



US00D770442S

(12) **United States Design Patent** (10) **Patent No.:** **US D770,442 S**
Tu (45) **Date of Patent:** **** Nov. 1, 2016**

(54) **LAPTOP**
(71) Applicant: **Lenovo (Beijing) Co., Ltd.**, Beijing (CN)
(72) Inventor: **Chuantao Tu**, Beijing (CN)
(73) Assignee: **Lenovo (Beijing) Co., Ltd.**, Beijing (CN)
(**) Term: **14 Years**
(21) Appl. No.: **29/520,510**
(22) Filed: **Mar. 16, 2015**

D615,539 S * 5/2010 Jen D14/315
D630,221 S * 1/2011 Sogabe D14/315
D723,542 S * 3/2015 Sohn D14/315

* cited by examiner

Primary Examiner — Freda S Nunn

(74) *Attorney, Agent, or Firm* — Oppedahl Patent Law Firm LLC

(30) **Foreign Application Priority Data**

Sep. 30, 2014 (CN) 2014 3 0372871

(51) **LOC (10) Cl.** **14-02**

(52) **U.S. Cl.**
USPC **D14/315**

(58) **Field of Classification Search**
USPC D14/315-327; D18/1, 2, 7, 11;
235/145 A, 145 R; 341/22, 23; 345/104,
345/156, 168, 169, 173; 361/679.08,
361/679.09, 679.11, 679.26, 679.27
CPC G06F 1/16; G06F 1/1616; G06F 1/1626;
G06F 1/1632; G06F 1/1613; G06F 1/1601;
G06F 1/1618; G06F 1/162; G06F 1/166;
G06F 1/1654; G06F 1/1681; G06F 1/1637;
G06F 1/1688; H01R 35/02; H03M 11/00;
G09B 13/04; H03K 17/94; G09G 5/00;
F16M 11/10; H05K 5/00; H04M 1/0237
See application file for complete search history.

(56) **References Cited**

U.S. PATENT DOCUMENTS

D343,407 S * 1/1994 Kando D14/315
6,775,129 B1 * 8/2004 Ghosh G06F 1/162
361/679.09
6,785,128 B1 * 8/2004 Yun G06F 1/162
361/679.09

(57) **CLAIM**

The ornamental design for the laptop, as shown and described.

DESCRIPTION

FIG. 1 is a front view of a laptop showing my new design;
FIG. 2 is rear view thereof;
FIG. 3 is a an enlarged detailed section thereof as indicated in FIG. 2;
FIG. 4 is a left side view thereof;
FIG. 5 is an enlarged detailed section thereof as indicated in FIG. 4;
FIG. 6 is a right side view thereof;
FIG. 7 is a top view thereof;
FIG. 8 is an enlarged detailed section thereof as indicated in FIG. 7;
FIG. 9 is a bottom view thereof;
FIG. 10 is an enlarged detailed section thereof as indicated in FIG. 9;
FIG. 11 is a perspective view thereof; and,
FIG. 12 is an enlarged detailed section thereof as indicated in FIG. 11.

1 Claim, 7 Drawing Sheets

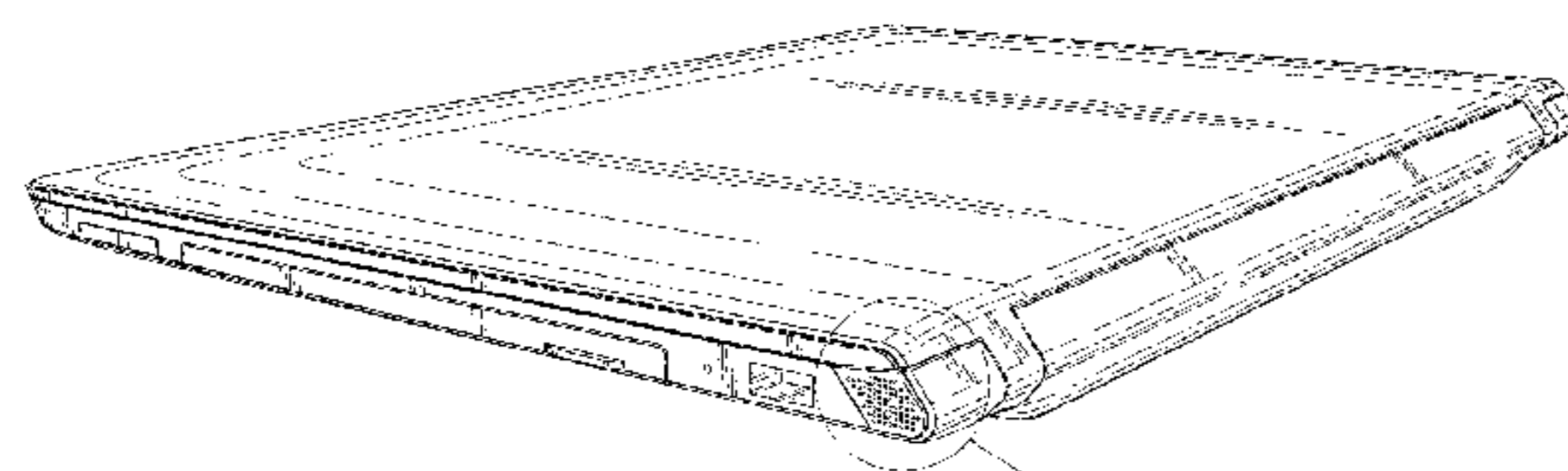
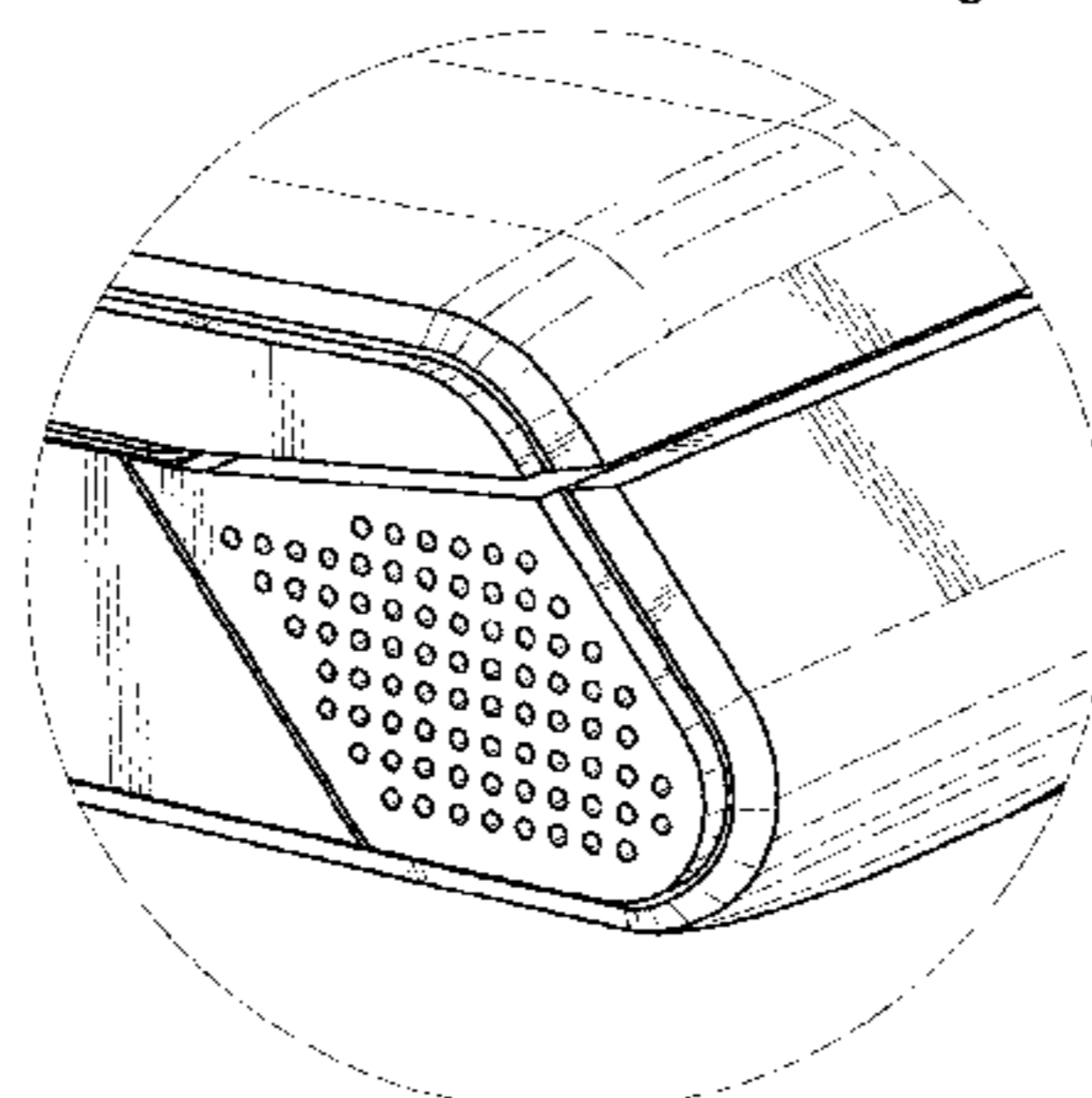


Figure 12



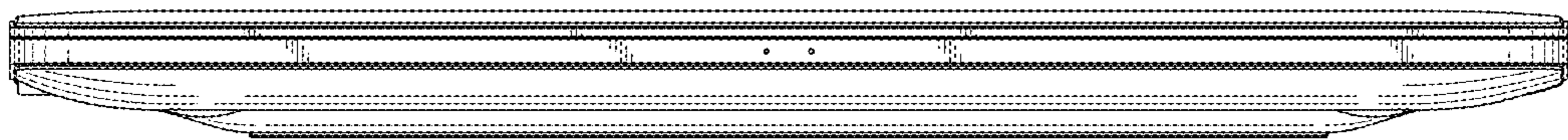


Figure 1

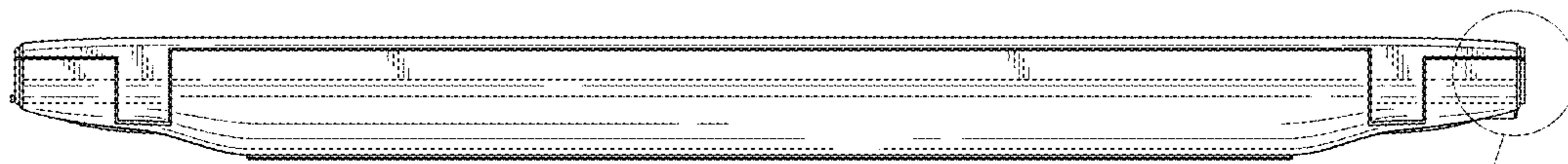


Figure 2

Figure 3

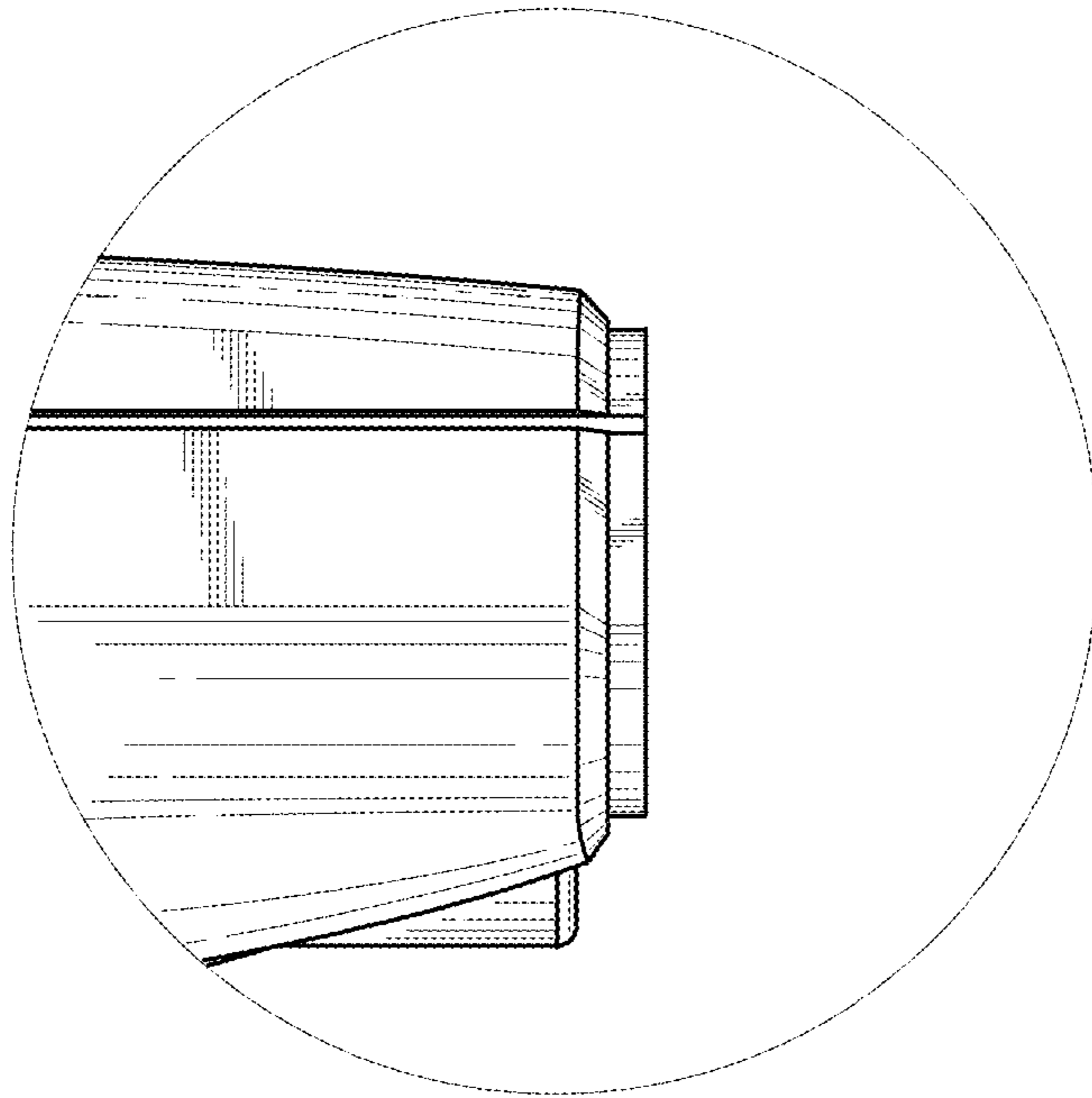


Figure 3

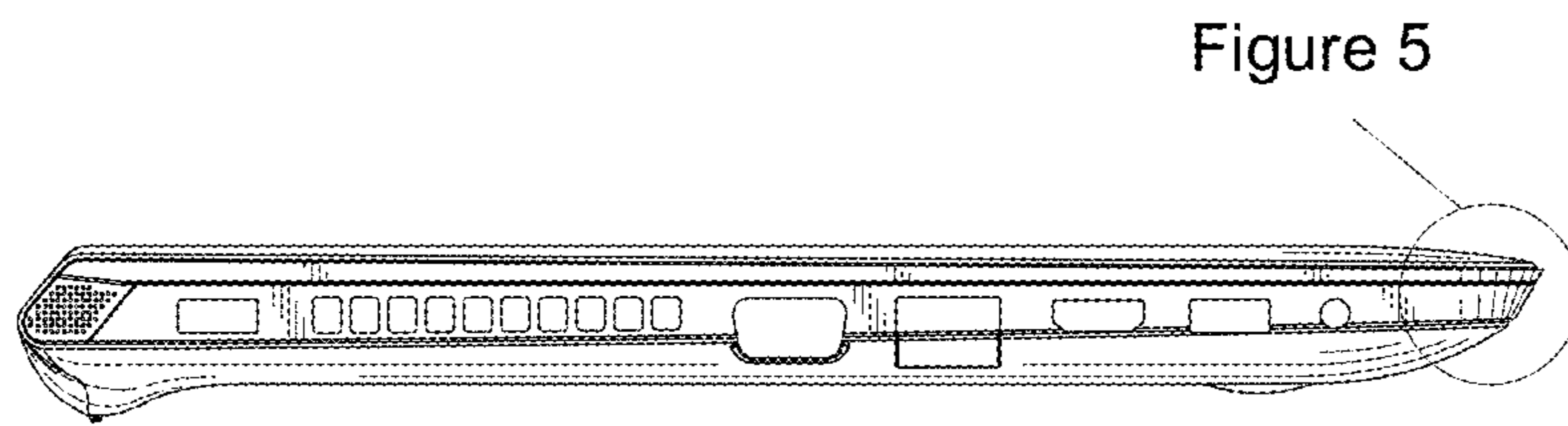


Figure 4

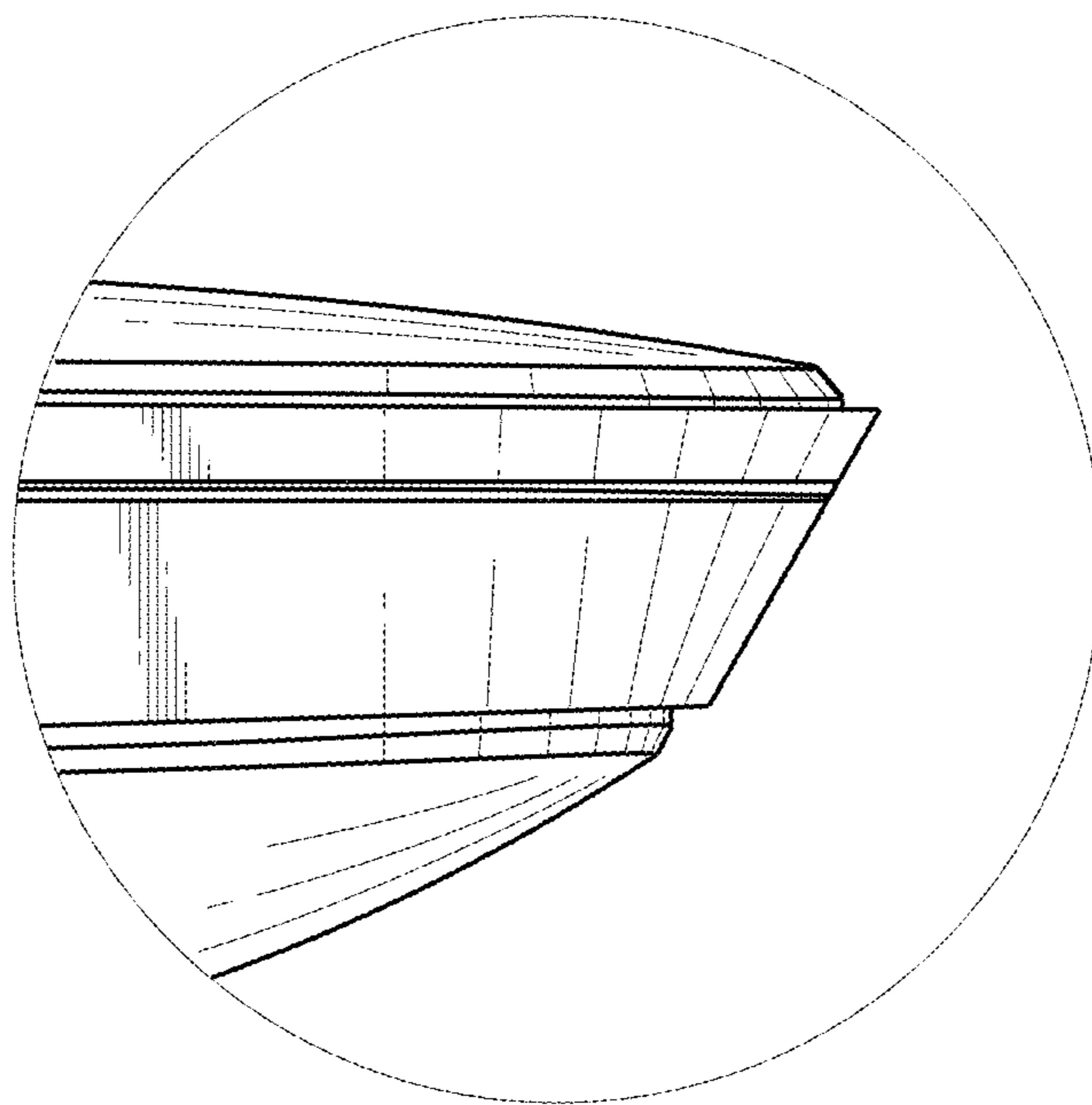


Figure 5

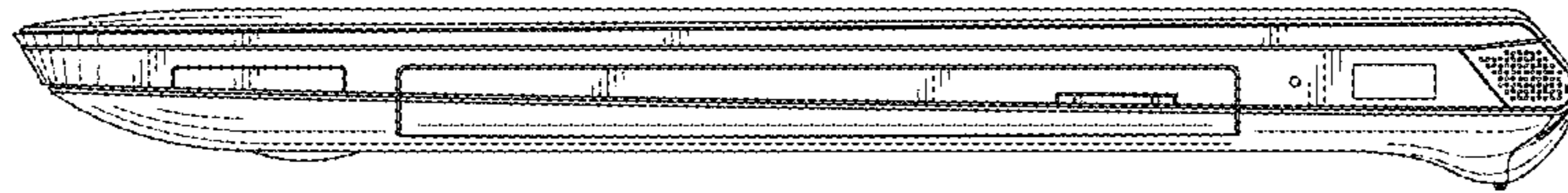


Figure 6

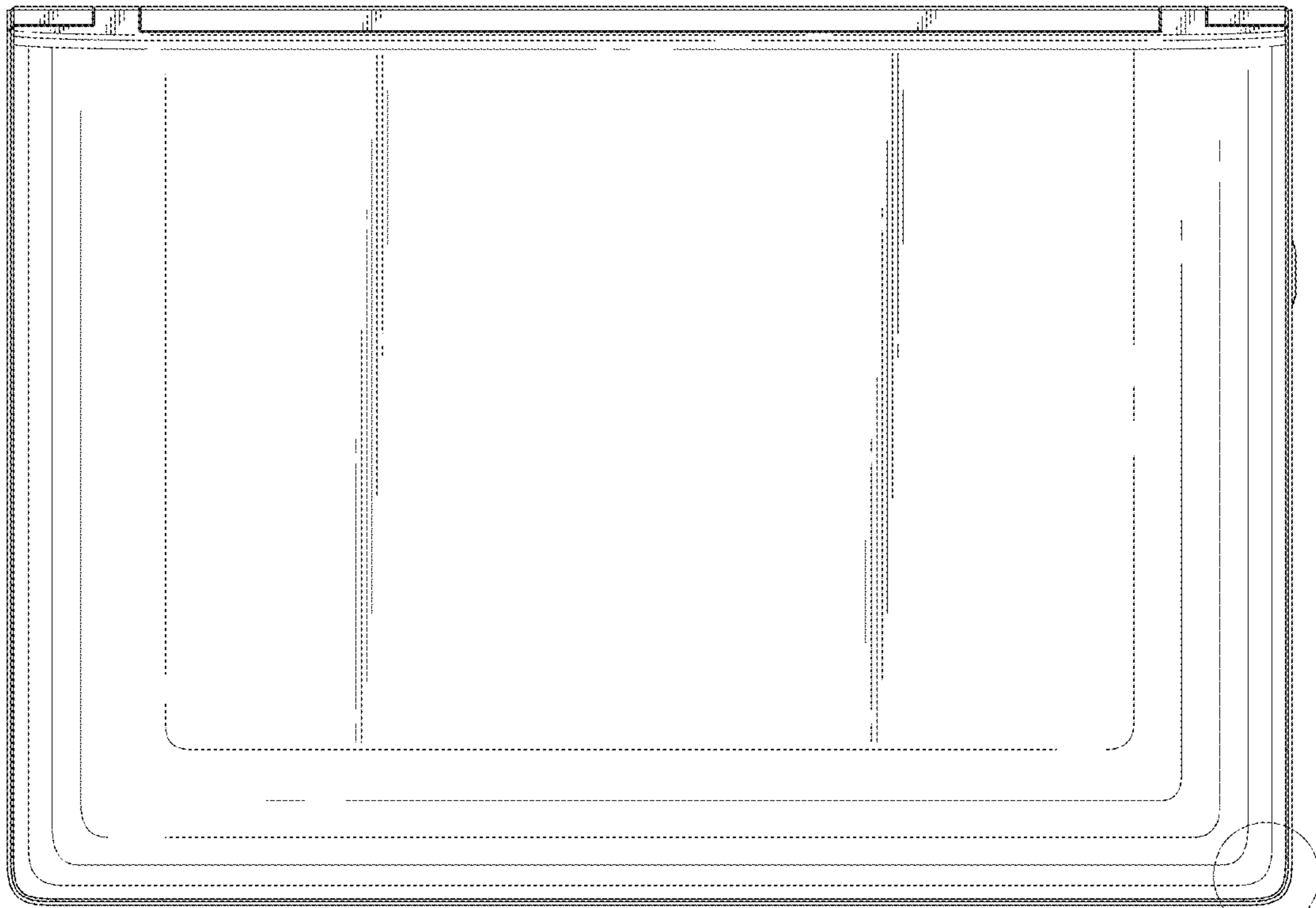


Figure 7

Figure 8

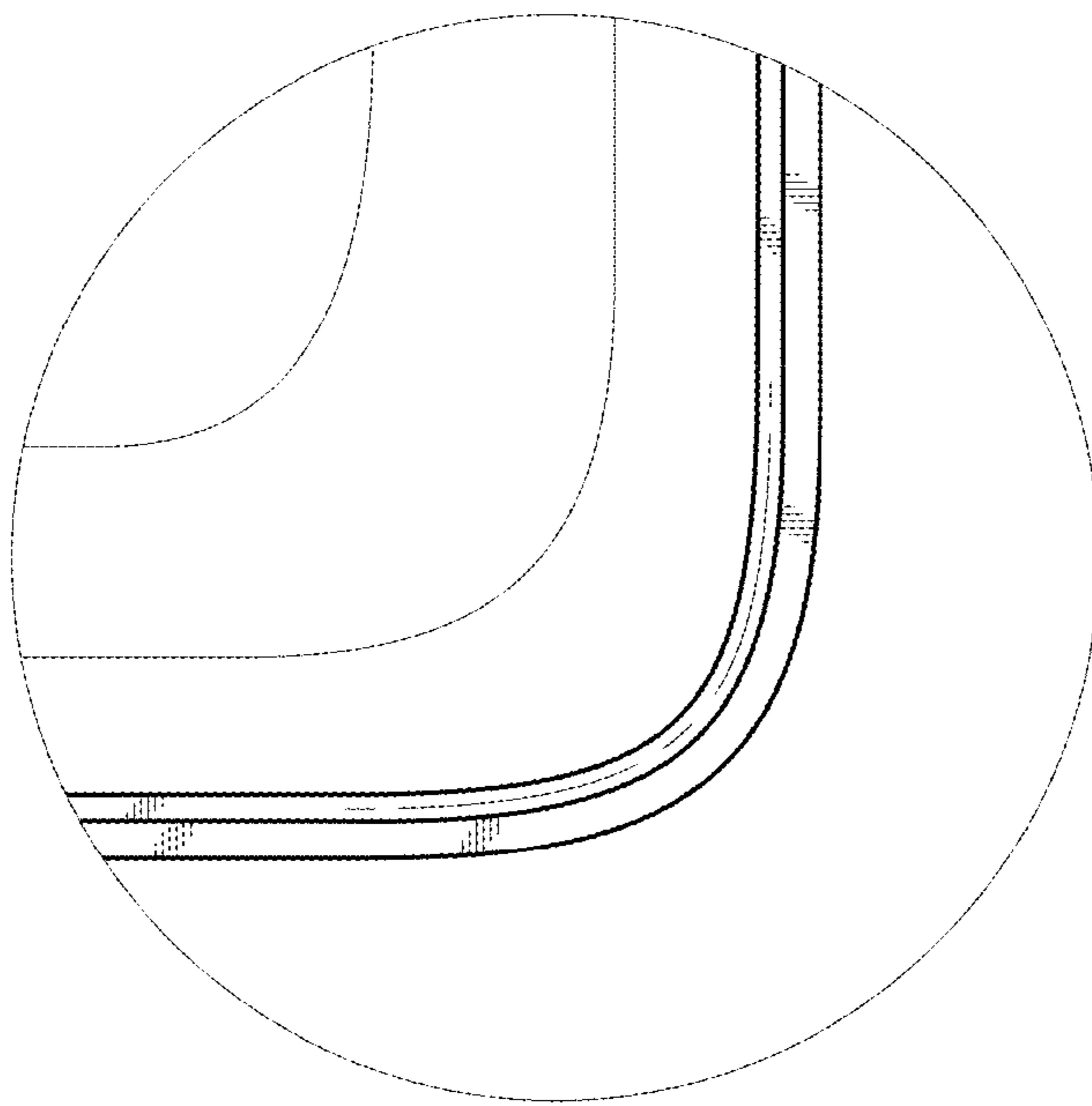


Figure 8

Figure 10

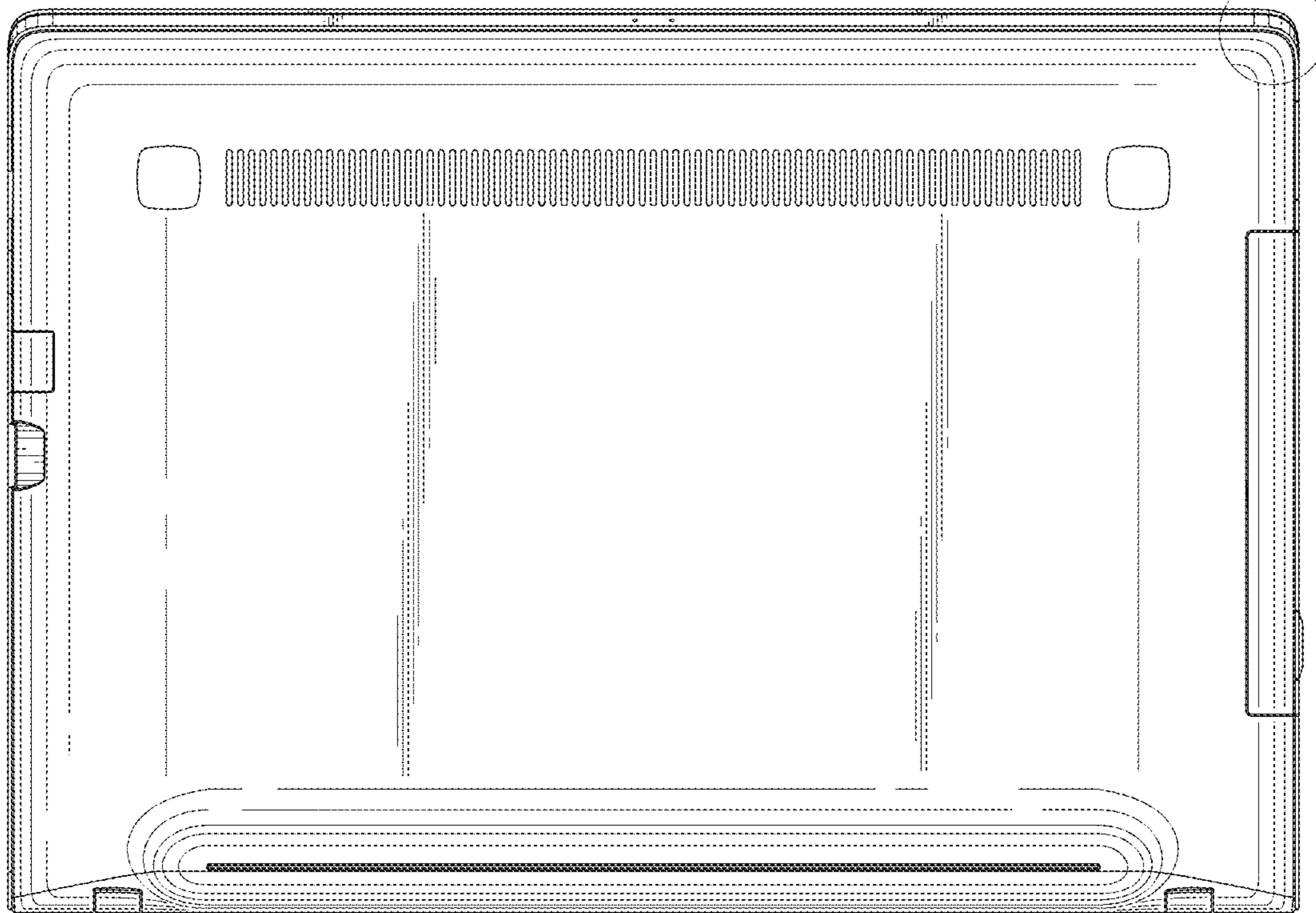


Figure 9

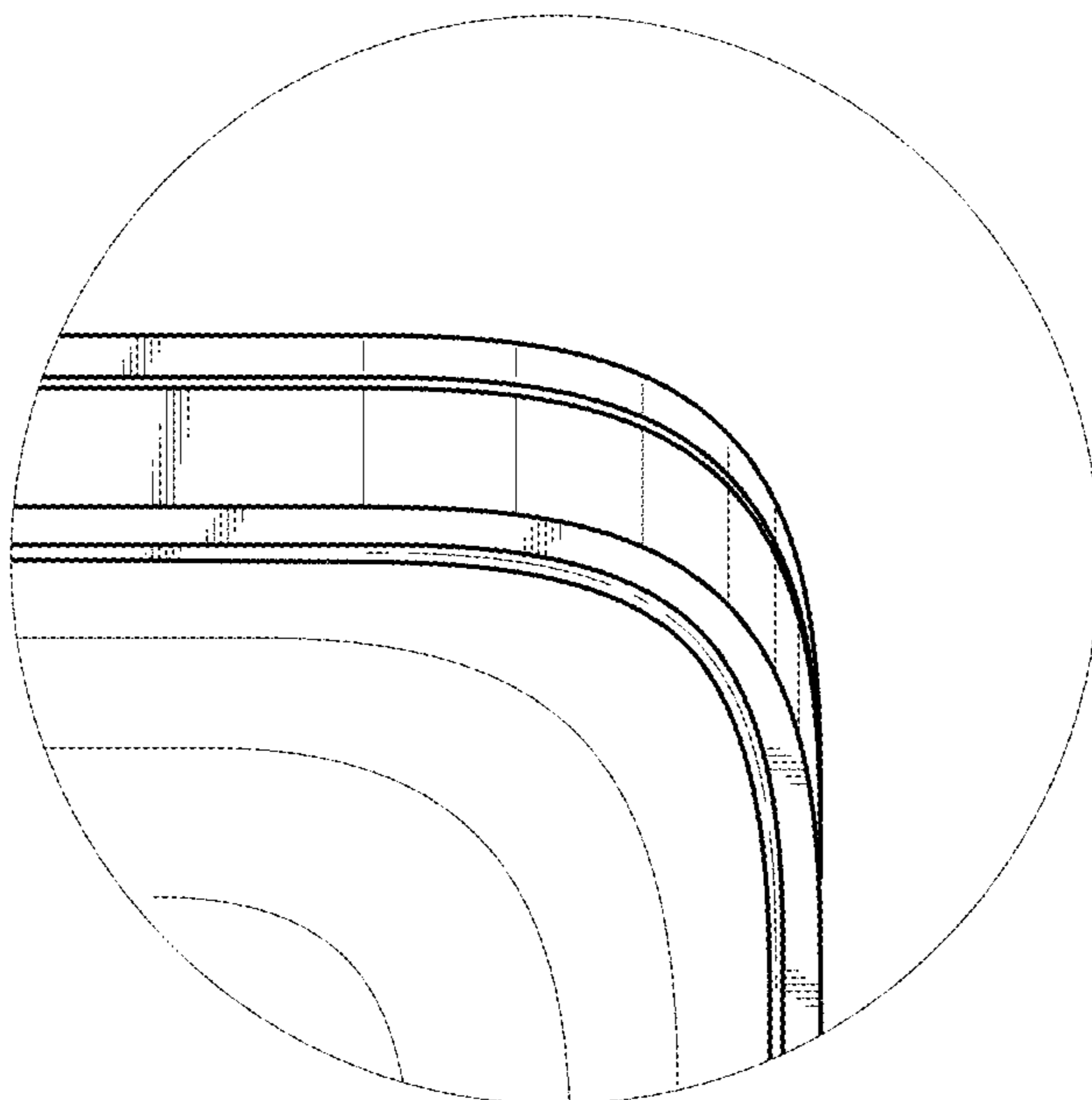


Figure 10

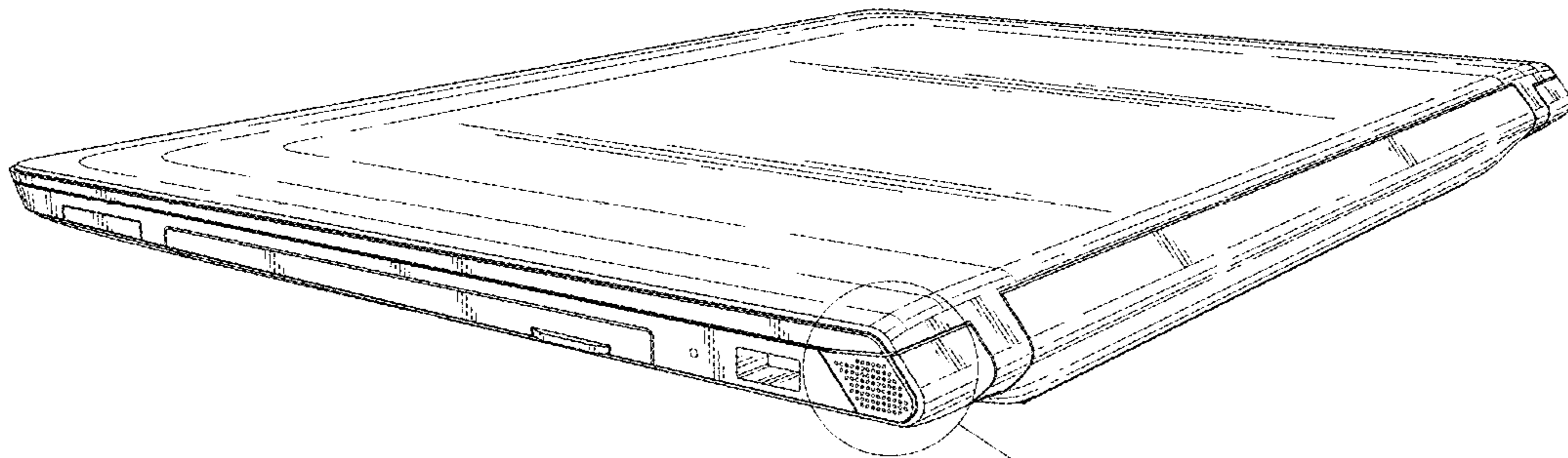


Figure 11

Figure 12

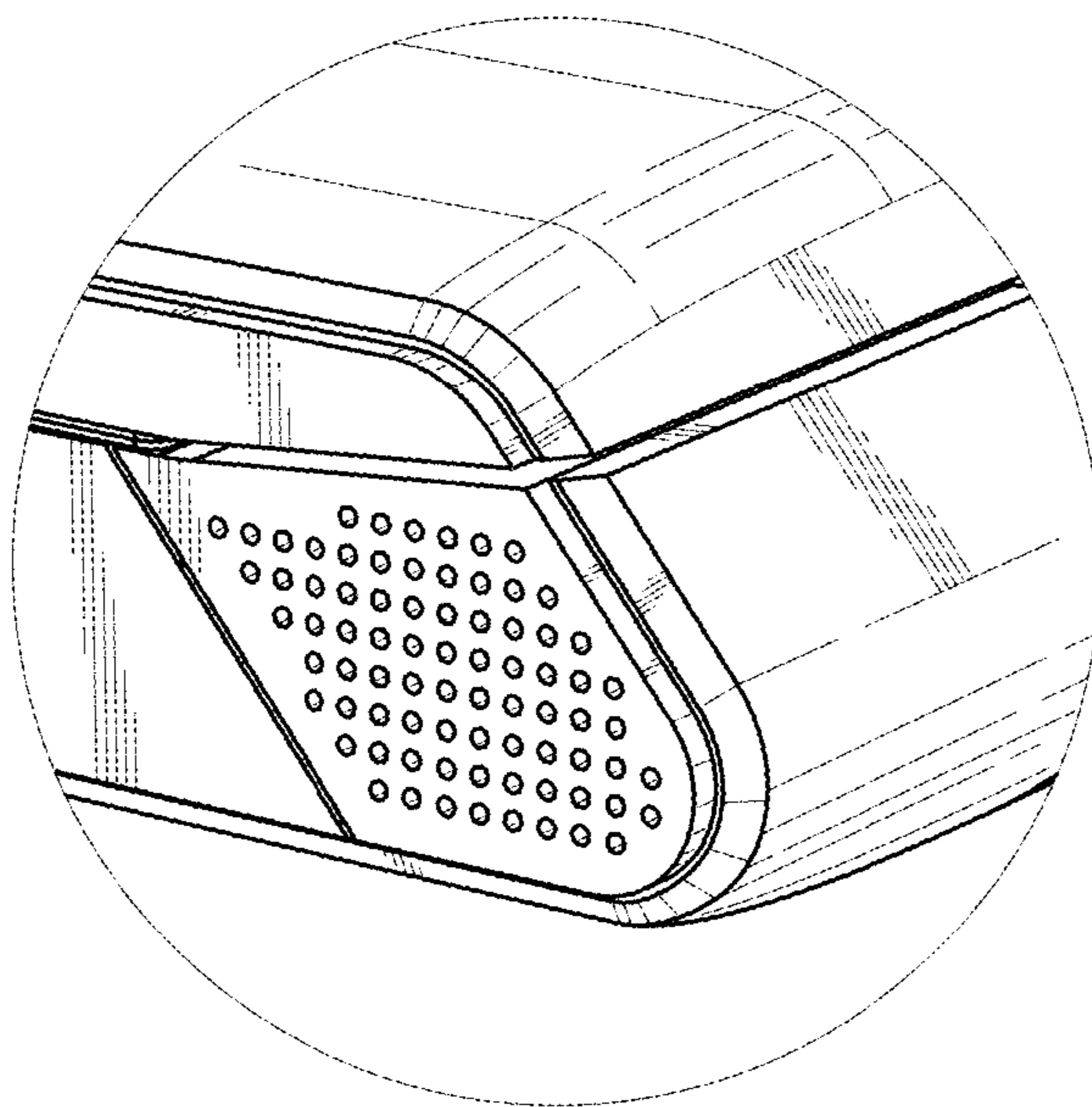


Figure 12