



US00D770441S

(12) **United States Design Patent** (10) **Patent No.:** **US D770,441 S**  
**Kong** (45) **Date of Patent:** **\*\* Nov. 1, 2016**

(54) **PORTABLE COMPUTING DEVICE**

(71) Applicant: **Intel Corporation**, Santa Clara, CA (US)

(72) Inventor: **Duck Young Kong**, Beaverton, OR (US)

(73) Assignee: **Intel Corporation**, Santa Clara, CA (US)

(\*\*) Term: **14 Years**

(21) Appl. No.: **29/513,095**

(22) Filed: **Dec. 26, 2014**

(51) **LOC (10) Cl.** ..... **14-02**

(52) **U.S. Cl.**  
USPC ..... **D14/315**

(58) **Field of Classification Search**  
USPC ..... D14/315-318, 327, 341-346, 485-495;  
D18/24-33; D20/11-28  
CPC .. G06F 3/0481; G06F 3/048; G06F 3/04817;  
G06F 3/04847; G06F 3/04812; G06F 1/1601;  
G06F 1/1616; H04N 21/41407  
See application file for complete search history.

(56) **References Cited**

**U.S. PATENT DOCUMENTS**

D694,748 S *	12/2013	Okuley	.....	D14/315
D705,222 S *	5/2014	Leonard	.....	D14/315
D708,176 S *	7/2014	Akana	.....	D14/315
D716,794 S *	11/2014	Nagao	.....	D14/315
D717,790 S *	11/2014	Kim	.....	D14/315
D720,741 S *	1/2015	Leonard	.....	D14/315
D728,561 S *	5/2015	Park	.....	D14/341
D749,561 S *	2/2016	Okuley	.....	D14/315
D755,781 S *	5/2016	Schoenith	.....	D14/315
D757,715 S *	5/2016	Choi	.....	D14/341
D758,359 S *	6/2016	Reed	.....	D14/315

\* cited by examiner

*Primary Examiner* — Mary Ann Calabrese

*Assistant Examiner* — Jennifer L Rempfer

(74) *Attorney, Agent, or Firm* — Patent Capital Group

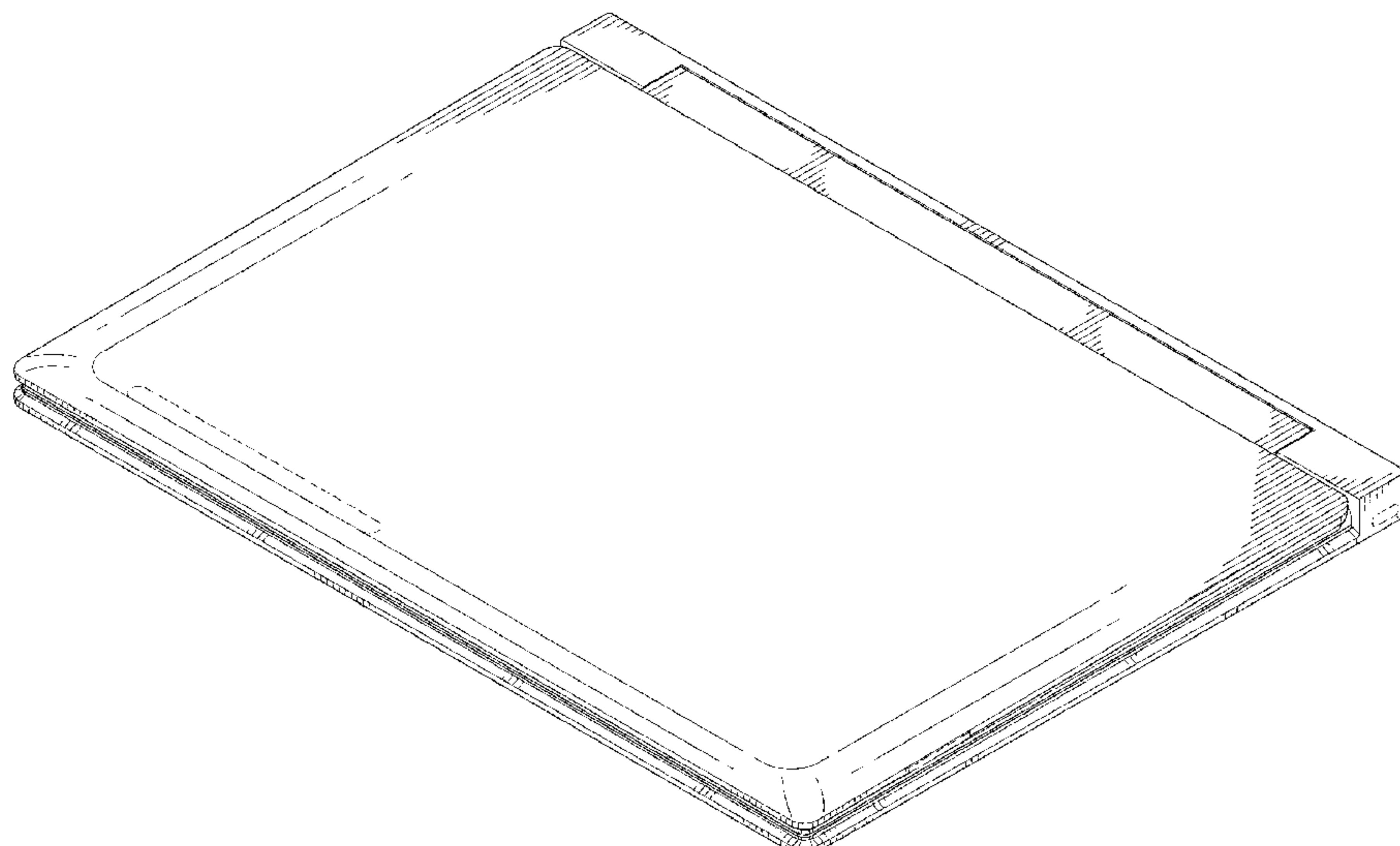
(57) **CLAIM**

The ornamental design for a portable computing device, as shown and described.

**DESCRIPTION**

FIG. 1 is a perspective view illustrating a design for a docking base portion of a portable computing device shown separated for clarity of disclosure;  
 FIG. 2 is a front view thereof;  
 FIG. 3 is a back view thereof;  
 FIG. 4 is a side view thereof;  
 FIG. 5 is another side view thereof;  
 FIG. 6 is a top view thereof;  
 FIG. 7 is a bottom view thereof;  
 FIG. 8 is a perspective view illustrating a design for a tablet portion of a portable computing device shown separated for clarity of disclosure;  
 FIG. 9 is a front view thereof;  
 FIG. 10 is a back view thereof;  
 FIG. 11 is a side view thereof;  
 FIG. 12 is another side view thereof;  
 FIG. 13 is a top view thereof;  
 FIG. 14 is a bottom view thereof;  
 FIG. 15 is a perspective view illustrating a design for a tablet portion coupled to a docking base portion of a portable computing device in a closed configuration;  
 FIG. 16 is a close-up perspective view of a portion thereof;  
 and,  
 FIG. 17 is a side view thereof.  
 The broken lines and the unshaded regions bounded by broken lines of the preceding FIGURES illustrate boundaries for the FIGURES; however, the broken lines and the unshaded regions bounded by broken lines form no part of the claimed design.

**1 Claim, 13 Drawing Sheets**



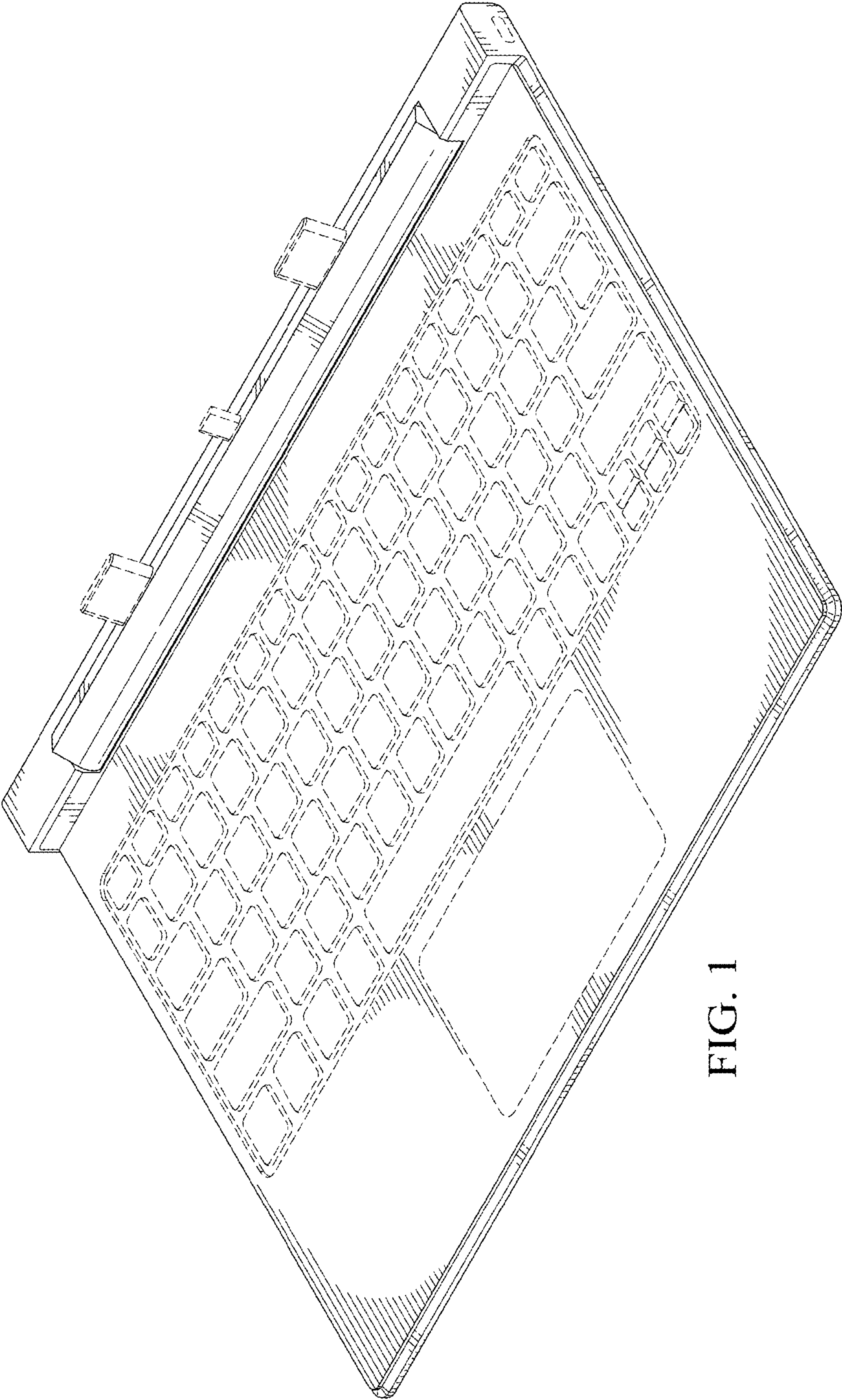


FIG. 1

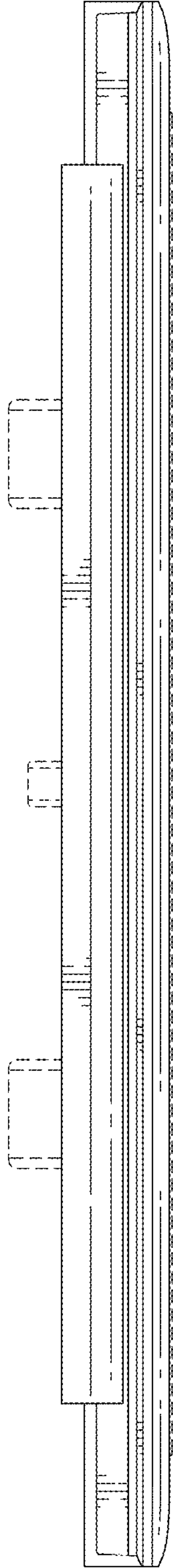


FIG. 2

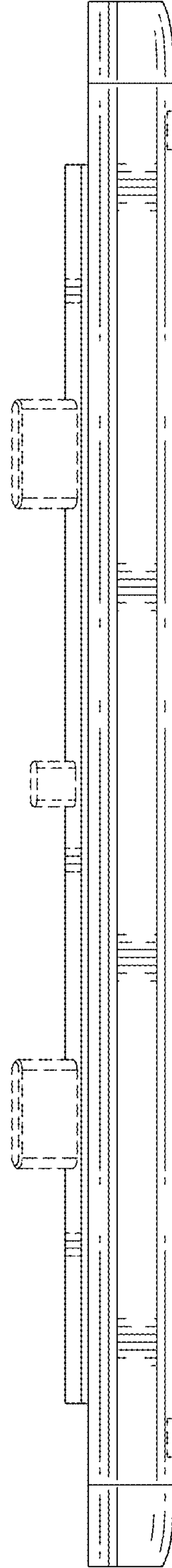


FIG. 3



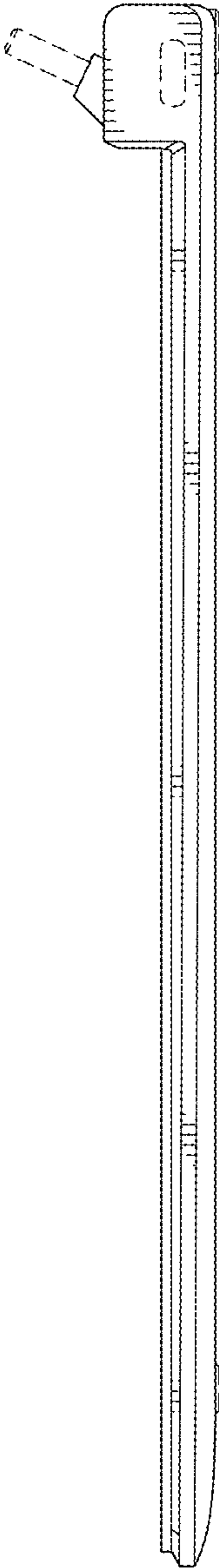


FIG. 4

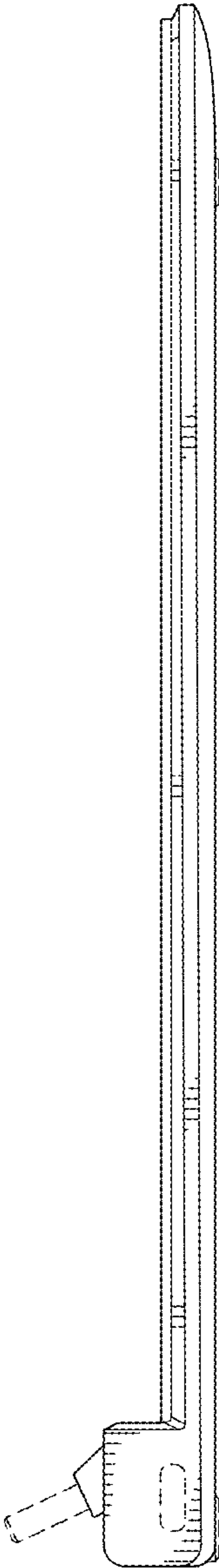


FIG. 5

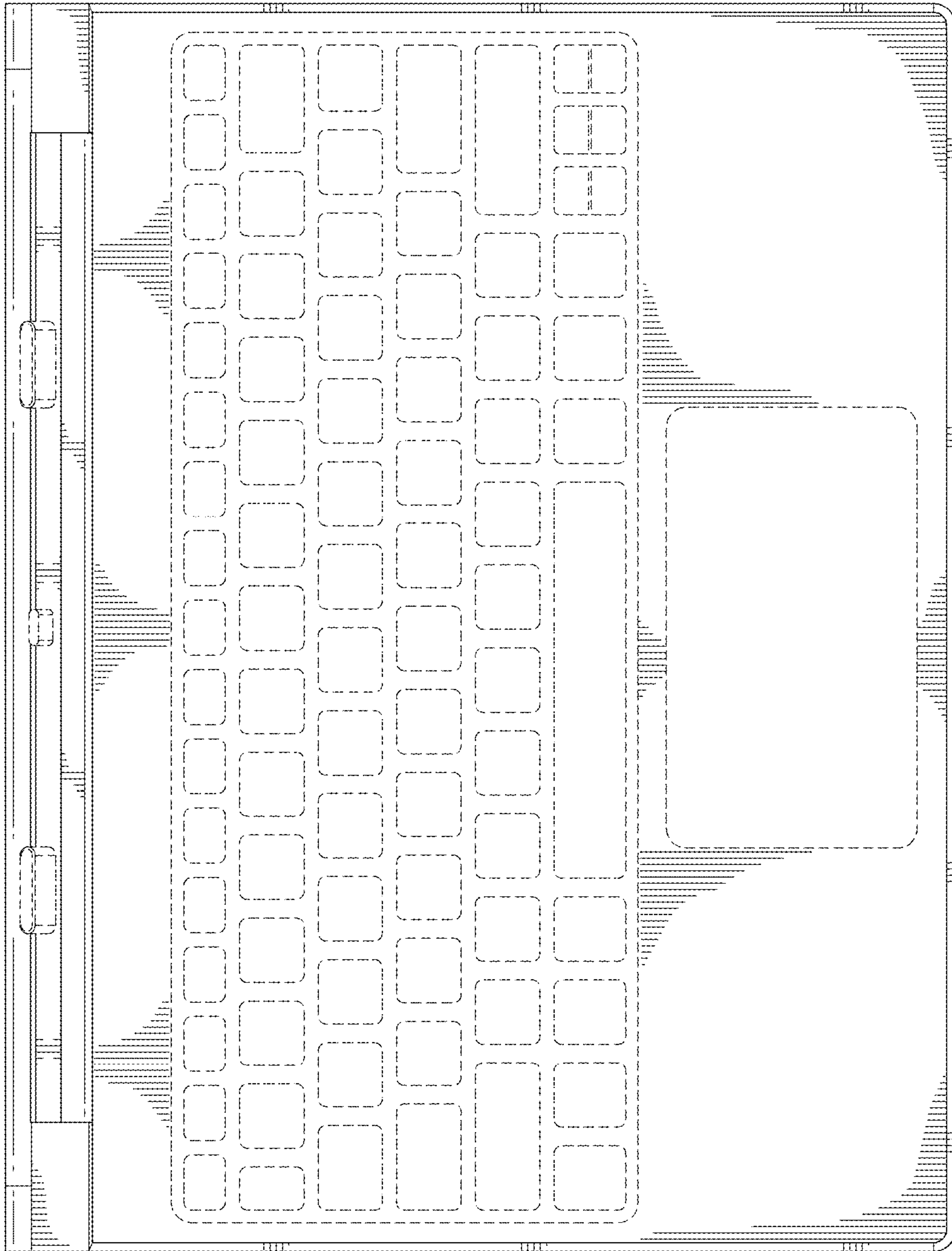


FIG. 6

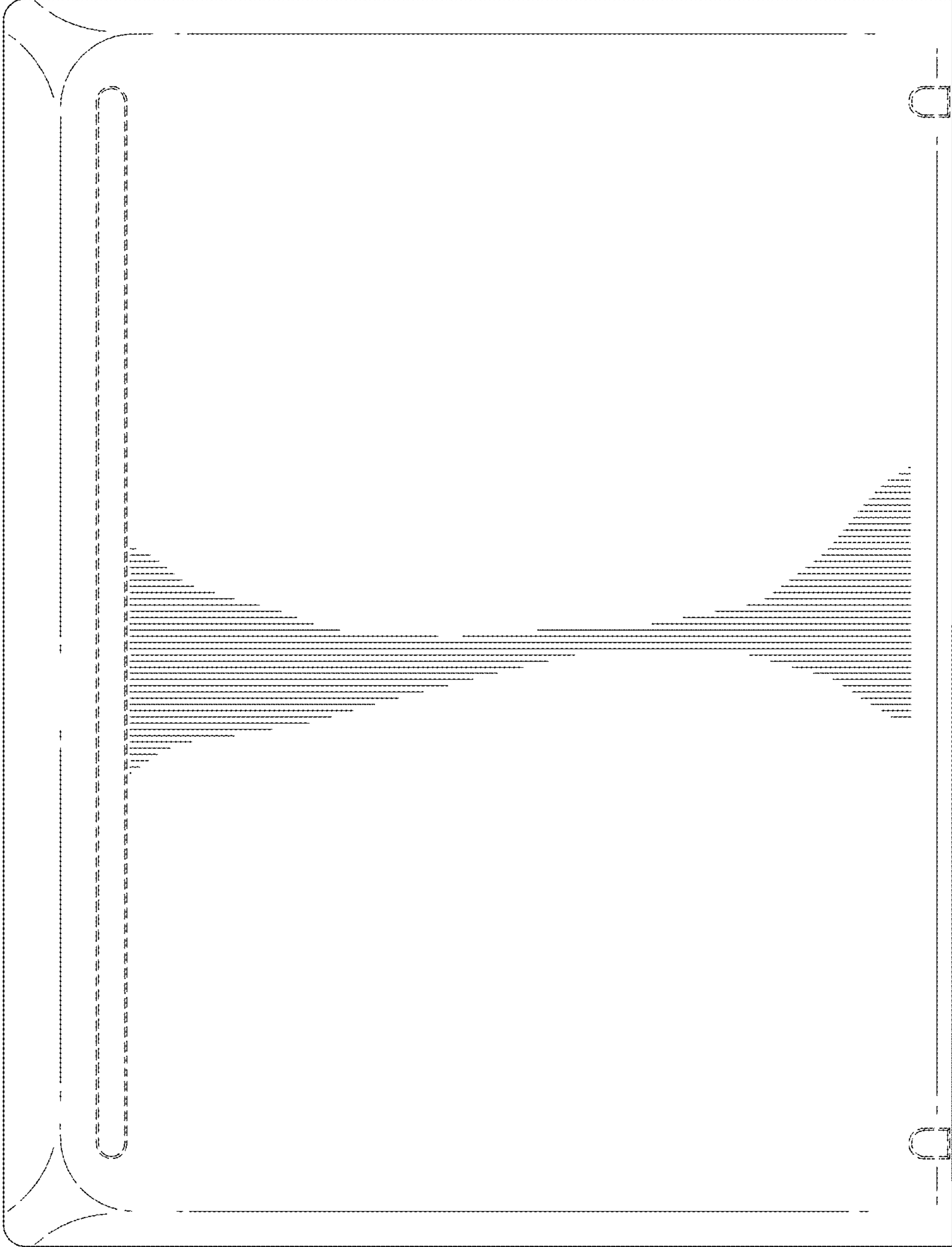


FIG. 7

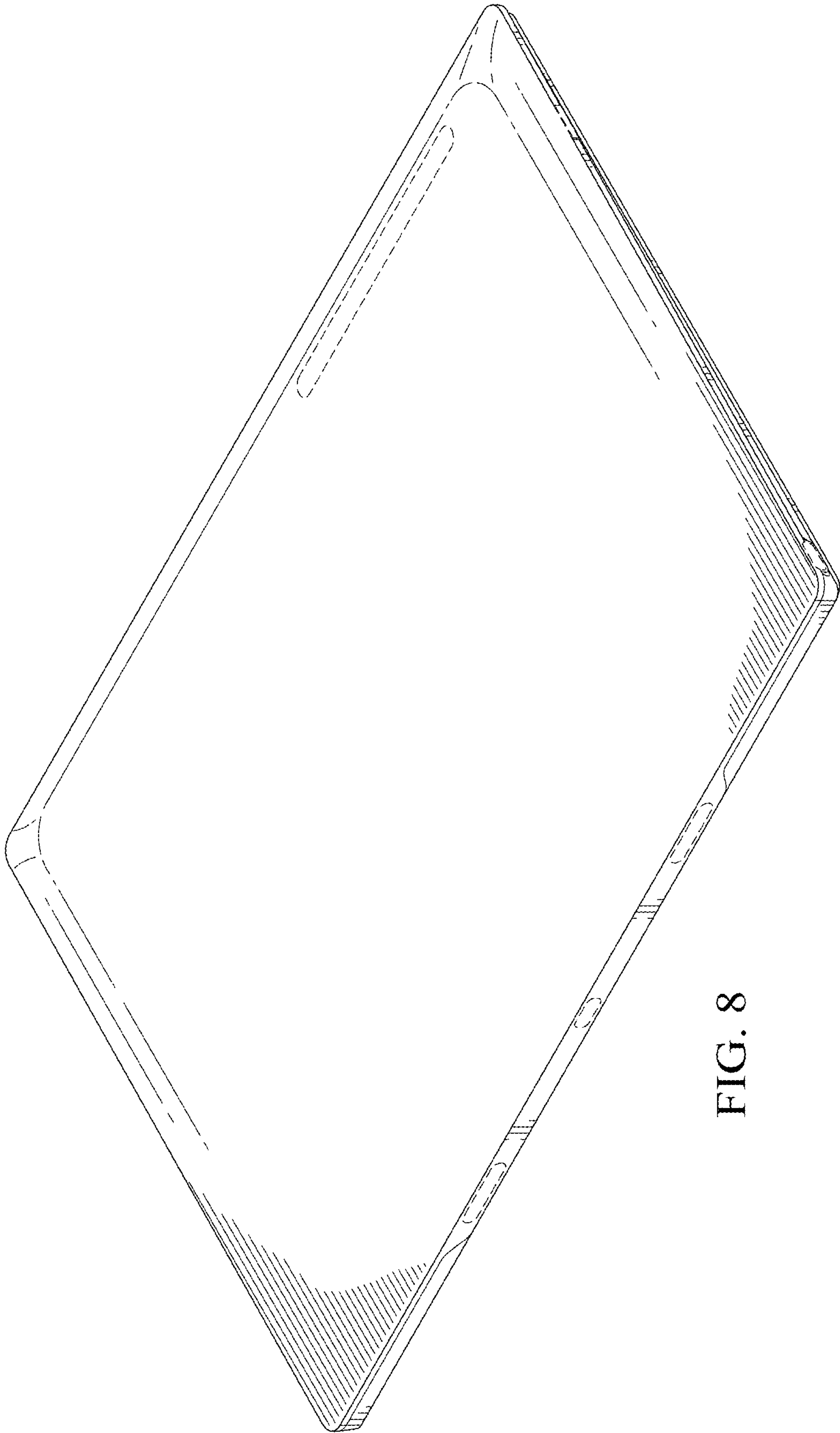


FIG. 8

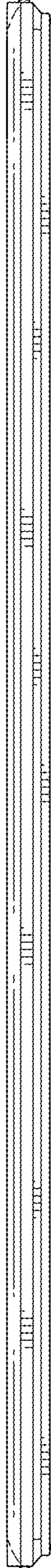


FIG. 9



FIG. 10



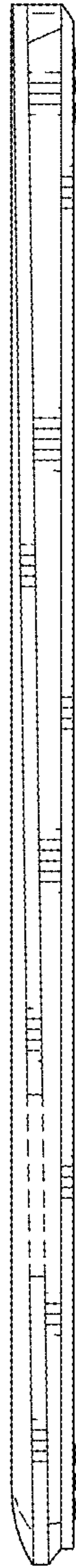


FIG. 11

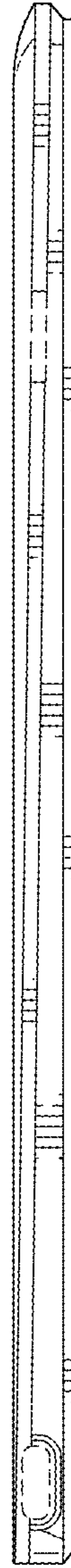


FIG. 12

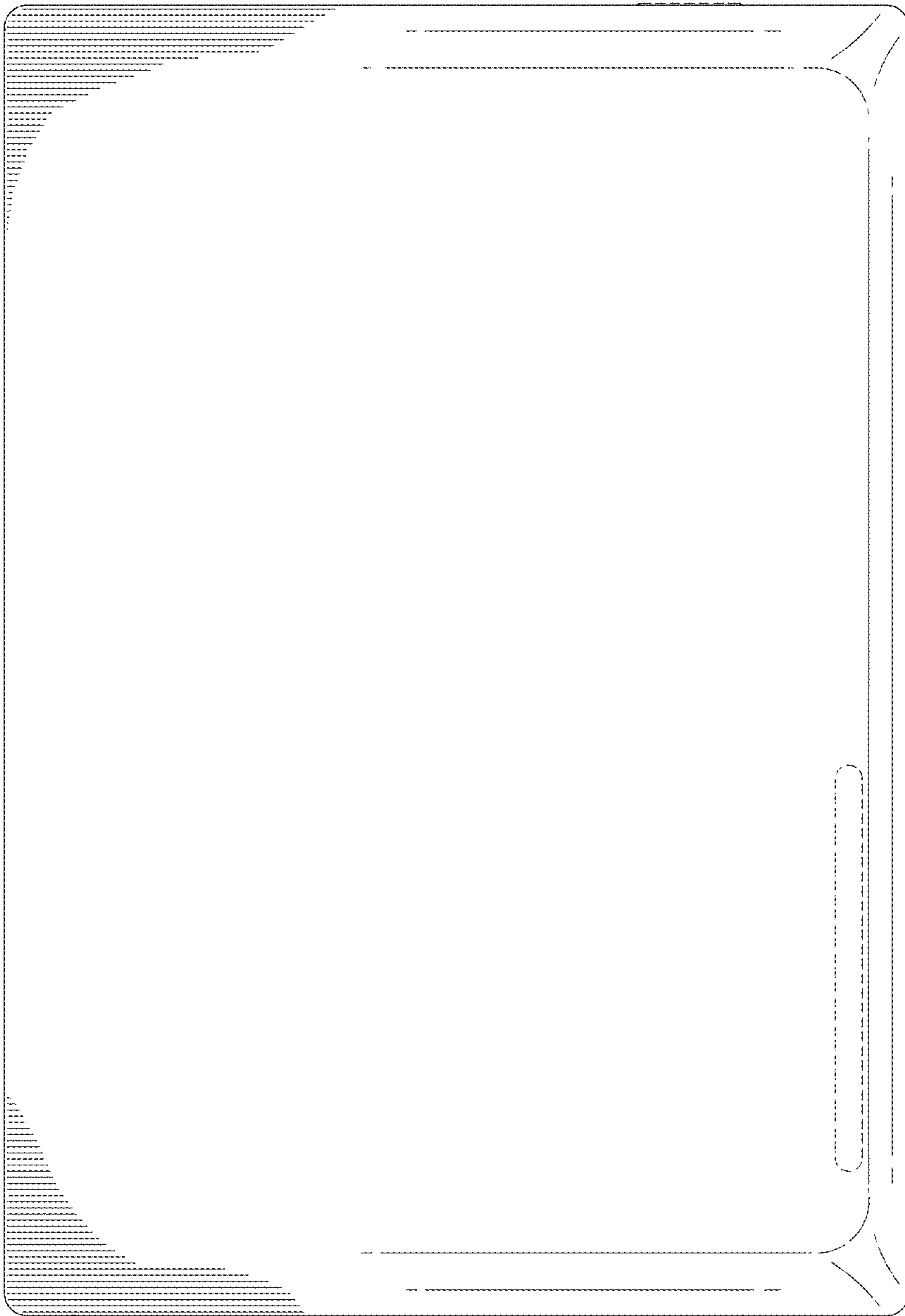


FIG. 13

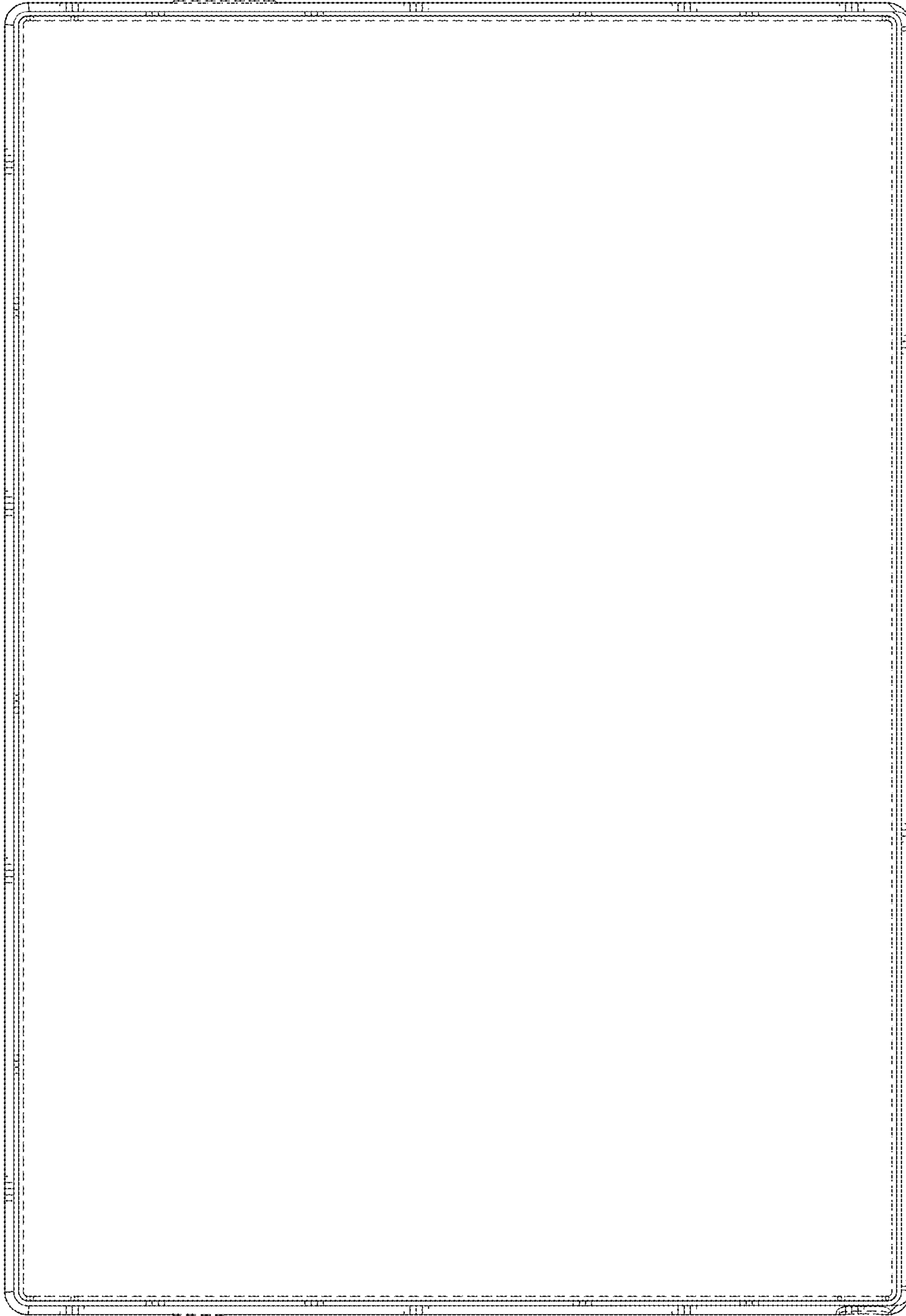


FIG. 14

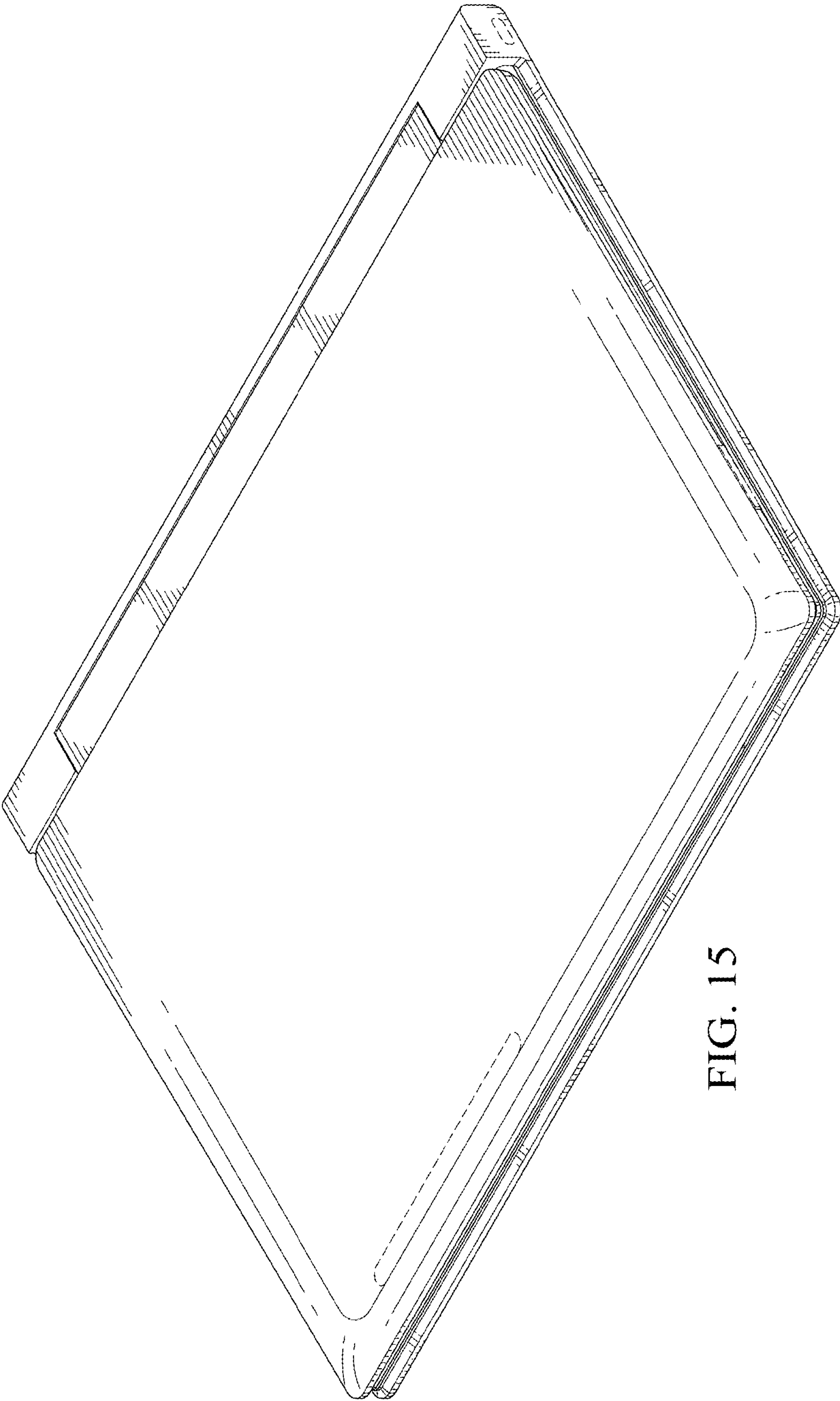


FIG. 15



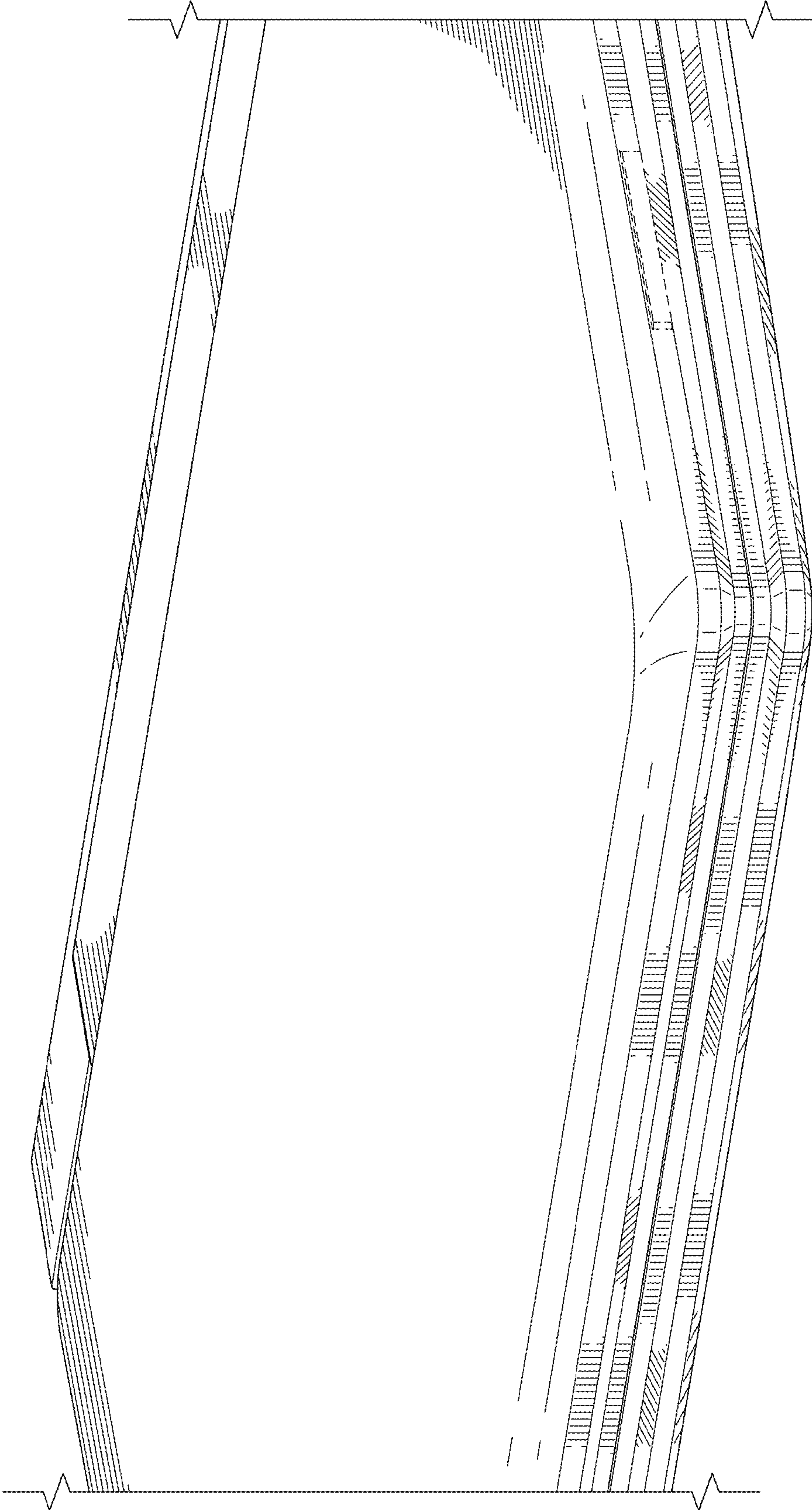


FIG. 16

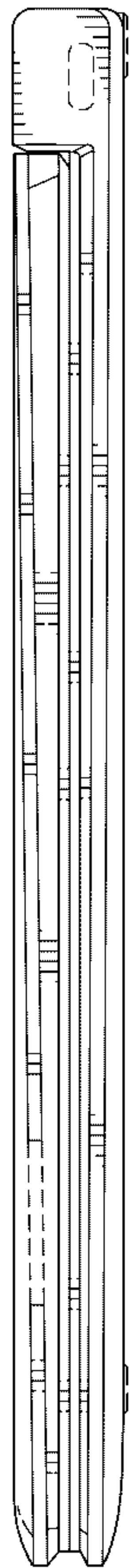


FIG. 17