



US00D770438S

(12) **United States Design Patent** (10) **Patent No.:** **US D770,438 S**
Schwarz et al. (45) **Date of Patent:** **** Nov. 1, 2016**

(54) **TELEPHONE HOLDER**
(71) Applicant: **Unify GmbH & Co. KG**, Munich (DE)
(72) Inventors: **Dieter Schwarz**, Munich (DE); **Bram Van Krieken**, Munich (DE)
(73) Assignee: **Unify GmbH & Co. KG**, Munich (DE)
(**) Term: **15 Years**

D557,693 S * 12/2007 Kim D13/108
D558,192 S * 12/2007 Daly D14/251
D597,057 S * 7/2009 Sheppard D14/142
D597,058 S * 7/2009 Sheppard D14/142
D598,002 S * 8/2009 Sheppard D14/142
D613,263 S * 4/2010 Haberl D14/149
D681,027 S * 4/2013 Fuxen D14/251
D727,291 S * 4/2015 Hillenmayer et al.
D729,789 S * 5/2015 Jeon D14/251
D754,118 S * 4/2016 Leung D14/253
2005/0069126 A1* 3/2005 Xue H04M 1/12
379/454

(21) Appl. No.: **29/537,327**

* cited by examiner

(22) Filed: **Aug. 25, 2015**

Primary Examiner — Susan Bennett Hattan

(30) **Foreign Application Priority Data**

Assistant Examiner — Janice Hallmark

Feb. 27, 2015 (DE) 40 2015 000 399

(74) *Attorney, Agent, or Firm* — Buchanan Ingersoll & Rooney PC

(51) **LOC (10) Cl.** **14-03**

(52) **U.S. Cl.**
USPC **D14/251**

(58) **Field of Classification Search**
USPC D14/253, 251, 252, 447, 451, 452, 440, D14/434, 458, 432, 439, 457, 460, 238.1, D14/140, 142, 149, 217, 148, 140.8, 140.11, D14/209.1; D13/107, 108; D12/415, 223, D12/114; D3/218; D16/242–245, 250, 237; D6/675, 672, 673, 675.4, 553, 676, 310
CPC B60R 2011/0008; B60R 11/02; B60R 11/0241; B60R 11/0258; B60R 11/0252; B60R 2011/0294; F16M 11/00; F16M 11/04; F16M 11/041; F16M 11/02; F16M 11/06; H04M 1/02; A47F 7/022; B62J 11/00
See application file for complete search history.

(57) **CLAIM**

The ornamental design for a telephone holder, as shown and described.

DESCRIPTION

FIG. 1 is a perspective view of our telephone holder;
FIG. 2 is a front view thereof;
FIG. 3 is a rear view thereof;
FIG. 4 is a left side view thereof;
FIG. 5 is a right side view thereof;
FIG. 6 is a top view thereof; and,
FIG. 7 is a bottom view thereof.

(56) **References Cited**

U.S. PATENT DOCUMENTS

D279,185 S * 6/1985 Felix D14/251
D279,674 S * 7/1985 Harley D14/251
D407,710 S * 4/1999 Poulos D14/251

1 Claim, 7 Drawing Sheets

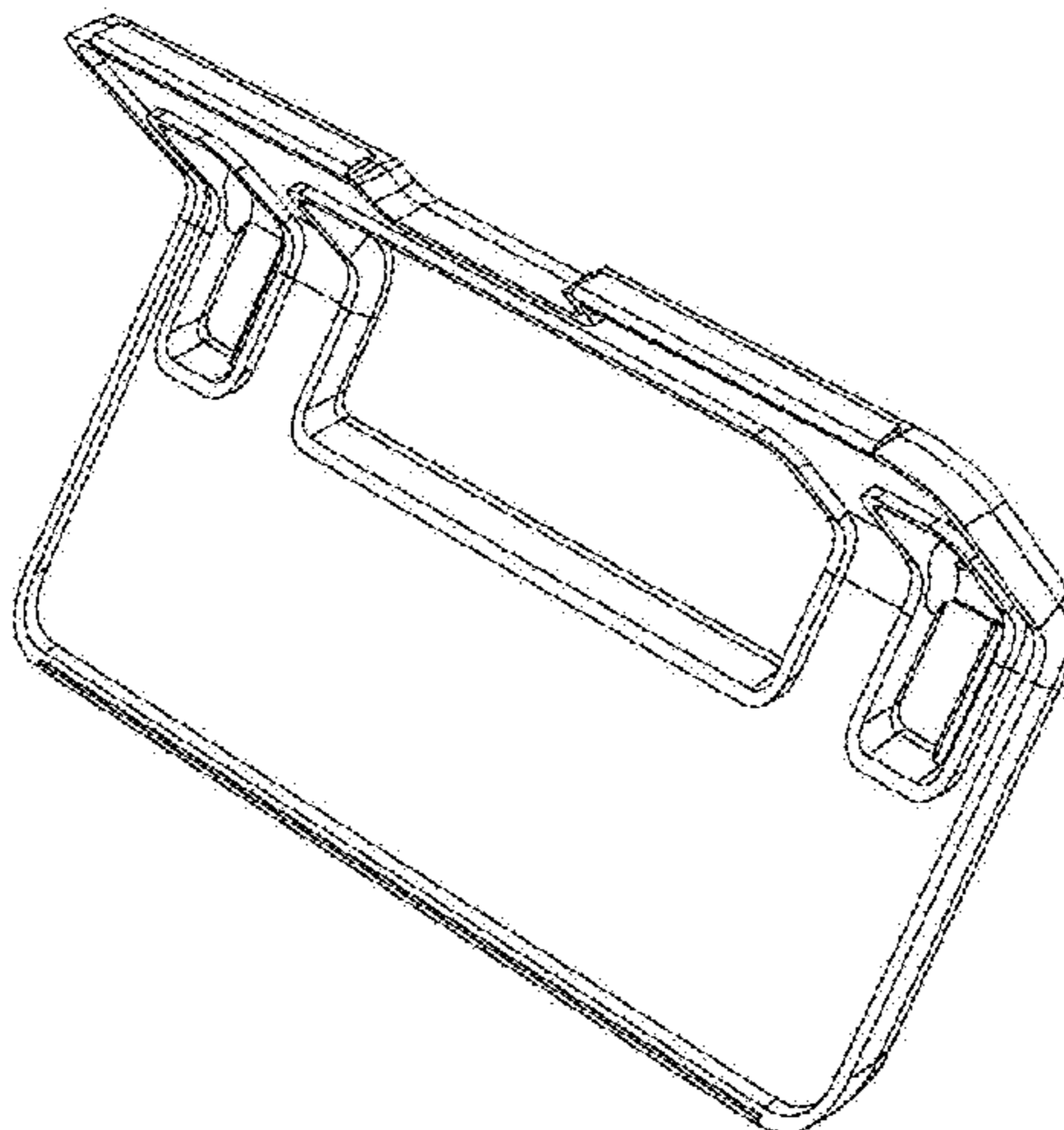


Figure 1

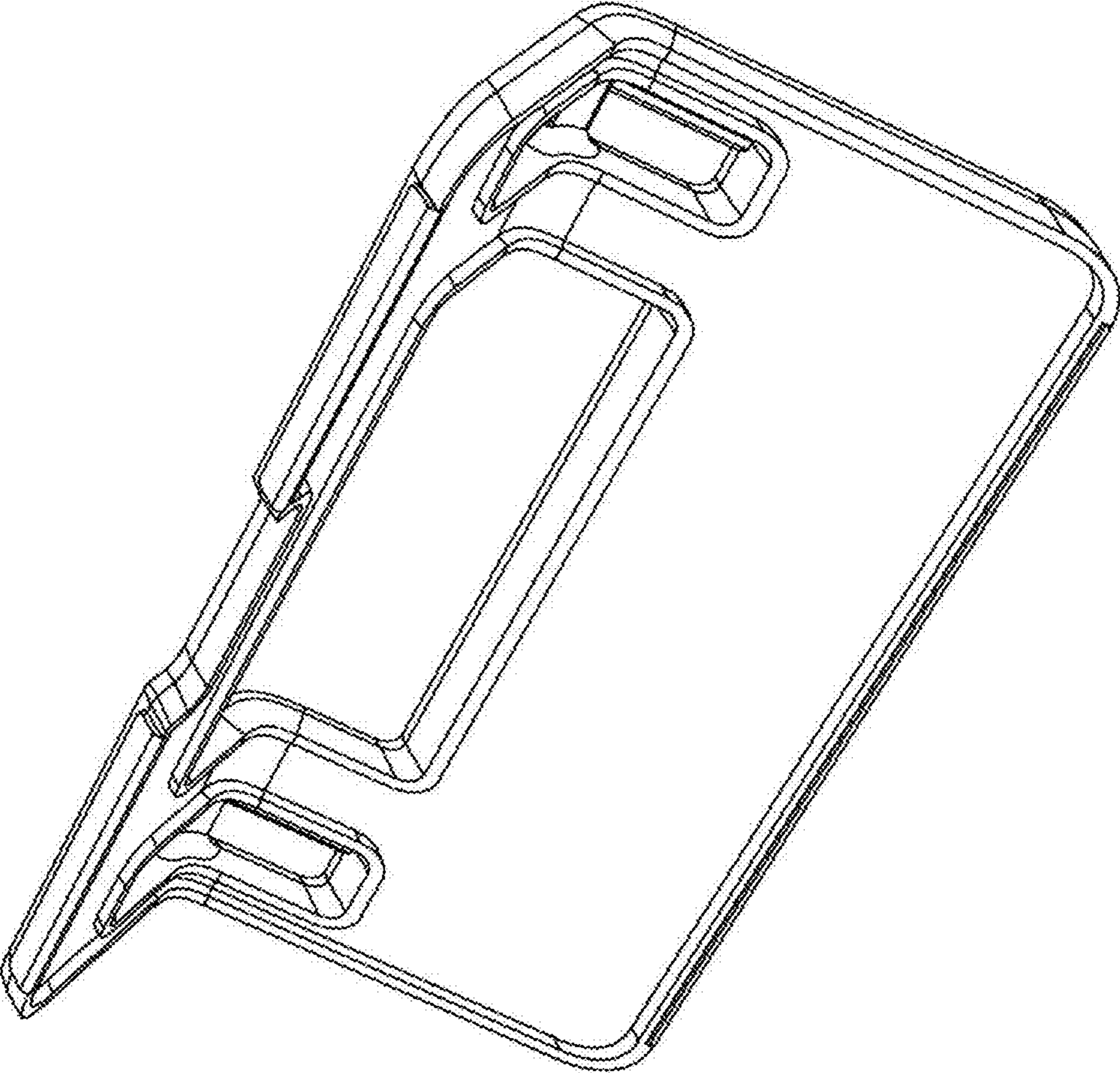


Figure 2

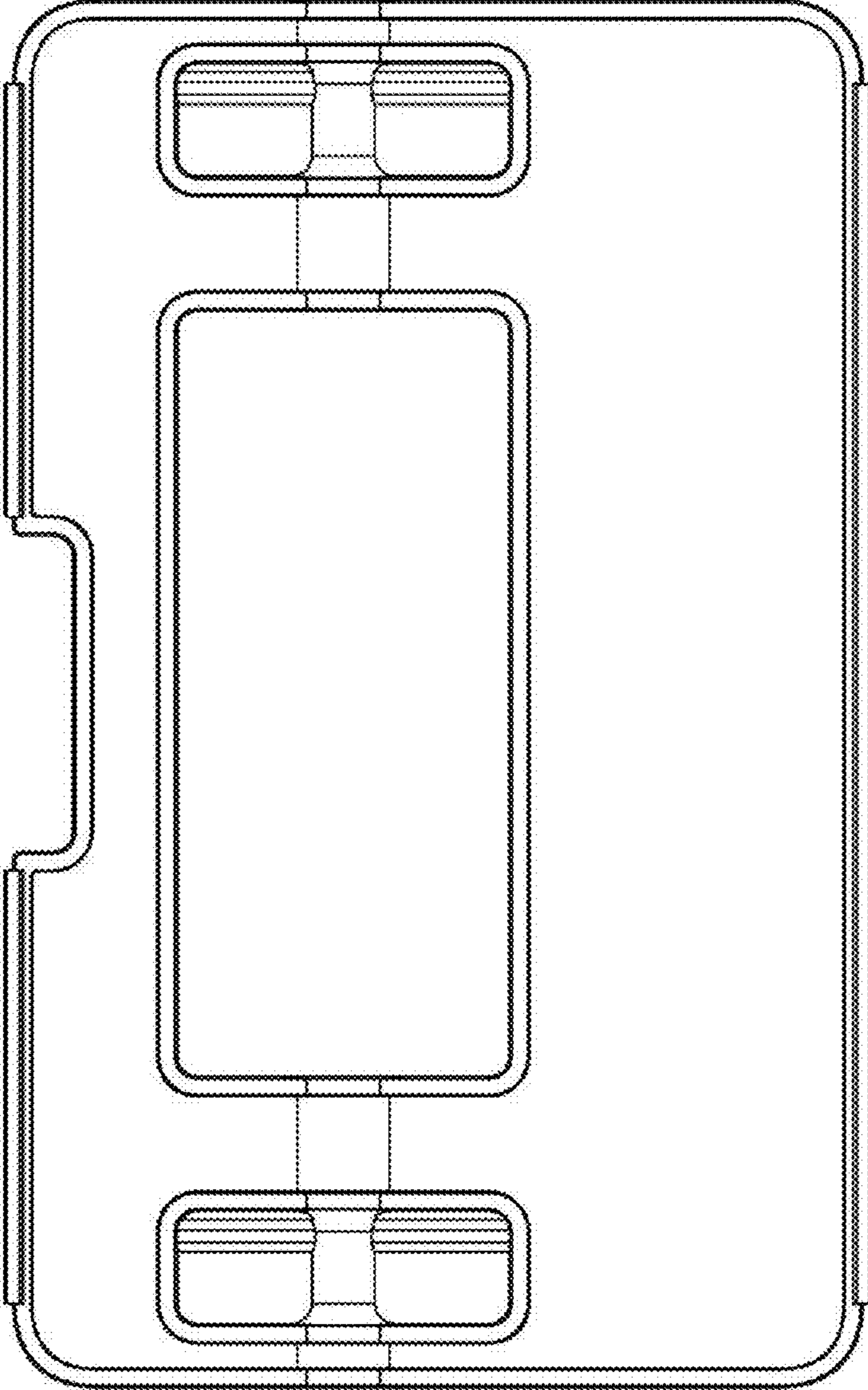


Figure 3

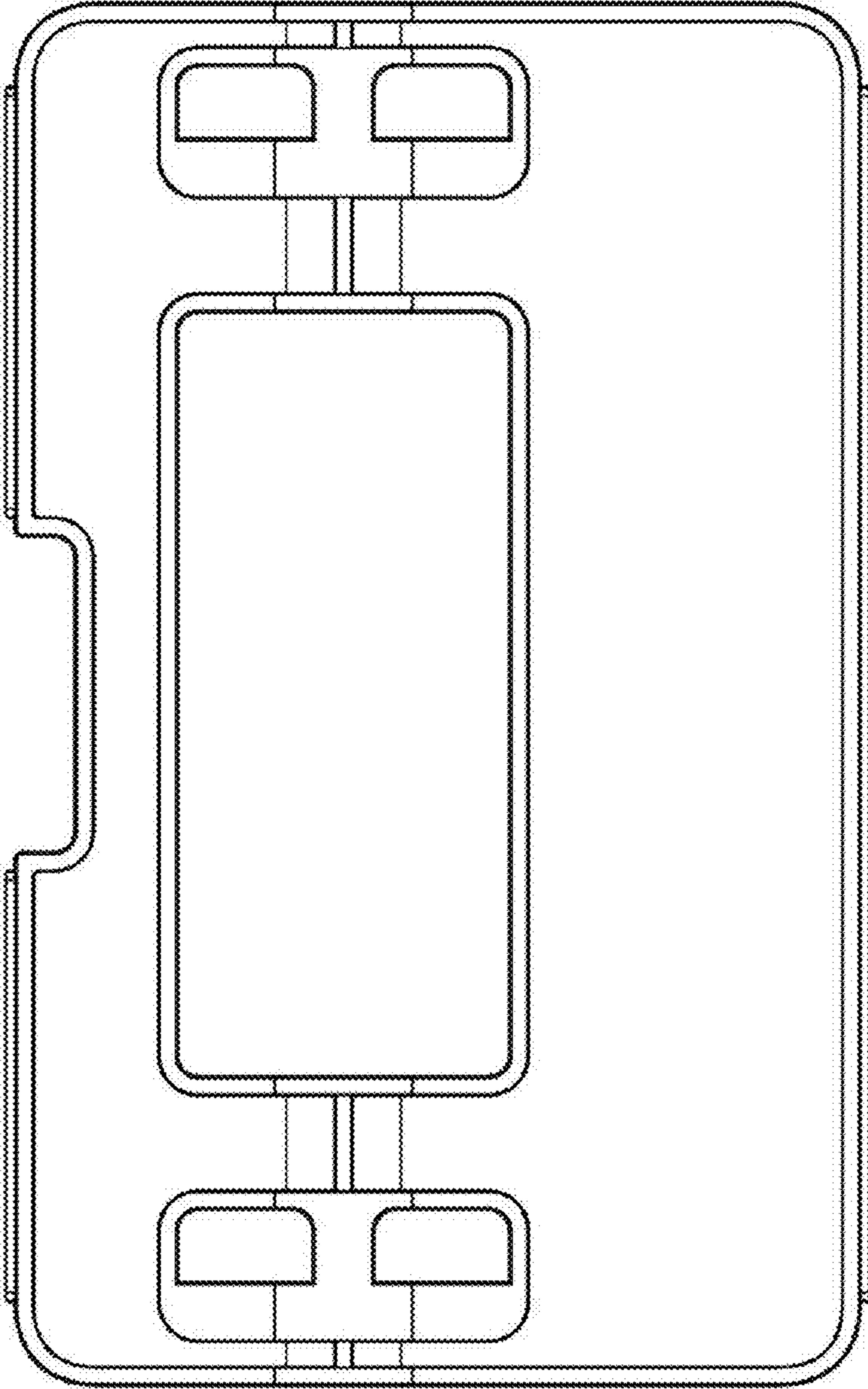


Figure 4

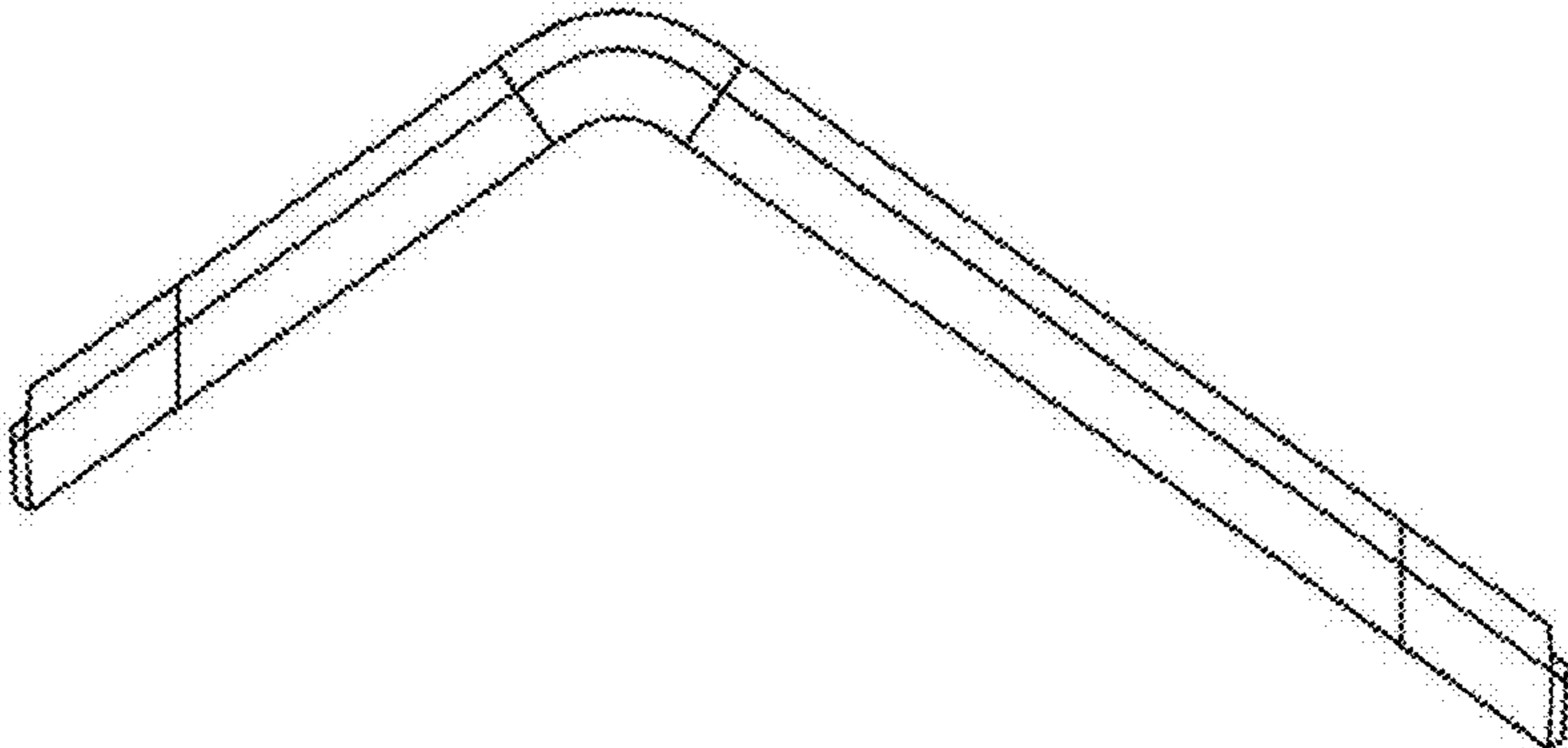


Figure 5

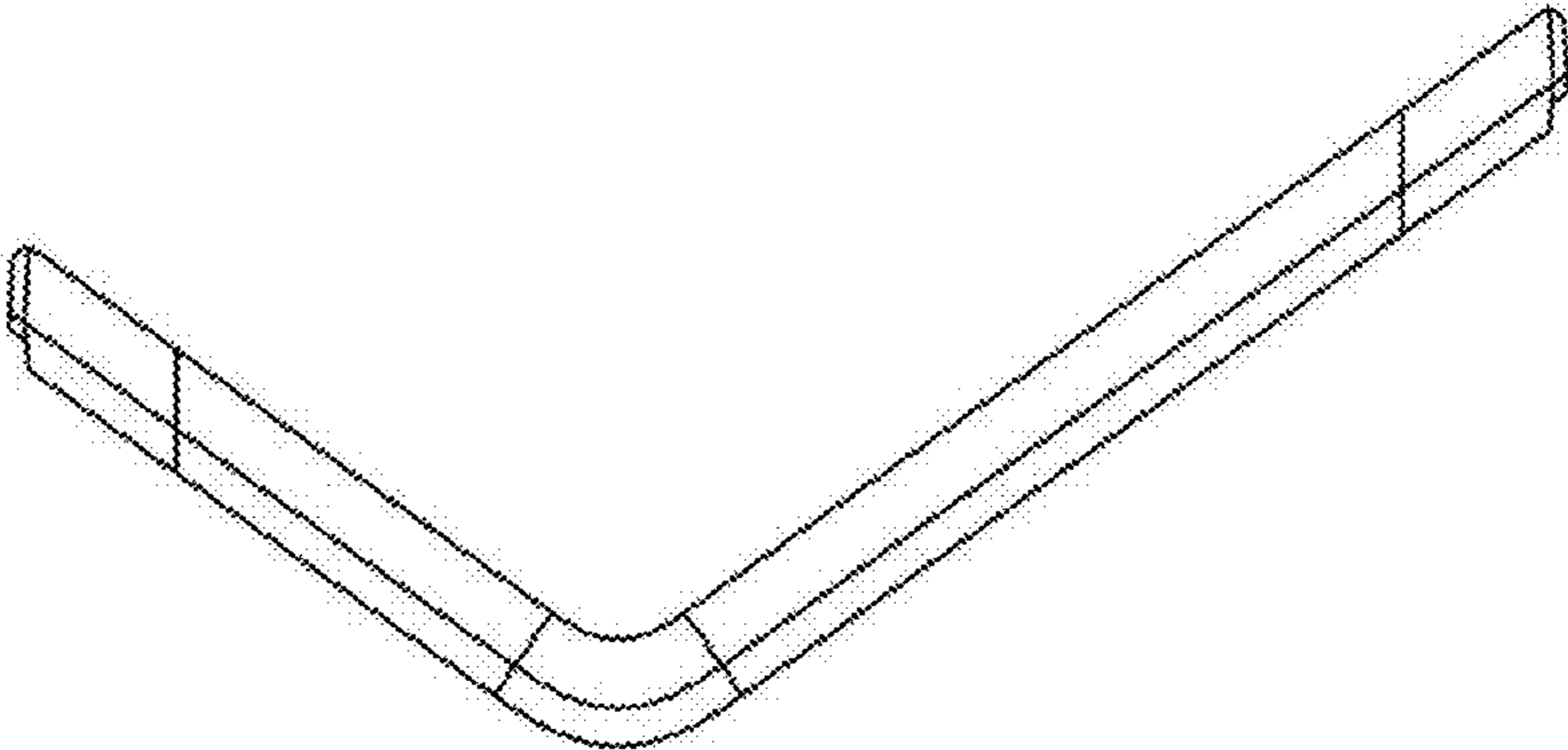


Figure 6

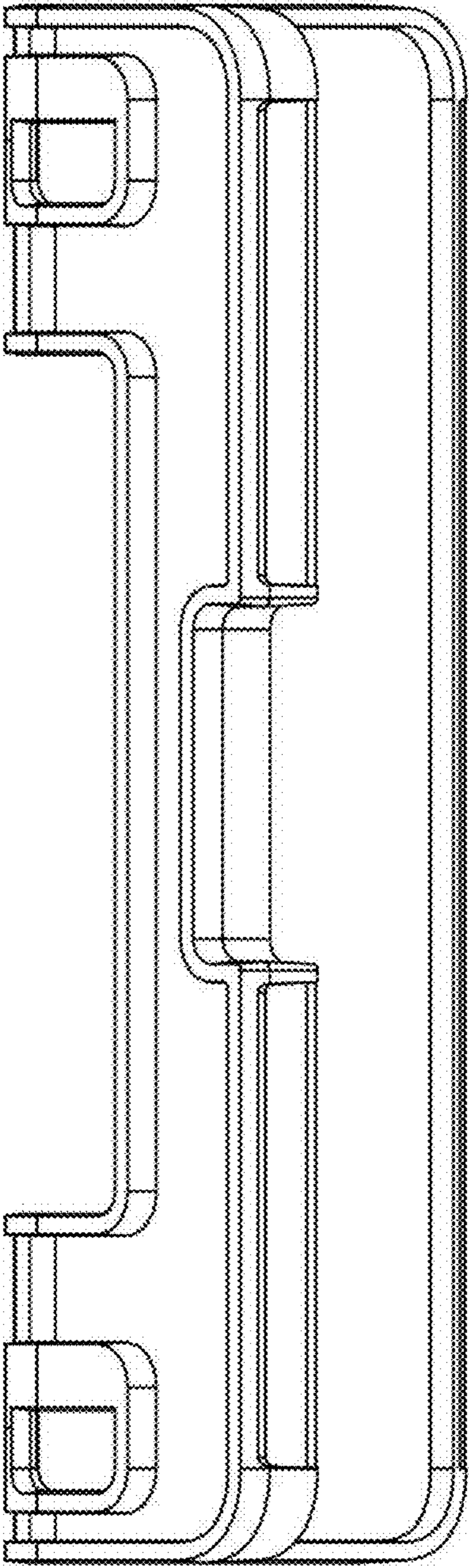


Figure 7

