



US00D770430S

(12) **United States Design Patent** (10) **Patent No.:** **US D770,430 S**  
**Lee** (45) **Date of Patent:** **\*\* Nov. 1, 2016**

(54) **CORE FOR MOBILE PHONE**

D709,876 S \* 7/2014 Aumiller ..... D14/344  
D713,404 S \* 9/2014 Green ..... D14/344  
D726,161 S \* 4/2015 Howard ..... D14/218

(71) Applicant: **LG ELECTRONICS INC.**, Seoul (KR)

(Continued)

(72) Inventor: **Sungho Lee**, Seoul (KR)

**OTHER PUBLICATIONS**

(73) Assignee: **LG Electronics Inc.**, Seoul (KR)

Futuristic iWatch Concept, posted 2 years ago (May 2014), by Shaikh Rafia, [online], [site visited May 26, 2016]. Available from Internet, <URL: <http://wccftech.com/iwatch-concept-gallery/>>.\*

(\*\*) Term: **14 Years**

(Continued)

(21) Appl. No.: **29/504,803**

(22) Filed: **Oct. 9, 2014**

*Primary Examiner* — Bridget L Eland

(30) **Foreign Application Priority Data**

(74) *Attorney, Agent, or Firm* — Birch, Stewart, Kolasch & Birch, LLP

Apr. 10, 2014 (KR) ..... 30-2014-0018097

(51) **LOC (10) Cl.** ..... **14-03**

(52) **U.S. Cl.**  
USPC ..... **D14/240**

(58) **Field of Classification Search**  
USPC .. D14/138 G, 138 AD, 248, 138 R, 138 AC, D14/247, 137, 341–347, 240, 242  
CPC ..... H04M 1/0202; H04M 1/0235; H04M 1/0237; H04M 1/0239; H04M 1/0266; H04M 1/0268; H04M 1/027; H04M 1/0295; H04L 12/00; H03K 17/00; H04W 88/00; H04W 88/005; H04W 88/02; H04W 88/08; H04W 88/085; H04W 88/10; H04W 88/12; H04W 88/14; H04B 1/38  
See application file for complete search history.

(57) **CLAIM**

The ornamental design for a core for mobile phone, as shown and described.

**DESCRIPTION**

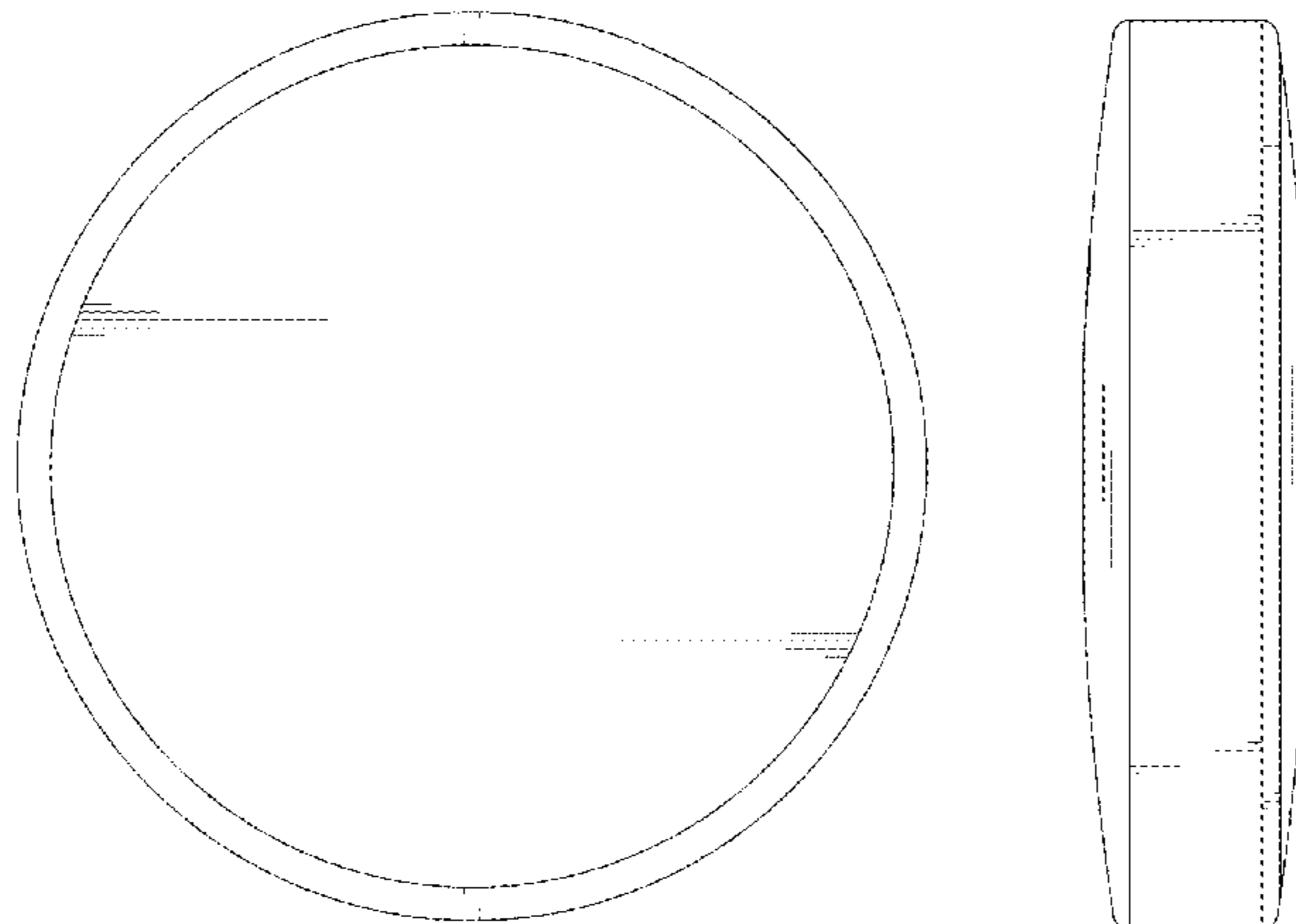
FIG. 1 is a perspective view of the core for mobile phone showing my new design;  
FIG. 2 is a front view thereof;  
FIG. 3 is a rear view thereof;  
FIG. 4 is a left side view thereof where the right side view is a mirror image;  
FIG. 5 is a top plan view thereof;  
FIG. 6 is a bottom plan view thereof;  
FIG. 7 is another front perspective view of the core for mobile phone, as shown in a first environment;  
FIG. 8 is a rear perspective view of the core for mobile phone, as shown in the first environment;  
FIG. 9 is another perspective view of the core for mobile phone, shown in a second environment;  
FIG. 10 is another left side view of the core for mobile phone, shown in a third environment; and,  
FIG. 11 is another perspective view of the core for mobile phone, shown in a fourth environment.  
The broken lines are directed to environment; the broken lines form no part of the claimed design.

(56) **References Cited**

**U.S. PATENT DOCUMENTS**

D283,891 S \* 5/1986 Parshad ..... D14/228  
D512,417 S \* 12/2005 Hirakawa ..... D14/223  
D551,201 S \* 9/2007 Kim ..... D14/138 AD  
D597,514 S \* 8/2009 Gencarella ..... D14/138 AC  
D624,518 S \* 9/2010 Li ..... D14/138 AB  
8,506,158 B2 \* 8/2013 Keung ..... A44C 5/0084  
224/164

**1 Claim, 10 Drawing Sheets**



(56)

**References Cited**

U.S. PATENT DOCUMENTS

D726,672	S *	4/2015	Olodort .....	D14/138	G
D726,801	S *	4/2015	Kim .....	D16/219	
D733,109	S *	6/2015	Reivo .....	D14/248	
D735,703	S *	8/2015	Reivo .....	D14/248	
D740,264	S *	10/2015	Kester .....	D14/248	
D741,306	S *	10/2015	Kester .....	D14/248	
D741,307	S *	10/2015	Kester .....	D14/248	
D741,930	S *	10/2015	Kwon .....	D16/202	
2012/0314355	A1 *	12/2012	Miyamatsu .....	H01M 2/1066	
				361/679.01	
2014/0031081	A1 *	1/2014	Vossoughi .....	H04M 1/0254	
				455/556.1	

OTHER PUBLICATIONS

Concept Very Original round Sero Phone, posted May 5, 2014, by GloriaSt, [online], [site visited May 26, 2016]. Available from

Internet, <URL: <http://itechfuture.com/concept-very-original-round-sero-phone/>>.\*

Motorola Digital Butler Concept is Also a Phone, GPS, 4G Device, posted Feb. 14, 2009, by Thrystan, [online], [site visited May 26, 2016]. Available from Internet, <URL: <http://www.concept-phones.com/motorola/motorola-digital-butler-concept-phone-gps-4g-device/>>.\*

Ragio Concept Phone, Fancy Compass-Like Device, posted Jan. 7, 2009, by Thrystan, [online], [site visited May 26, 2016]. Available from Internet, <URL: <http://www.concept-phones.com/fashion-phones/ragio-concept-phone-fancy-compasslike-device/>>.\*

iCircle Min—Every Inch an iPhone, posted Jan. 11, 2013, by Kalin Nacheff, [online], [site visited May 26, 2016]. Available from Internet, <URL: <http://kalinnacheff.com/2013/01/11/apple-icircle-mini/>>.\*

\* cited by examiner

FIG. 1

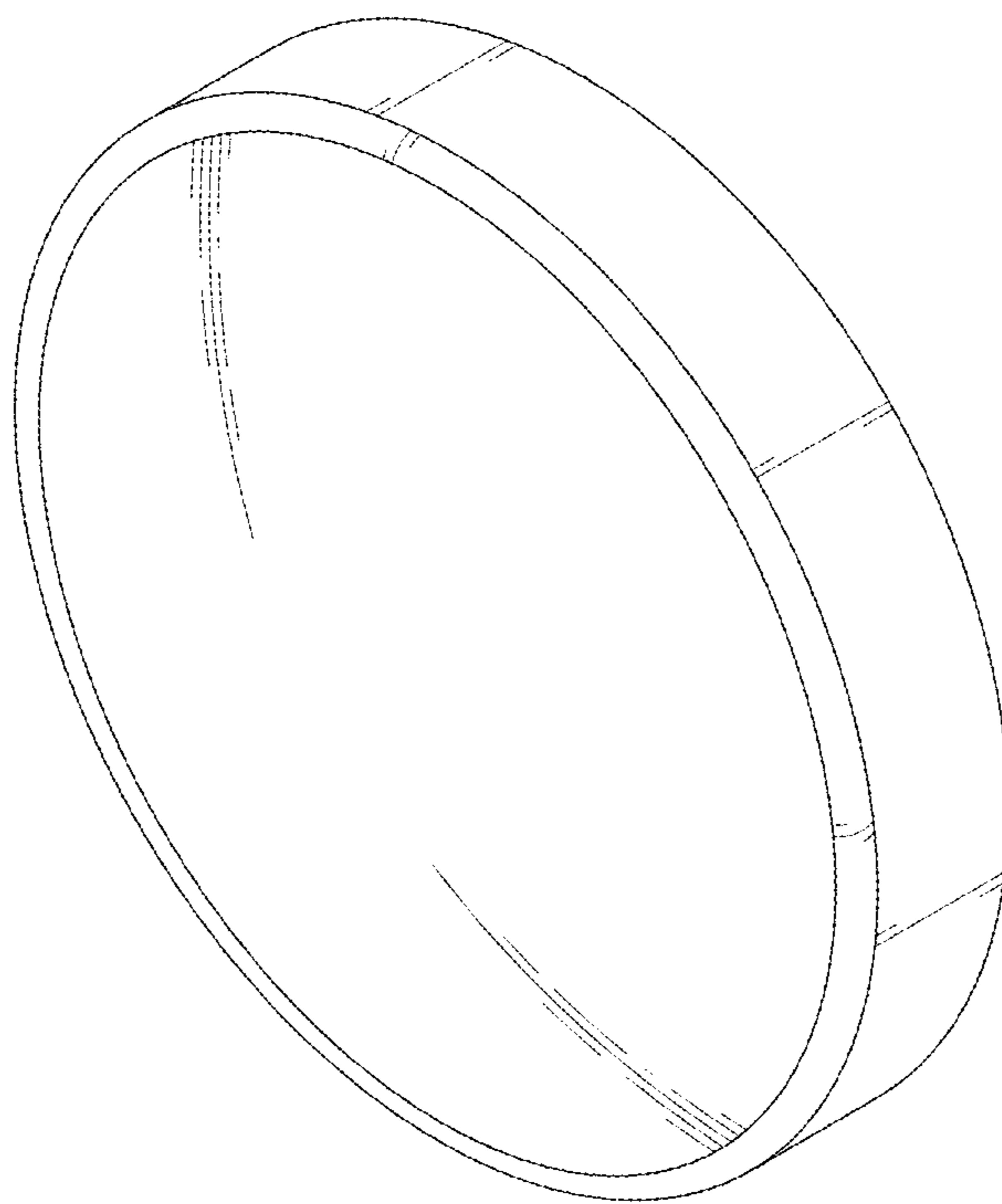


FIG. 2

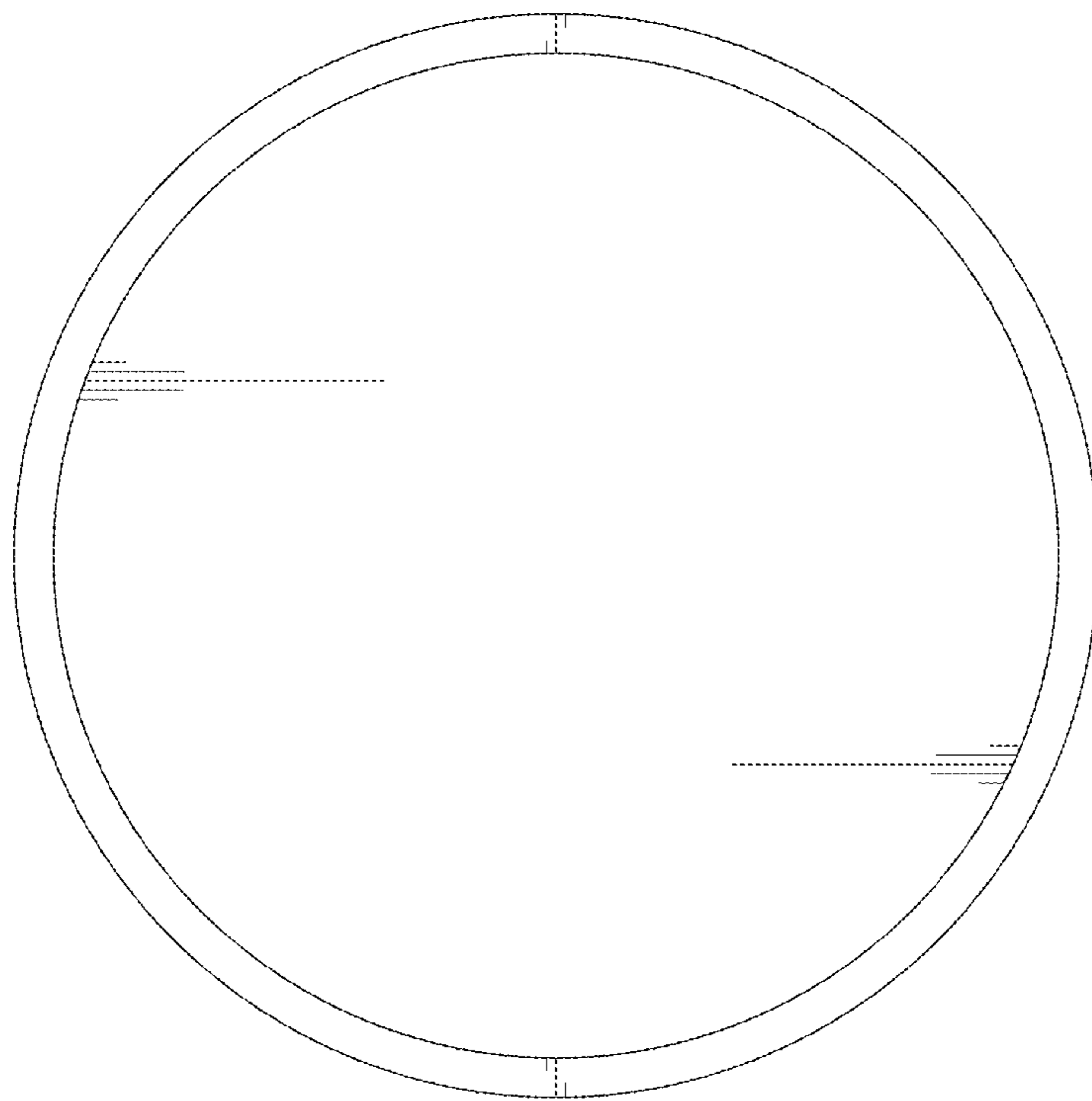


FIG. 3

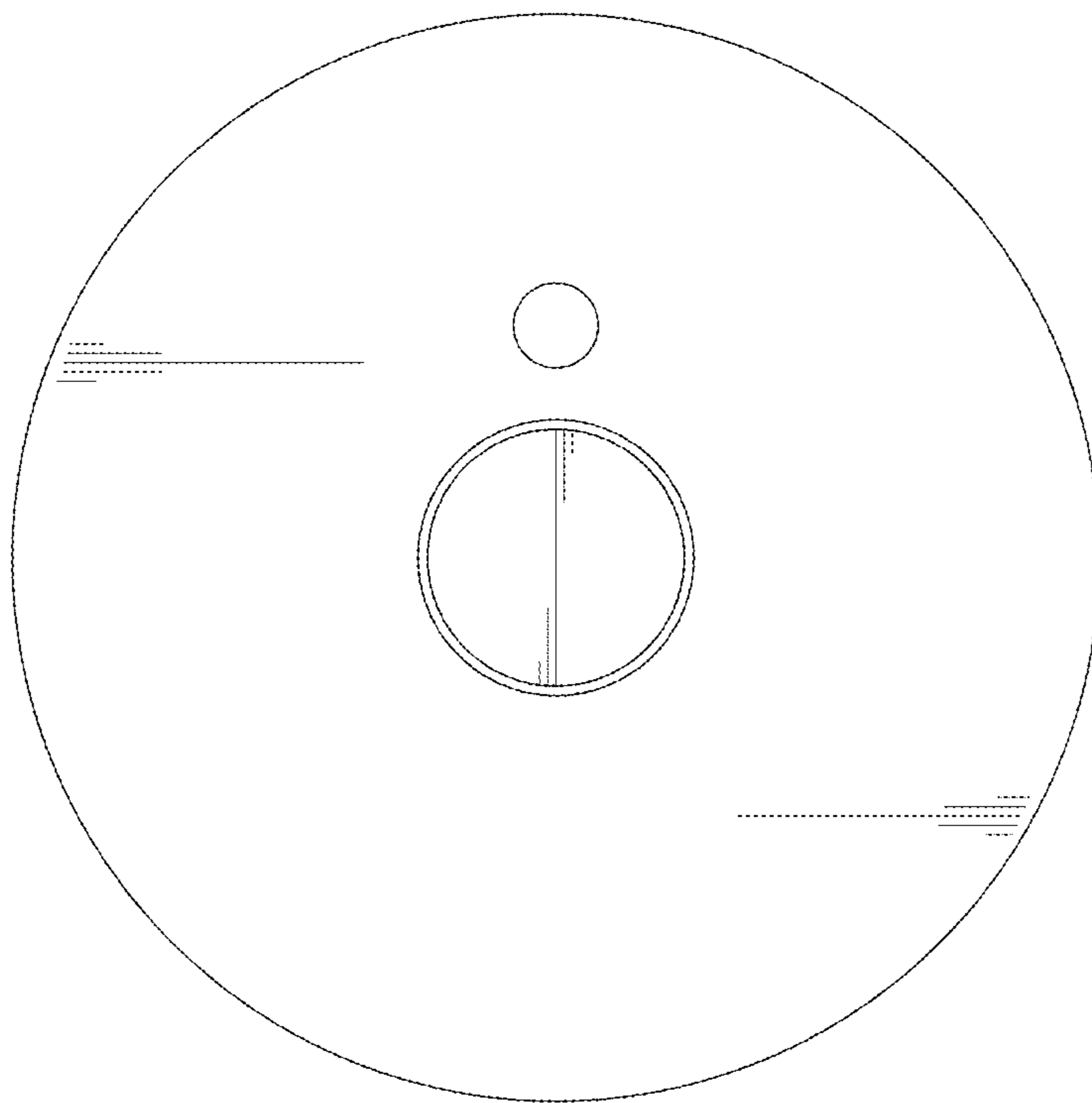


FIG. 4

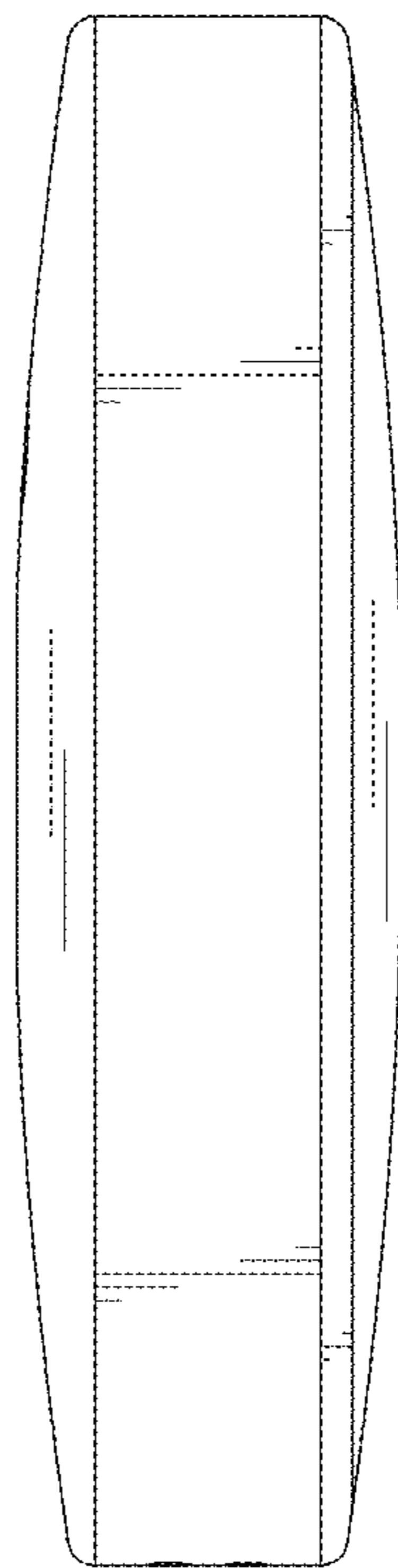


FIG. 5

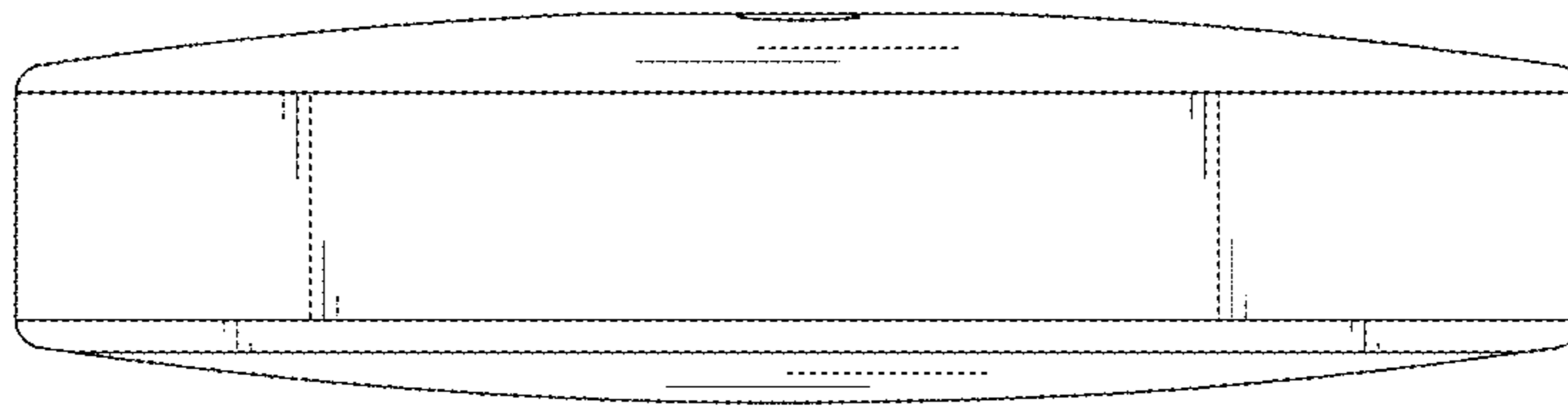


FIG. 6

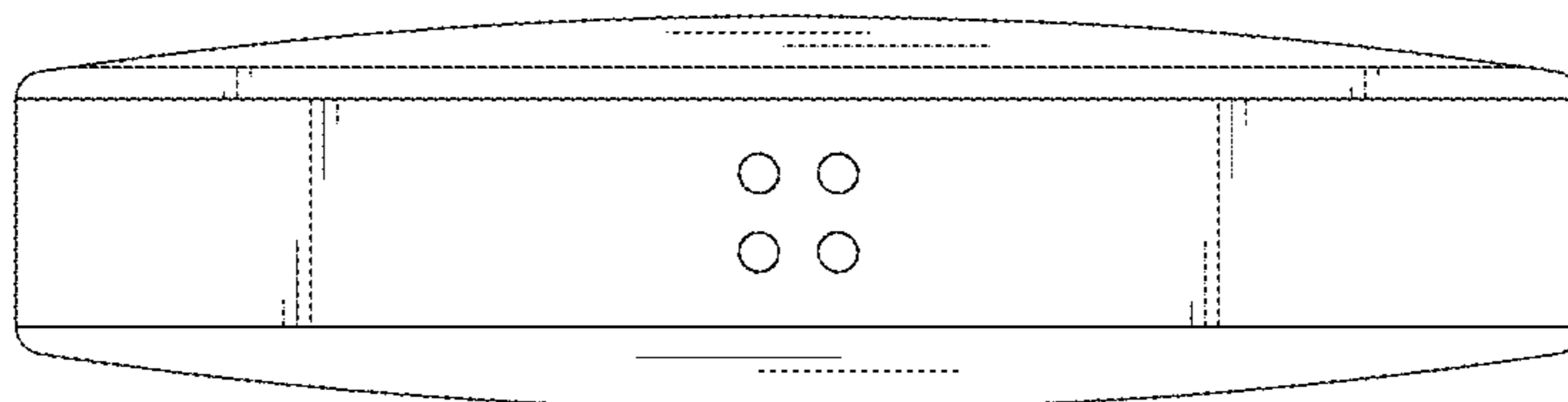


FIG. 7

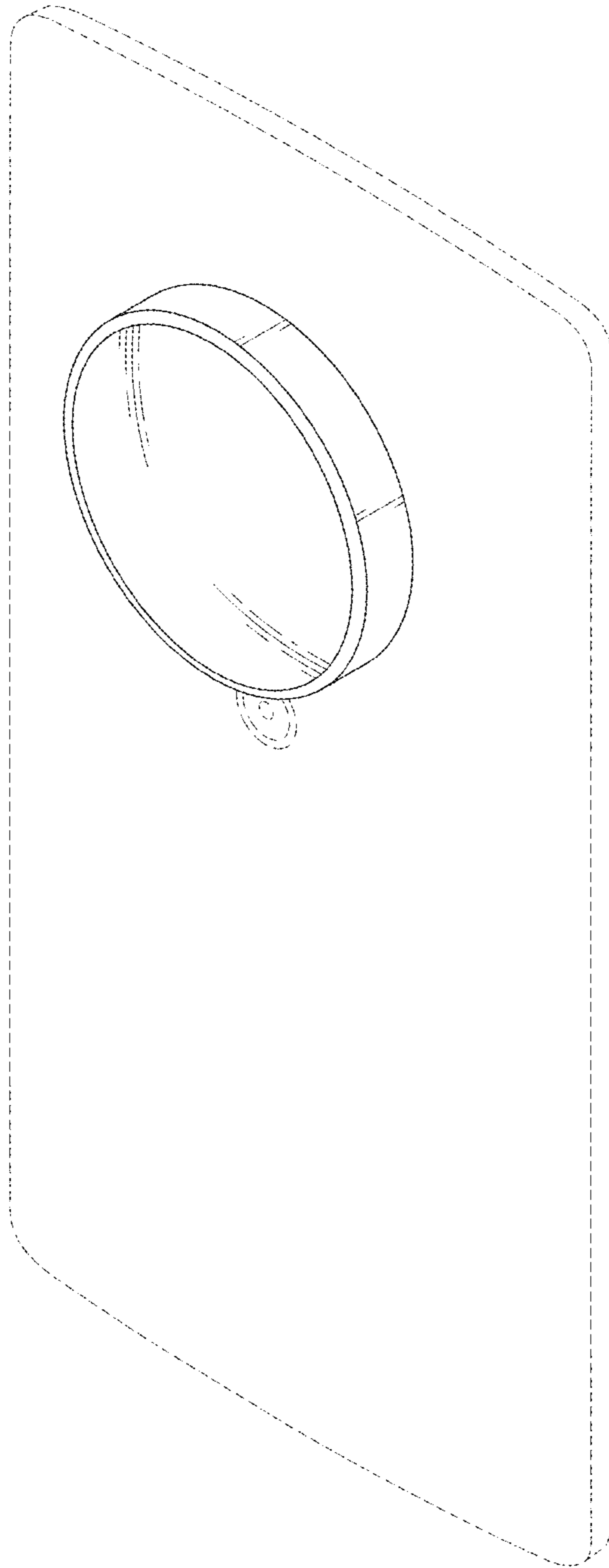




FIG. 8

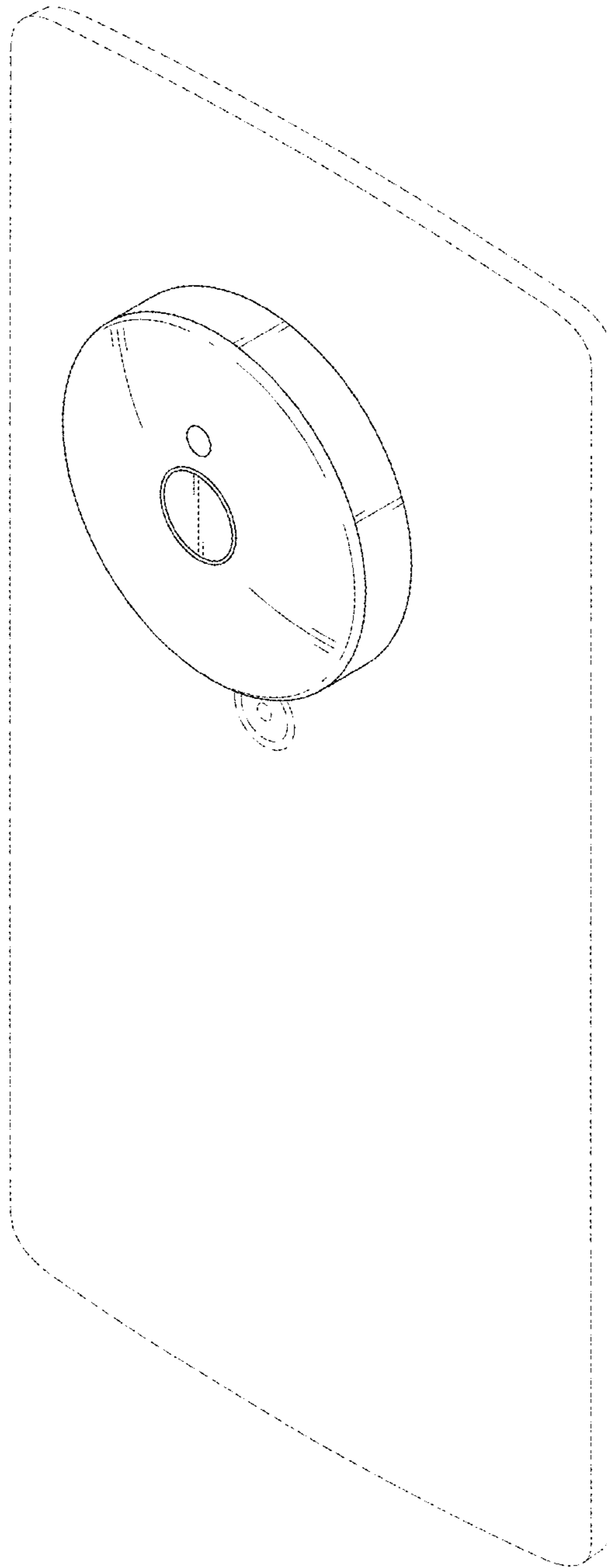


FIG. 9

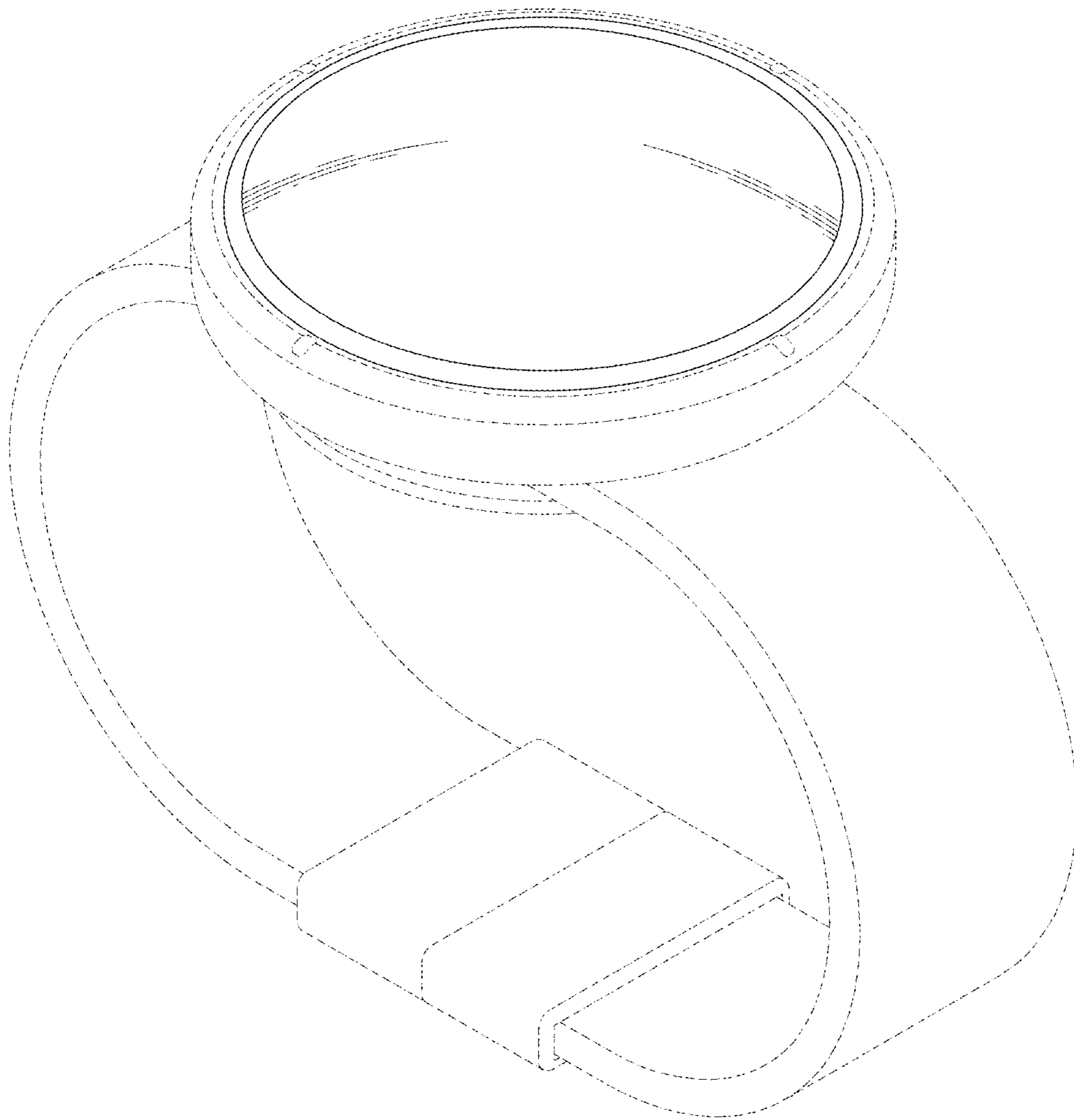


FIG. 10

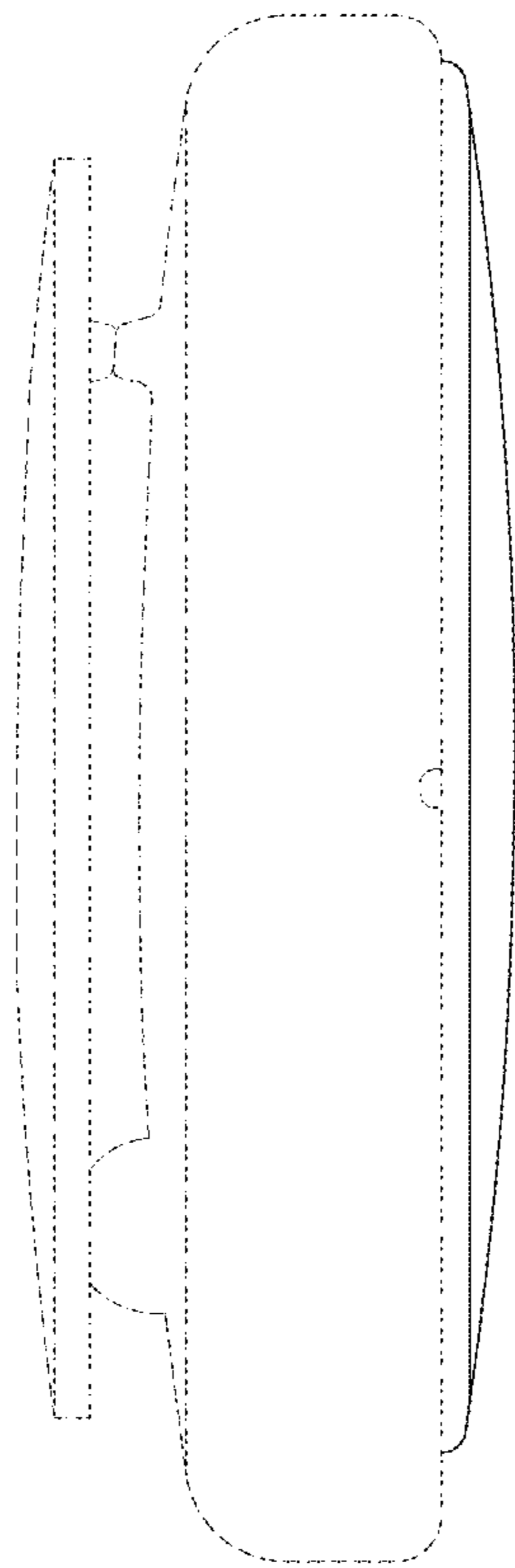


FIG. 11

