



US00D770429S

(12) **United States Design Patent** (10) **Patent No.:** **US D770,429 S**
Hochman et al. (45) **Date of Patent:** **** Nov. 1, 2016**

(54) **MODULAR VIDEO SUPPORT FRAME MEMBER**
(71) Applicant: **Revolution Display, LLC**, Glendale, CA (US)
(72) Inventors: **Jeremy Hochman**, Glendale, CA (US); **Henry Ambrose**, Glendale, CA (US)
(73) Assignee: **Revolution Display, LLC**, Glendale, CA (US)
(**) Term: **15 Years**
(21) Appl. No.: **29/527,795**
(22) Filed: **May 21, 2015**
(51) **LOC (10) Cl.** **14-03**
(52) **U.S. Cl.**
USPC **D14/239**
(58) **Field of Classification Search**
USPC D14/125-134, 239, 371, 136, 374-377, D14/440, 450, 448, 336, 342; 312/7.2; 348/836, 838, 180, 184, 325, 739; 341/12; 248/917-924, 465, 309.2; 345/104, 133, 156, 168, 87, 173; 720/605, 669, 600, 655; 369/99, 197; 455/344, 347; D21/329, 515, 577, 622, D21/333, 433, 448, 452, 450, 331; D6/477, D6/479, 300; 273/148 B; 446/484, 175, 446/356; D10/15, 26; 361/801, 802, 754, 361/728; 257/88
CPC H04N 1/00; G09F 9/301
See application file for complete search history.

Primary Examiner — Randall Gholson
(74) *Attorney, Agent, or Firm* — Downs Rachlin Martin PLLC

(57) **CLAIM**
The ornamental design for a modular video support frame member, as shown and described.

DESCRIPTION

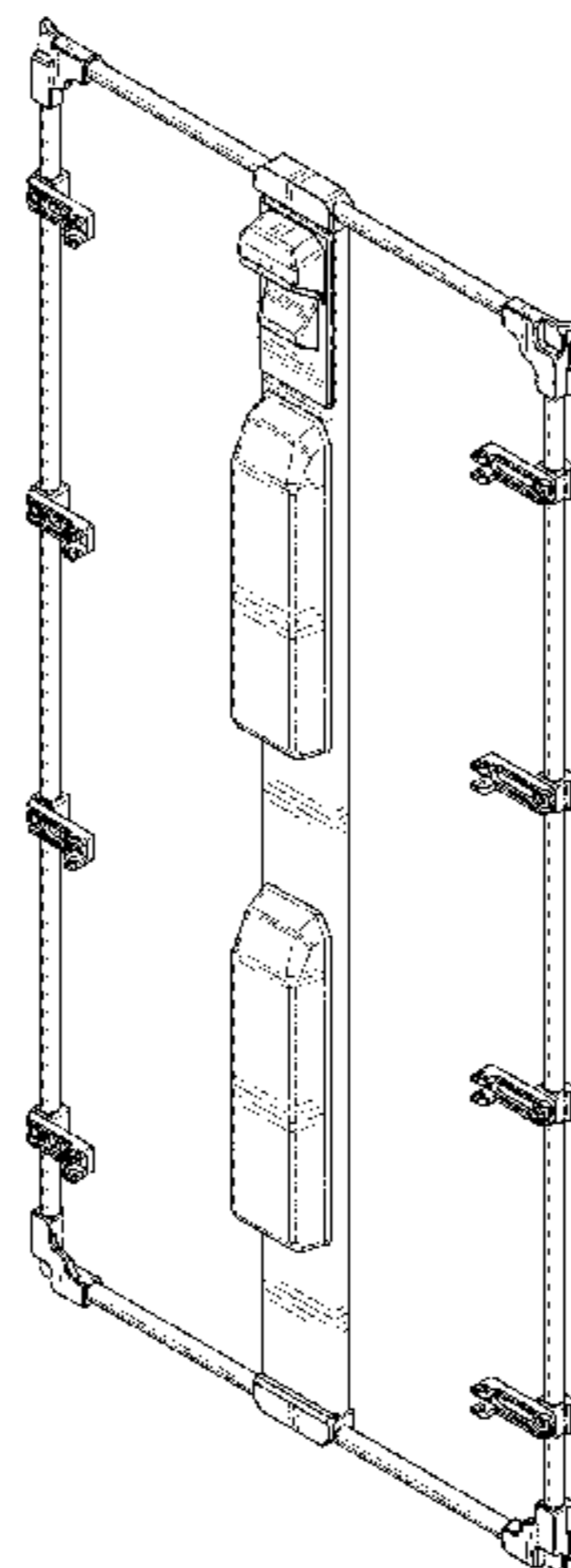
FIG. 1 is a front perspective view of a modular video support frame member, the modular video support frame member having a plurality of mounting flanges shown in a first position;
FIG. 2 is a rear perspective view thereof;
FIG. 3 is a front view thereof;
FIG. 4 is a top view thereof, the bottom view is a mirror image of the top view;
FIG. 5 is a right side view thereof, the left side view is a mirror image of the right side view;
FIG. 6 is a rear view thereof;
FIG. 7 is an enlarged view of a portion of FIG. 3;
FIG. 8 is a rear view thereof;
FIG. 9 is an enlarged view of a portion of FIG. 3 showing a mounting flange in a second position;
FIG. 10 is a rear view thereof;
FIG. 11 is an enlarged view of a portion of FIG. 1;
FIG. 12 is an enlarged view of a portion of FIG. 2;
FIG. 13 is a front perspective view of another embodiment of a modular video support frame member, the modular video support frame member having a plurality of mounting flanges shown in a first position;
FIG. 14 is a front view thereof;
FIG. 15 is a top view thereof, the bottom view is a mirror image of the top view;
FIG. 16 is a right side view thereof, the left side view is a mirror image of the right side view;
FIG. 17 is a rear view thereof;
FIG. 18 is an enlarged view of a portion of FIG. 14;
FIG. 19 is an enlarged view of a portion of FIG. 14 showing a mounting flange in a second position; and,
FIG. 20 is an enlarged view of a portion of FIG. 13.
The broken lines in the Figures are for the purpose of illustrating unclaimed portions of the modular video support frame member and form no part of the claimed design.
The shade lines in the Figures show contour and not surface ornamentation.

(56) **References Cited**
U.S. PATENT DOCUMENTS
212,335 A 2/1879 Schwartz
D289,115 S 4/1987 Spicer
(Continued)
FOREIGN PATENT DOCUMENTS
CN 201182417 Y 1/2009
JP 360162124 A 8/1985
OTHER PUBLICATIONS

http://www.kinoflo.com/Products%20Button/LED/Celeb%20400%20DMX/Celeb400_DMX.html (Last viewed Oct. 30, 2015).

(Continued)

1 Claim, 18 Drawing Sheets



(56)

References Cited

U.S. PATENT DOCUMENTS

5,626,406 A 5/1997 Schmid
 5,799,429 A 9/1998 Speshyock
 6,065,854 A 5/2000 West et al.
 D447,045 S * 8/2001 Hundley D25/114
 6,647,652 B1 11/2003 Seiber et al.
 7,581,343 B1 9/2009 Baxter
 7,604,481 B2 10/2009 Owen et al.
 D637,025 S 5/2011 Colin
 D639,448 S * 6/2011 Grainger D25/1
 D670,936 S 11/2012 Davis
 D672,168 S * 12/2012 Davis D6/683.1
 D685,307 S 7/2013 Chung
 D694,739 S * 12/2013 Badillo D14/239
 8,596,599 B1 12/2013 Carson et al.
 D702,670 S 4/2014 Davis
 8,693,093 B2 4/2014 Kepley, Jr.
 9,069,519 B1 6/2015 Hall
 D736,750 S 8/2015 Hochman et al.
 D742,366 S 11/2015 Hochman et al.
 2007/0000849 A1 1/2007 Lutz et al.
 2010/0109351 A1 5/2010 Woody et al.
 2010/0243843 A1 9/2010 Tait et al.

OTHER PUBLICATIONS

http://www.kinoflo.com/Products%20Button/LED/Celeb%20400Q%20DMX/Celeb_400Q_DMX.html (Last viewed on Oct. 30, 2015).
<http://chromeglow.com/custom-dynamics/> (Last viewed on Oct. 30, 2015).
<http://www.slickcustoms.com/custom-dynamics-chrome-led-license-plate-frames.html> (Last viewed Oct. 30, 2015).
<http://www.thinkstockphotos.in/image/stock-illustration-gothic-style-black-ornamental/512801789> (Last viewed on Oct. 30, 2015).
www.aliexpress.com/store/product/6Meter-2590F2-LED-Display-Panel-Aluminium-Frame-4Pcs-2590F2-Straight-Corner/124897_32279028240.html+%&cd=1&hl=en&ct=clnk&gl=in (Last viewed Oct. 30, 2015).
<http://www.shutterstock.com/pic-158505119/stock-vector-collection-of-old-photo-comers-frames-and-edges-in-vector-isolated-on-white.html> (Last viewed Oct. 30, 2015).
<http://www.dreamstime.com/stock-photo-old-paper-sheets-book-vintage-photo-frames-comers-antiqu-antique-clipboard-isolated-white-background-image54805302> (Last viewed Nov. 2, 2015).

* cited by examiner

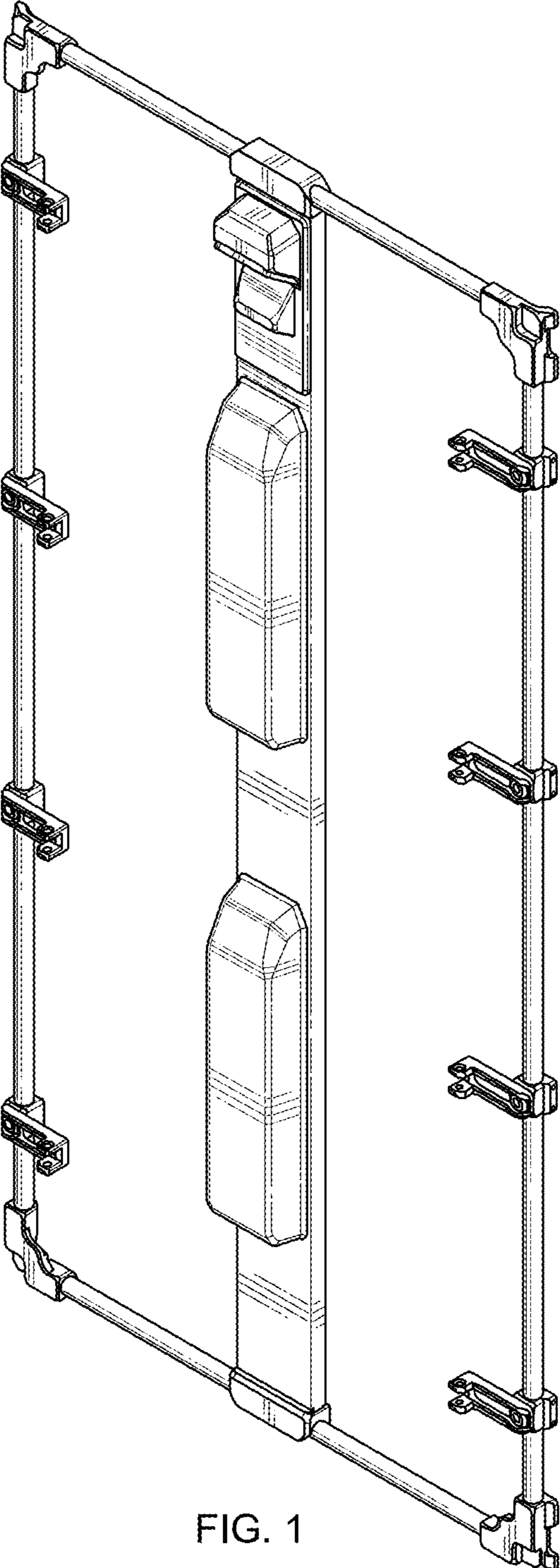


FIG. 1

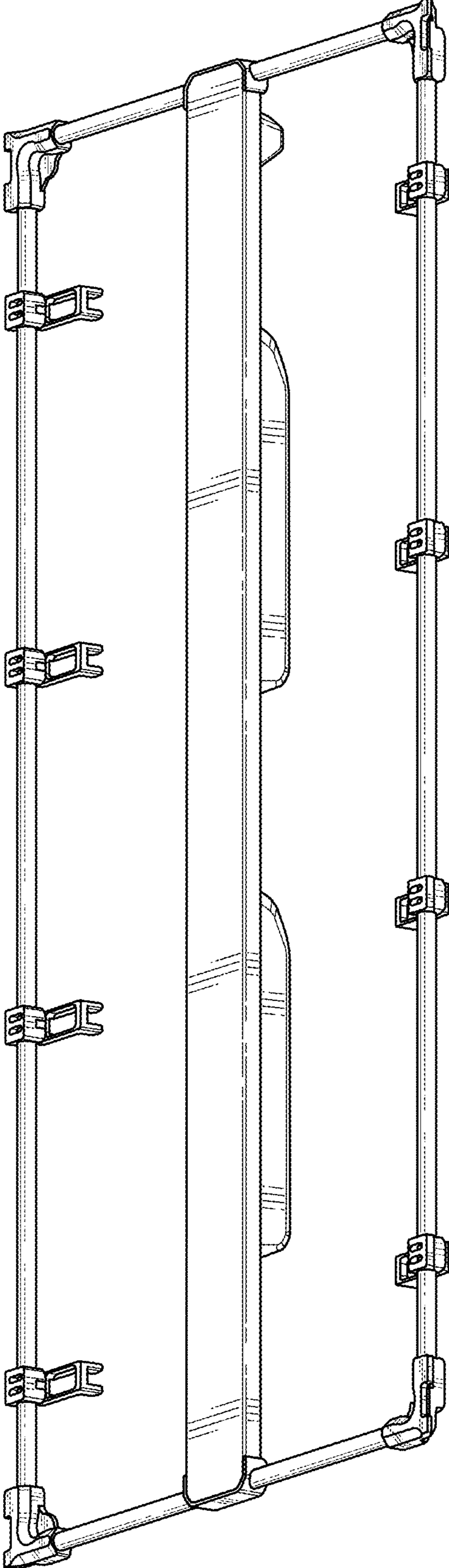


FIG. 2

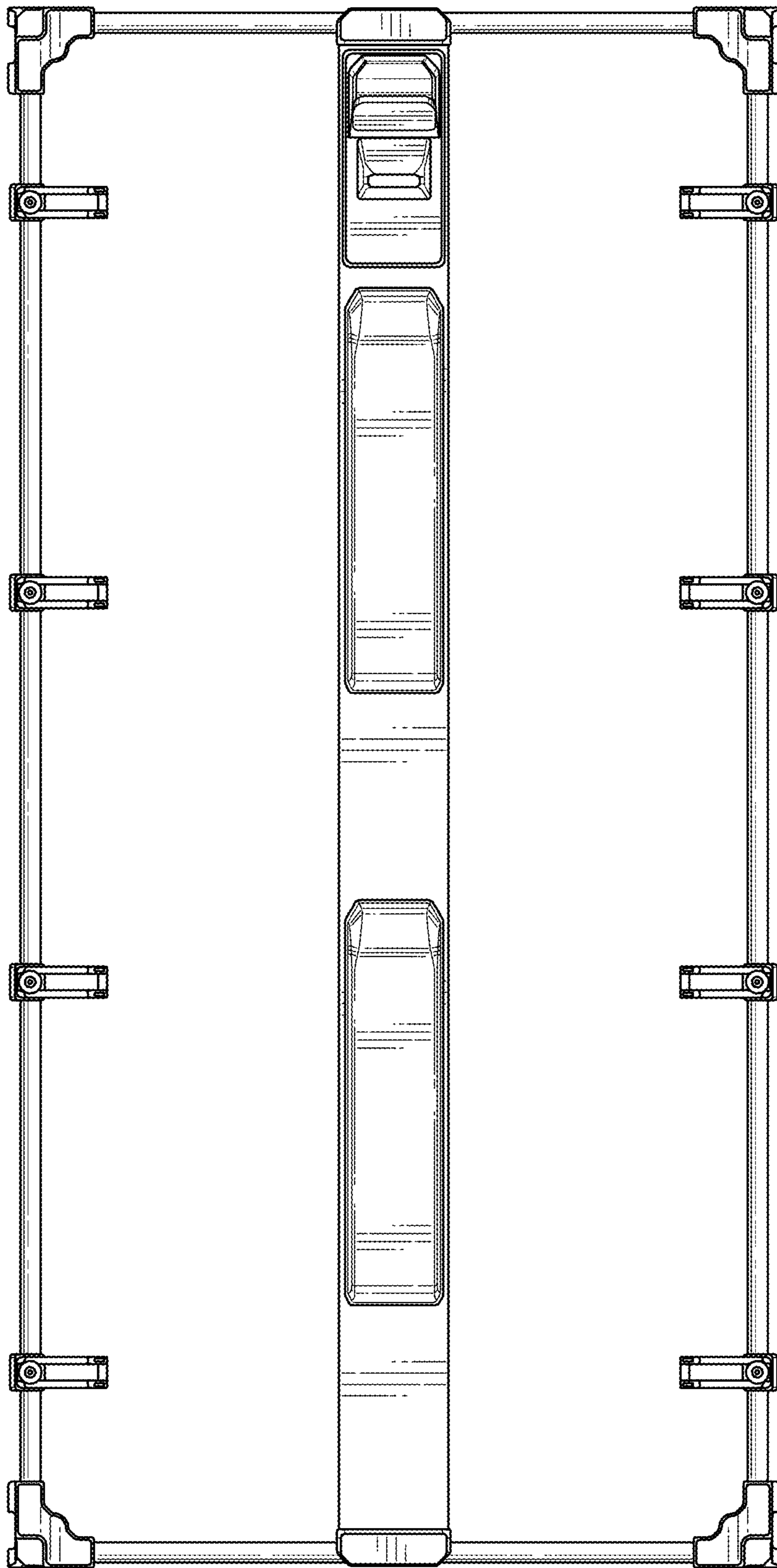


FIG. 3

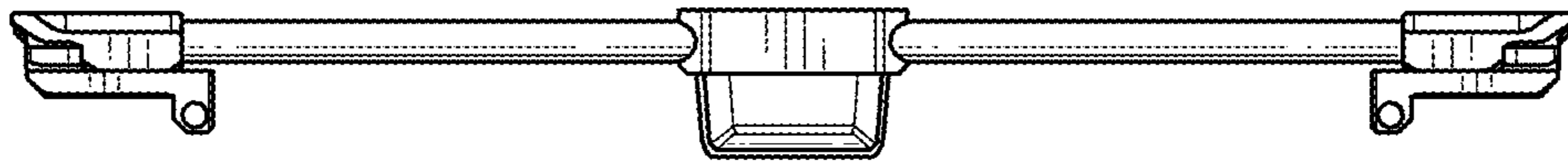


FIG. 4



FIG. 5

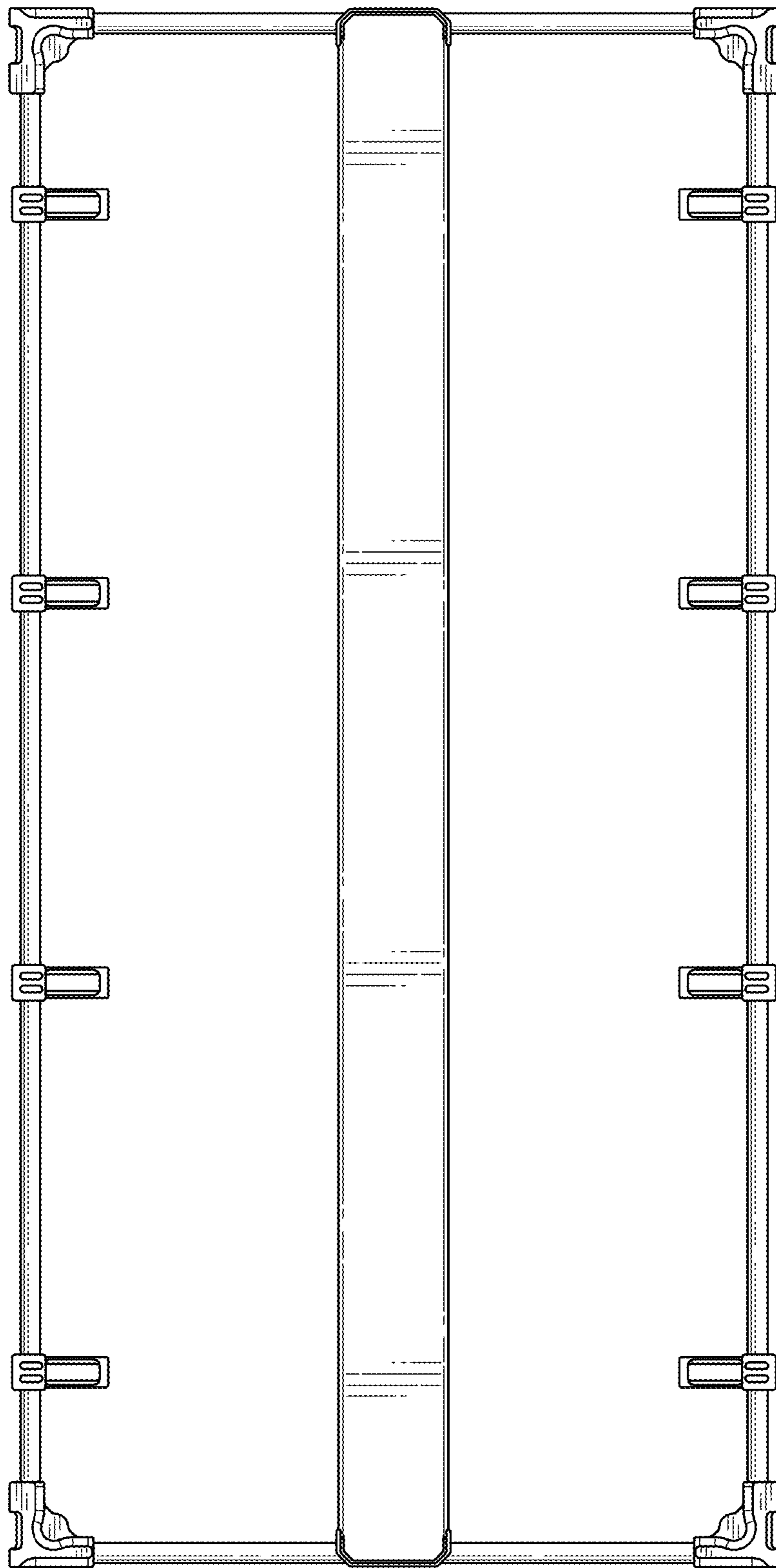


FIG. 6

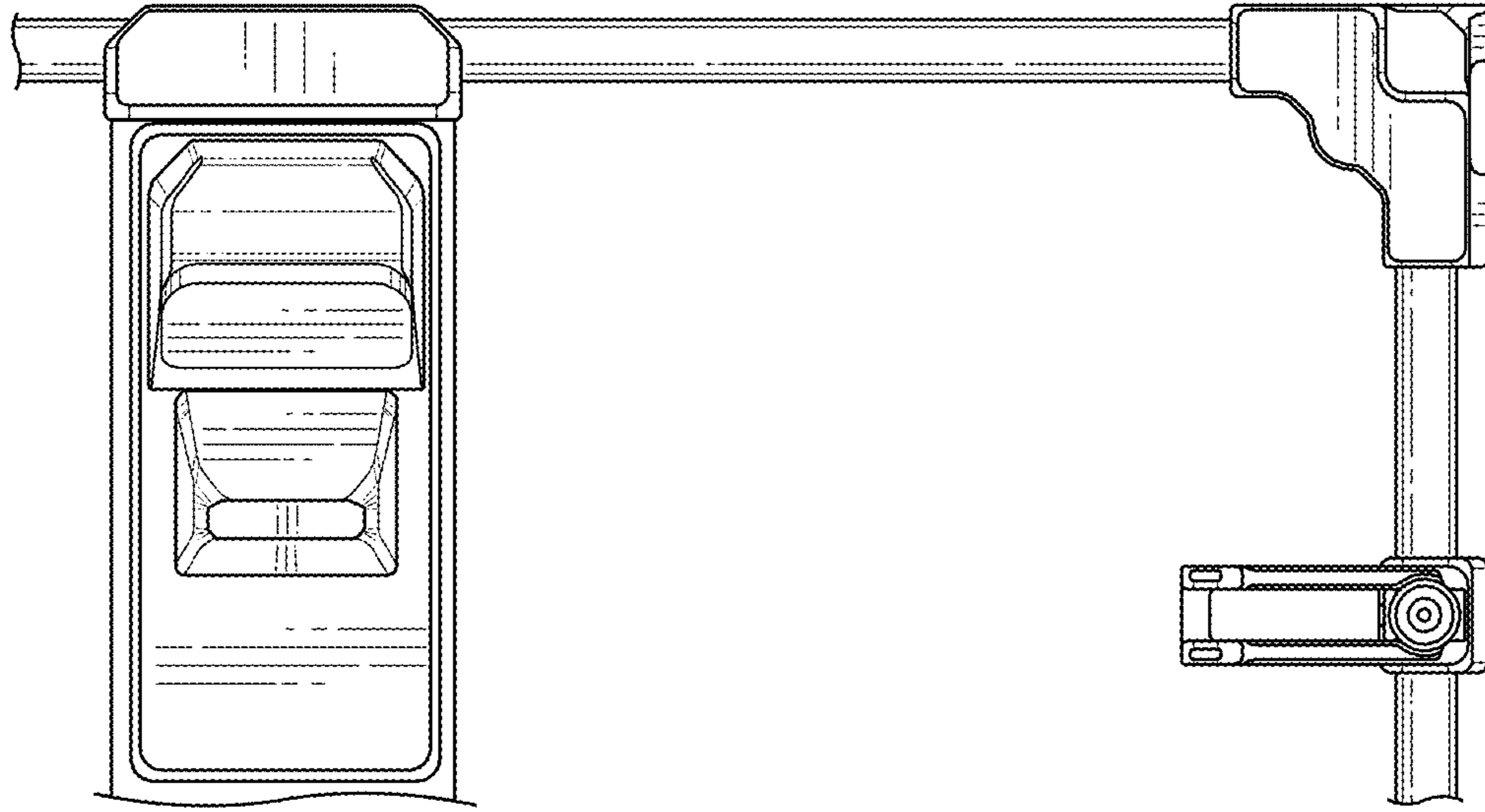


FIG. 7

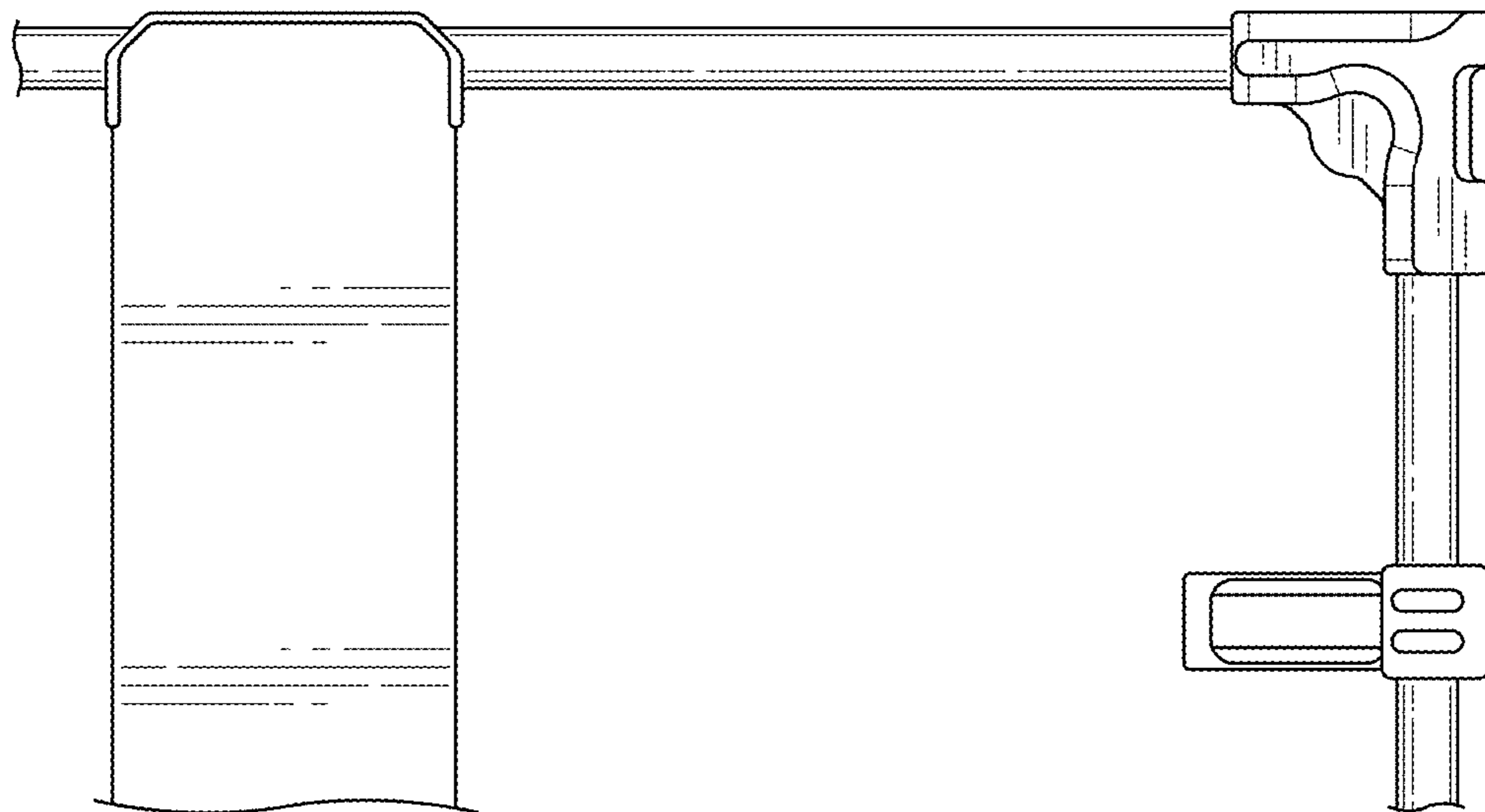


FIG. 8

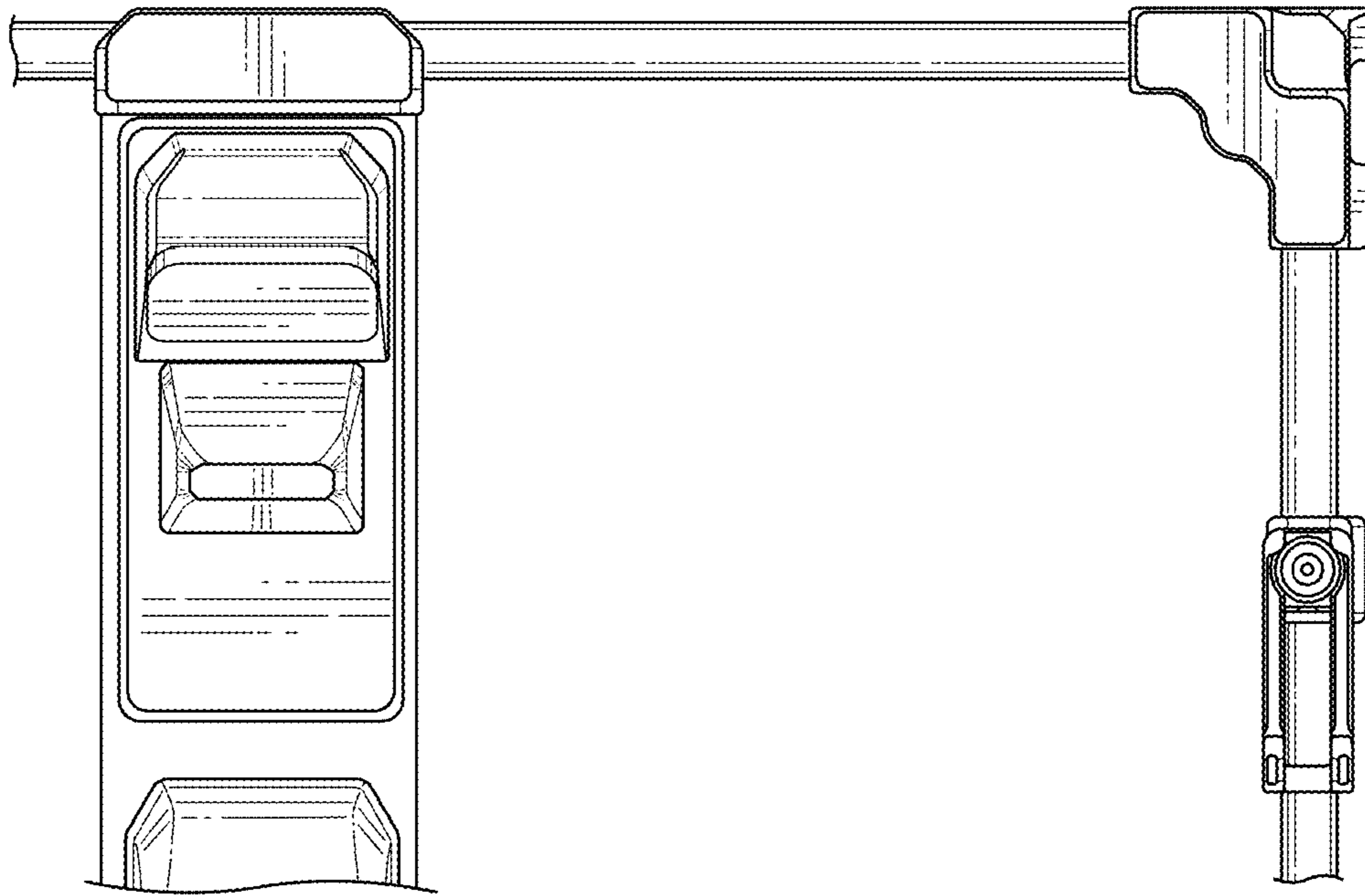


FIG. 9

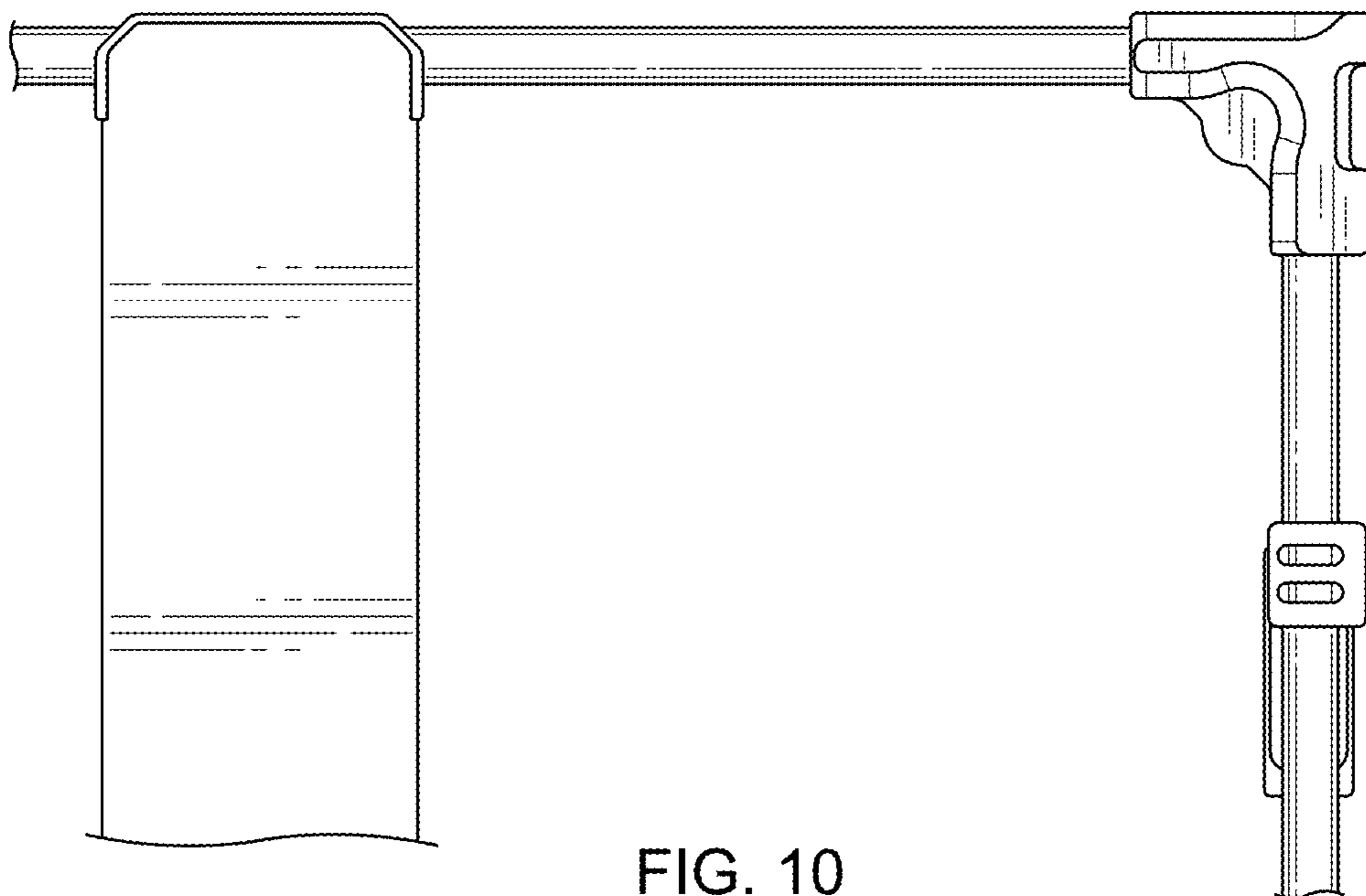


FIG. 10

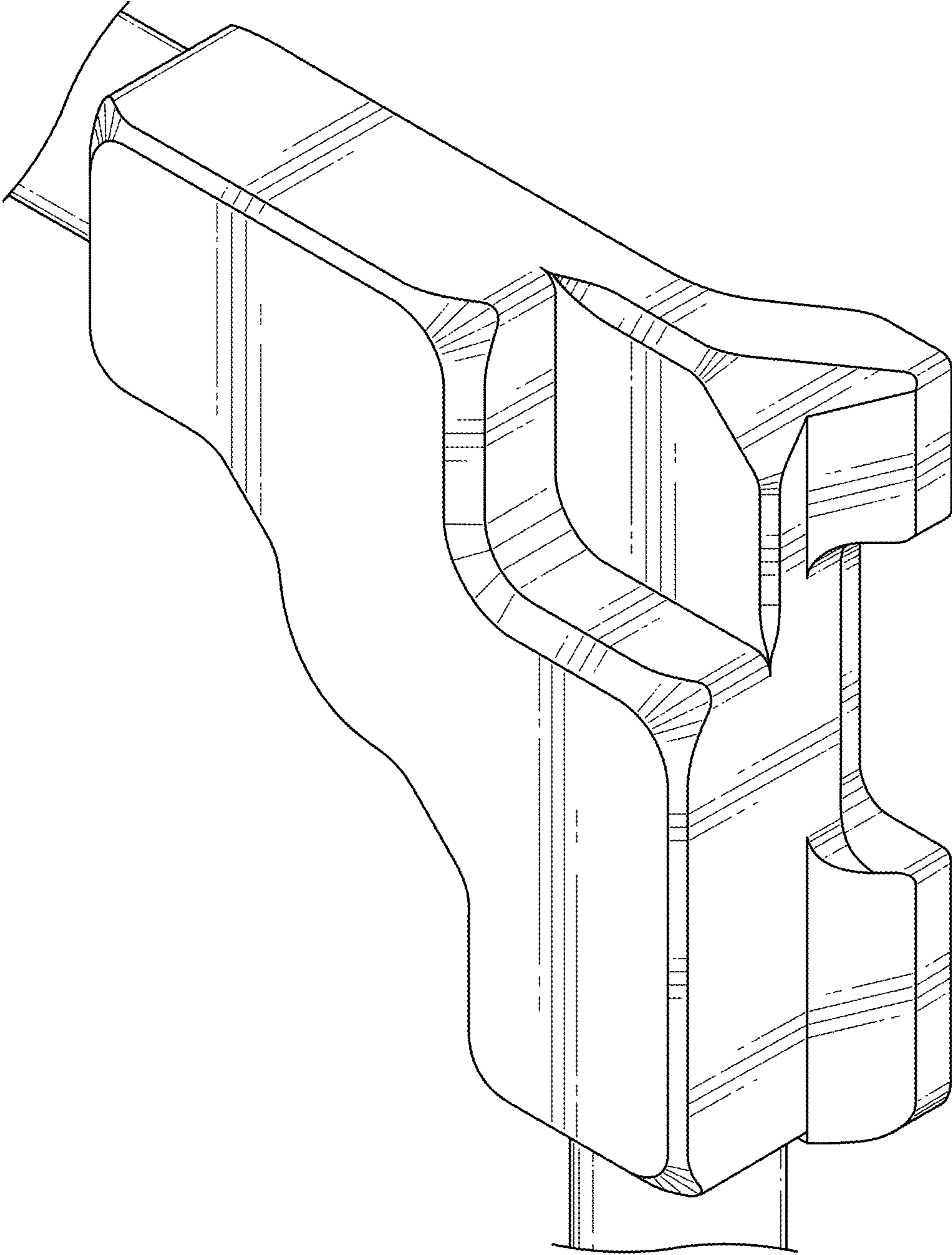


FIG. 11

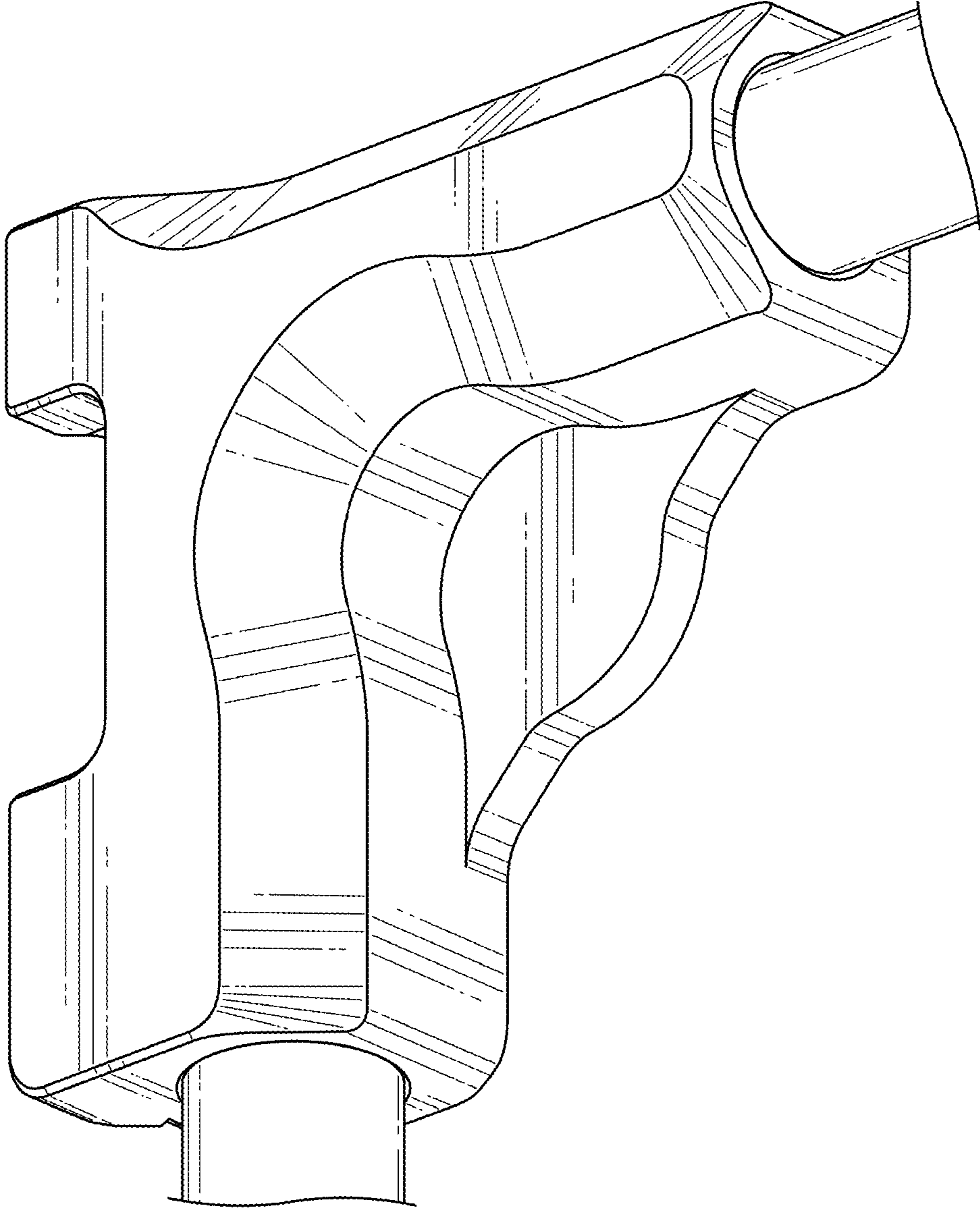


FIG. 12

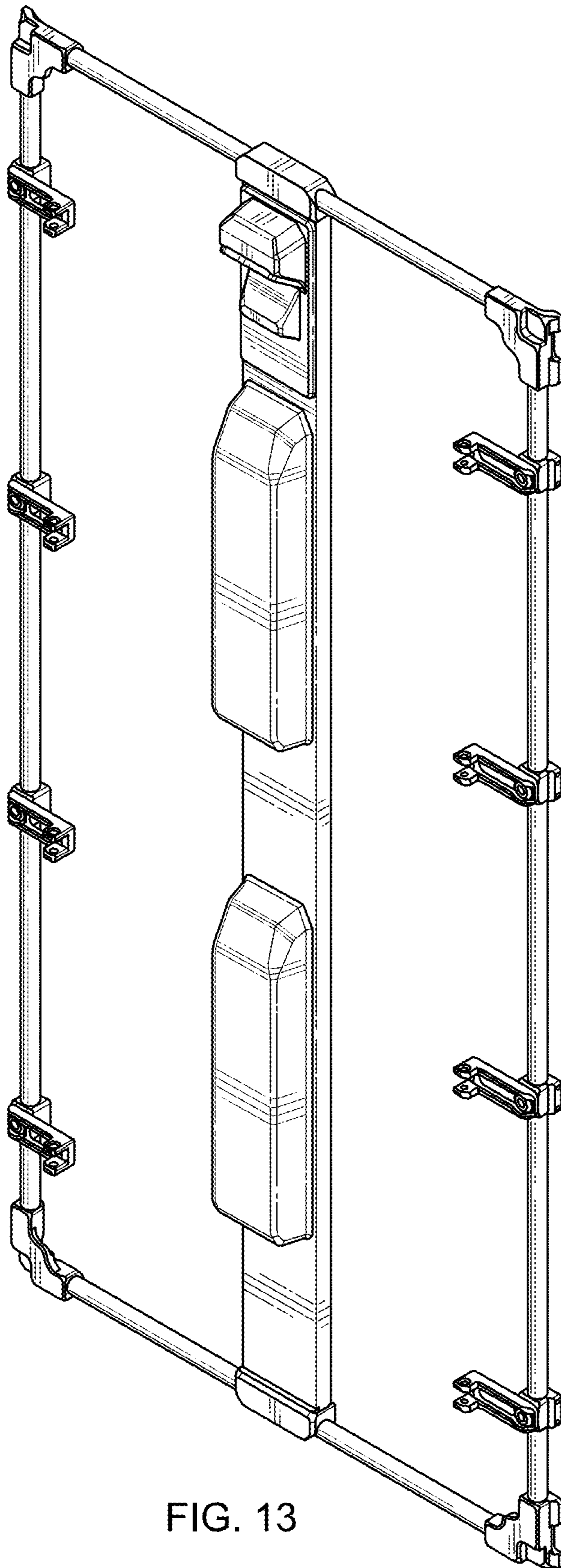


FIG. 13

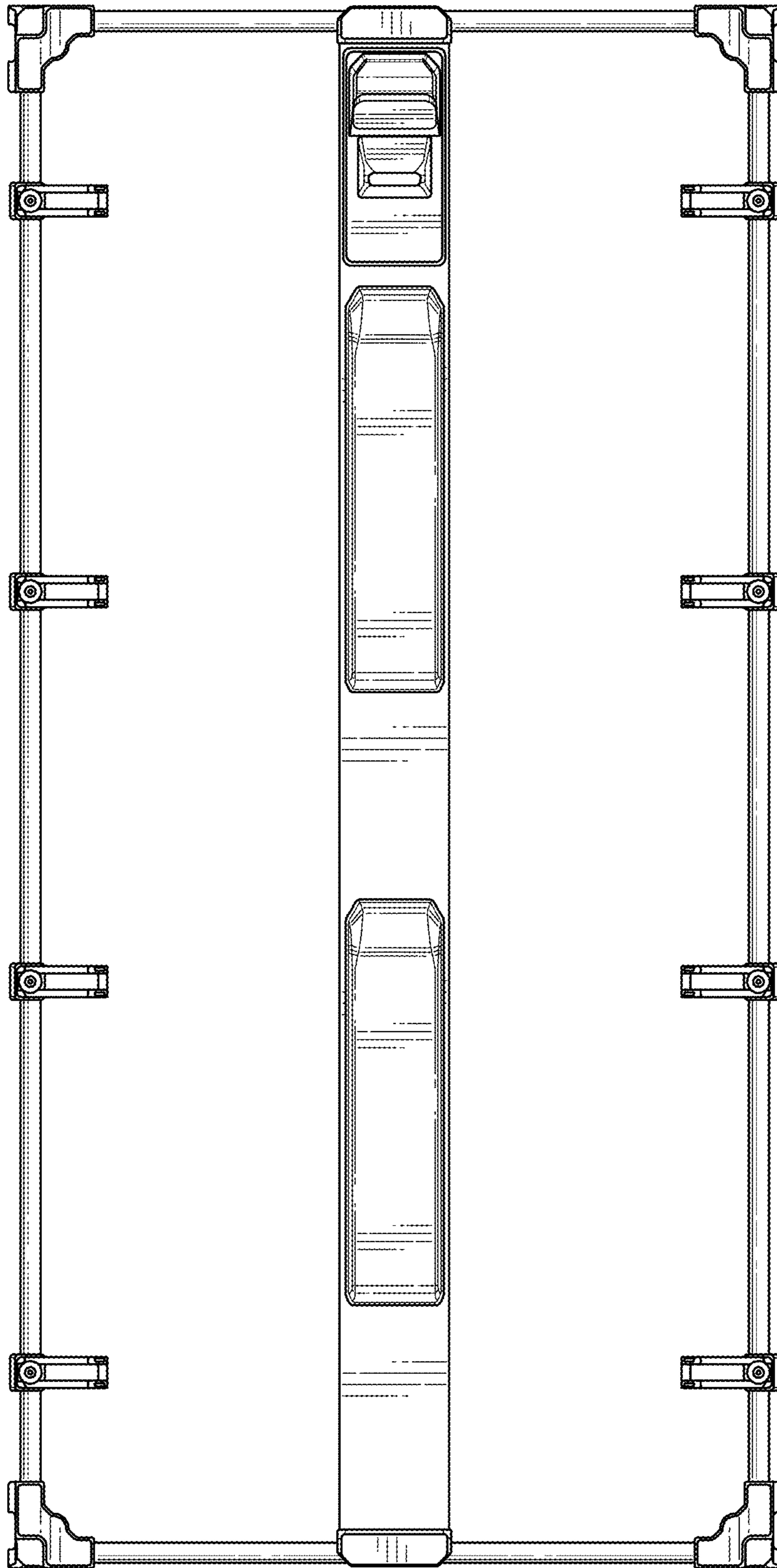


FIG. 14

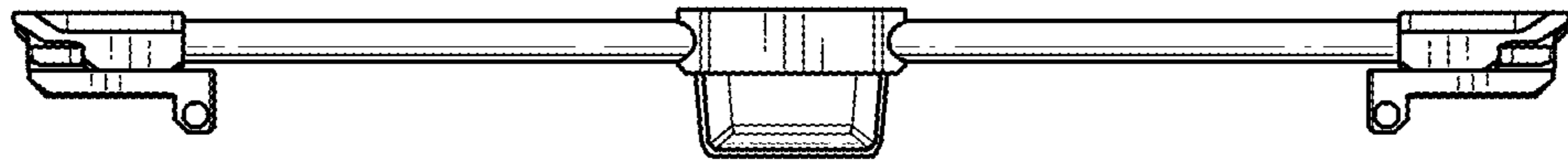


FIG. 15

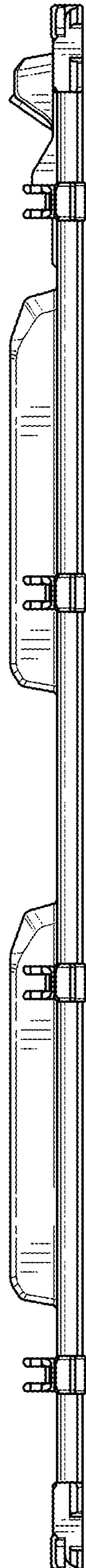


FIG. 16

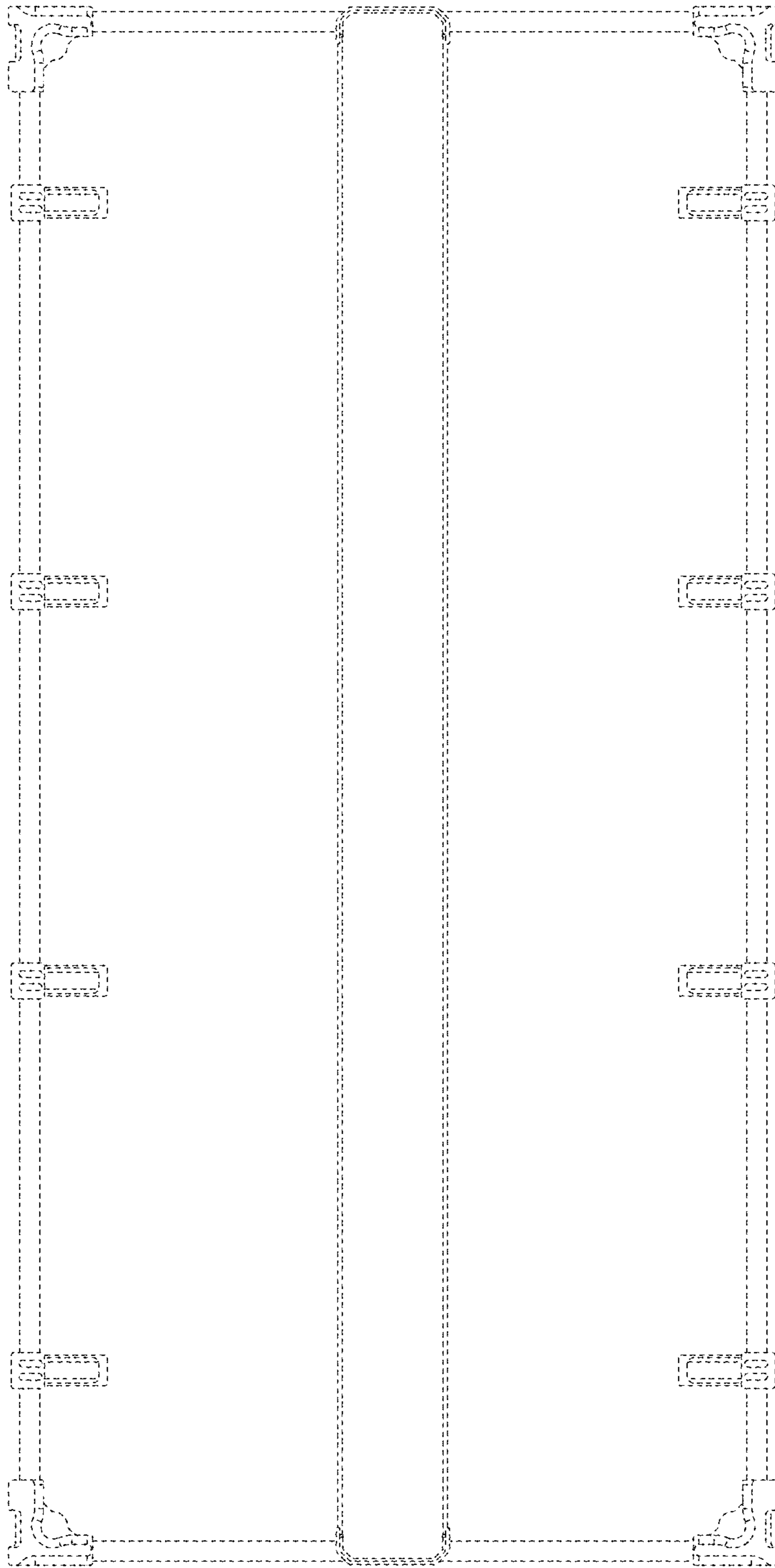


FIG. 17

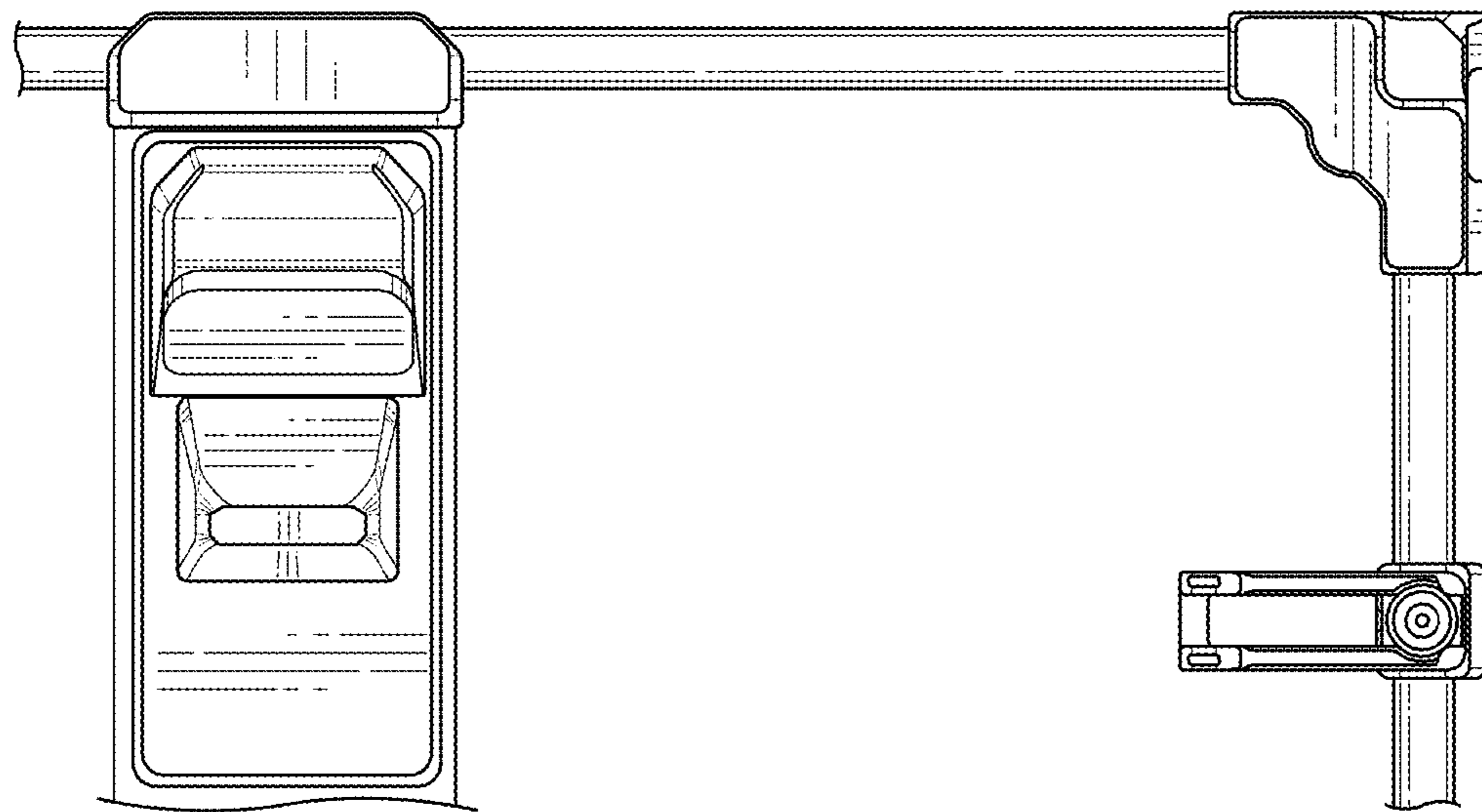


FIG. 18

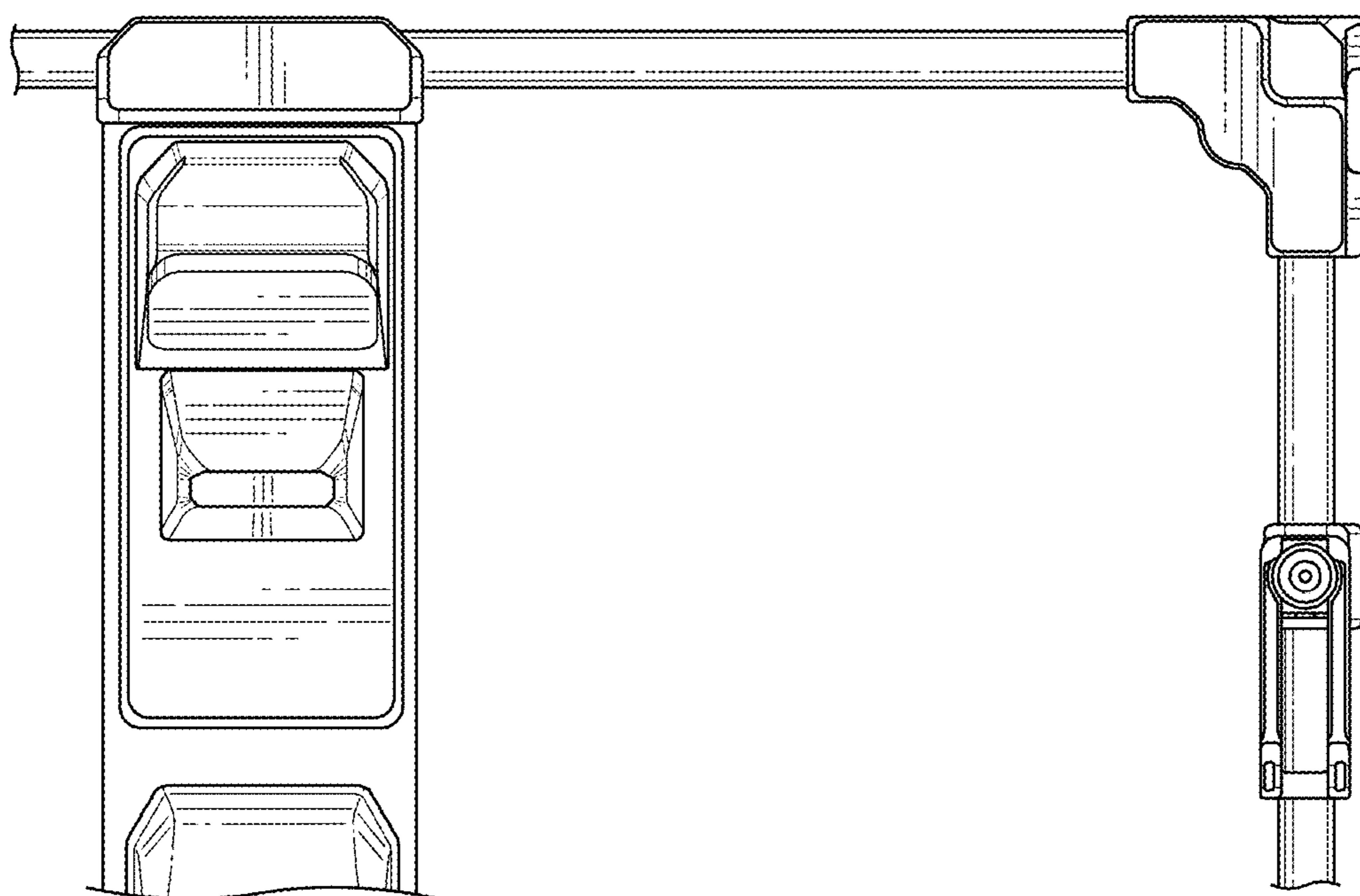


FIG. 19

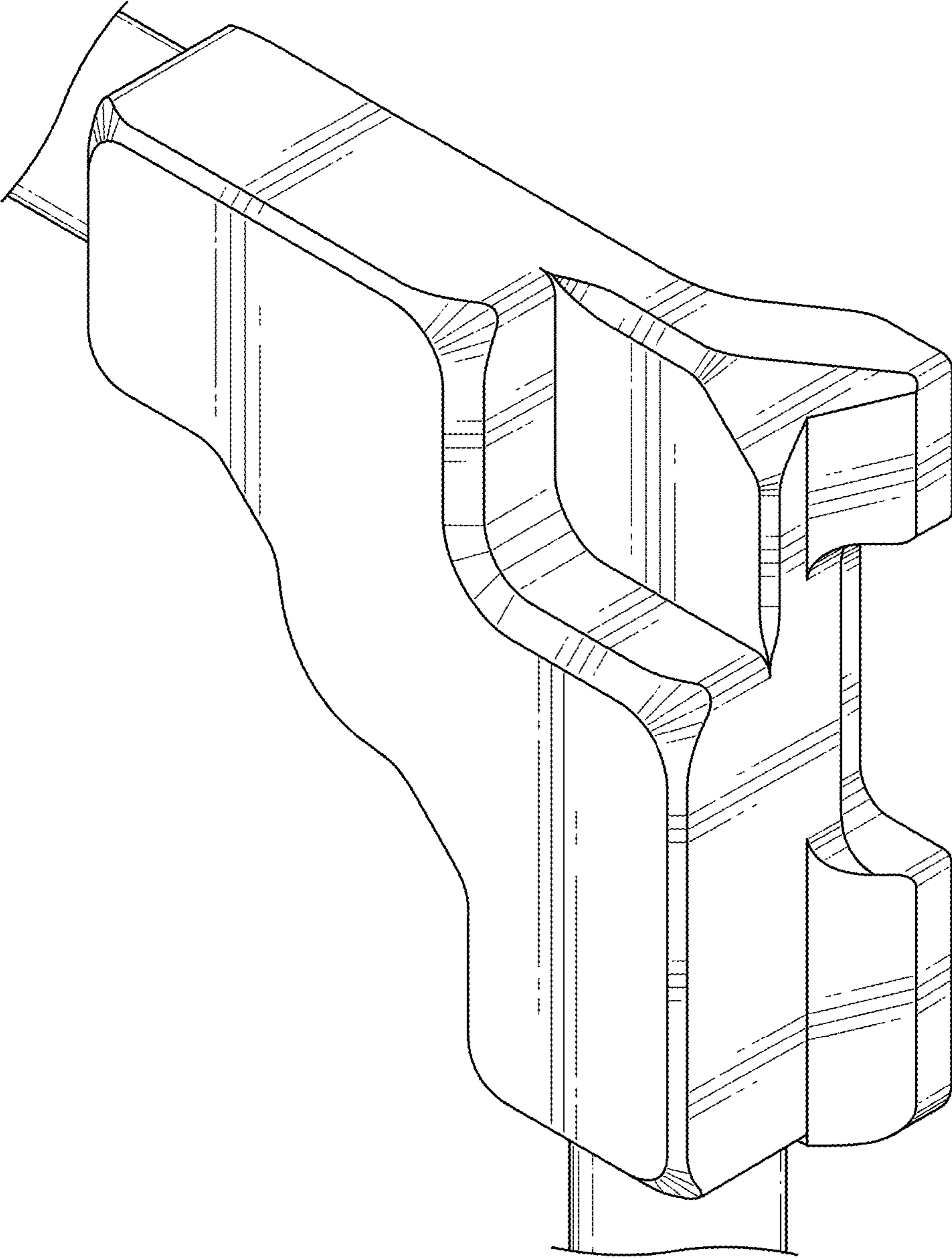


FIG. 20