



US00D770428S

(12) **United States Design Patent** (10) **Patent No.:** **US D770,428 S**
Miller et al. (45) **Date of Patent:** **** Nov. 1, 2016**

(54) **MICROPHONE GRILLE**

(71) Applicant: **Shure Acquisition Holdings, Inc.**,
Niles, IL (US)

(72) Inventors: **John Miller**, Grayslake, IL (US); **John Born**, Park Ridge, IL (US); **John P. Devlin**, Tewksbury, MA (US); **Gabor Paulke**, Littleton, NH (US); **Anthony J. Parillo**, Sherborn, MA (US)

(73) Assignee: **Shure Acquisition Holdings, Inc.**,
Niles, IL (US)

(**) Term: **15 Years**

(21) Appl. No.: **29/530,809**

(22) Filed: **Jun. 19, 2015**

(51) **LOC (10) Cl.** **14-01**

(52) **U.S. Cl.**
USPC **D14/228; D14/225**

(58) **Field of Classification Search**
USPC D14/228, 225–227, 229; D13/168;
D26/49; D23/262; D15/143; 174/83;
16/2.2, 2.5; 381/361, 355, 357, 358,
381/359, 360, 111, 113, 122, 168, 169, 91;
181/158, 242; 455/95, 155, 117, 128,
455/129; 446/416; D21/717, 718, 730, 789;
473/387; D11/207, 36, 37
CPC H04R 5/027; H04R 3/00; H04R 19/04;
H04R 1/34
See application file for complete search history.

(56) **References Cited**

U.S. PATENT DOCUMENTS

2,118,993 A * 5/1938 Volf H04R 1/083
381/180
D118,575 S * 1/1940 Thomas, Jr. D23/262
D160,293 S * 10/1950 Axel D11/36
2,567,875 A * 9/1951 Carrington H04R 1/083
181/242
2,700,547 A * 1/1955 Kraeling, Jr. A63B 53/14
40/661.12

D205,403 S * 8/1966 Wilson D14/228
3,265,153 A * 8/1966 Burroughs H04R 1/08
181/158
D209,515 S * 12/1967 Thomsen D14/228

(Continued)

FOREIGN PATENT DOCUMENTS

TW M426236 U 4/2012

OTHER PUBLICATIONS

Search Report for Taiwan Patent Application No. 104306716 dated Mar. 22, 2016.

Primary Examiner — Paula Greene

(74) *Attorney, Agent, or Firm* — William J. Lenz, Esq.;
Neal, Gerber & Eisenberg LLP

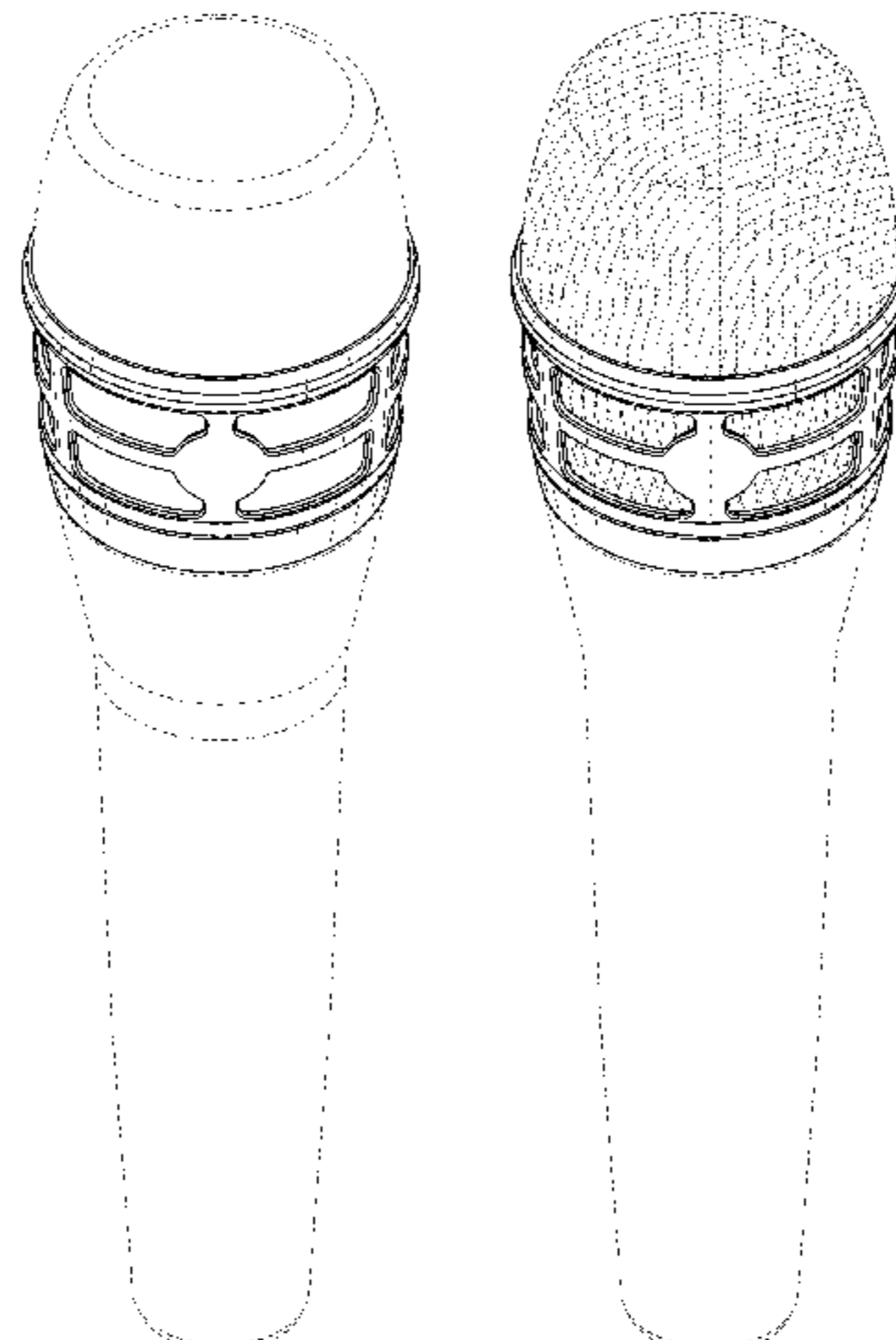
(57) **CLAIM**

The ornamental design for a microphone grille, as shown and described.

DESCRIPTION

FIG. 1 is a top perspective view of the microphone grille in accordance with a first embodiment;
FIG. 2 is a first side elevational view thereof, the opposing side being a mirror image of FIG. 2;
FIG. 3 is a second side elevational view thereof;
FIG. 4 is a third side elevational view thereof, the opposing side being a mirror image of FIG. 4;
FIG. 5 is a top plan view thereof;
FIG. 6 is a top perspective view of the microphone grille in accordance with a second embodiment;
FIG. 7 is a first side elevational view thereof, the opposing side being a mirror image of FIG. 7;
FIG. 8 is a second side elevational view thereof;
FIG. 9 is a third side elevational view thereof, the opposing side being a mirror image of FIG. 9; and,
FIG. 10 is a top plan view thereof.
The broken lines in the drawings illustrate the portions of the design that form no part of the claim.

1 Claim, 6 Drawing Sheets



(56)

References Cited

U.S. PATENT DOCUMENTS

D213,567 S * 3/1969 Kahn D14/228
 D218,315 S * 8/1970 Rusch D14/228
 3,536,863 A * 10/1970 Schenkel H04R 1/222
 381/165
 3,718,862 A * 2/1973 Norris H04B 5/06
 455/117
 D228,193 S * 8/1973 Pruyne D14/228
 3,934,100 A * 1/1976 Harada A61B 7/00
 181/135
 3,944,756 A * 3/1976 Lininger H04R 1/086
 381/111
 D239,722 S * 4/1976 Schmidt D14/228
 D247,707 S * 4/1978 Armstrong D14/228
 D253,468 S * 11/1979 Peterson D14/228
 D263,163 S * 2/1982 Olde D23/262
 4,344,184 A * 8/1982 Edwards H04B 1/04
 343/702
 4,633,045 A * 12/1986 Bartlett H04R 1/38
 381/345
 D295,759 S * 5/1988 Kolich D14/226
 D296,100 S * 6/1988 Kubota D14/228
 D296,435 S * 6/1988 Kubota D14/228
 D300,821 S * 4/1989 Kubota D14/228
 D300,822 S * 4/1989 Kubota D14/228
 D302,819 S * 8/1989 Kubota D14/225
 4,910,795 A * 3/1990 McCowen H04R 1/083
 381/355

5,357,577 A * 10/1994 Waji H04R 1/04
 361/704
 5,675,660 A * 10/1997 Townsend H04R 1/086
 381/189
 5,706,359 A * 1/1998 Chang H04R 1/08
 381/355
 5,742,697 A * 4/1998 Ching-Chung H04R 1/083
 381/355
 D407,407 S * 3/1999 Okon D14/228
 D444,782 S * 7/2001 Chung D14/228
 D473,633 S * 4/2003 Chun-Lee D23/262
 6,597,796 B2 * 7/2003 Chang H04R 9/08
 338/178
 D479,837 S * 9/2003 Sundquist D14/228
 D482,151 S * 11/2003 Shiu D26/49
 D492,743 S * 7/2004 Boyarko D21/717
 D498,232 S * 11/2004 Ruhrig D14/228
 D498,865 S * 11/2004 Mah D26/49
 D504,678 S * 5/2005 Ruhrig D14/228
 D530,705 S * 10/2006 Shen D14/225
 D530,706 S * 10/2006 Gustafson D14/228
 D531,171 S * 10/2006 Gustafson D14/228
 D572,706 S * 7/2008 Schaefer D14/223
 D594,856 S * 6/2009 Marshall D14/228
 D623,631 S * 9/2010 Kung D14/228
 8,588,452 B2 * 11/2013 Matsui H04R 1/086
 381/355
 D724,685 S * 3/2015 Carroll D21/789
 D751,533 S * 3/2016 Godfrey D14/228
 2005/0157892 A1 * 7/2005 Chiu H04B 5/06
 381/111

* cited by examiner

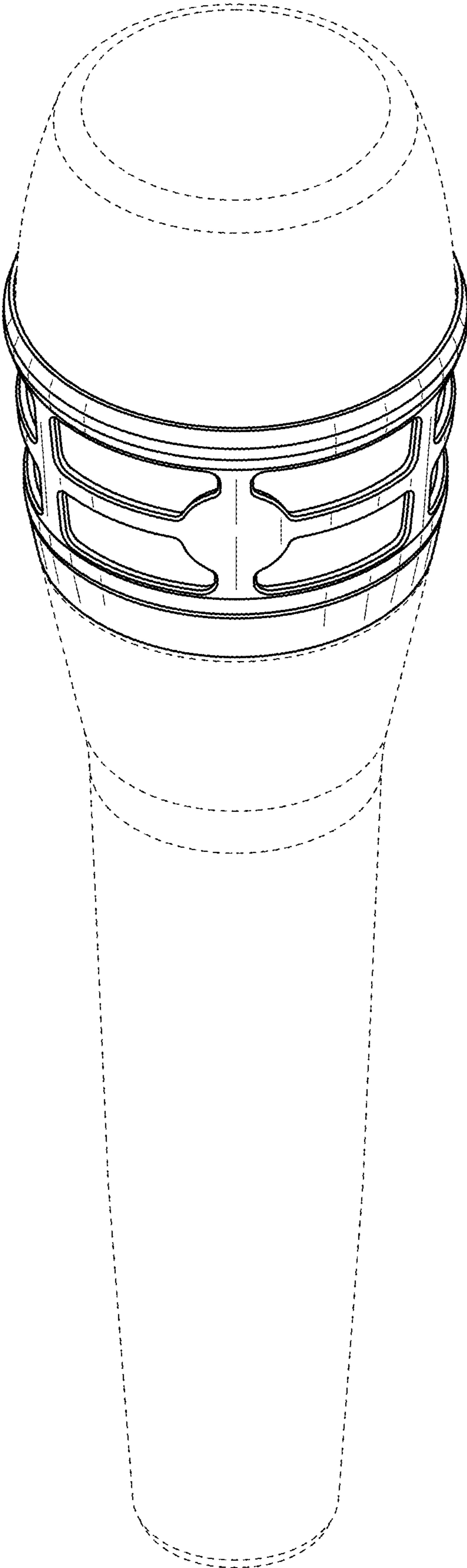
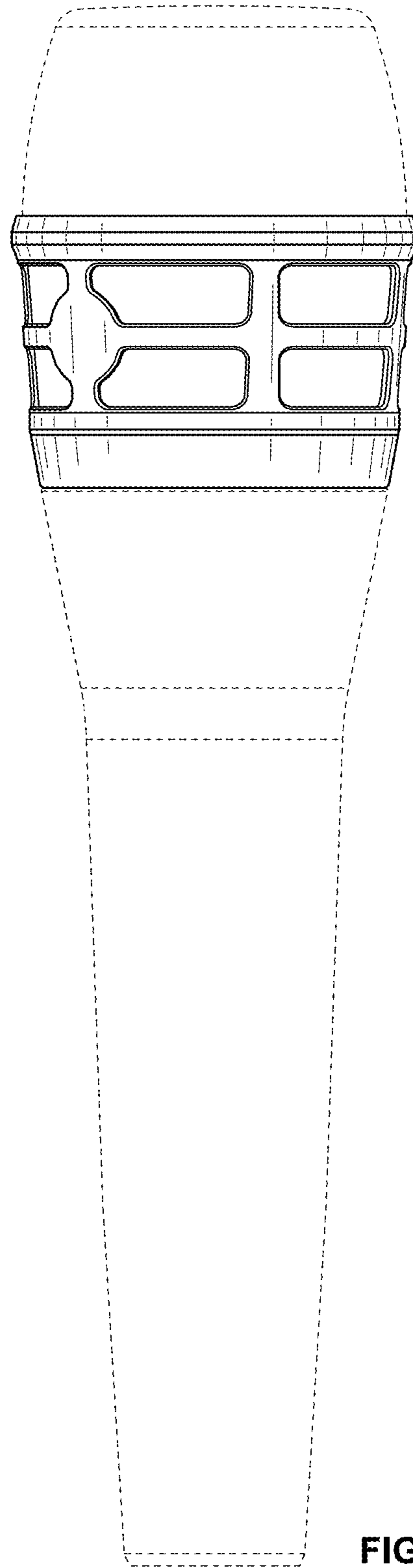
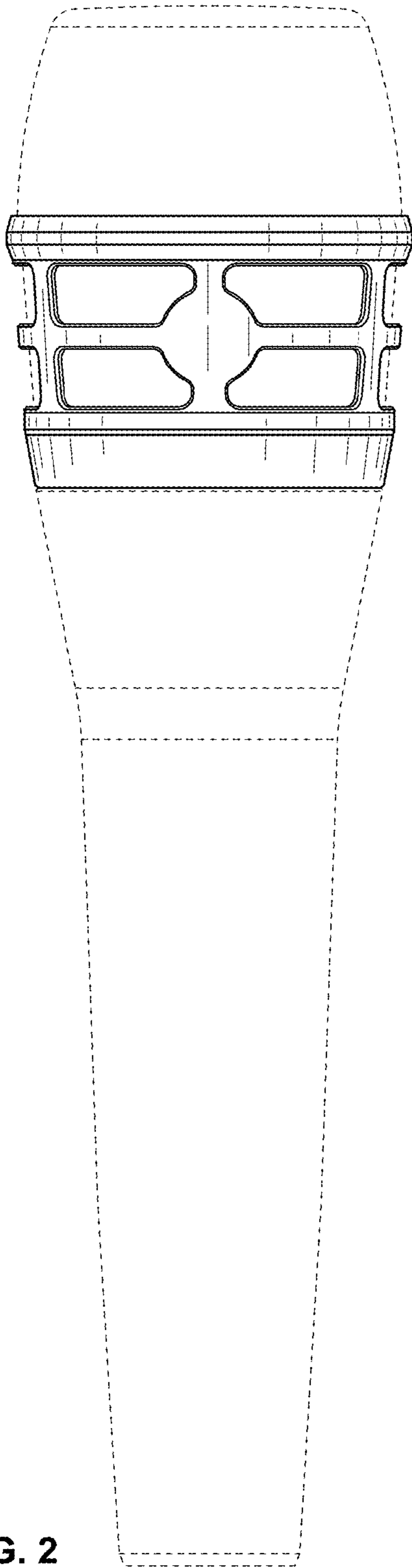


FIG. 1



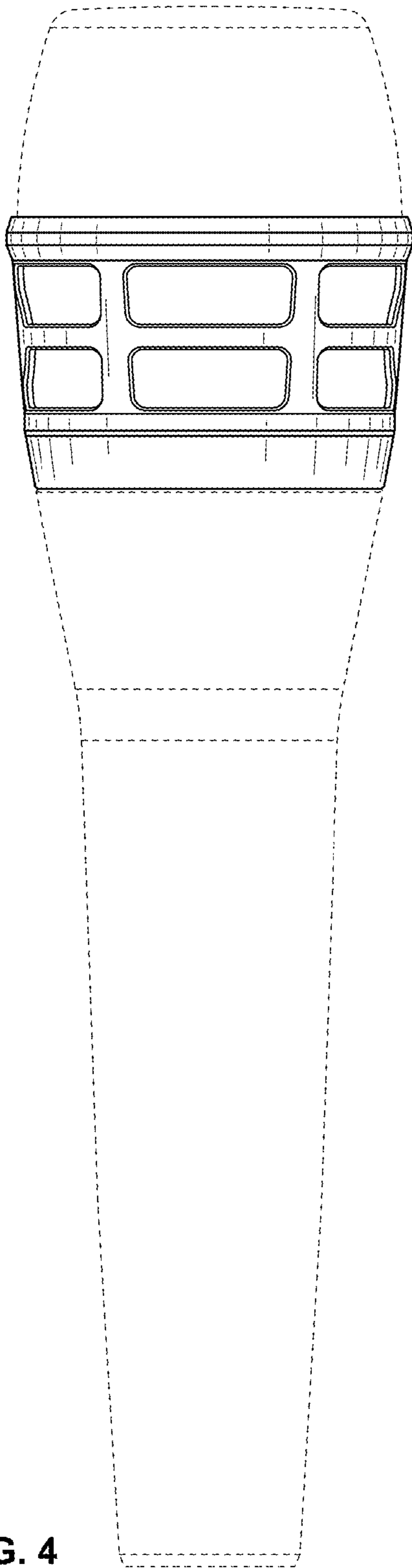


FIG. 4

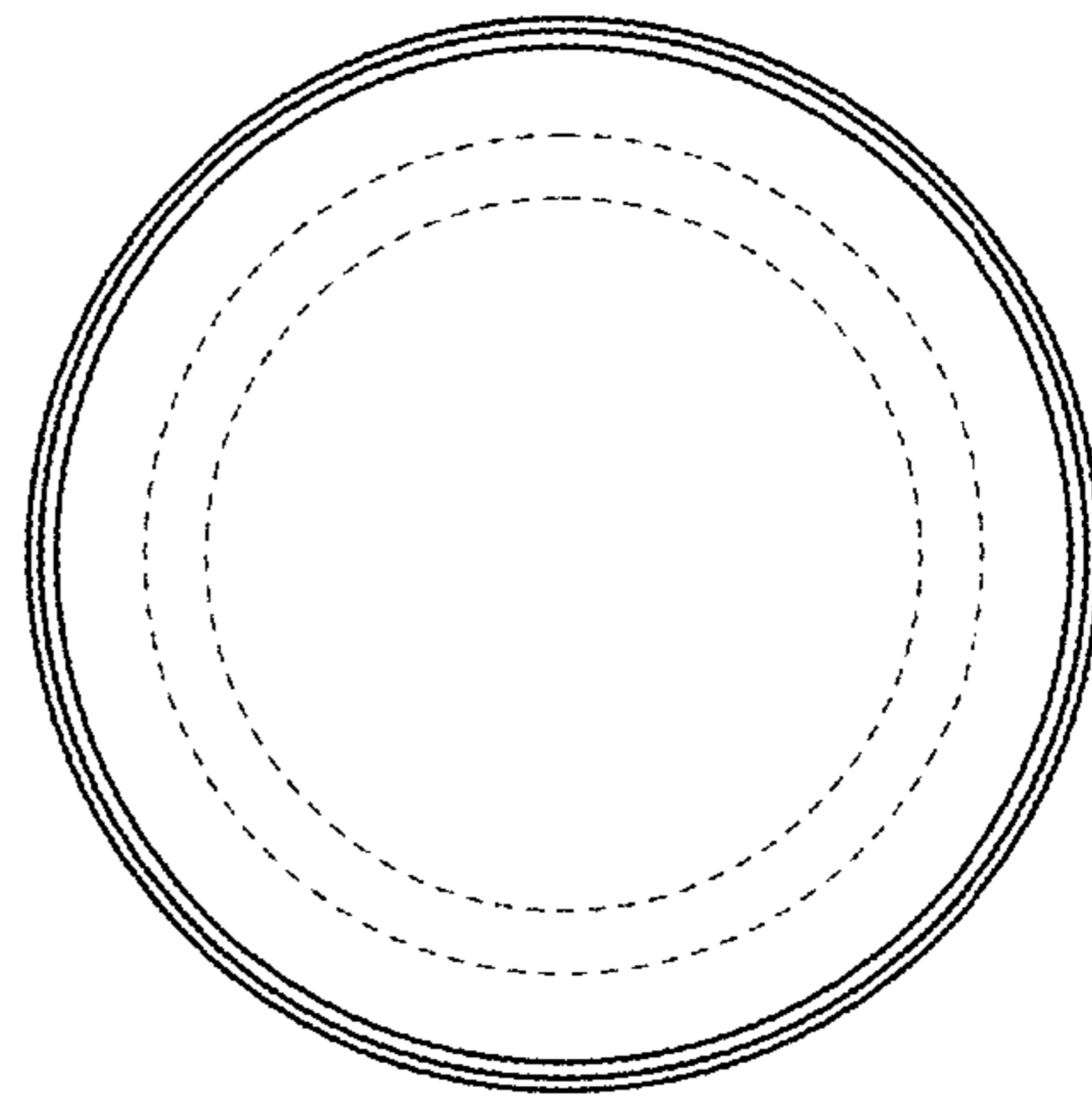


FIG. 5

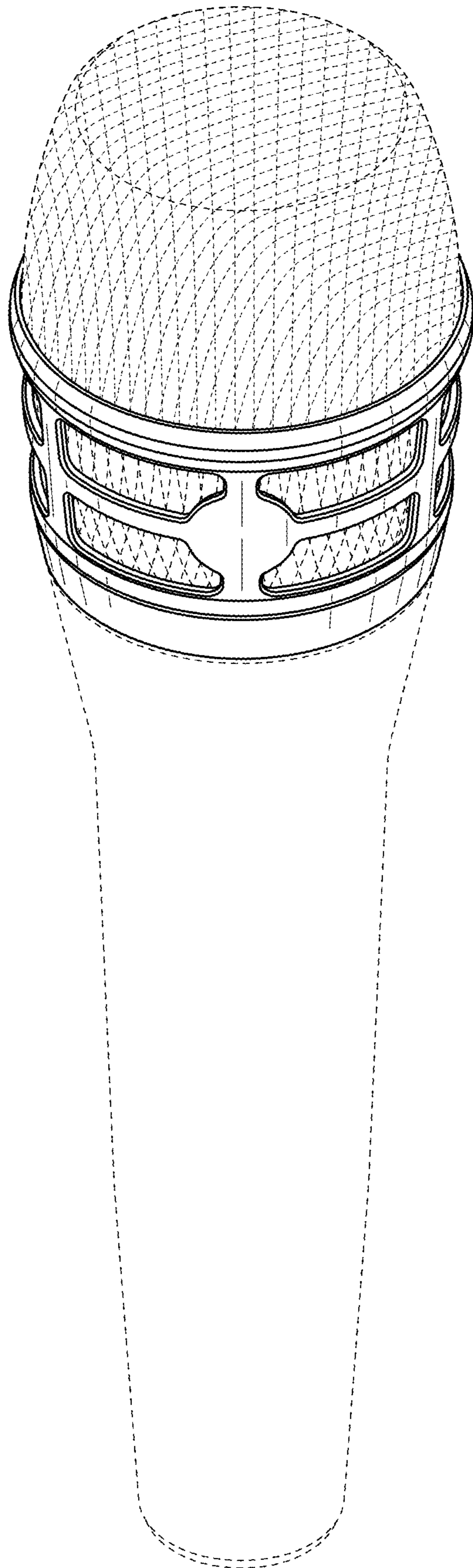


FIG. 6

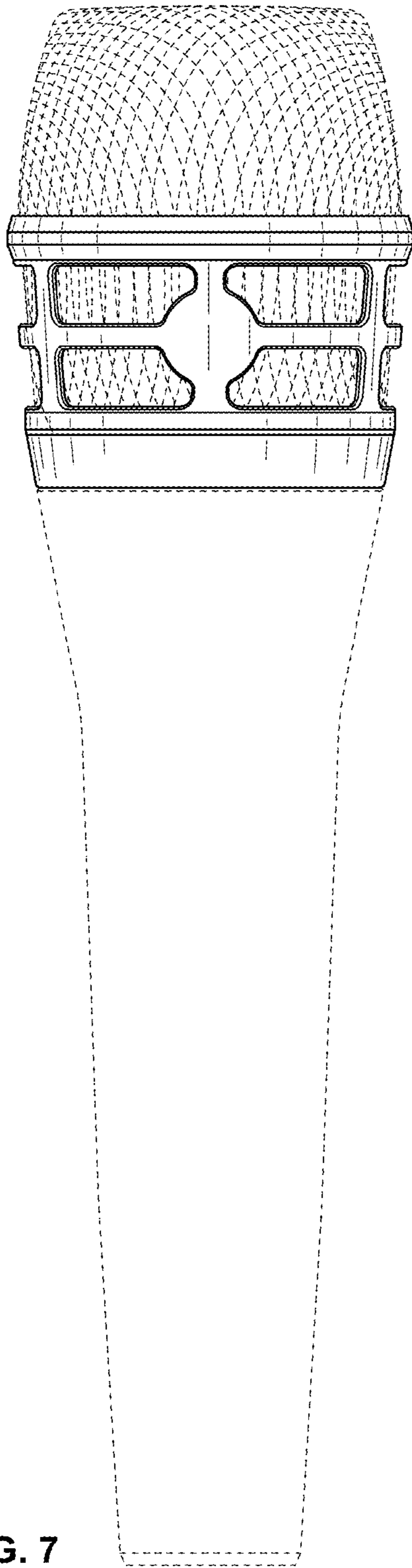


FIG. 7

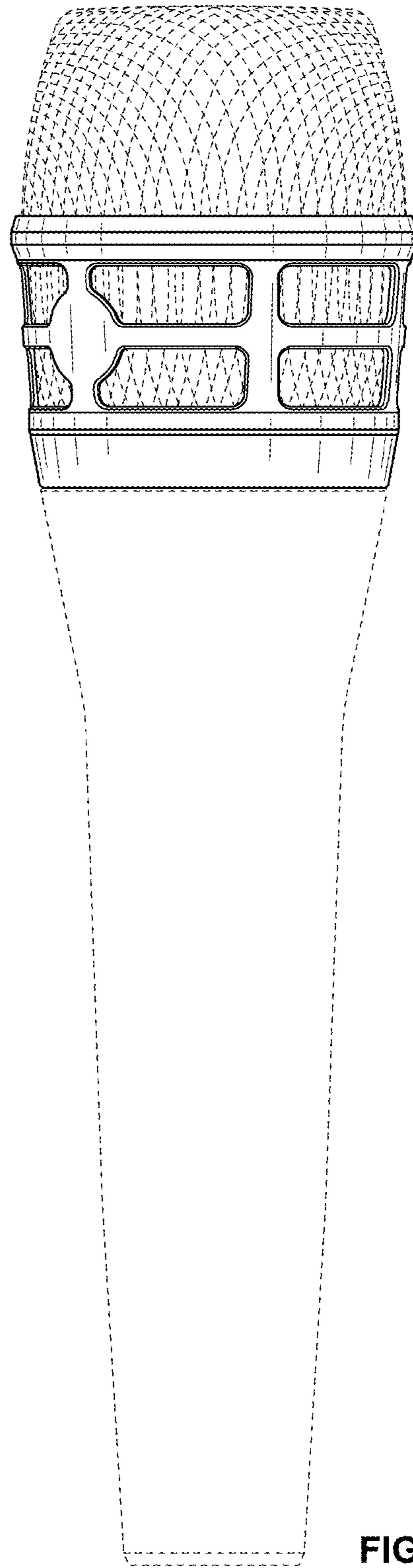


FIG. 8

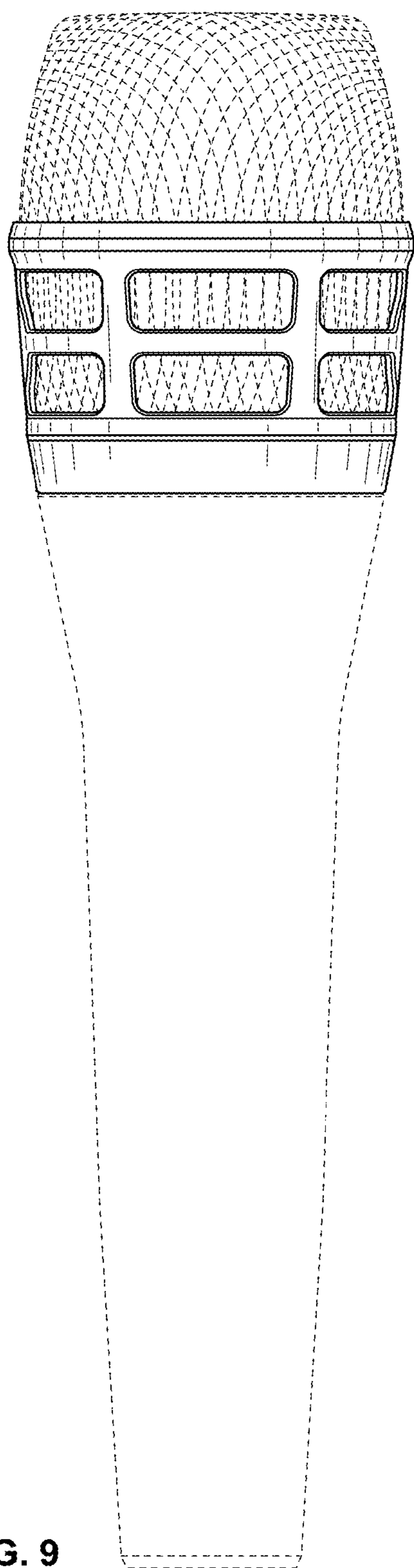


FIG. 9

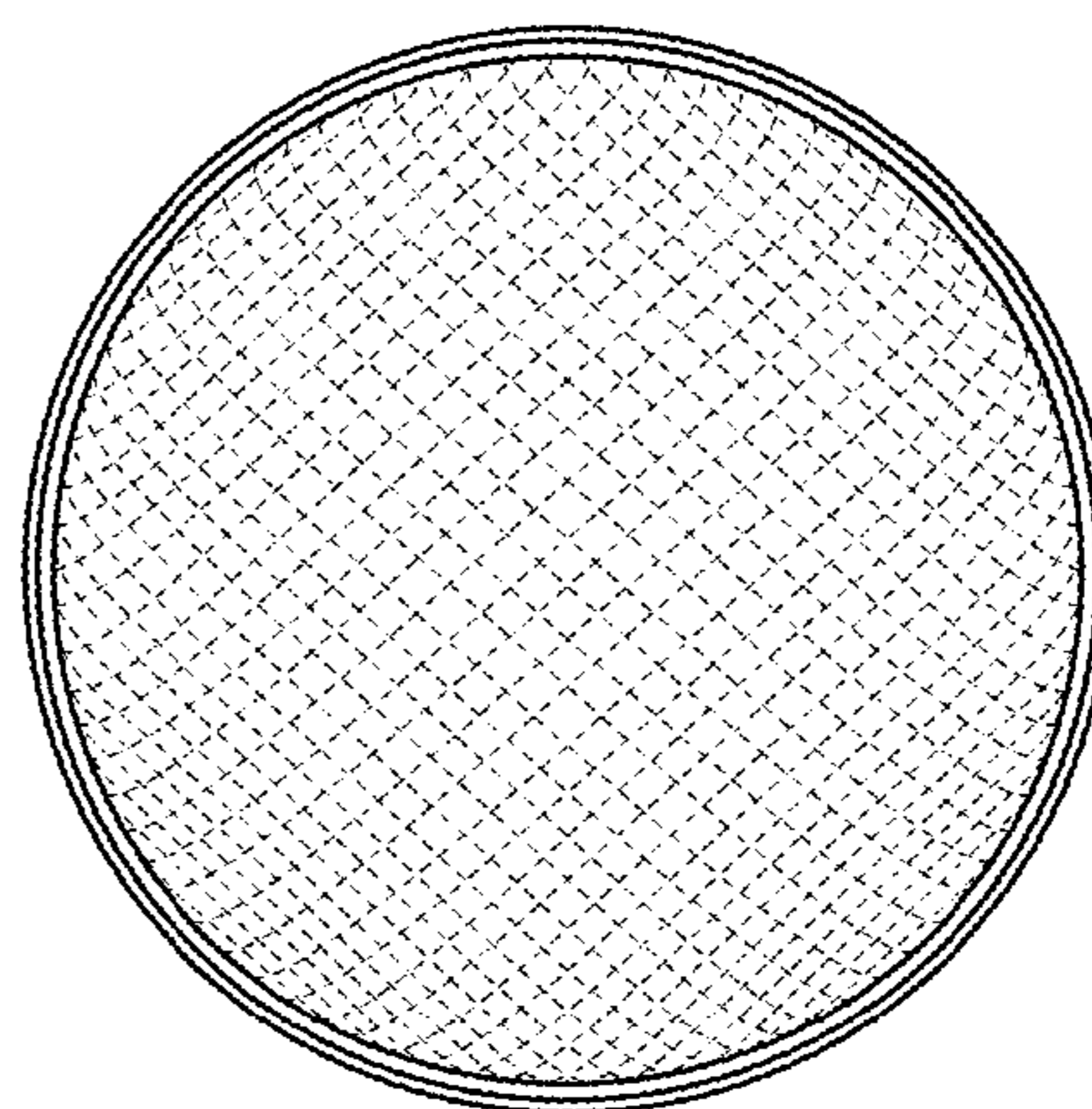


FIG. 10