



US00D770424S

(12) **United States Design Patent** (10) **Patent No.:** **US D770,424 S**
Jaynes (45) **Date of Patent:** **** *Nov. 1, 2016**

- (54) **PAIR OF EARBUDS**
- (71) Applicant: **Stephen R. Jaynes**, Pleasant Grove, UT (US)
- (72) Inventor: **Stephen R. Jaynes**, Pleasant Grove, UT (US)
- (73) Assignee: **Wicked Audio, Inc.**, Lindon, UT (US)
- (*) Notice: This patent is subject to a terminal disclaimer.
- (**) Term: **14 Years**
- (21) Appl. No.: **29/469,762**
- (22) Filed: **Oct. 14, 2013**
- (51) **LOC (10) Cl.** **14-01**
- (52) **U.S. Cl.**
USPC **D14/223**; D14/205
- (58) **Field of Classification Search**
USPC D14/223, 205; 181/129, 130, 135; 379/430, 431; 381/380, 381; 455/90.3, 455/575.1; D29/112; 24/223 R, 102 PL, 24/299.01, 124.11; D11/202; D2/607, D2/609; 2/145, 245; 63/40
CPC H04R 25/00; H04R 1/10
See application file for complete search history.

(56) **References Cited**

U.S. PATENT DOCUMENTS

1,852,130	A *	4/1932	Schier	381/380
2,474,135	A	6/1949	White		
2,641,327	A	6/1953	Balmer		
D206,797	S *	1/1967	Kusisto	D11/202
3,353,231	A *	11/1967	Levine	24/113 R
3,354,471	A *	11/1967	Longo	2/174
4,020,297	A	4/1977	Brodie		
4,070,778	A *	1/1978	Mahler et al.	40/124.11
D266,417	S *	10/1982	Perez	D14/165
4,453,050	A	6/1984	Enokido		
4,783,822	A *	11/1988	Toole et al.	381/379
4,829,571	A	5/1989	Kakiuchi et al.		
5,361,378	A	11/1994	Traini, Jr.		

5,412,736	A	5/1995	Keliiliki		
5,625,171	A	4/1997	Marshall		
5,812,683	A	9/1998	Parker et al.		
6,203,070	B1 *	3/2001	Richardson	283/117
D467,580	S *	12/2002	Mori	D14/223
6,626,704	B1	9/2003	Pikel		
6,700,981	B1	3/2004	Howard		
6,902,029	B2 *	6/2005	Weise	181/129
6,985,592	B1	1/2006	Ban et al.		
6,988,905	B2	1/2006	Corey et al.		

(Continued)

FOREIGN PATENT DOCUMENTS

JP	2006-086980	A	3/2006
WO	WO 98/49867		11/1998
WO	WO 2007/053743	A2	5/2007

Primary Examiner — Paula Greene

(74) *Attorney, Agent, or Firm* — Kirton McConkie; David B. Tingey; Bryant J. Keller

(57) **CLAIM**

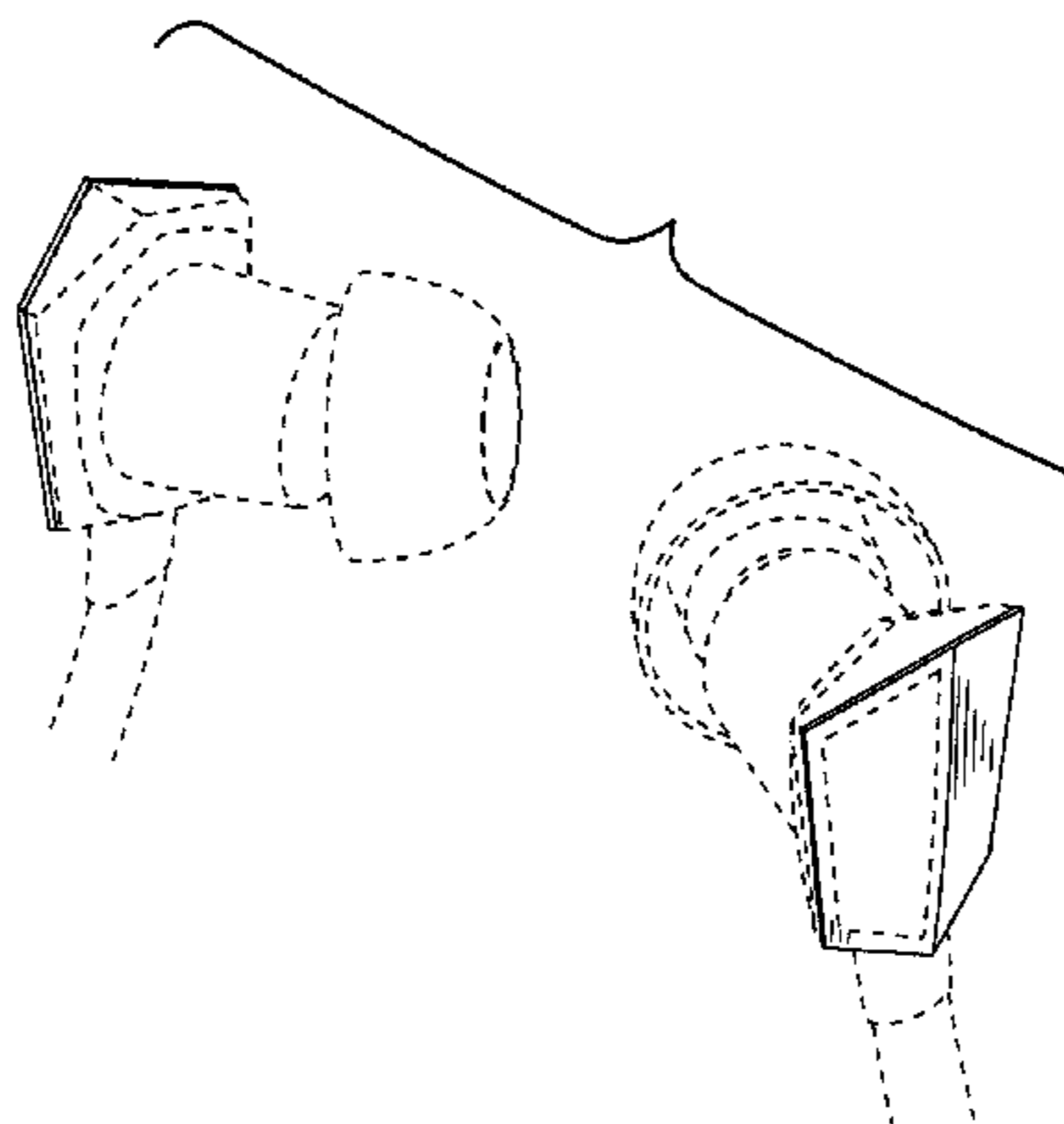
The ornamental design for a pair of earbuds, as shown and described.

DESCRIPTION

FIG. 1 is a perspective view showing a representative embodiment of my new pair of earbuds design;
 FIG. 2 is a back planar view of the embodiment shown in FIG. 1;
 FIG. 3 is a front planar view of the embodiment shown in FIG. 1;
 FIG. 4 is a left, side planar view of a representative embodiment of one earbud shown separately for purposes of illustration;
 FIG. 5 is a right, side planar view of a representative embodiment of one earbud shown separately for purposes of illustration;
 FIG. 6 is a top planar view of the embodiment shown in FIG. 1; and,
 FIG. 7 is a bottom planar view of the embodiment shown in FIG. 1.

The broken lines form no part of the claimed design.

1 Claim, 4 Drawing Sheets



(56)

References Cited

U.S. PATENT DOCUMENTS

7,174,196 B2 2/2007 Matsuda
 D556,187 S * 11/2007 Feng D14/205
 7,388,960 B2 6/2008 Kuo et al.
 7,395,090 B2 7/2008 Alden
 D585,053 S * 1/2009 Zeiss et al. D14/223
 7,480,388 B1 * 1/2009 Crook 381/322
 D606,970 S * 12/2009 Semcken D14/205
 7,739,816 B2 * 6/2010 Kowatari 40/124.09
 D635,547 S * 4/2011 Komiyama D14/205
 D641,736 S * 7/2011 Brunner et al. D14/223

D645,445 S * 9/2011 Kolton D14/205
 D656,128 S * 3/2012 Park D14/223
 D660,826 S * 5/2012 Brunner et al. D14/223
 D670,275 S * 11/2012 Tompkin et al. D14/223
 D676,026 S * 2/2013 Lee et al. D14/223
 D685,345 S * 7/2013 Serota D14/205
 8,474,163 B2 * 7/2013 Rubin 40/124.06
 D688,648 S * 8/2013 Li et al. D14/205
 D696,648 S * 12/2013 Siebenberg et al. D14/223
 2003/0210801 A1 11/2003 Naksen et al.
 2008/0175406 A1 7/2008 Smith
 2009/0285435 A1 11/2009 Nelson et al.
 2012/0140973 A1 6/2012 Olodort et al.

* cited by examiner

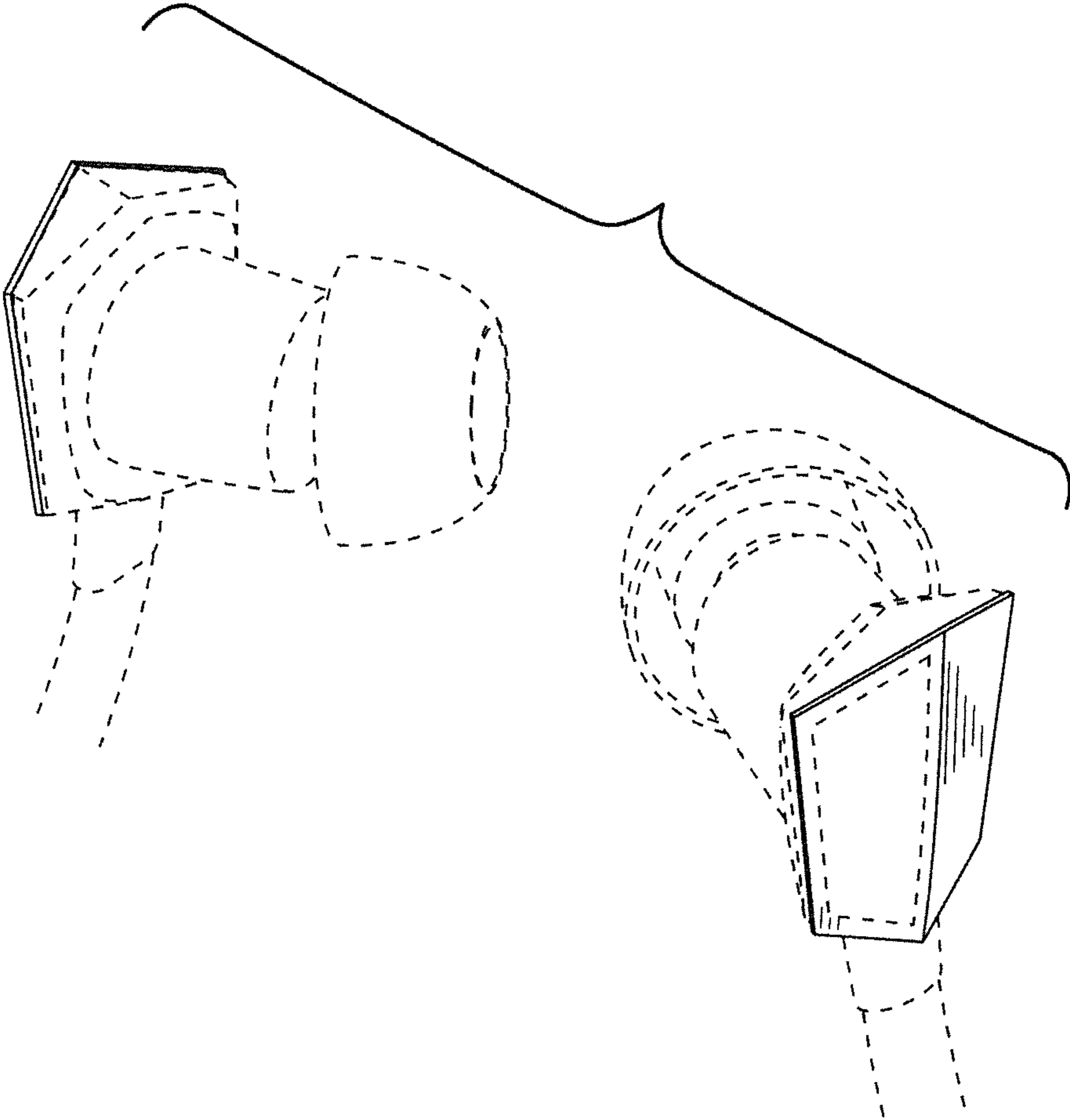


FIG. 1

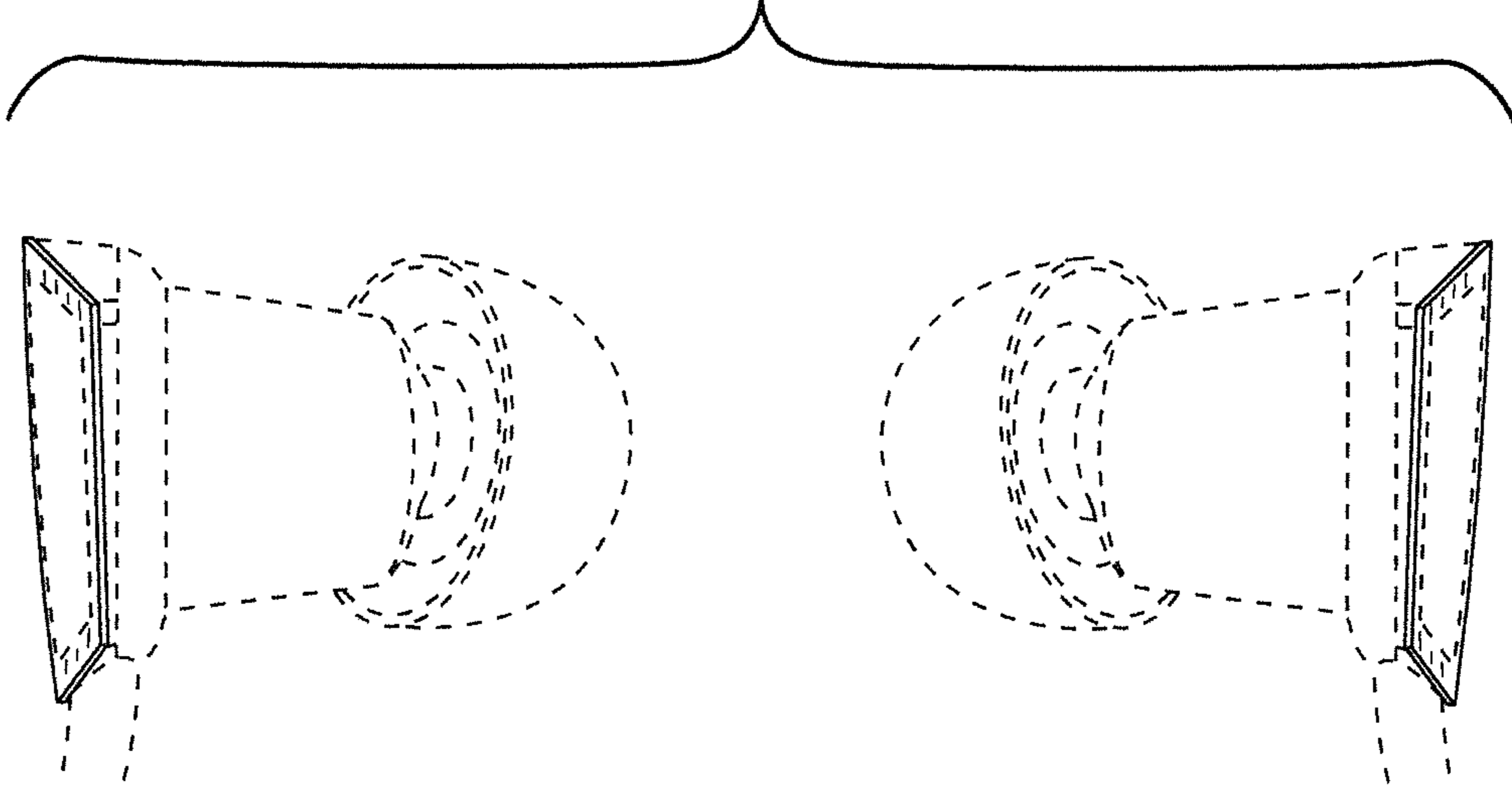


FIG. 2

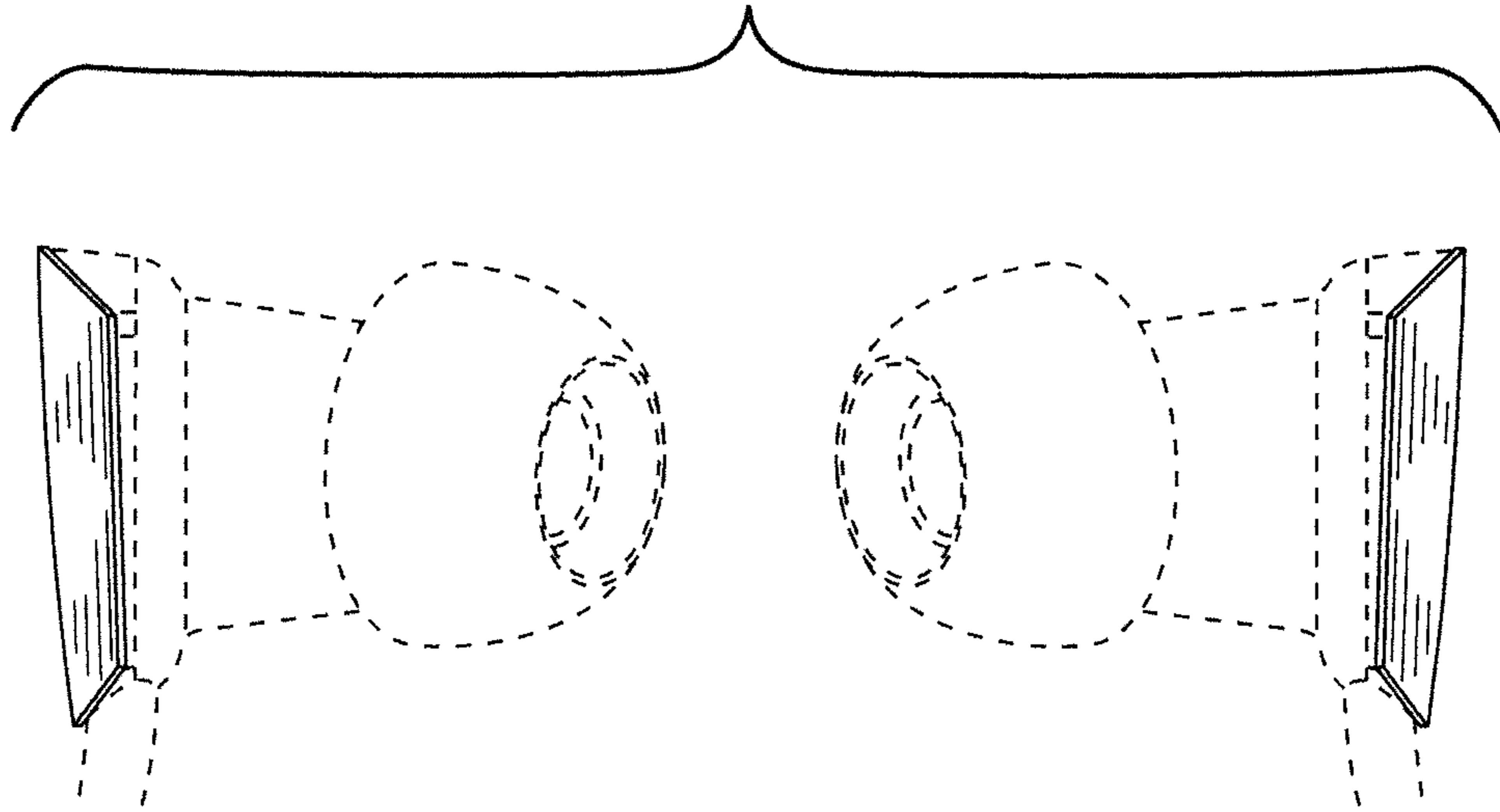


FIG. 3

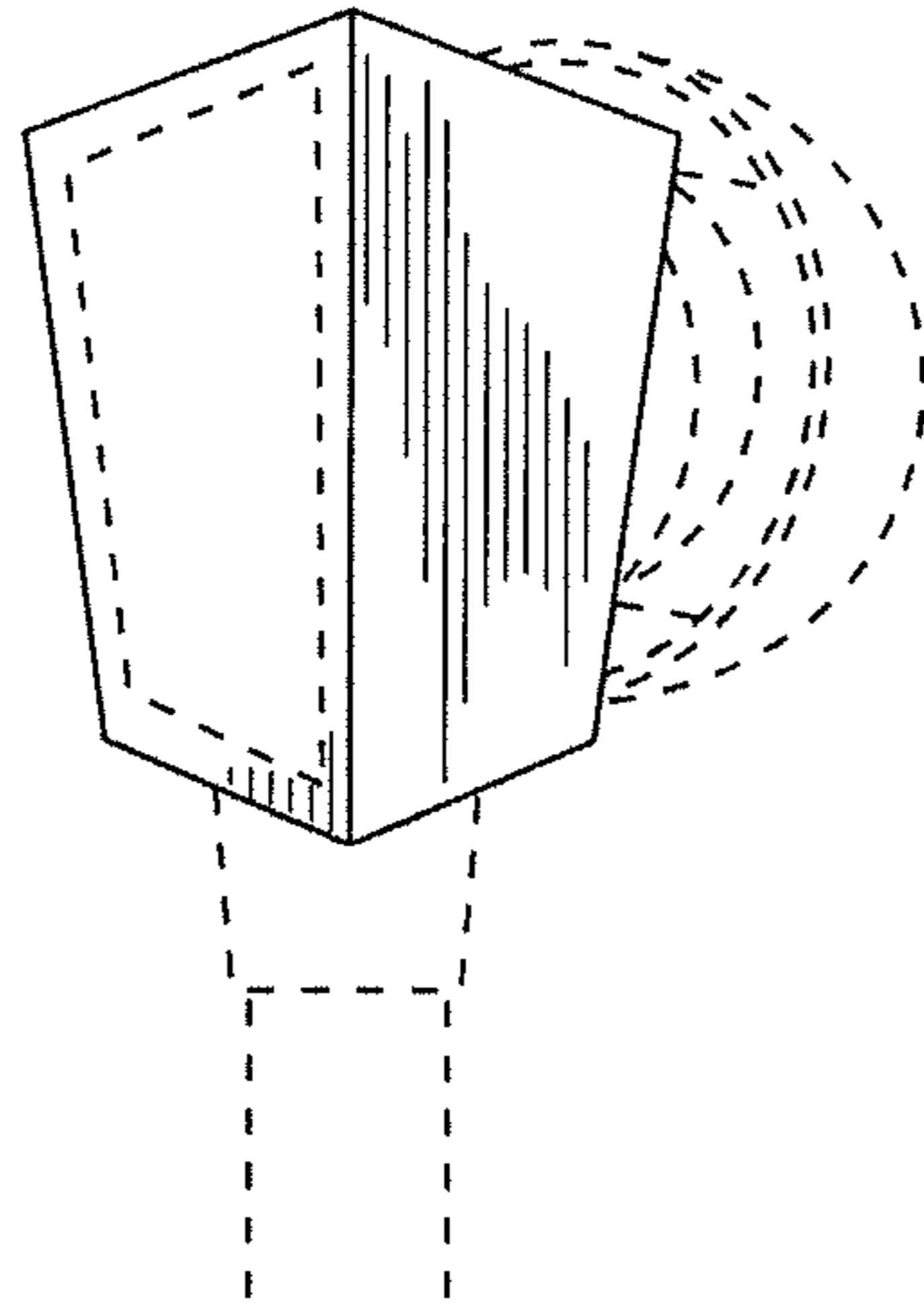


FIG. 4

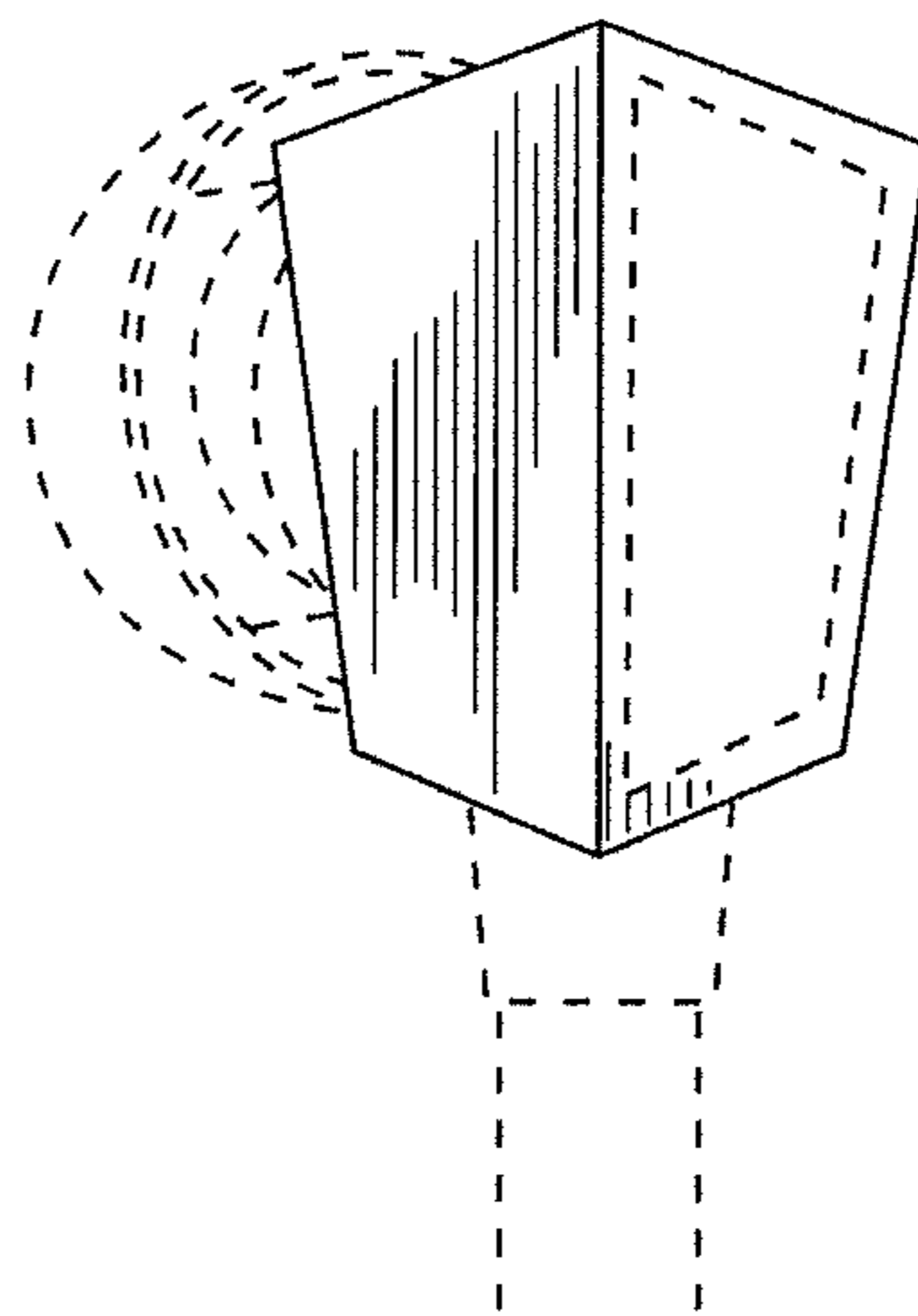


FIG. 5

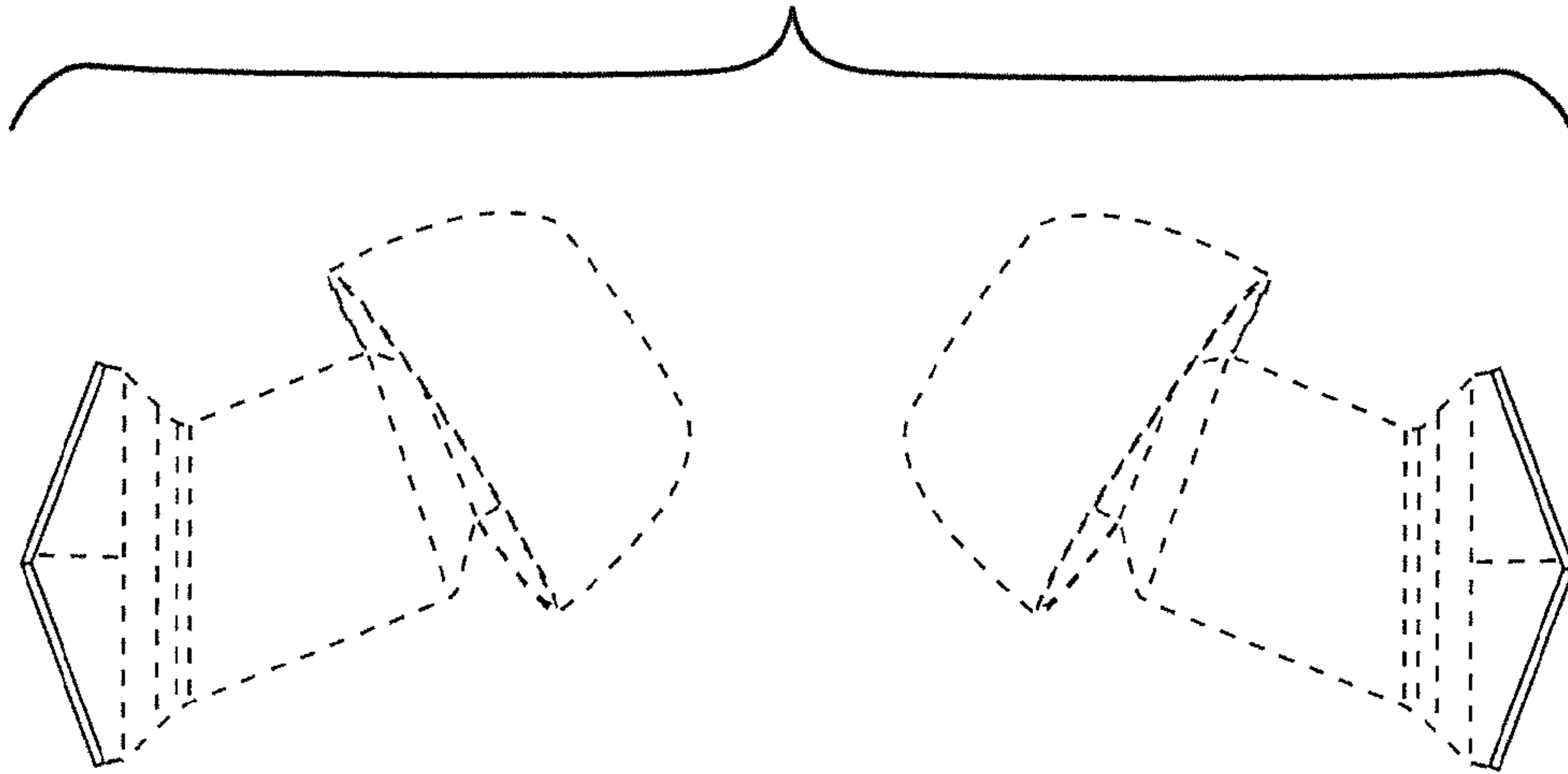


FIG. 6

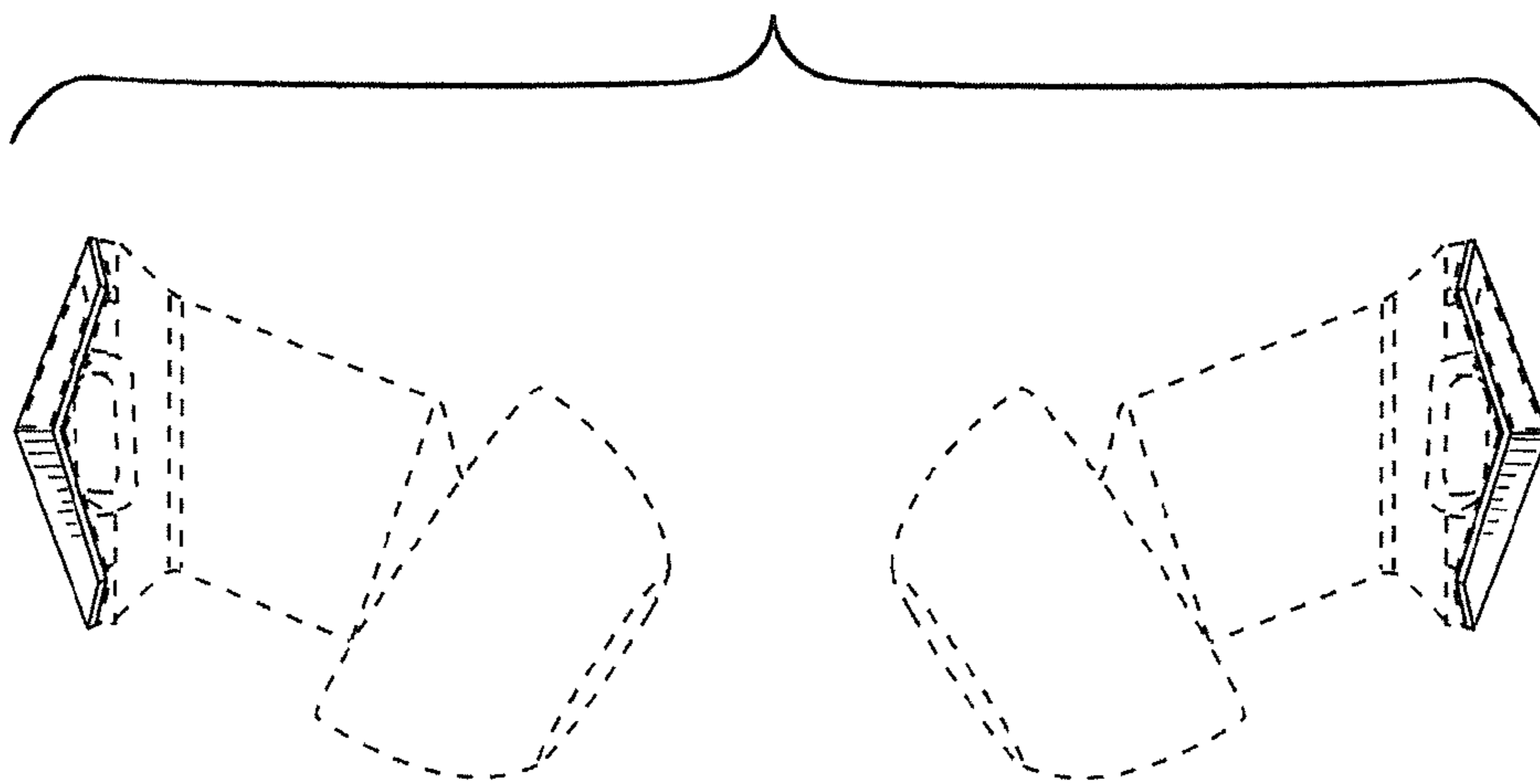


FIG. 7