



US00D770423S

(12) **United States Design Patent** (10) **Patent No.:** **US D770,423 S**
Osborn et al. (45) **Date of Patent:** **** Nov. 1, 2016**

(54) **WATER-RESISTANT, BATTERY-POWERED SPEAKER FOR HANDHELD DEVICES**

(71) Applicants: **Warren Robert Osborn**, Provo, UT (US); **John Craig Cheney**, Orem, UT (US)

(72) Inventors: **Warren Robert Osborn**, Provo, UT (US); **John Craig Cheney**, Orem, UT (US)

(**) Term: **14 Years**

(21) Appl. No.: **29/506,907**

(22) Filed: **Oct. 21, 2014**

Related U.S. Application Data

(63) Continuation of application No. 29/455,121, filed on May 16, 2013, now Pat. No. Des. 715,766.

(51) **LOC (10) Cl.** **14-03**

(52) **U.S. Cl.**
USPC **D14/221**; D14/204

(58) **Field of Classification Search**
USPC D14/167, 168, 170-172, 188, 194-196, D14/204, 207, 209.1, 210-216, 221, 222, D14/224; 181/143, 144, 147, 148, 150, 153, 181/157, 198, 199; 381/300-303, 306, 332, 381/333, 336, 345, 361-364, 386-388; 369/6-12

CPC ... B60R 11/0217; H04M 1/03; H04M 1/035; H04N 5/642; H04N 21/4852; H04R 1/02; H04R 1/06; H04R 1/021; H04R 1/025; H04R 1/026; H04R 1/028; H04R 1/105; H04R 1/323; H04R 1/403; H04R 1/2803; H04R 1/2834; H04R 5/02; H04R 7/20; H04R 9/06; H04R 9/025; H04R 2201/021; H04R 2400/00; H04R 2400/07; H04R 2499/11; H04R 2499/13; H04R 2499/15; H04S 3/00; H04S 7/30; G06F 1/1688

See application file for complete search history.

(56) **References Cited**

U.S. PATENT DOCUMENTS

D334,418 S *	3/1993	Woo	D14/165
D452,490 S *	12/2001	Shintani	D14/171
D510,927 S *	10/2005	Harris, Jr.	D14/188
D513,612 S *	1/2006	Harris, Jr.	D14/168
D584,288 S *	1/2009	Kim	D14/211
D638,029 S *	5/2011	Uesugi	D14/168
D641,006 S *	7/2011	Anthony	D14/214
D655,272 S *	3/2012	Kawase	D14/194
D659,670 S *	5/2012	Goetzen	D14/194
D674,779 S *	1/2013	Joseph	D14/214
D704,076 S *	5/2014	Poandl	D10/15
D704,678 S *	5/2014	Katsumata	D14/203.1
D706,747 S *	6/2014	Yoshimura	D14/209.1
D709,855 S *	7/2014	Jonas	D13/107
D711,354 S *	8/2014	Florczak	D14/215
D715,766 S *	10/2014	Osborn	D14/210
D721,738 S *	1/2015	Hochman	D14/496
D723,003 S *	2/2015	Yoo	D14/215
D748,600 S *	2/2016	Deyaf	D14/204

* cited by examiner

Primary Examiner — Keli L Hill

(74) *Attorney, Agent, or Firm* — Angus C. Fox, III

(57) **CLAIM**

We claim the ornamental design for a water-resistant, battery-powered speaker for handheld devices, as shown and described.

DESCRIPTION

FIG. 1 is an isometric view of the water-resistant, battery-powered speaker for handheld devices, showing primarily the top, front and left side thereof;

FIG. 2 is an isometric view of the water-resistant, battery-powered speaker for handheld devices, showing primarily the top, front and right side thereof;

FIG. 3 is an isometric view of the water-resistant, battery-powered speaker for handheld devices, showing primarily the bottom, front and left side thereof;

FIG. 4 is an isometric view of the water-resistant, battery-powered speaker for handheld devices, showing primarily the bottom, front and right side thereof;

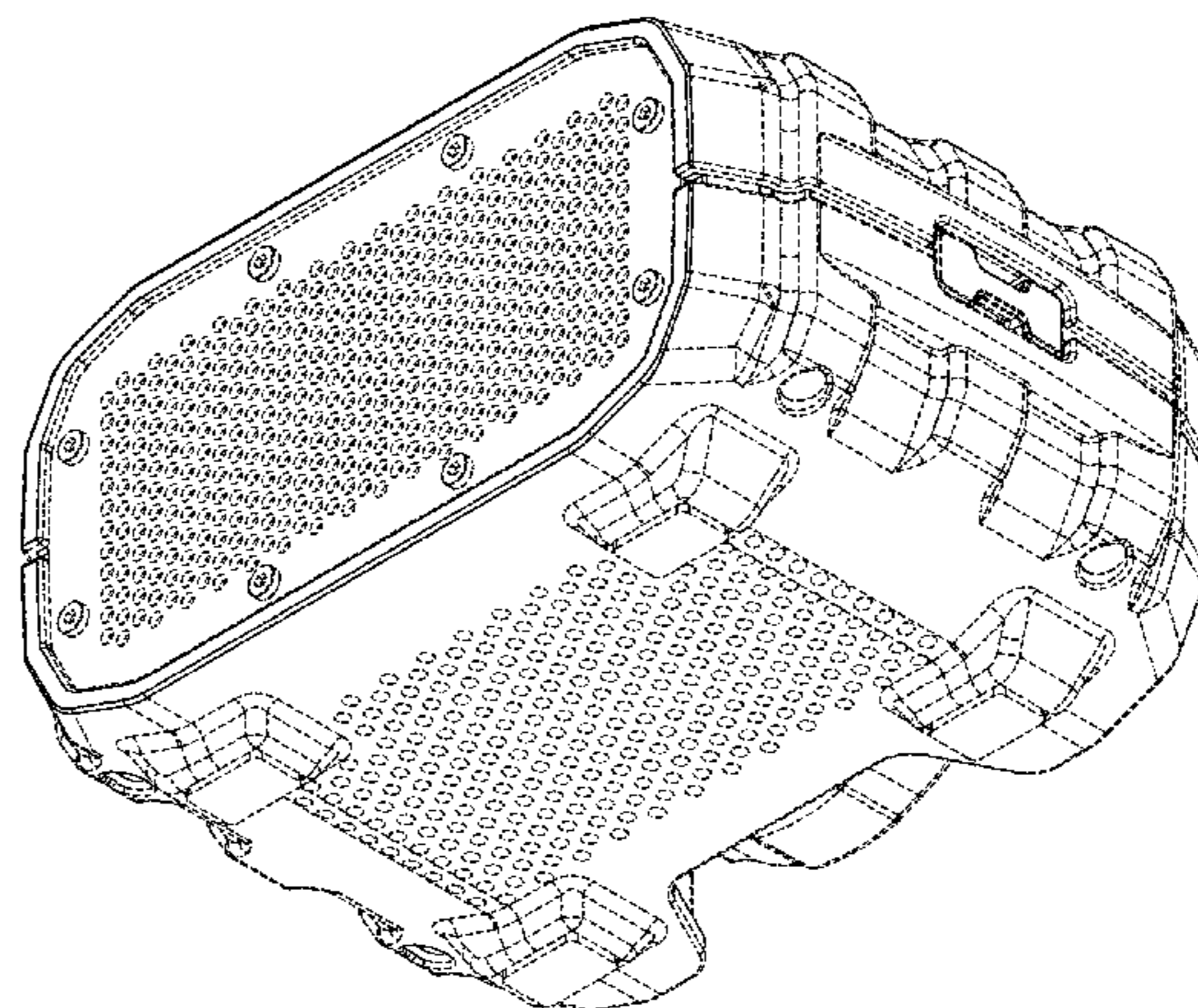
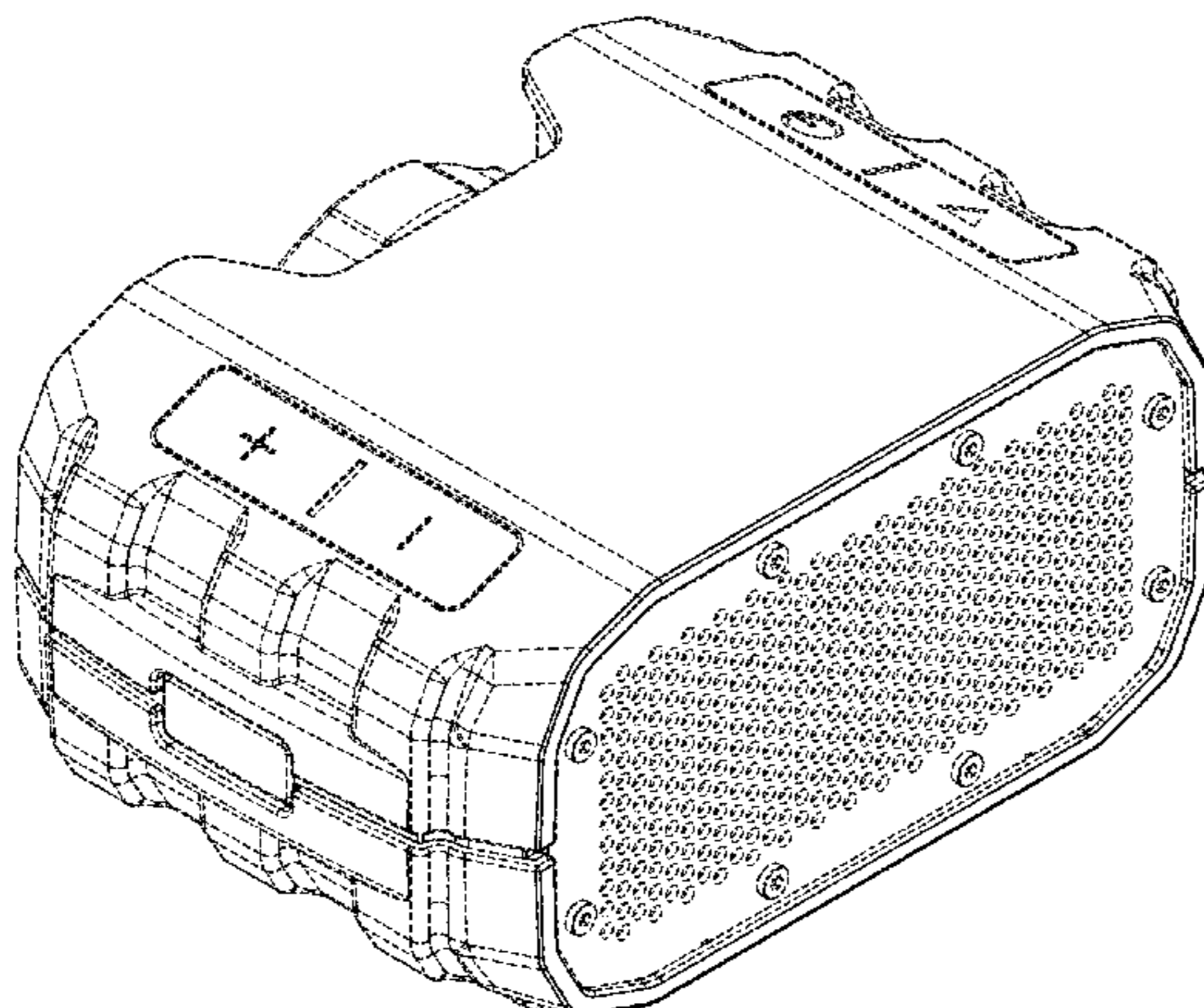


FIG. 5 is an isometric view of the water-resistant, battery-powered speaker for handheld devices, showing primarily the top, rear and right side thereof;

FIG. 6 is an isometric view of the water-resistant, battery-powered speaker for handheld devices, showing primarily the top, rear and left side thereof;

FIG. 7 is an isometric view of the water-resistant, battery-powered speaker for handheld devices, showing primarily the bottom, rear and right side thereof;

FIG. 8 is an isometric view of the water-resistant, battery-powered speaker for handheld devices, showing primarily the bottom, rear and left side thereof;

FIG. 9 is an isometric view of the water-resistant, battery-powered speaker for handheld devices, showing primarily the bottom and rear thereof;

FIG. 10 is an isometric view of the water-resistant, battery-powered speaker for handheld devices, showing primarily the rear and the top thereof;

FIG. 11 is an isometric view of the water-resistant, battery-powered speaker for handheld devices, showing primarily the top and rear thereof;

FIG. 12 is a right-side elevational view of the water-resistant, battery-powered speaker for handheld devices;

FIG. 13 is a left-side elevational view of the water-resistant, battery-powered speaker for handheld devices;

FIG. 14 is a front elevational view of the water-resistant, battery-powered speaker for handheld devices;

FIG. 15 is a rear elevational view of the water-resistant, battery-powered speaker for handheld devices;

FIG. 16 is a top plan view of the water-resistant, battery-powered speaker for handheld devices; and,

FIG. 17 is a bottom plan view of the water-resistant, battery-powered speaker for handheld devices.

The broken lines shown are included for the purpose of illustrating portions of the water resistant battery powered speaker for handheld devices that form no part of the claim.

1 Claim, 15 Drawing Sheets

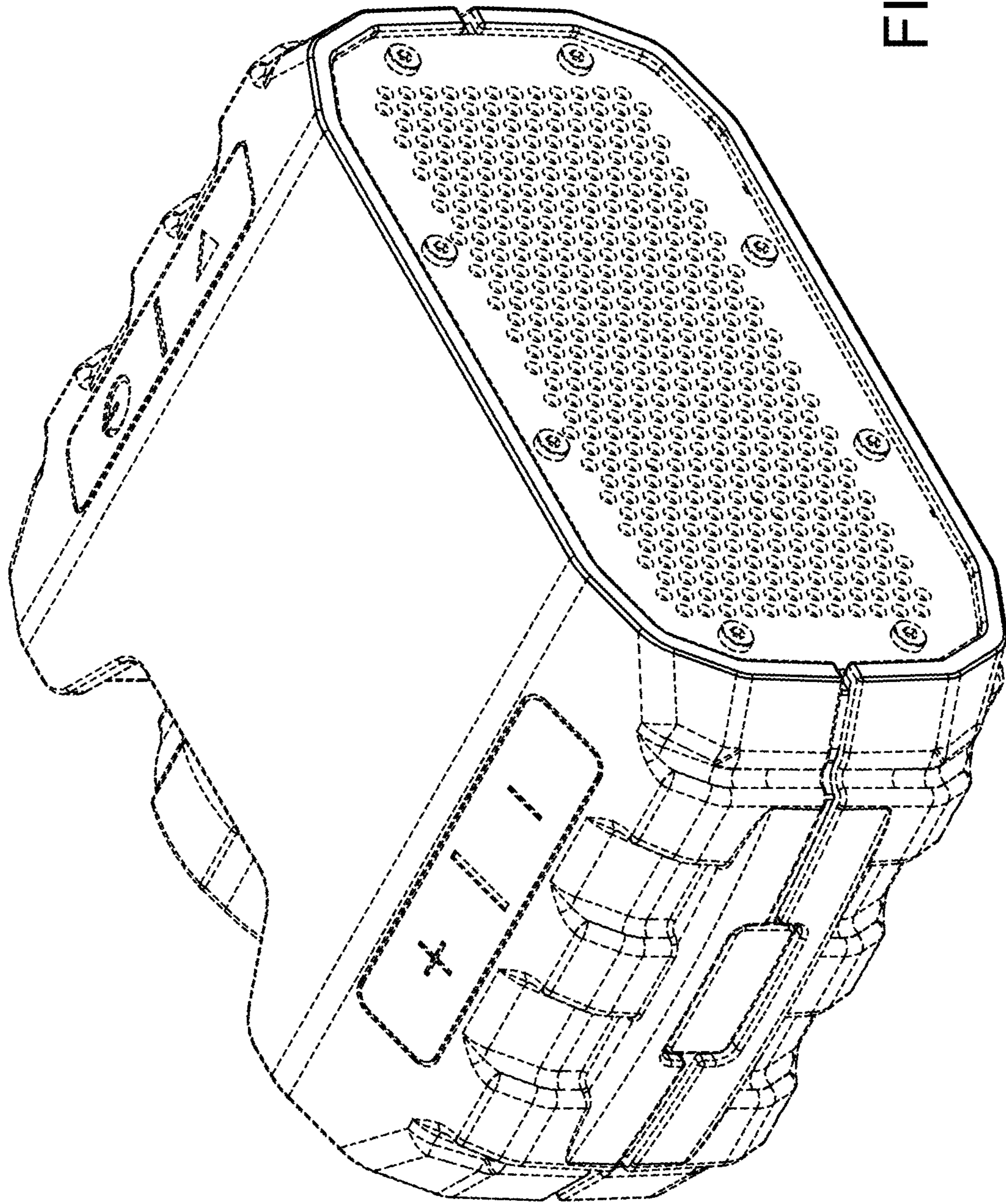


FIG. 1

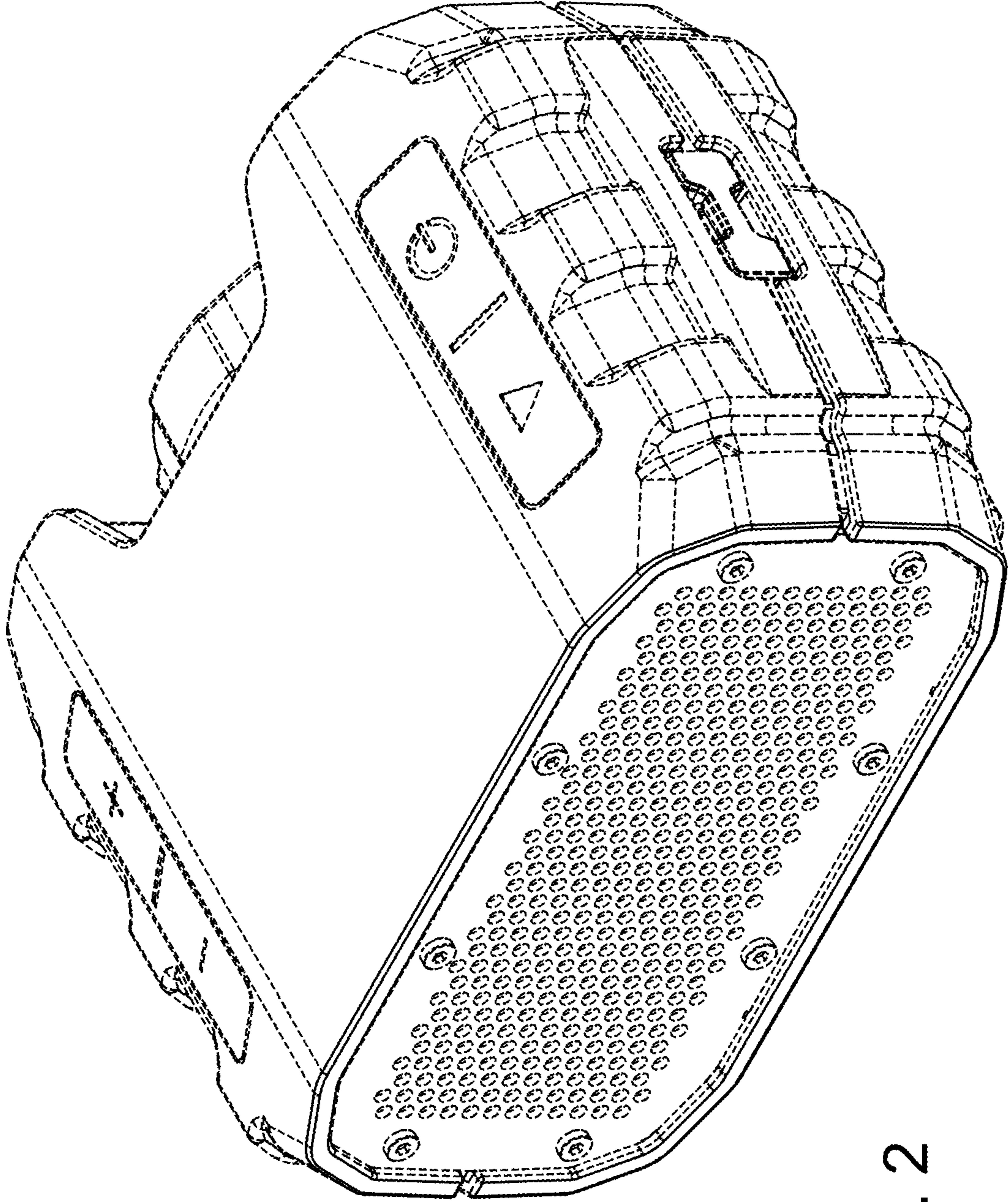


FIG. 2

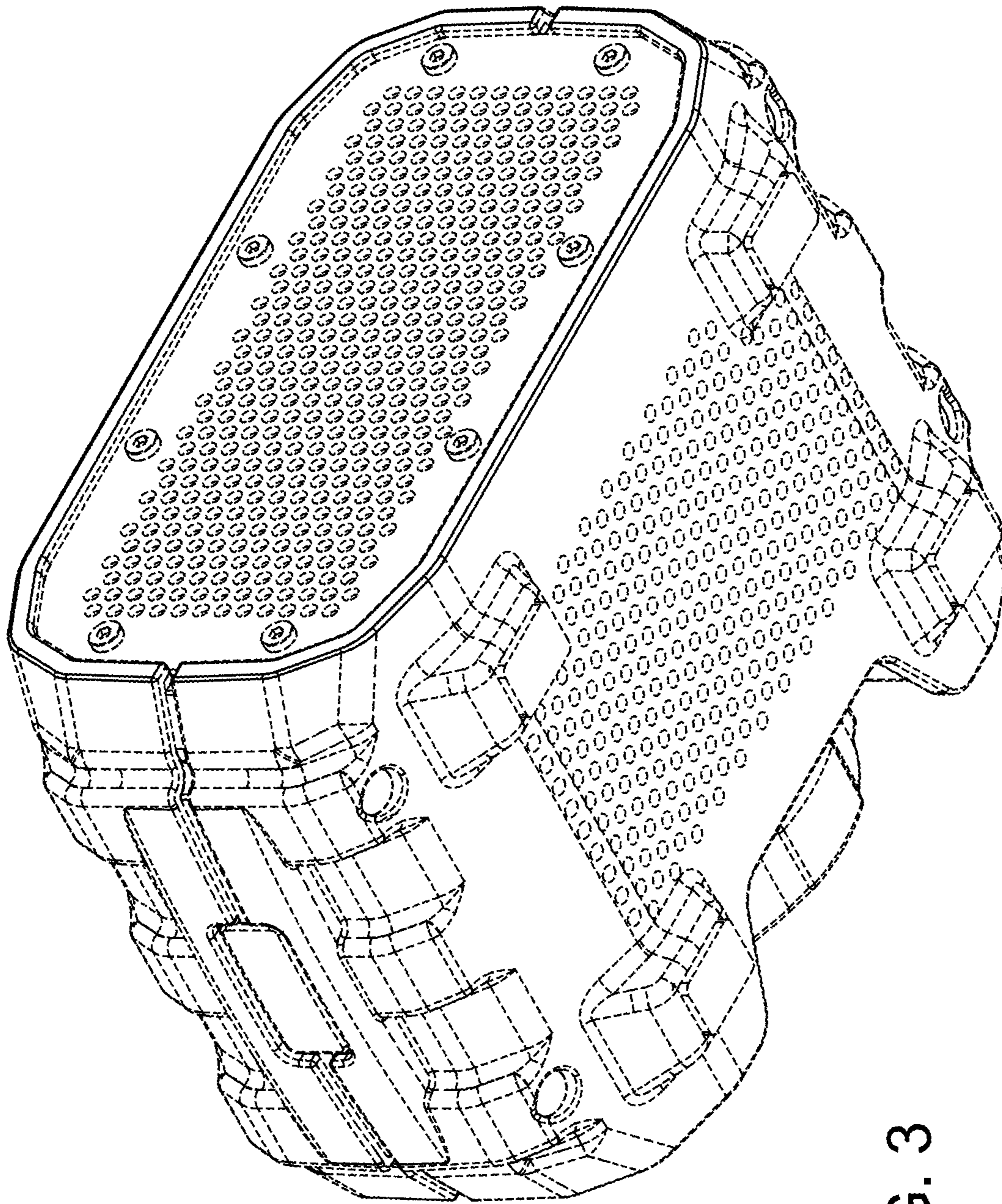


FIG. 3

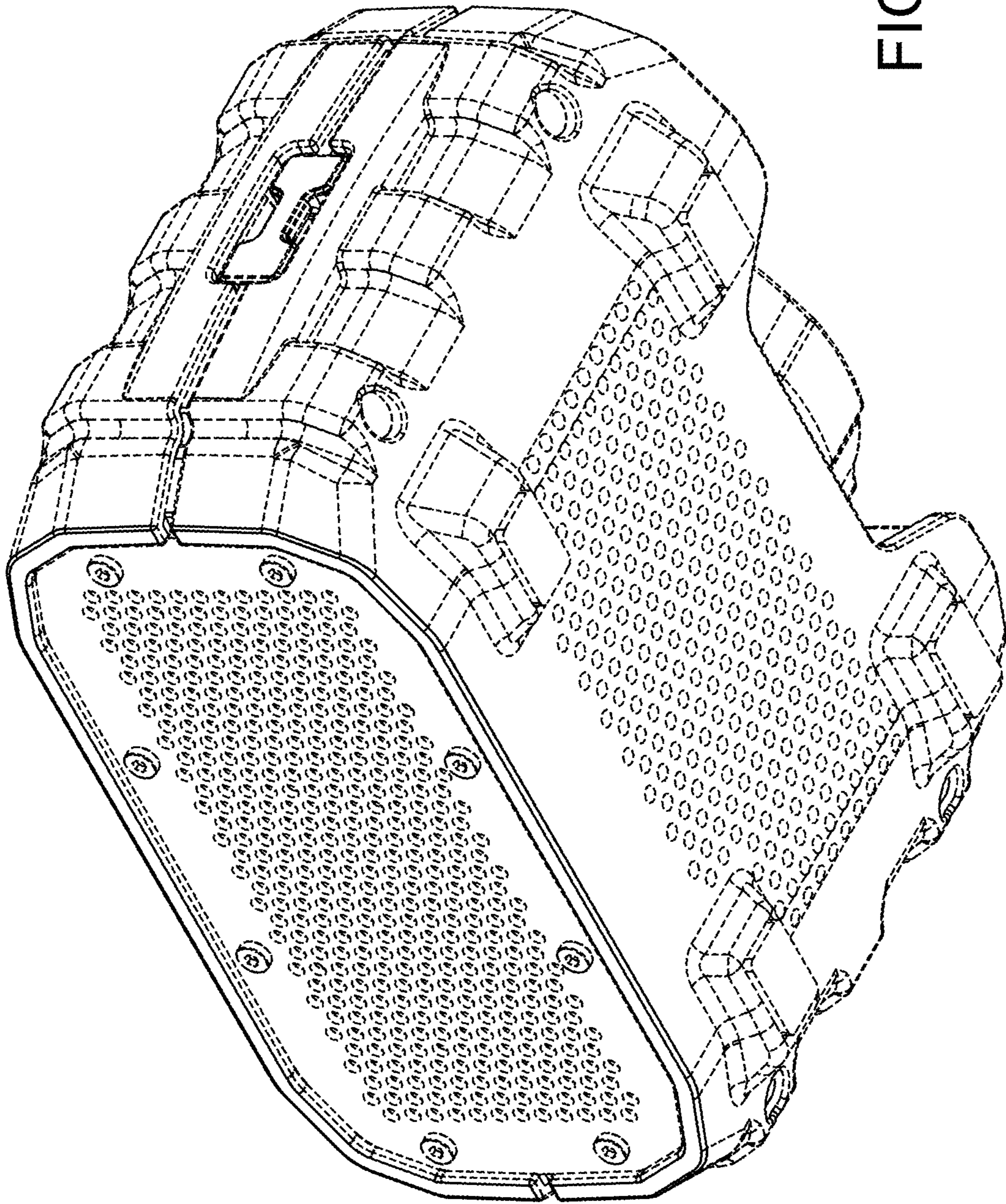


FIG. 4

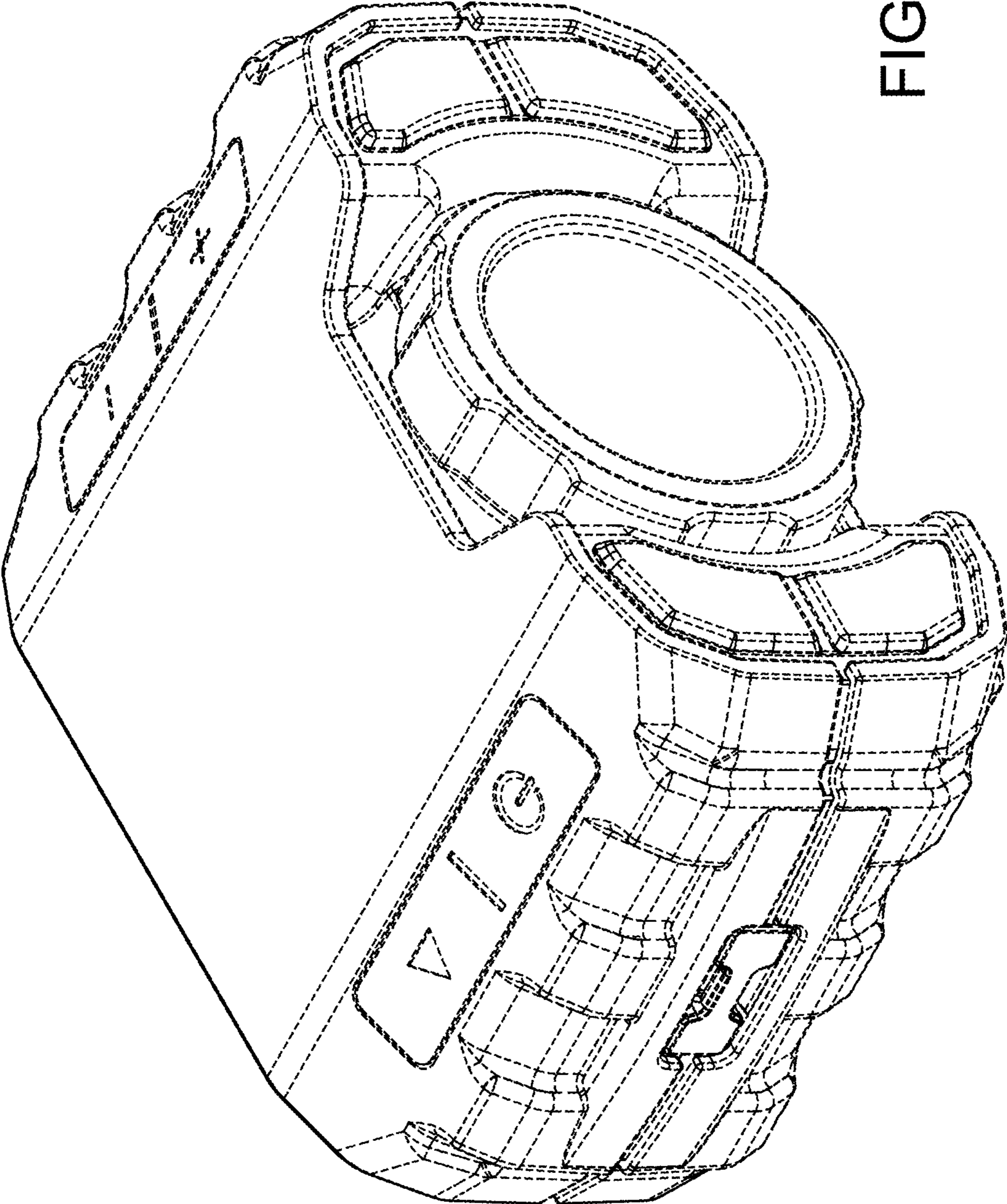


FIG. 5

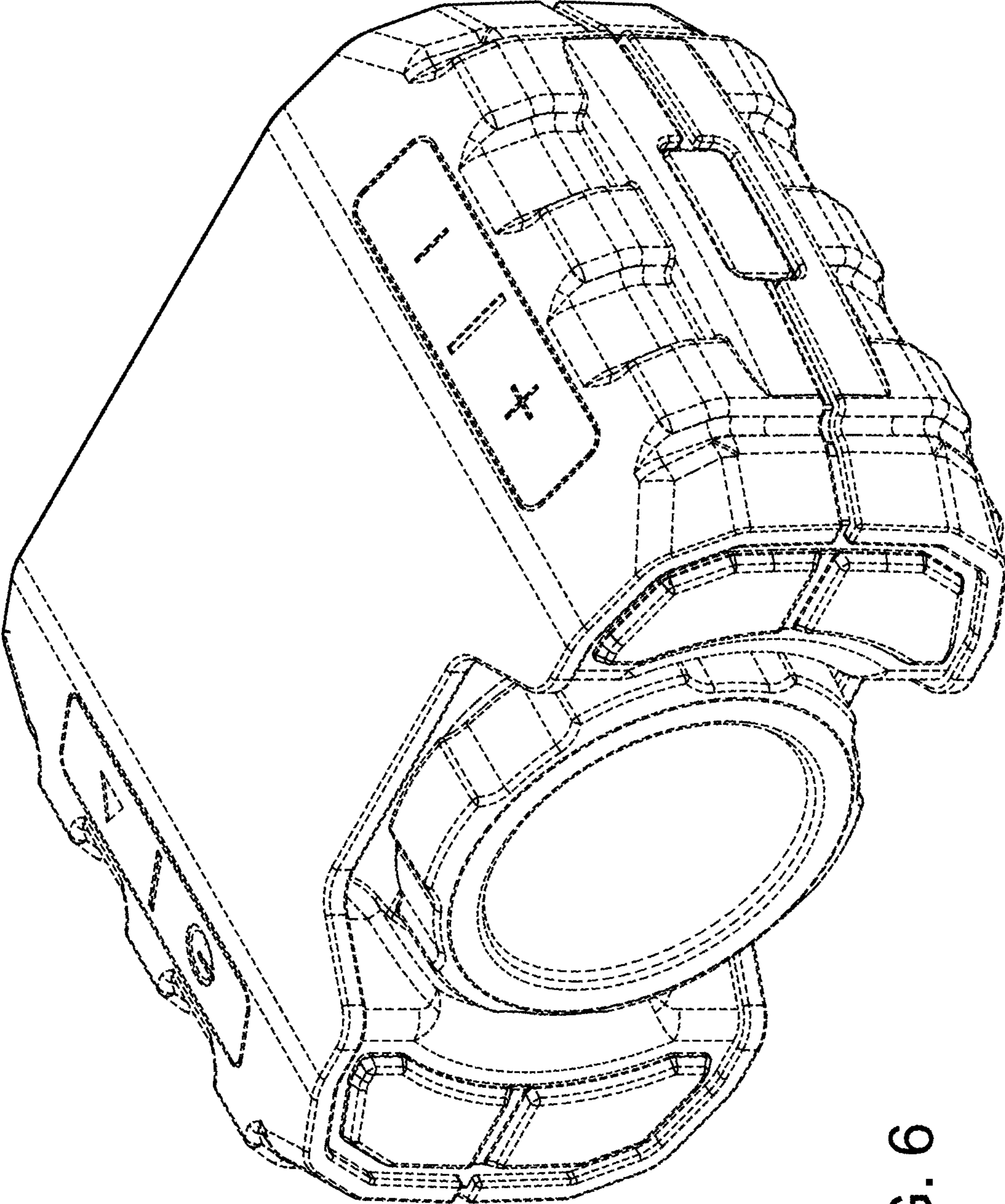


FIG. 6

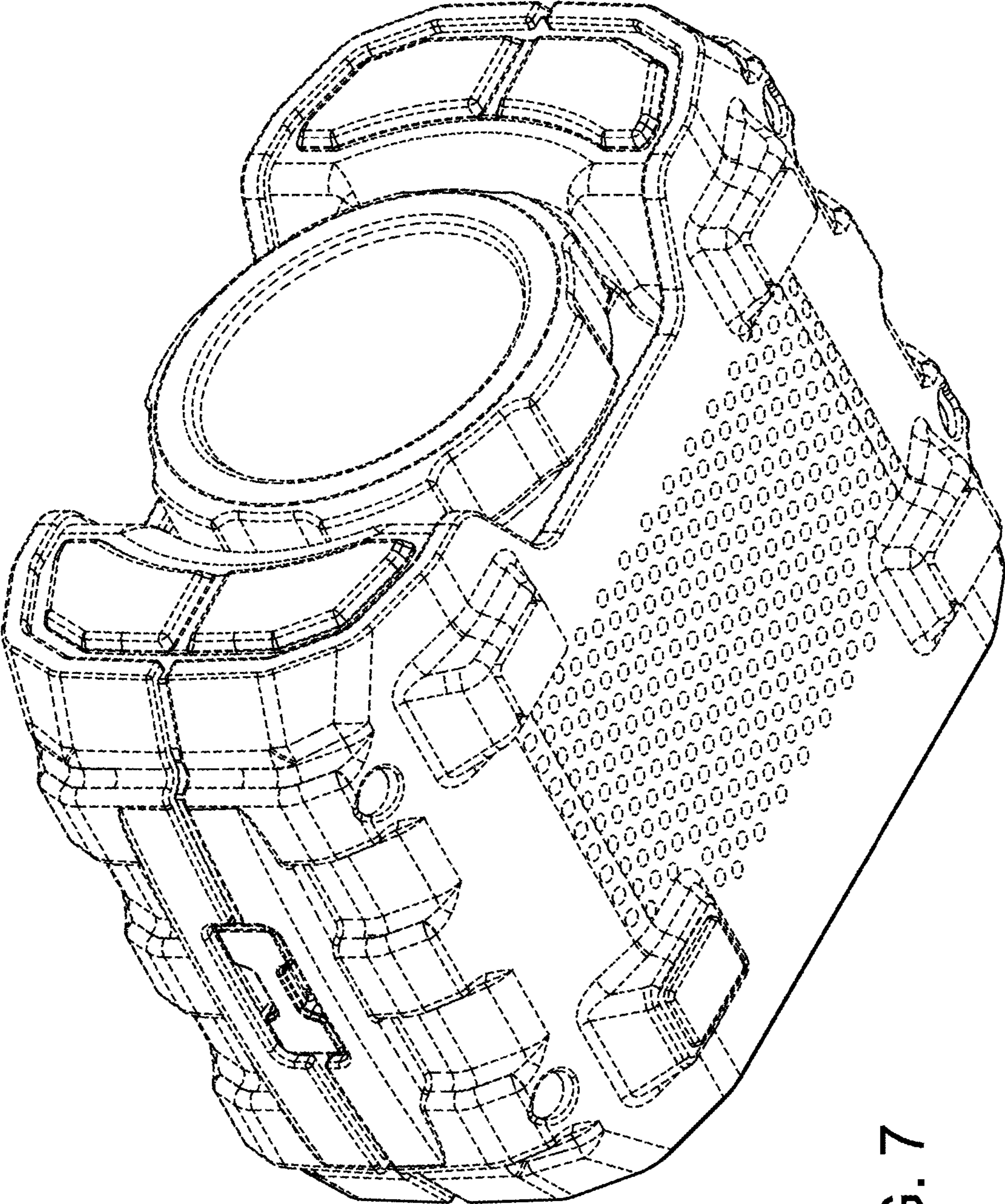


FIG. 7

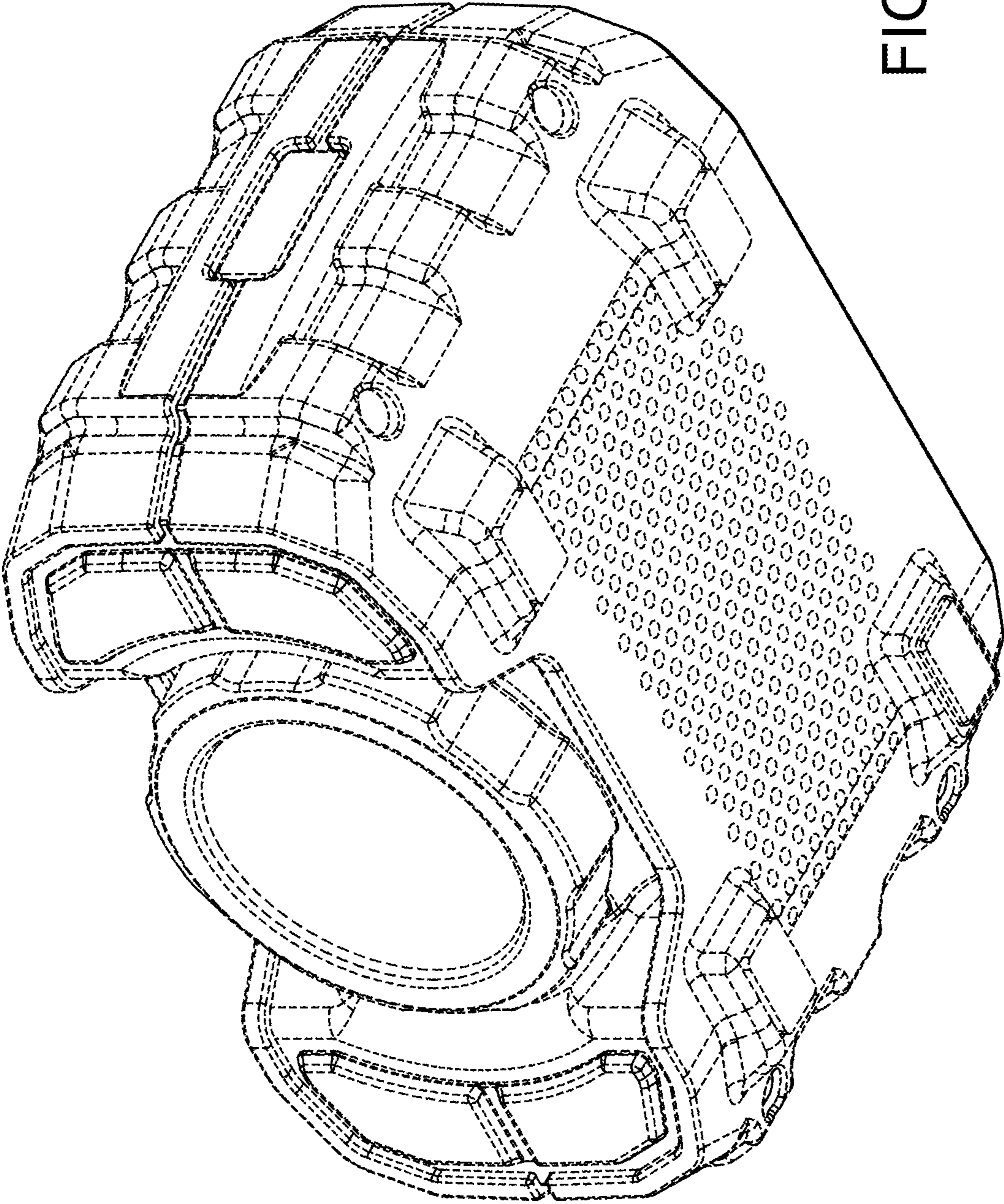


FIG. 8

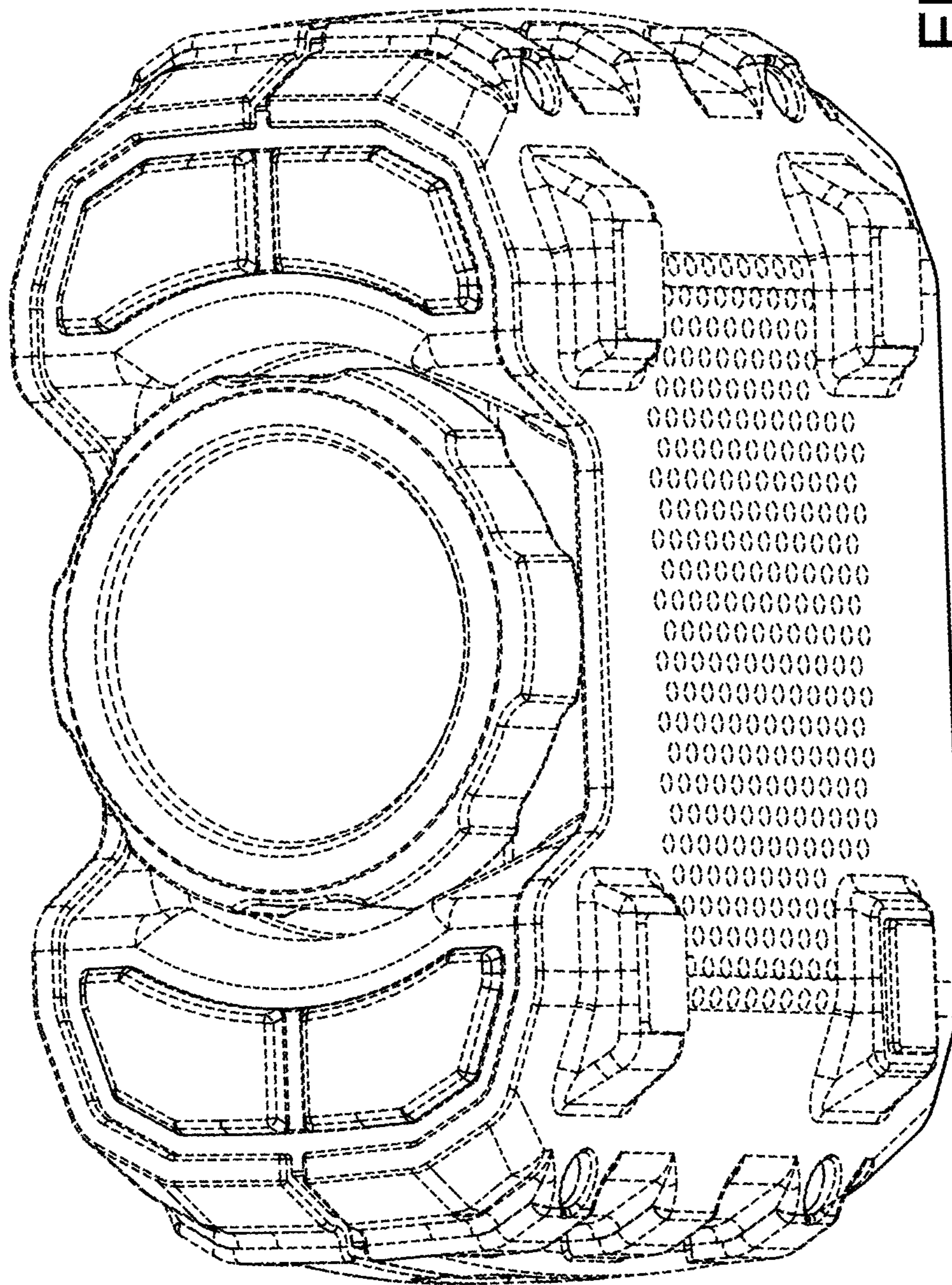


FIG. 9

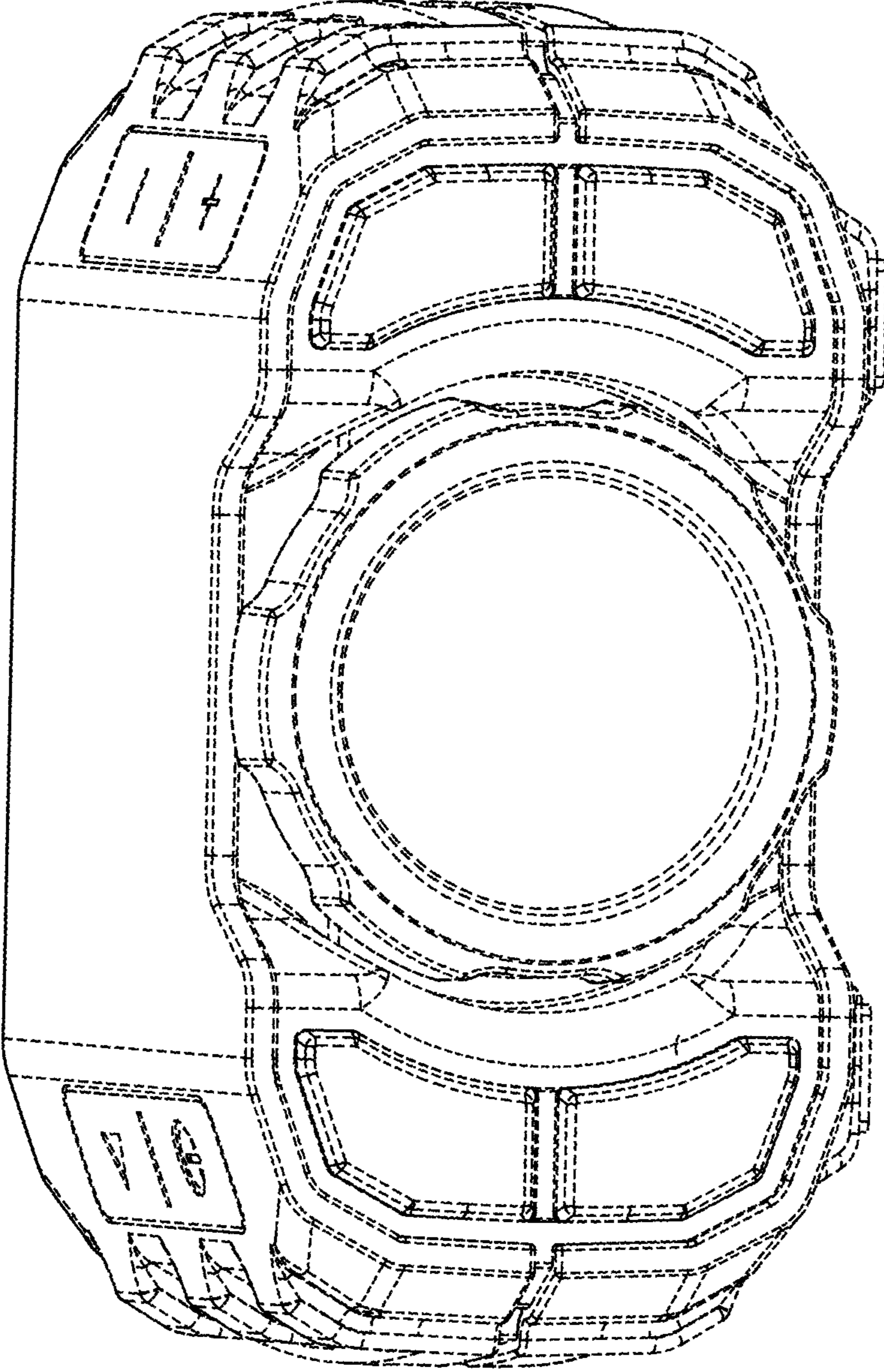


FIG. 10

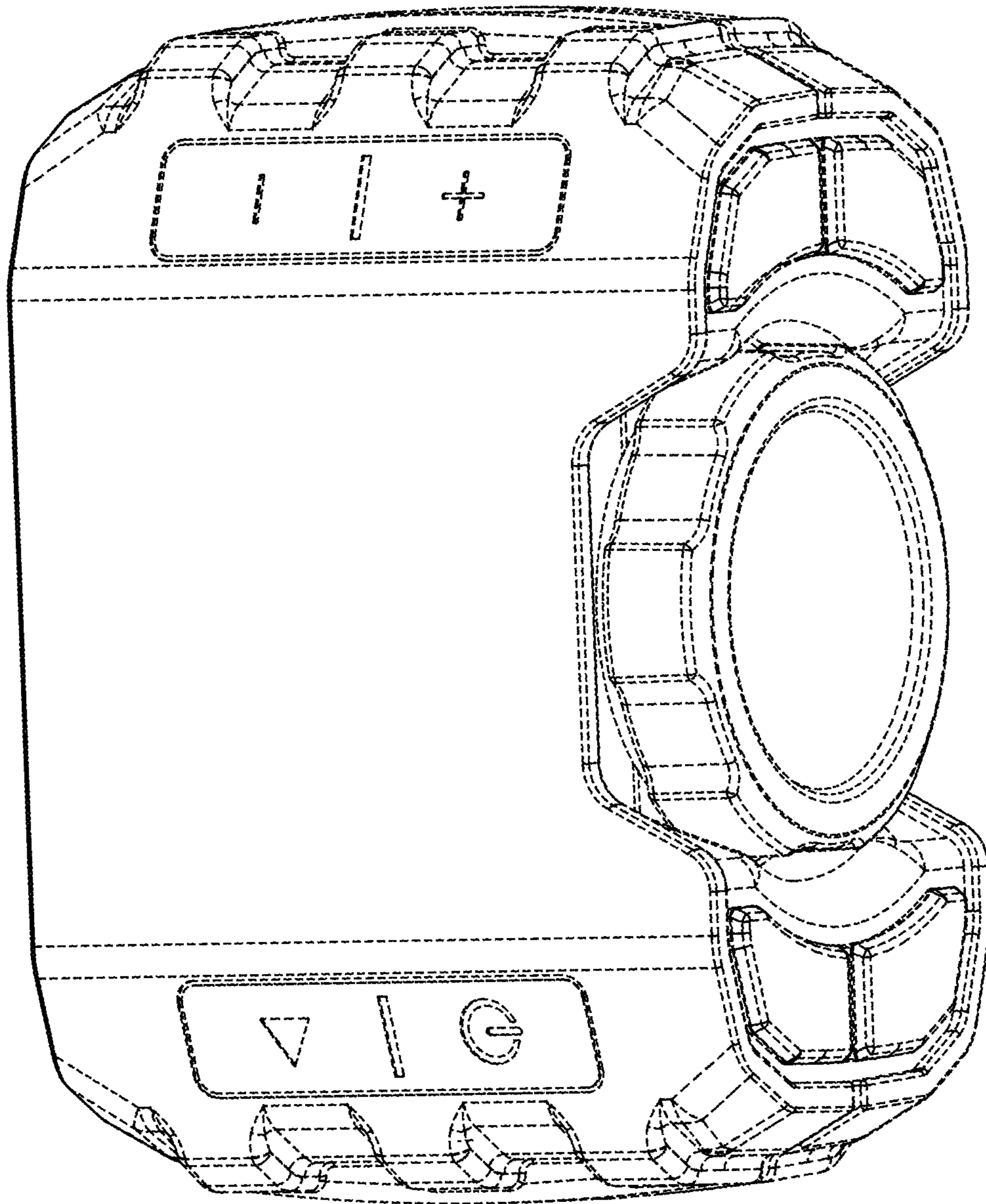


FIG. 11

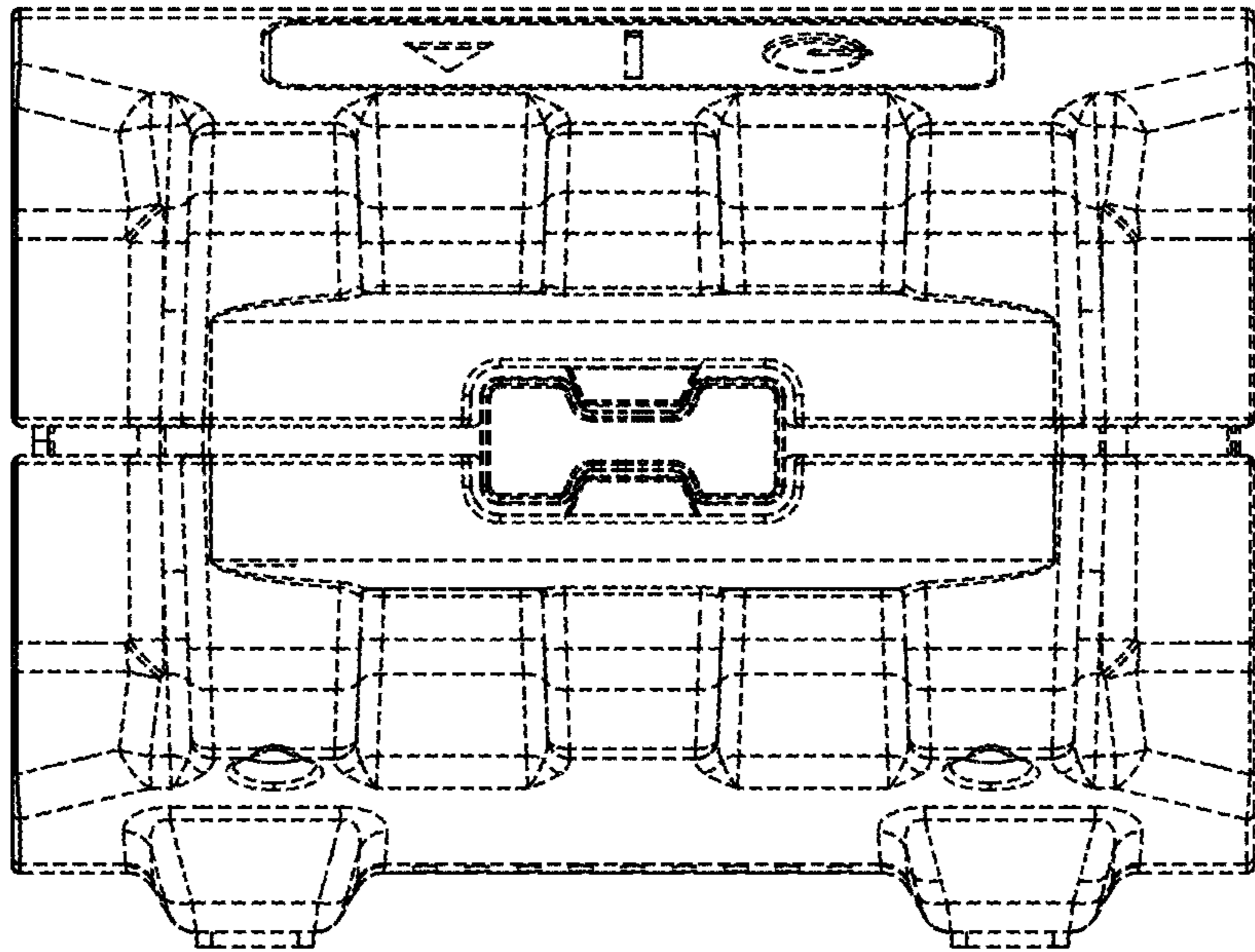


FIG. 12

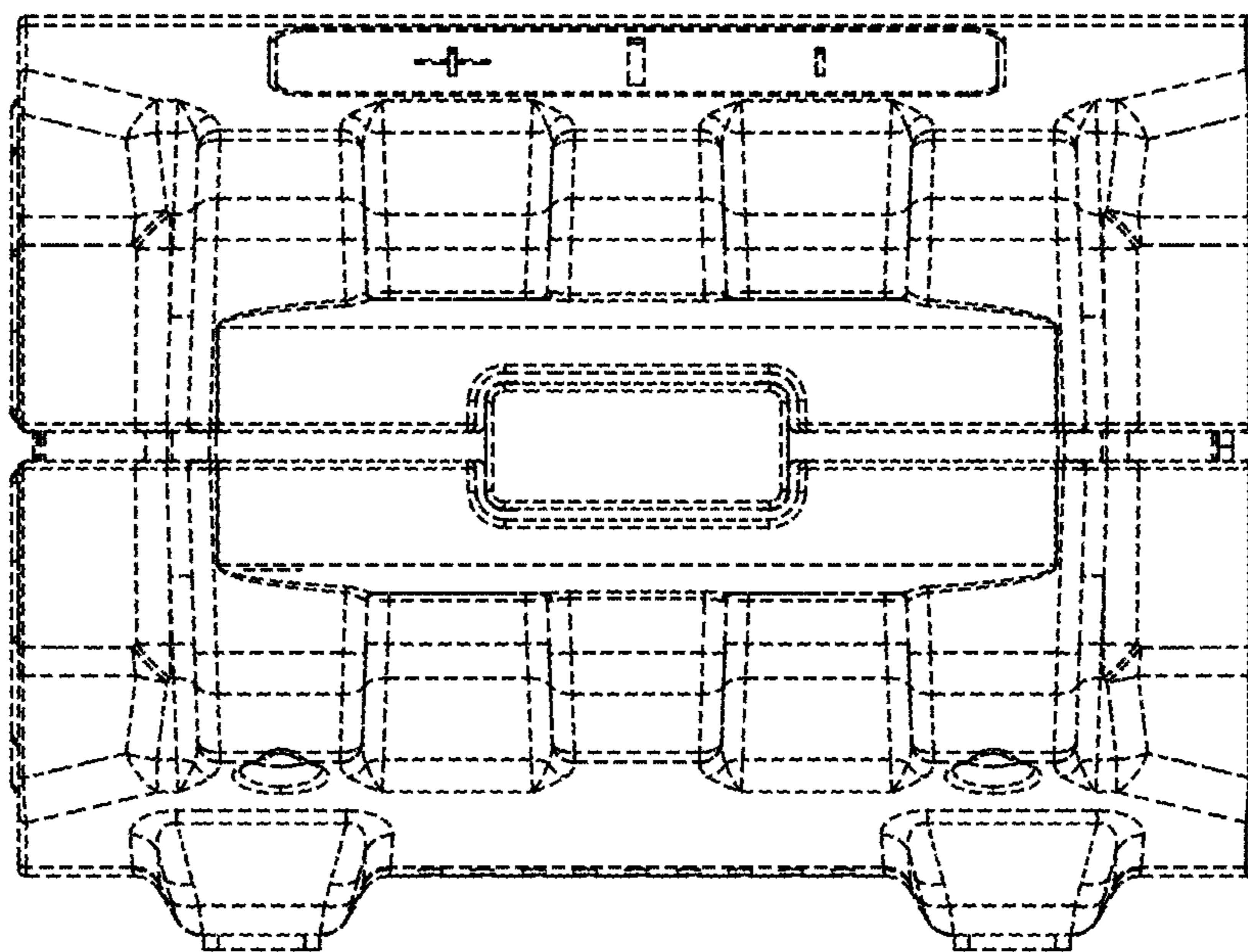


FIG. 13

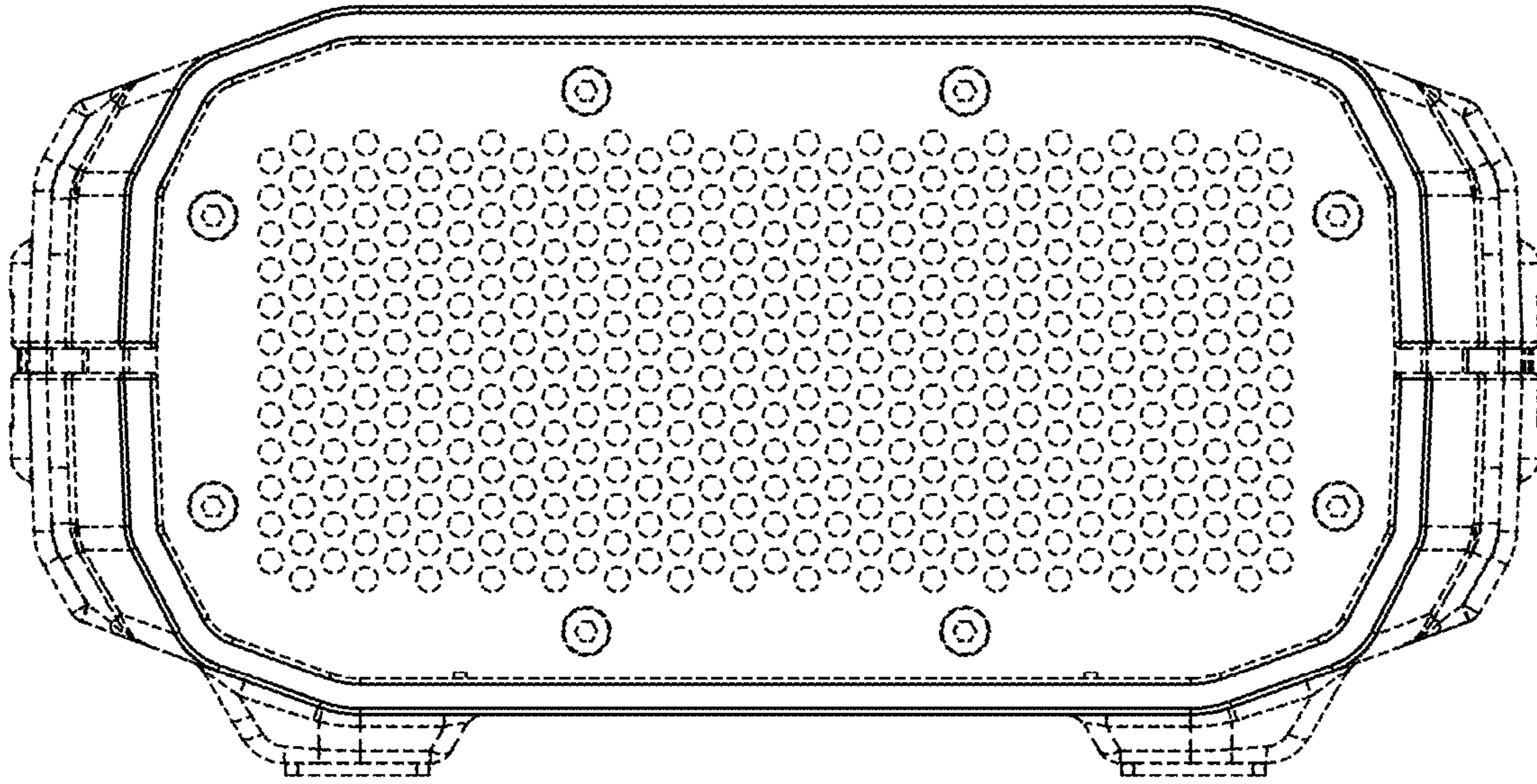


FIG. 14

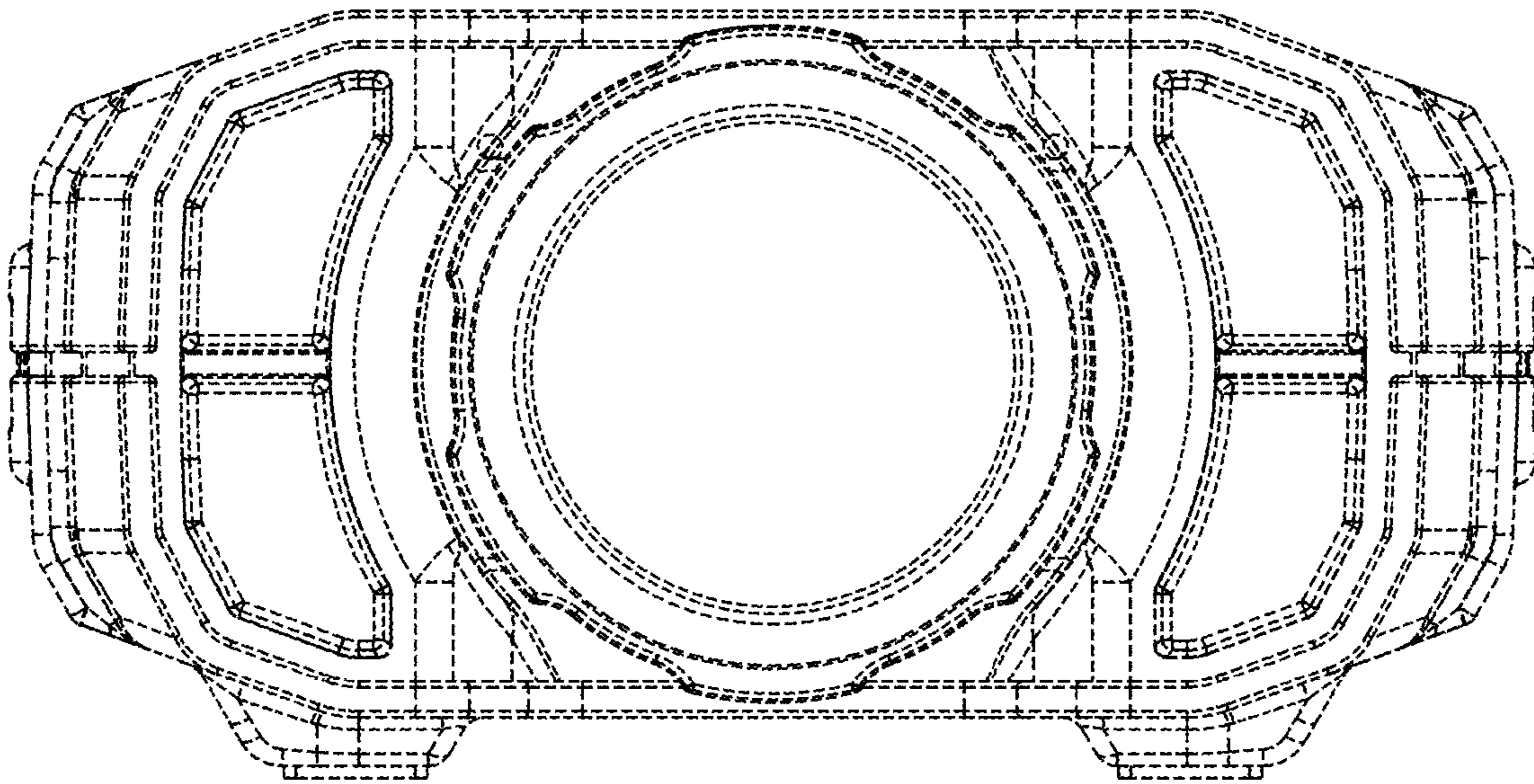


FIG. 15

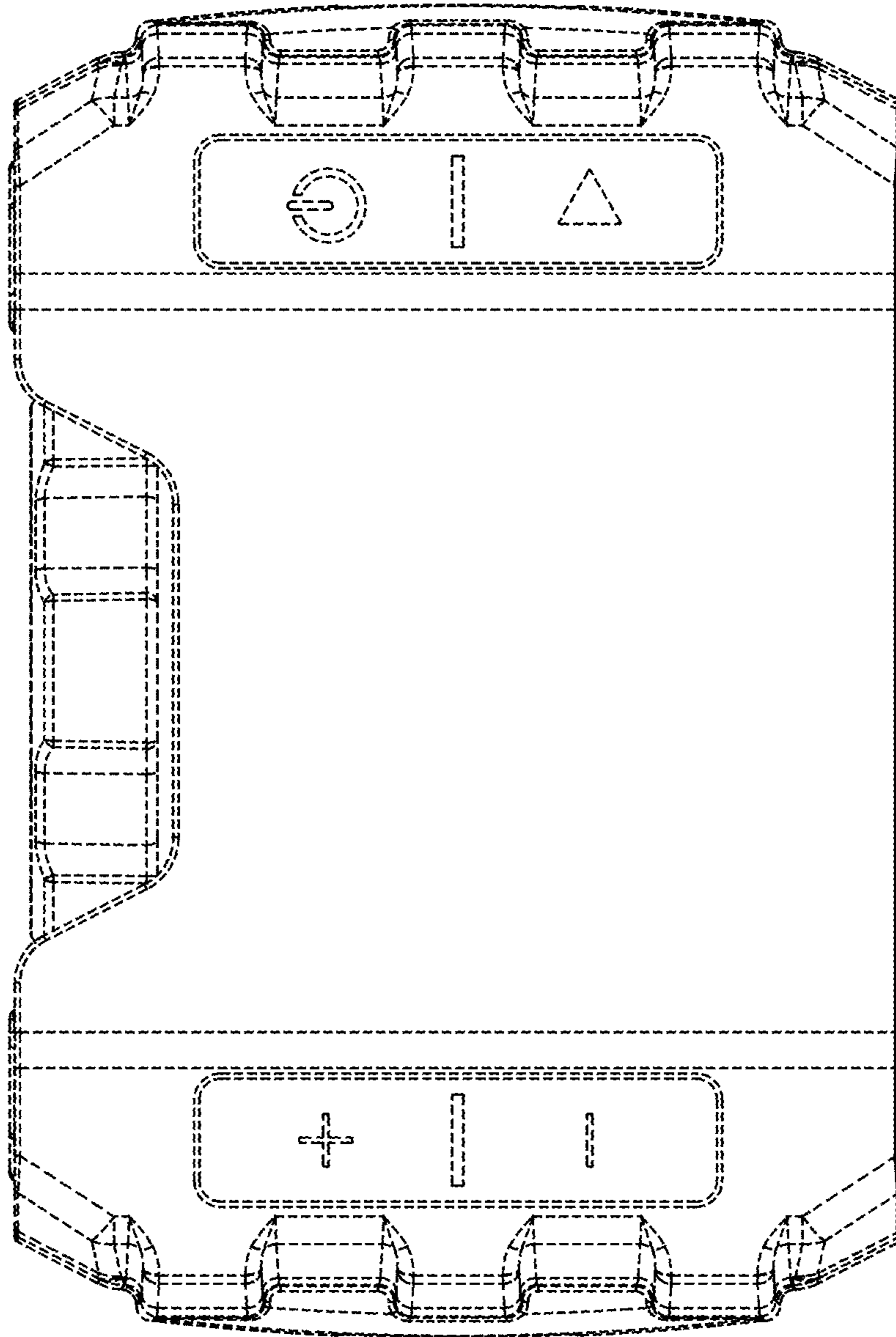


FIG. 16

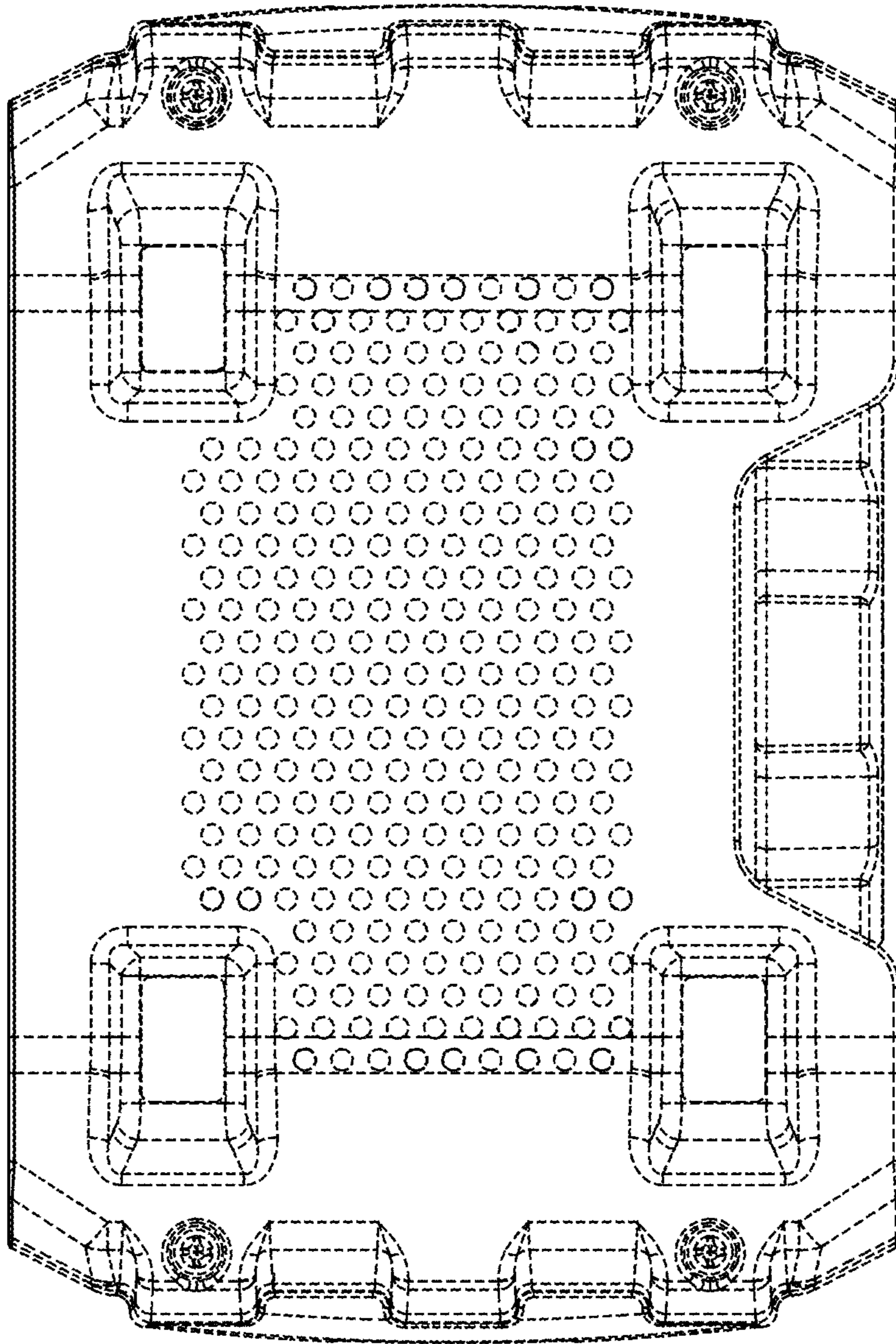


FIG. 17