



US00D770422S

(12) **United States Design Patent** (10) **Patent No.:** **US D770,422 S**
Park (45) **Date of Patent:** **** Nov. 1, 2016**

(54) **REMOTE CONTROLLER** 2008/0117085 A1* 5/2008 Garfio G08C 17/02
341/23
(71) Applicant: **PACHEM KOREA CO., LTD.**, Seoul 2011/0090055 A1* 4/2011 Ergen G08C 17/02
(KR) 340/10.1
2016/0136313 A1* 5/2016 Nguyen A61L 2/10
315/76

(72) Inventor: **Rhae Kwon Park**, Seoul (KR)
(73) Assignee: **PACHEM KOREA CO., LTD.** (KR)
(**) Term: **15 Years**

FOREIGN PATENT DOCUMENTS

EM 000436472-0001 * 12/2005

(21) Appl. No.: **29/545,989**
(22) Filed: **Nov. 18, 2015**
(51) **LOC (10) Cl.** **14-03**
(52) **U.S. Cl.**
USPC **D14/218**
(58) **Field of Classification Search**
USPC D14/218; D13/168
CPC A61L 2/10; G06F 3/033; G09G 5/08;
G08C 19/12; G08C 17/02; G08G 5/08
See application file for complete search history.

OTHER PUBLICATIONS

Program Your U-verse TV Remote Control Using the Setup Tool, website copyright 2016, <https://www.att.com/esupport/article.html#!u-verse-tv/KM1009898>, [site visited Aug. 19, 2016 3:17:00 AM].*
One For All URC6420 Simple 2 TV Remote Control, no date, <http://www.coopelectricalshop.co.uk/One-For-All-URC6420-Simple-2-TV-Remote-Control-Black/id-OFA-ACC-URC6420-BK>, [site visited Aug. 19, 2016 3:18:41 AM].*

* cited by examiner

Primary Examiner — Eric Goodman
Assistant Examiner — John R Yeh
(74) *Attorney, Agent, or Firm* — Cantor Colburn LLP

(56) **References Cited**

U.S. PATENT DOCUMENTS

D383,462 S	*	9/1997	Martz	D14/218
D387,352 S	*	12/1997	Kaneko	D14/218
D393,628 S	*	4/1998	Ledbetter	D13/168
D394,659 S	*	5/1998	Biasotti	D14/218
D417,670 S	*	12/1999	Capps	D14/218
D431,552 S	*	10/2000	Backs	D14/218
D434,409 S	*	11/2000	Clapper	D14/218
D463,788 S	*	10/2002	Smith	D14/218
D464,335 S	*	10/2002	Glodava	D14/218
D489,711 S	*	5/2004	James	D14/218
D522,495 S	*	6/2006	Papoula	D14/218
D533,164 S	*	12/2006	Knight	D14/218
D533,165 S	*	12/2006	Knight	D14/218
D562,806 S	*	2/2008	Bruce	D14/218
D565,554 S	*	4/2008	Fan	D14/218
D595,267 S	*	6/2009	Dozoretz	D14/218
D617,777 S	*	6/2010	Chizinsky	D14/218
D647,887 S	*	11/2011	Dawson	D14/218
D715,268 S	*	10/2014	Rodriguez	D14/218
D726,162 S	*	4/2015	Rodriguez	D14/218

(57) **CLAIM**
The ornamental design for a remote controller, as shown and described.

DESCRIPTION

FIG. 1 is a front side perspective view of a remote controller showing my new design;
FIG. 2 is a front elevational view thereof;
FIG. 3 is a rear elevational view thereof;
FIG. 4 is a left side elevational view thereof;
FIG. 5 is a right side elevational view thereof;
FIG. 6 is a top plan view thereof;
FIG. 7 is a bottom plan view thereof; and,
FIG. 8 is a rear side perspective view thereof.

1 Claim, 7 Drawing Sheets

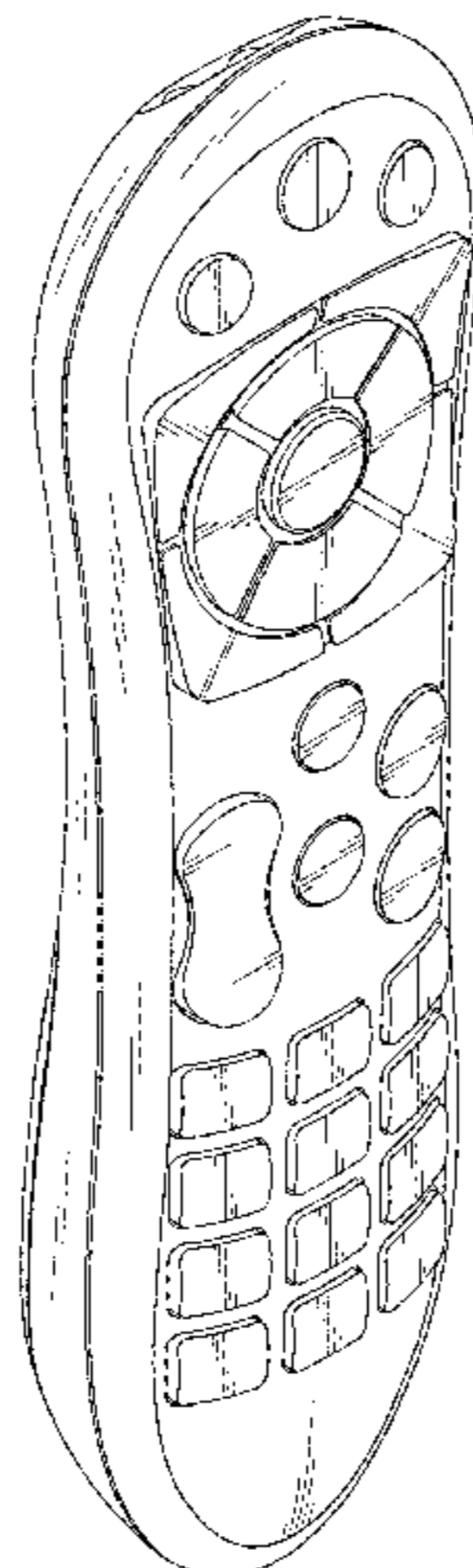


FIG. 1

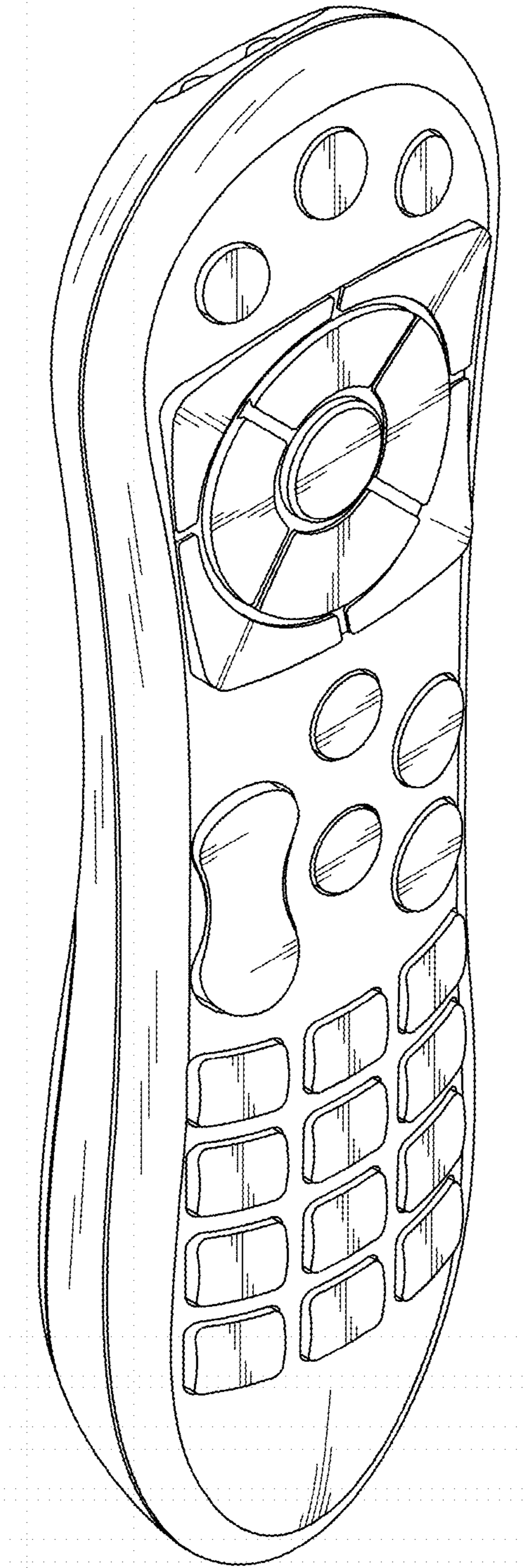


FIG. 2

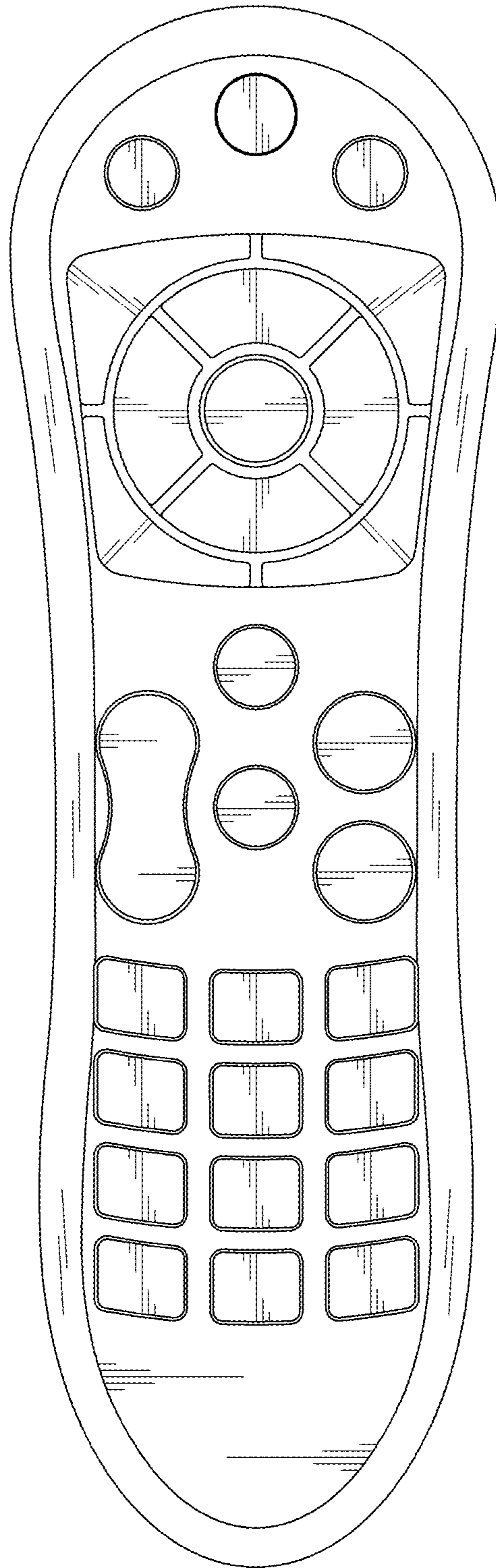


FIG. 3

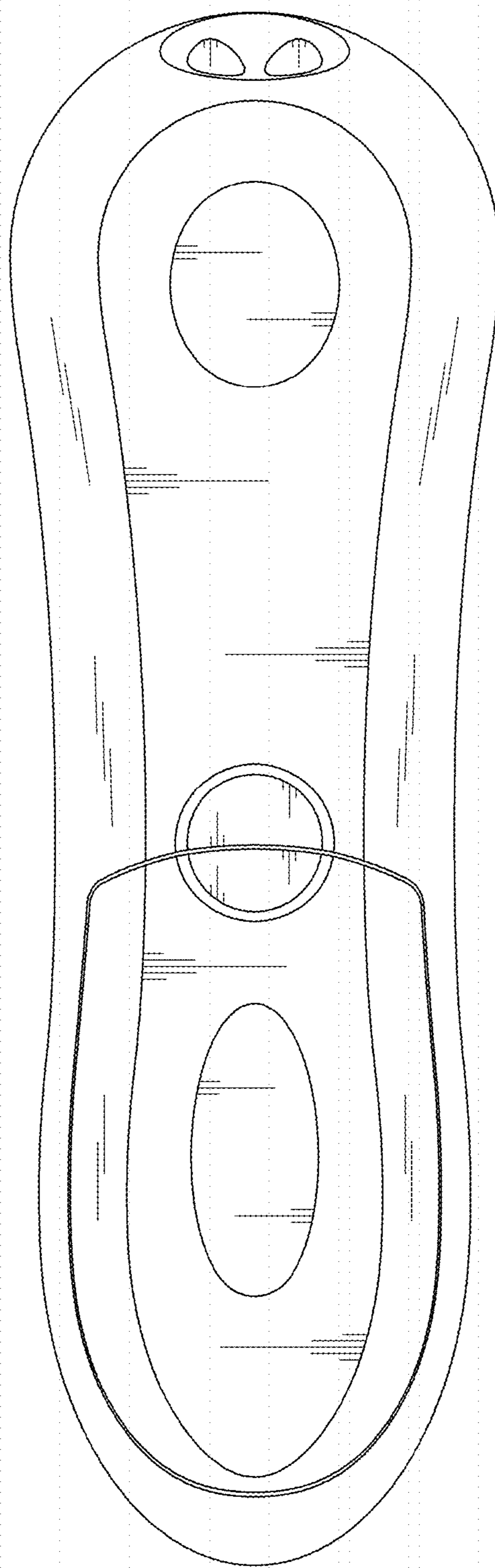


FIG. 4

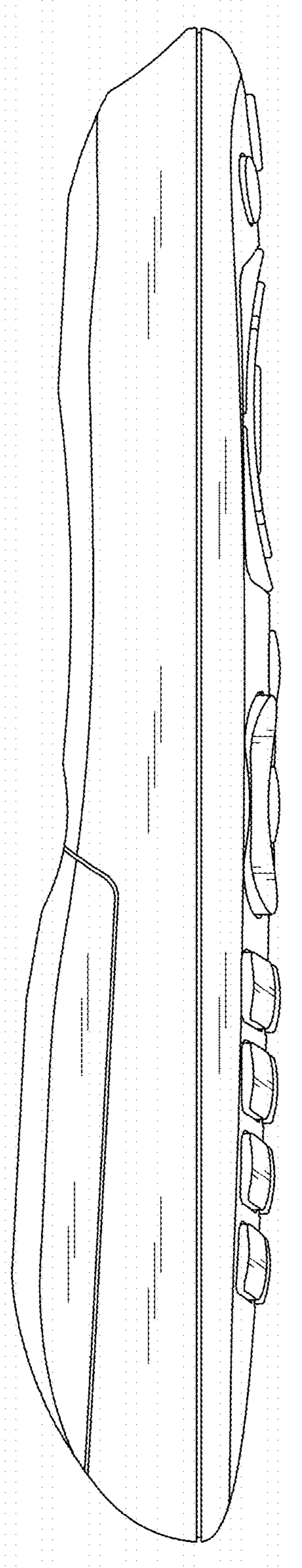


FIG. 5

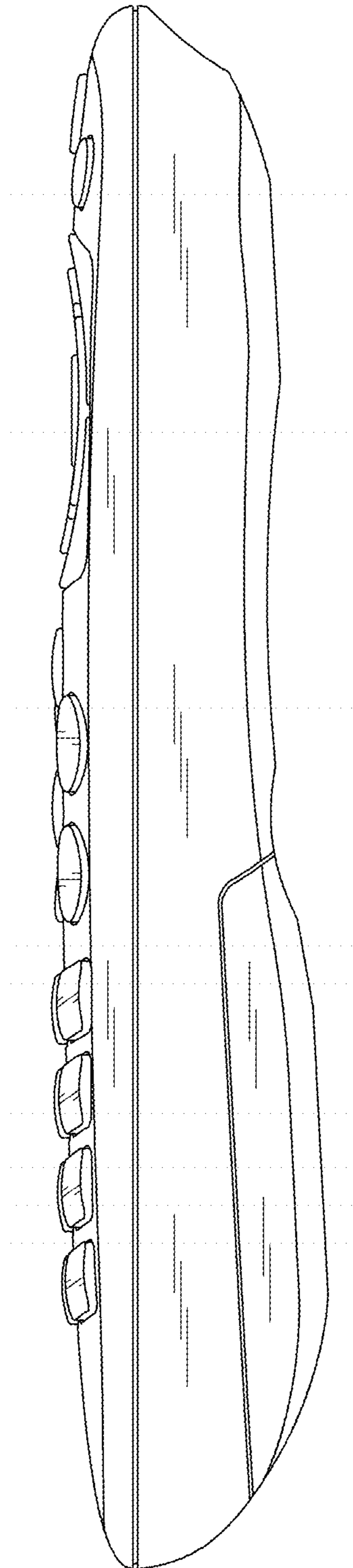


FIG. 6

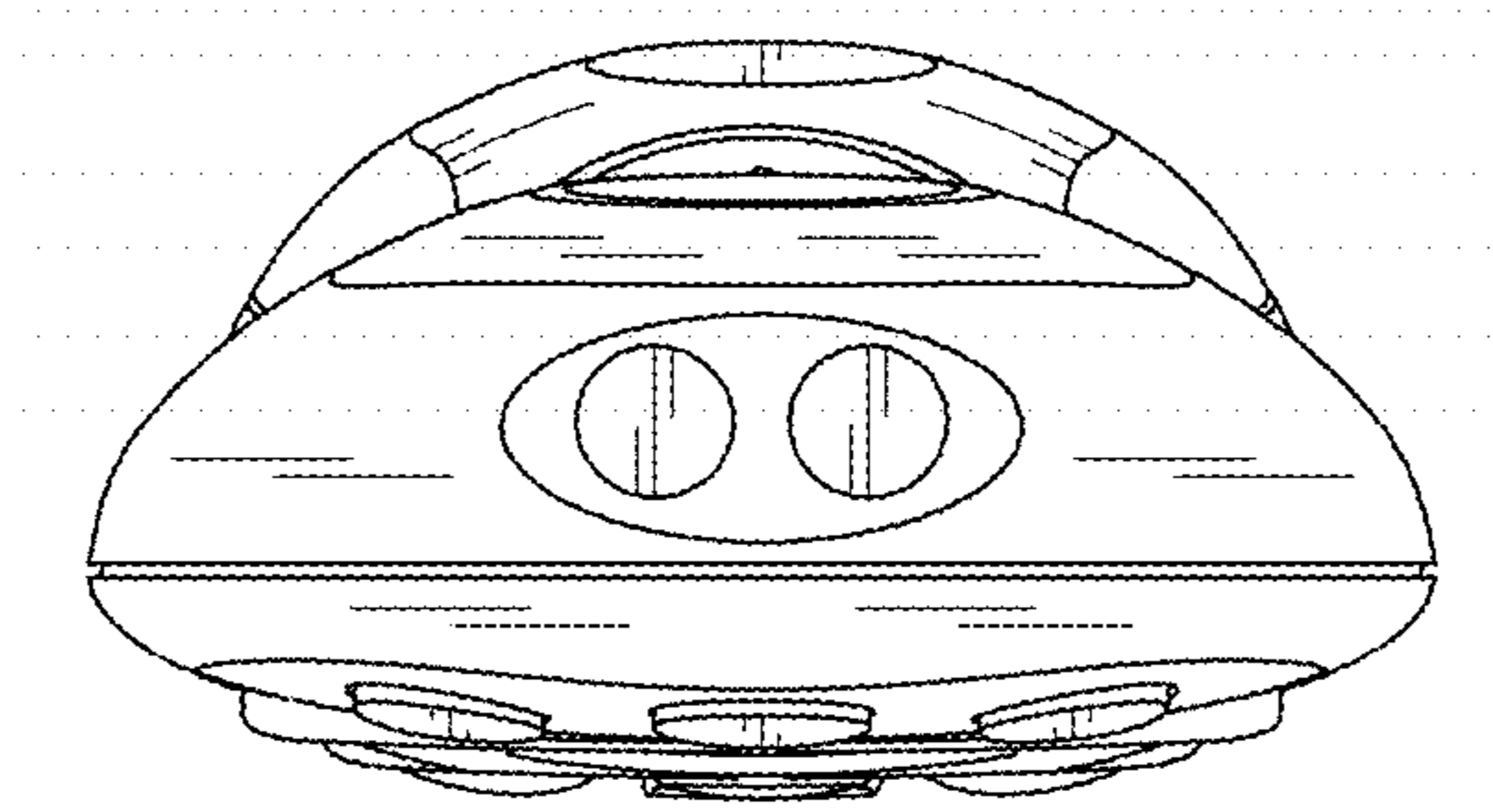


FIG. 7

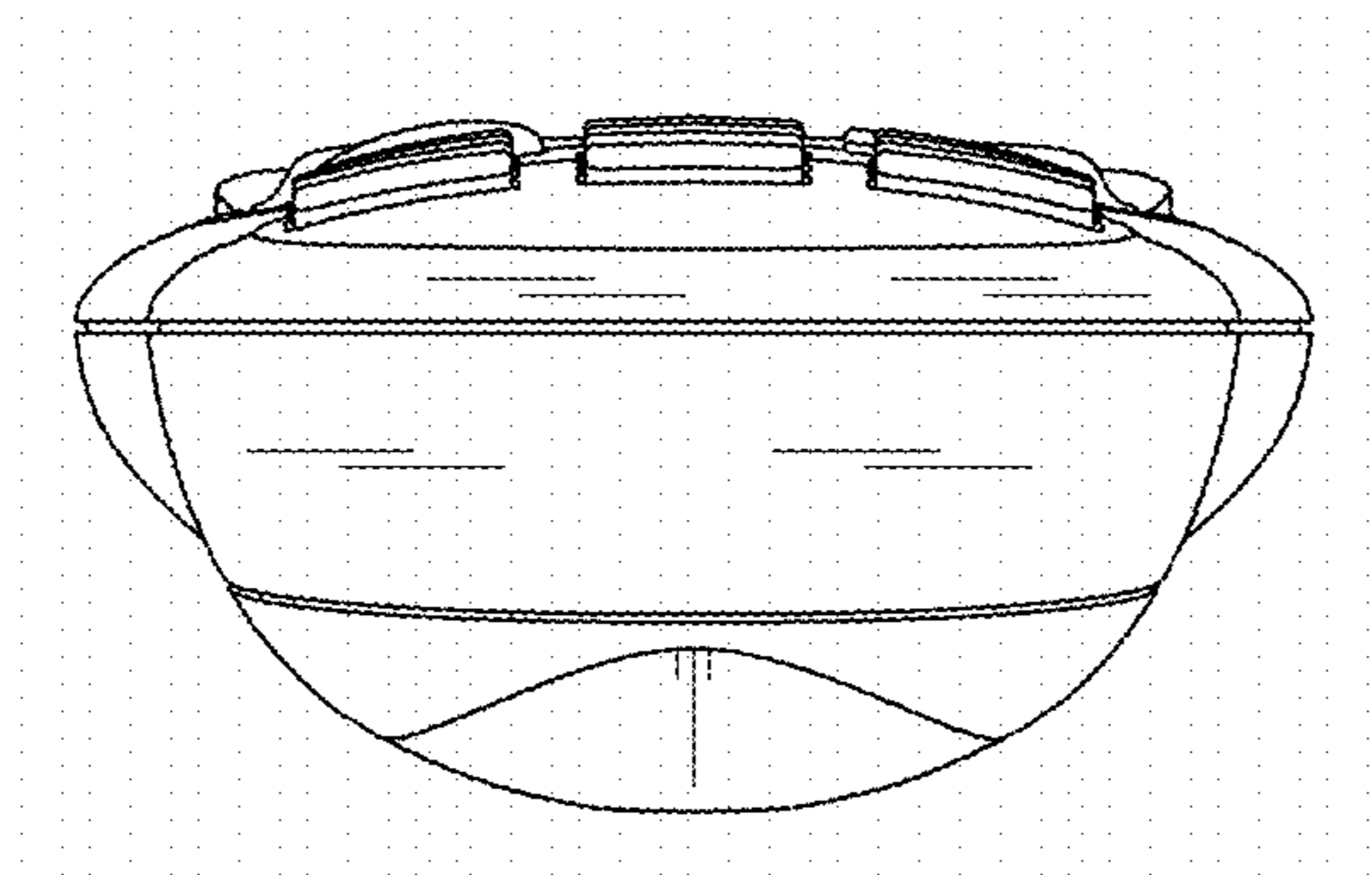


FIG. 8

