



US00D770418S

(12) **United States Design Patent**
Hong et al.

(10) **Patent No.:** **US D770,418 S**

(45) **Date of Patent:** **** Nov. 1, 2016**

(54) **SPEAKER**

2201/021; H04R 2400/00; H04R 2400/07;
H04R 2499/11; H04R 2499/13; H04R
2499/15; H04S 3/00; H04S 7/30

(71) Applicant: **Samsung Electronics Co., Ltd.**,
Suwon-si, Gyeonggi-do (KR)

See application file for complete search history.

(72) Inventors: **Seungse Hong**, Yongin-si (KR); **Allan Devantier**, Valencia, CA (US); **Colby James Buddelmeyer**, Valencia, CA (US); **William DeCanio**, Valencia, CA (US); **Andri Bezzola**, Valencia, CA (US); **Freddy Martinez**, Valencia, CA (US); **Glenn S. Kubota**, Valencia, CA (US)

(56) **References Cited**

U.S. PATENT DOCUMENTS

D303,970 S * 10/1989 Collins D14/204
D518,026 S 3/2006 Dayan

(Continued)

FOREIGN PATENT DOCUMENTS

EM 001035315-0001 7/2008
EM 002028373-0005 4/2012

(73) Assignee: **SAMSUNG ELECTRONICS CO., LTD.** (KR)

(**) Term: **15 Years**

OTHER PUBLICATIONS

(21) Appl. No.: **29/532,572**

Bose Free Space 51 Environmental speakers [online] [retrieved on Jul. 8, 2015]. Retrieved from the Internet: <URL: http://www.bose.com/controller?url=/shop_online/speakers/outdoor_marine_speakers/freespace_51/ind>.

(22) Filed: **Jul. 8, 2015**

(30) **Foreign Application Priority Data**

Jan. 8, 2015 (KR) 30-2015-0000937

(51) **LOC (10) Cl.** **14-03**

(52) **U.S. Cl.**
USPC **D14/216**

(58) **Field of Classification Search**

USPC D14/167, 168, 170-172, 188, 194-196,
D14/204, 207, 209.1, 210-216, 219, 221,
D14/222, 224, 239, 496; 181/143, 144, 147,
181/148, 150, 153, 157, 198, 199;
381/300-303, 306, 332, 333, 336, 345,
381/361-364, 386-388; 369/6-12
CPC ... B60R 11/0217; G06F 1/1688; G10K 9/22;
G10K 11/004; H03K 1/327; H04M 1/03;
H04M 1/035; H04N 5/642; H04N 21/4852;
H04R 1/02; H04R 1/06; H04R 1/021; H04R
1/025; H04R 1/026; H04R 1/028; H04R
1/105; H04R 1/323; H04R 1/403; H04R
1/2803; H04R 1/2834; H04R 5/02; H04R
7/20; H04R 9/06; H04R 9/025; H04R

Primary Examiner — Keli L Hill

(74) *Attorney, Agent, or Firm* — Cantor Colburn LLP

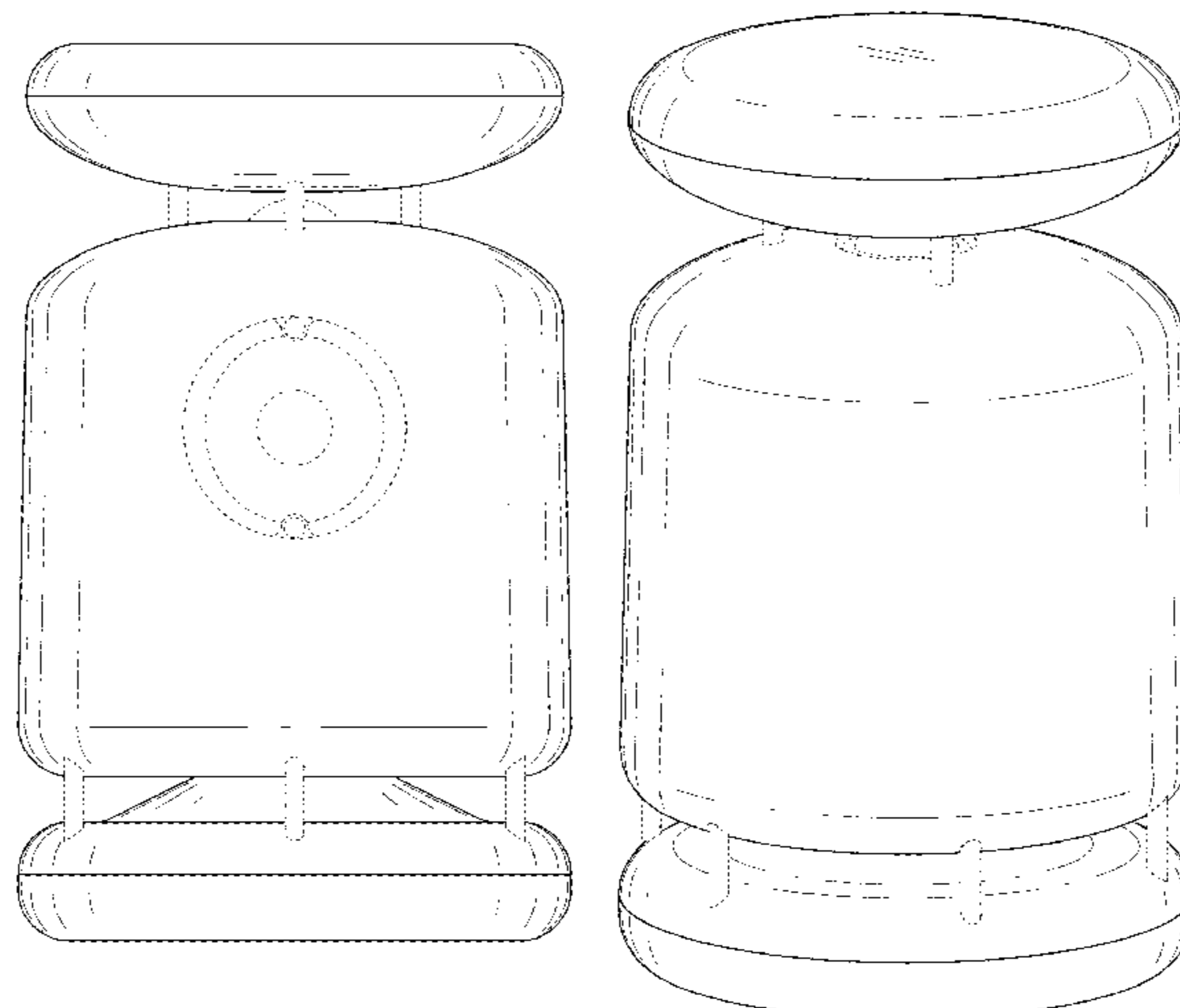
(57) **CLAIM**

The ornamental design for a speaker, as shown and described.

DESCRIPTION

FIG. 1 is a perspective view of a speaker, showing our new design;
FIG. 2 is a front view thereof;
FIG. 3 is a rear view thereof;
FIG. 4 is a side view thereof;
FIG. 5 is another side view thereof;
FIG. 6 is a top view thereof;
FIG. 7 is a bottom view thereof; and,
FIG. 8 is another perspective view thereof.
The broken lines illustrating portions of the speaker form no part of the claimed design.

1 Claim, 8 Drawing Sheets



US D770,418 S

Page 2

(56)

References Cited

U.S. PATENT DOCUMENTS

D534,525 S 1/2007 Peng
D563,391 S * 3/2008 Skurdal D14/172
D615,530 S * 5/2010 Dobson D14/216

D638,530 S * 5/2011 Smith D23/358
D693,330 S * 11/2013 Lee D14/215
D714,923 S * 10/2014 Engelhard D23/364
D755,750 S * 5/2016 Chen D14/172

* cited by examiner

FIG. 1

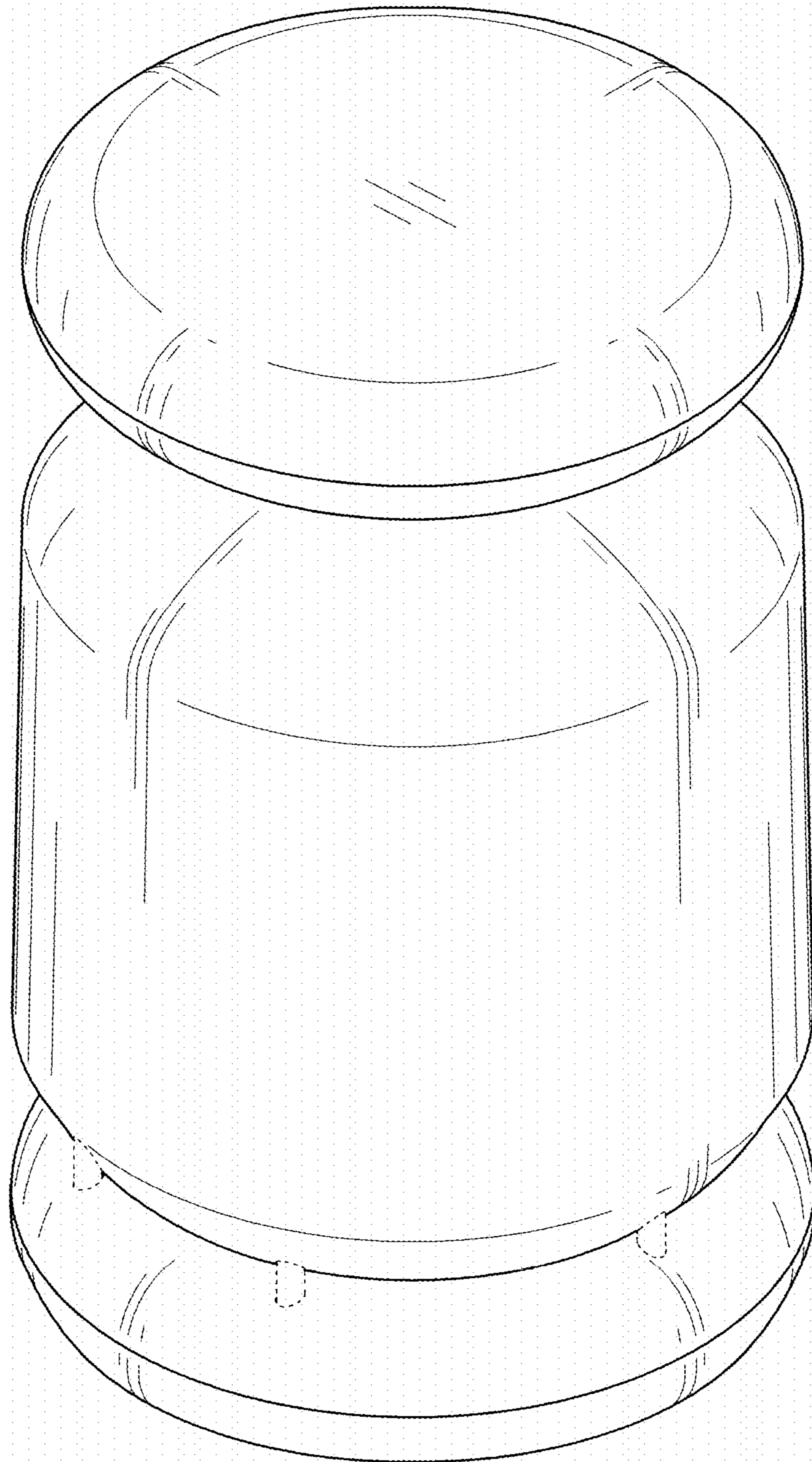


FIG. 2

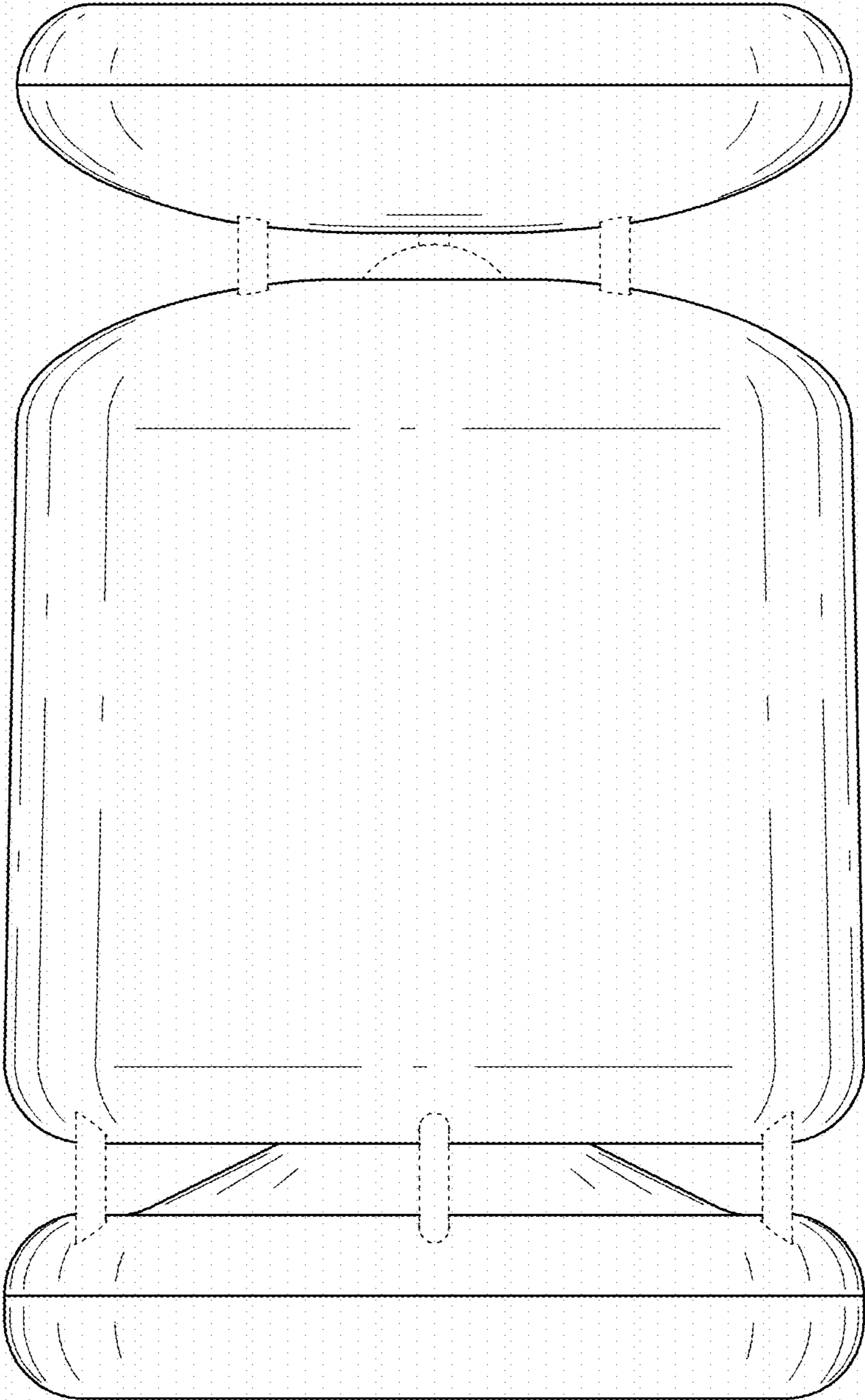


FIG. 3

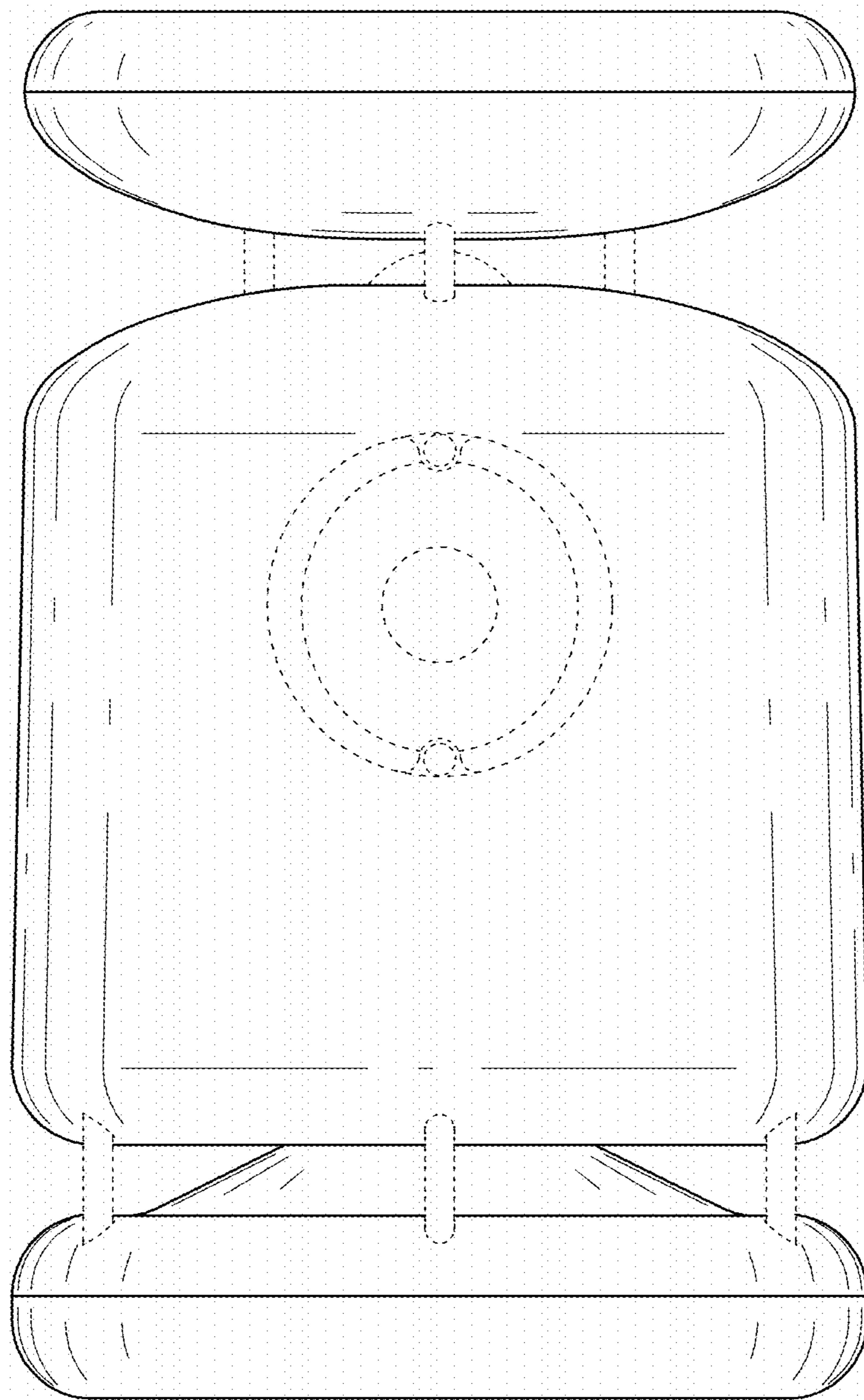


FIG. 4

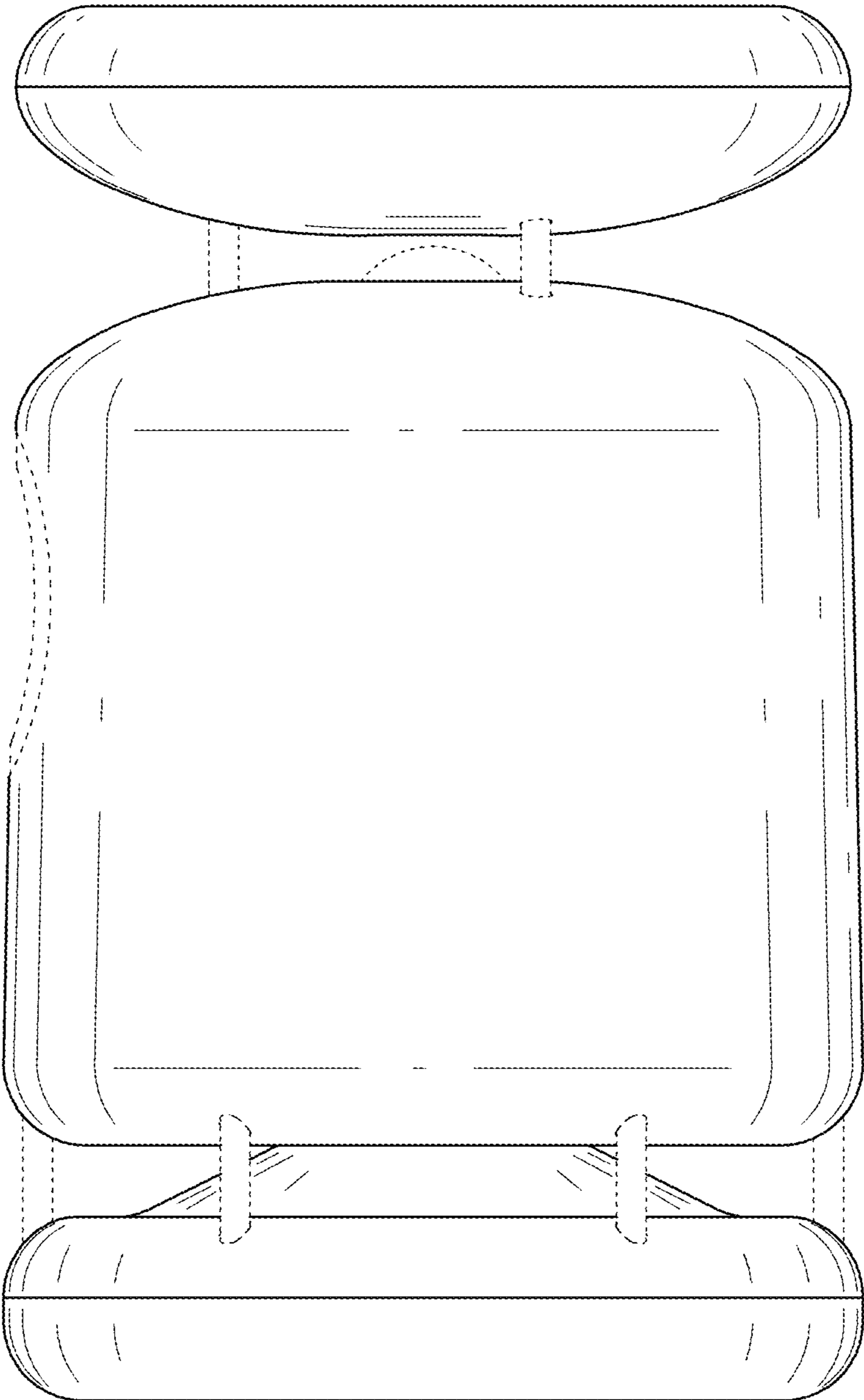


FIG. 5

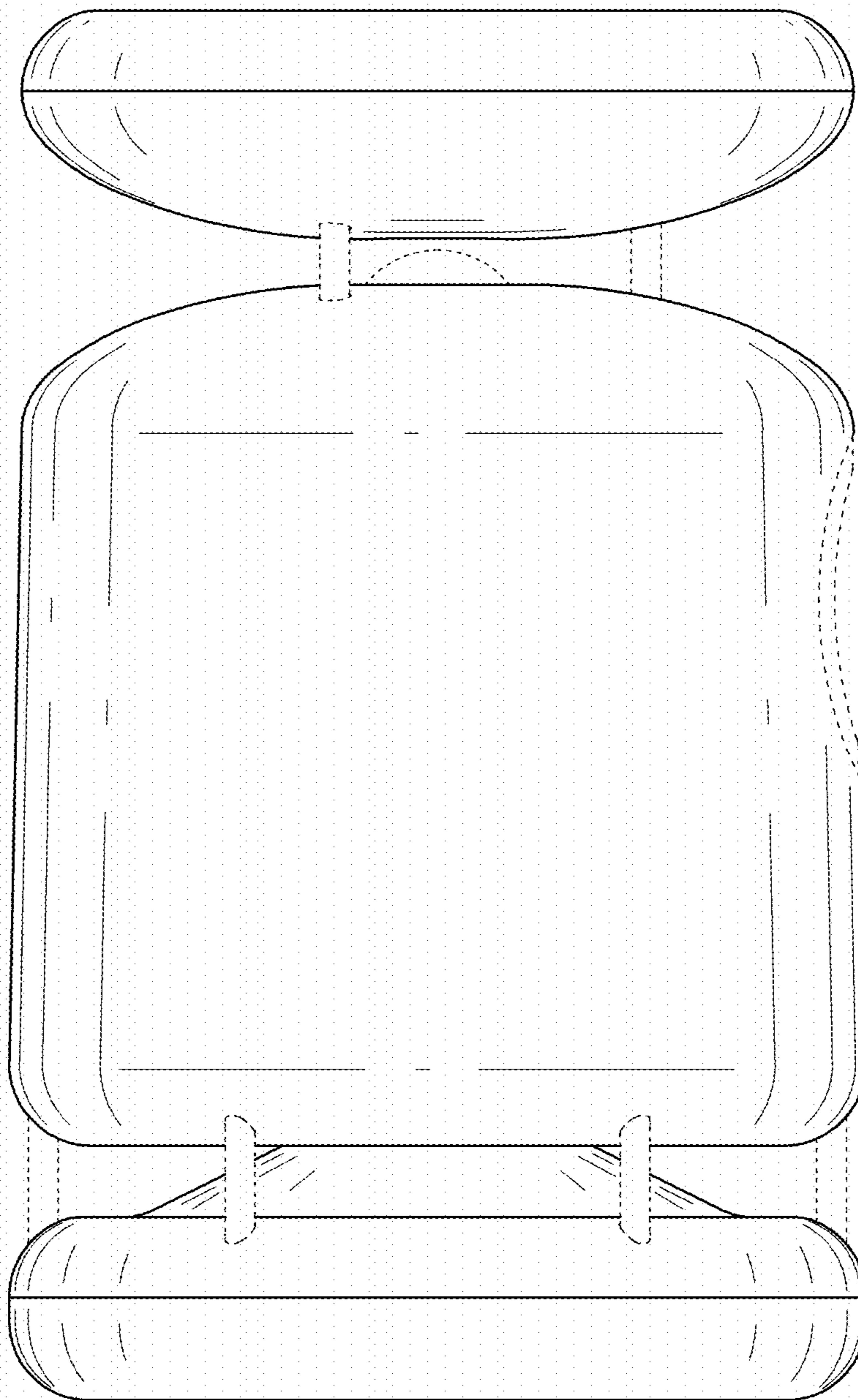


FIG. 6

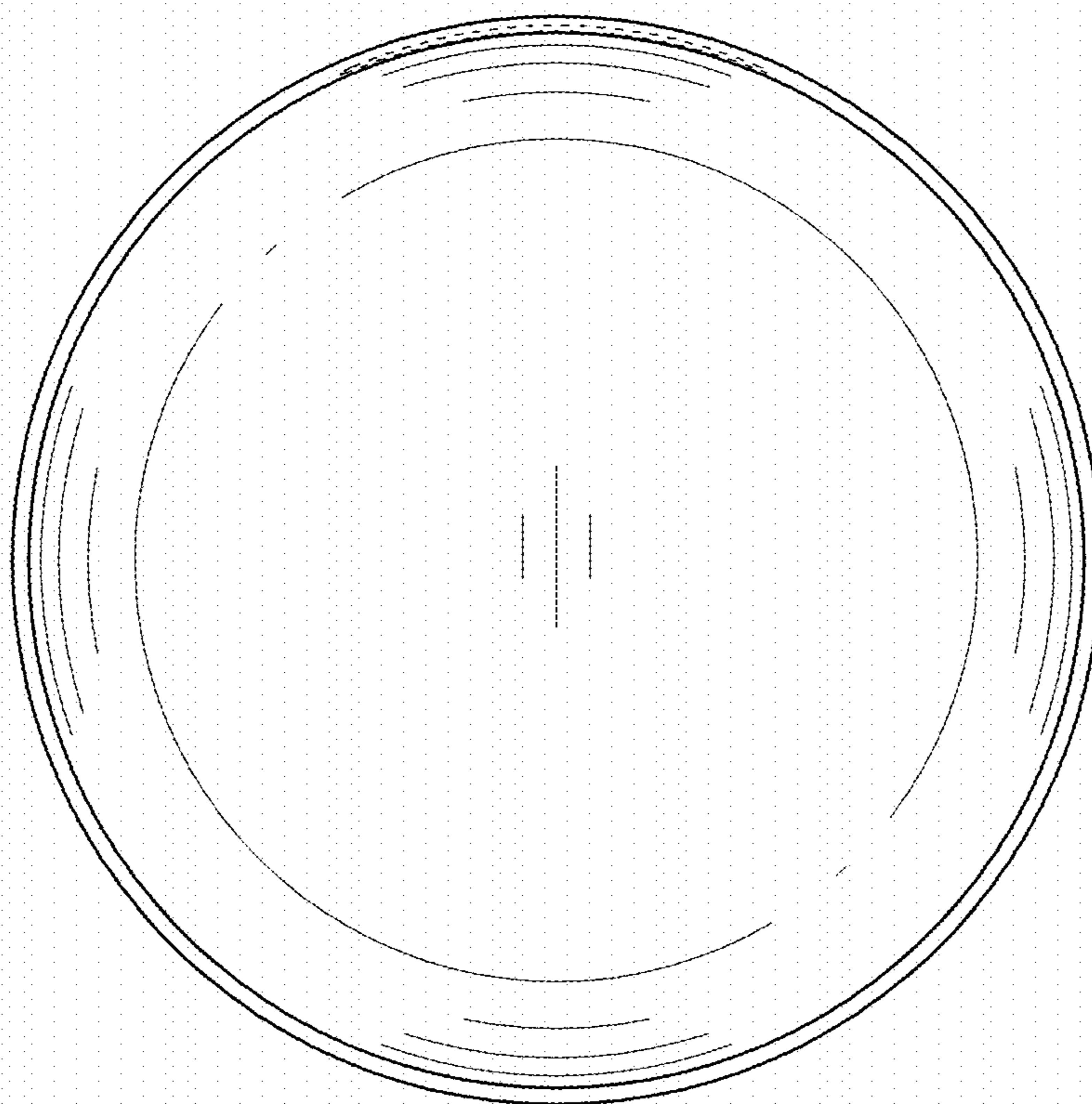


FIG. 7

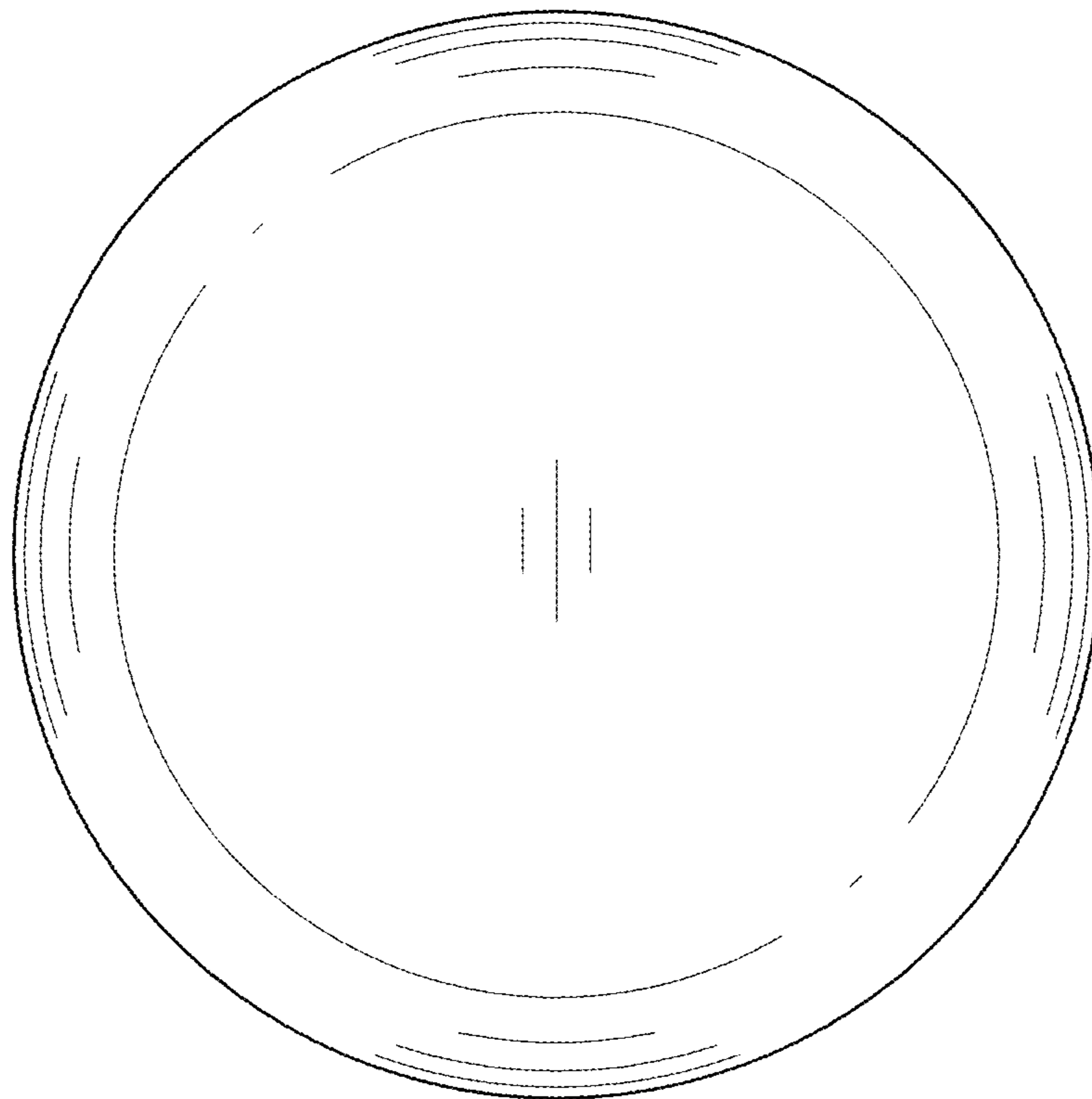


FIG. 8

