



US00D770417S

(12) **United States Design Patent** (10) **Patent No.:** **US D770,417 S**  
**Chen** (45) **Date of Patent:** **\*\* Nov. 1, 2016**

(54) **SPEAKER**

(71) Applicant: **Pengcheng Chen**, Guangdong (CN)

(72) Inventor: **Pengcheng Chen**, Guangdong (CN)

(\*\*) Term: **15 Years**

(21) Appl. No.: **29/532,546**

(22) Filed: **Jul. 8, 2015**

(51) **LOC (10) Cl.** ..... **14-03**

(52) **U.S. Cl.**  
USPC ..... **D14/216**

(58) **Field of Classification Search**  
USPC ..... D14/167, 168, 170-172, 188, 194-196,  
D14/204, 207, 209.1, 210-216, 219, 221,  
D14/222, 224, 239, 496; 181/143, 144, 147,  
181/148, 150, 153, 157, 198, 199;  
381/300-303, 306, 332, 333, 336, 345,  
381/361-364, 386-388; 369/6-12  
CPC ... B60R 11/0217; G06F 1/1688; G10K 9/22;  
G10K 11/004; H03F 1/327; H04M 1/03;  
H04M 1/035; H04N 5/642; H04N 21/4852;  
H04R 1/02; H04R 1/06; H04R 1/021; H04R  
1/025; H04R 1/026; H04R 1/028; H04R  
1/105; H04R 1/323; H04R 1/403; H04R  
1/2803; H04R 1/2834; H04R 5/02; H04R  
7/20; H04R 9/06; H04R 9/025; H04R  
2201/021; H04R 2400/00; H04R 2400/07;  
H04R 2499/11; H04R 2499/13; H04R  
2499/15; H04S 3/00; H04S 7/30  
See application file for complete search history.

(56) **References Cited**

U.S. PATENT DOCUMENTS

D537,072 S *	2/2007	Kim .....	D14/215
D560,209 S *	1/2008	Kim .....	D14/215
D636,760 S *	4/2011	Cheng .....	D14/216
D645,352 S *	9/2011	Bore .....	D9/443
D717,770 S *	11/2014	Yamamoto .....	D14/216
D730,872 S *	6/2015	Wan .....	D14/216
D756,955 S *	5/2016	Wagner .....	D14/203.6

\* cited by examiner

*Primary Examiner* — Keli L Hill

(74) *Attorney, Agent, or Firm* — Kaliko & Associates, LLC; Scott H. Kaliko, Esq.

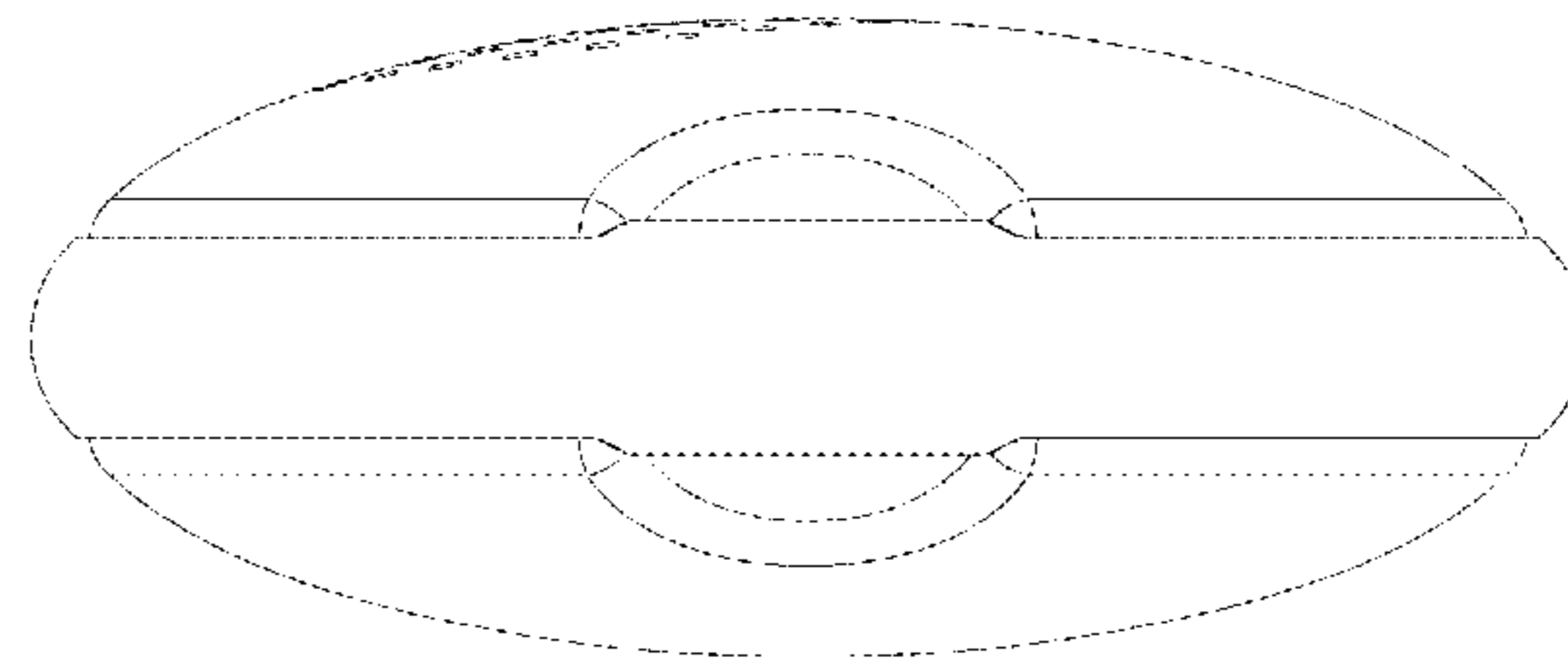
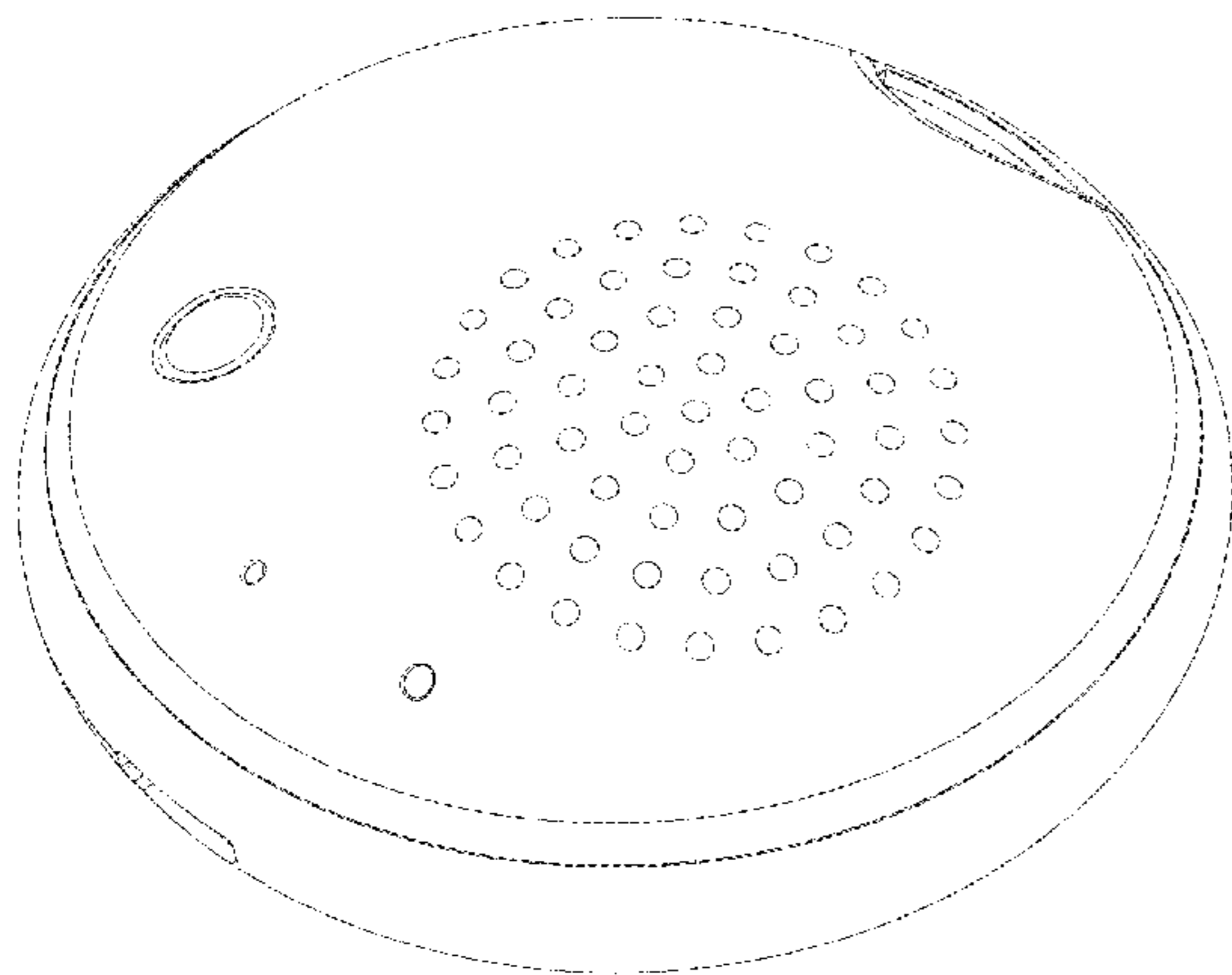
(57) **CLAIM**

An ornamental design for a speaker, as shown and described.

**DESCRIPTION**

FIG. 1 is a perspective view of a speaker, embodying my new design;  
FIG. 2 is a top plan view thereof;  
FIG. 3 is a bottom plan view thereof;  
FIG. 4 is a side elevation view thereof;  
FIG. 5 is an opposite side elevation view thereof;  
FIG. 6 is a back elevation view thereof; and,  
FIG. 7 is a front elevation view thereof.

**1 Claim, 6 Drawing Sheets**



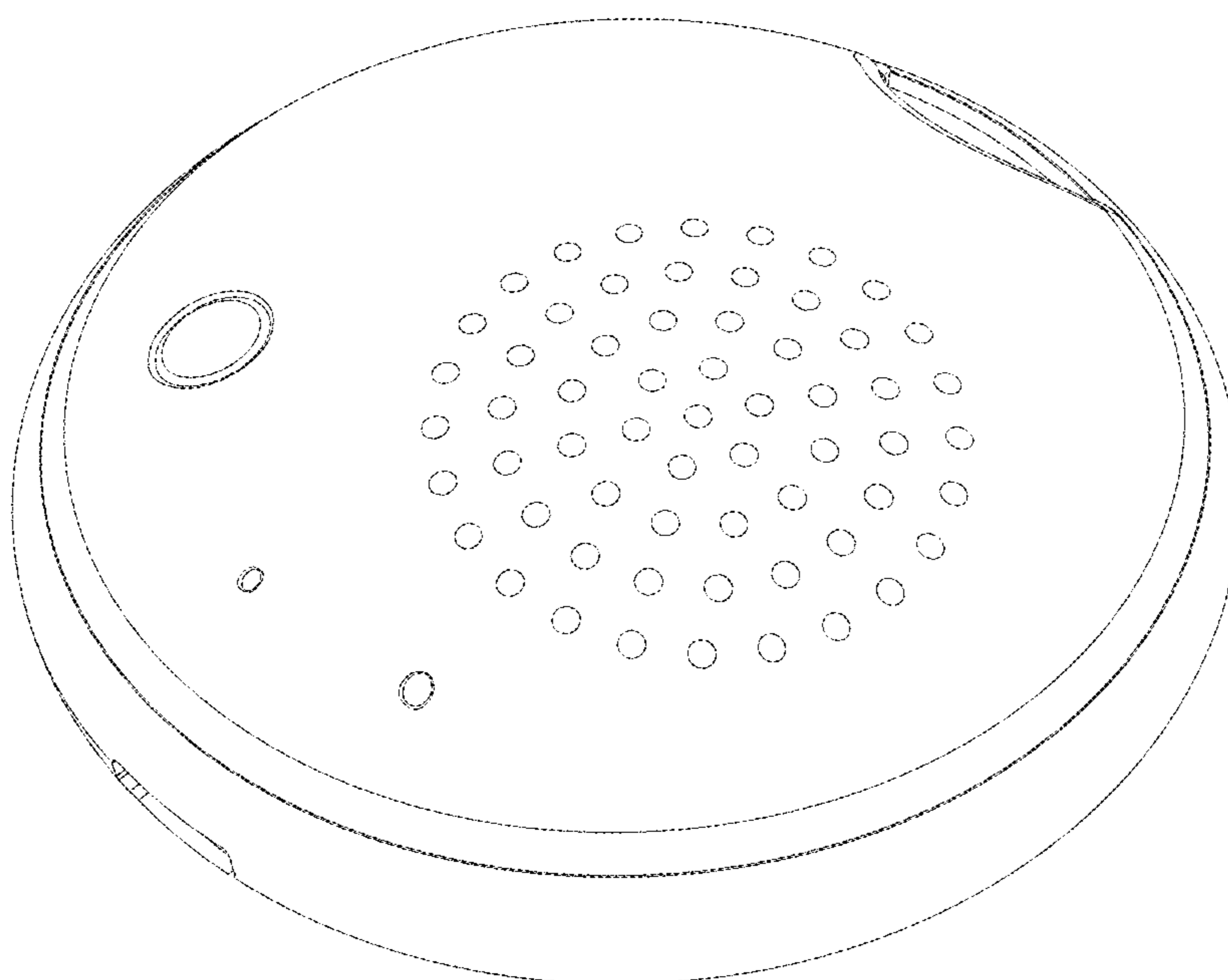


FIG. 1

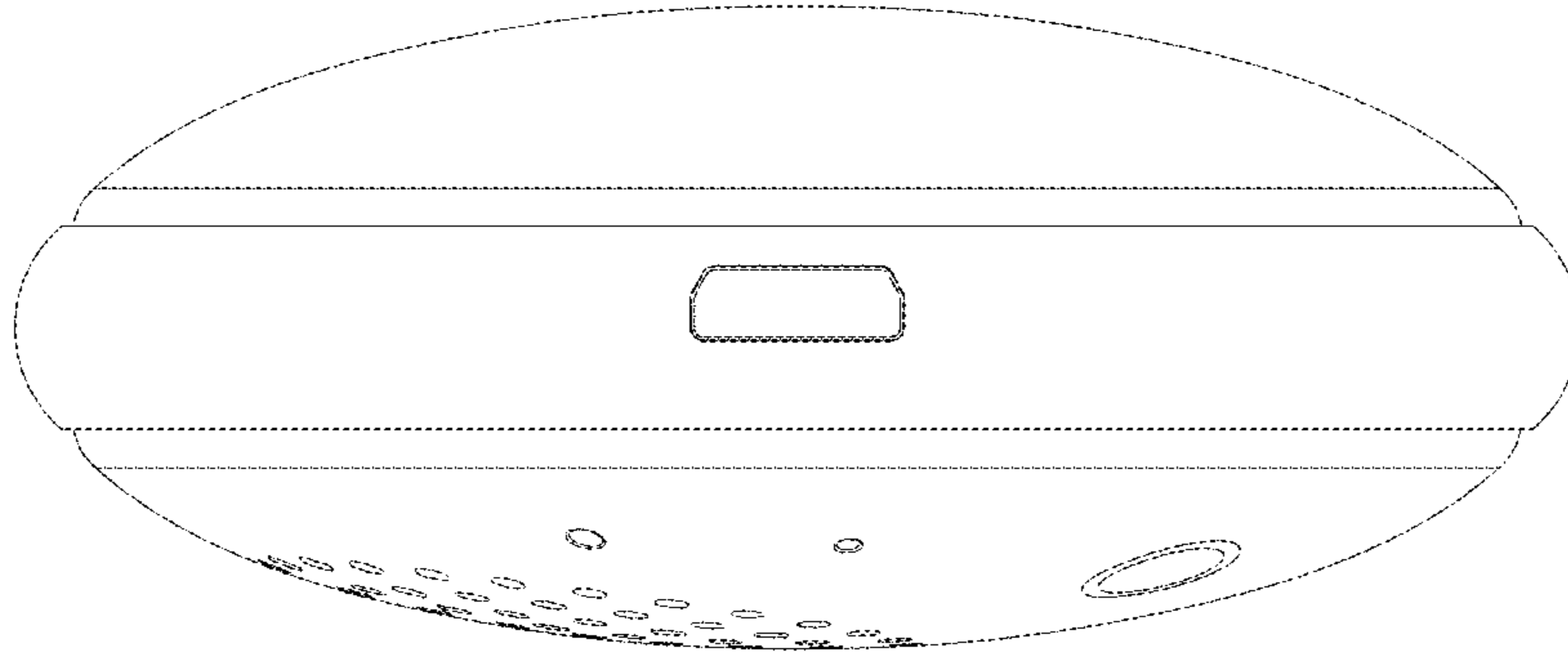


FIG. 2

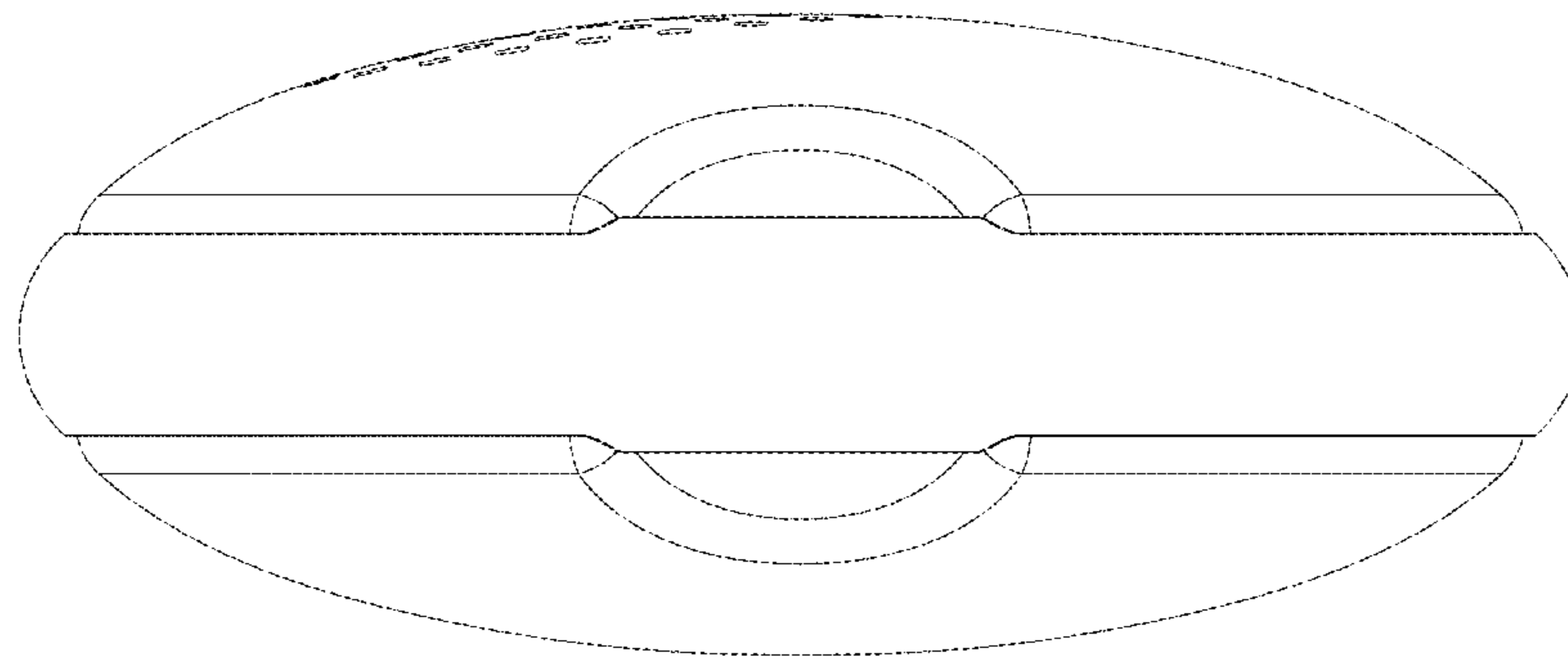


FIG. 3

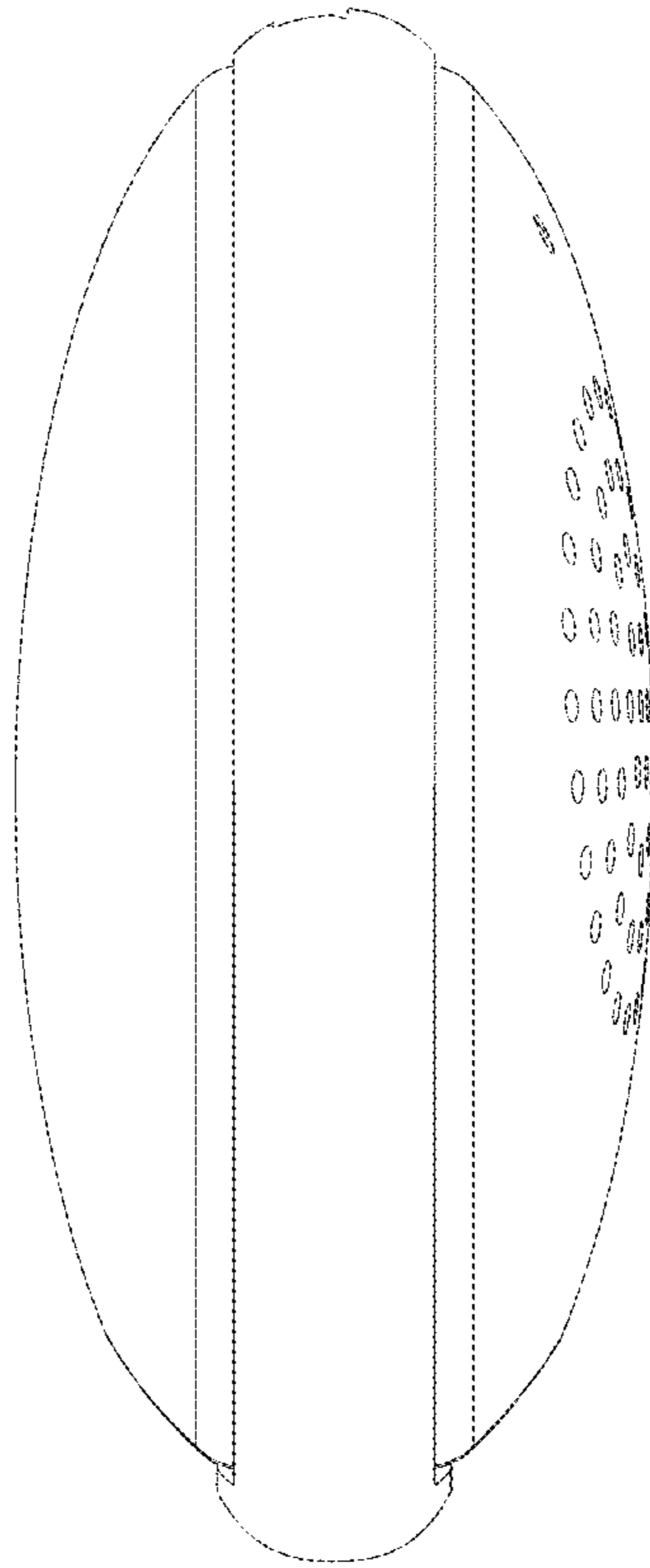


FIG. 4

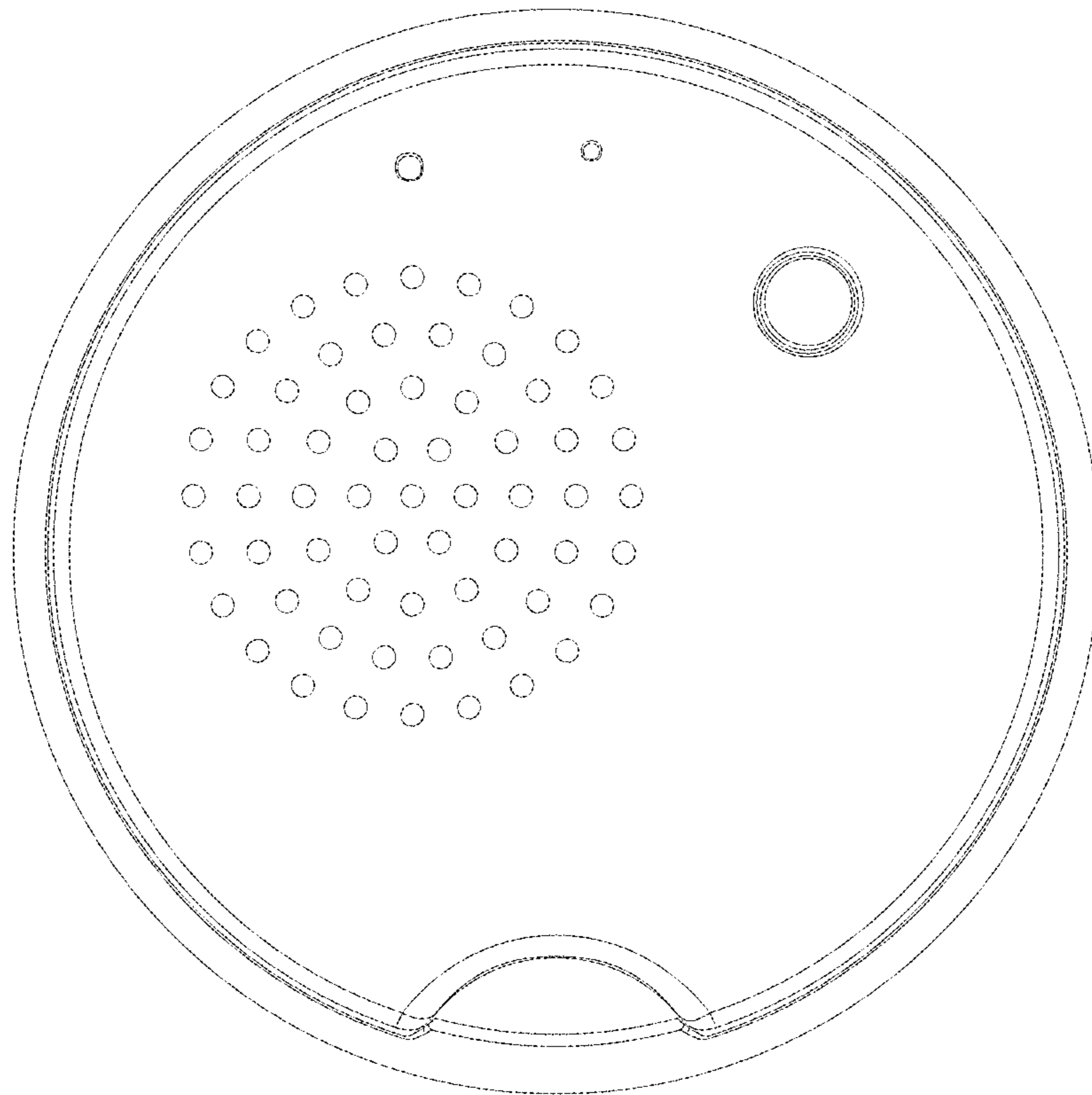


FIG. 5

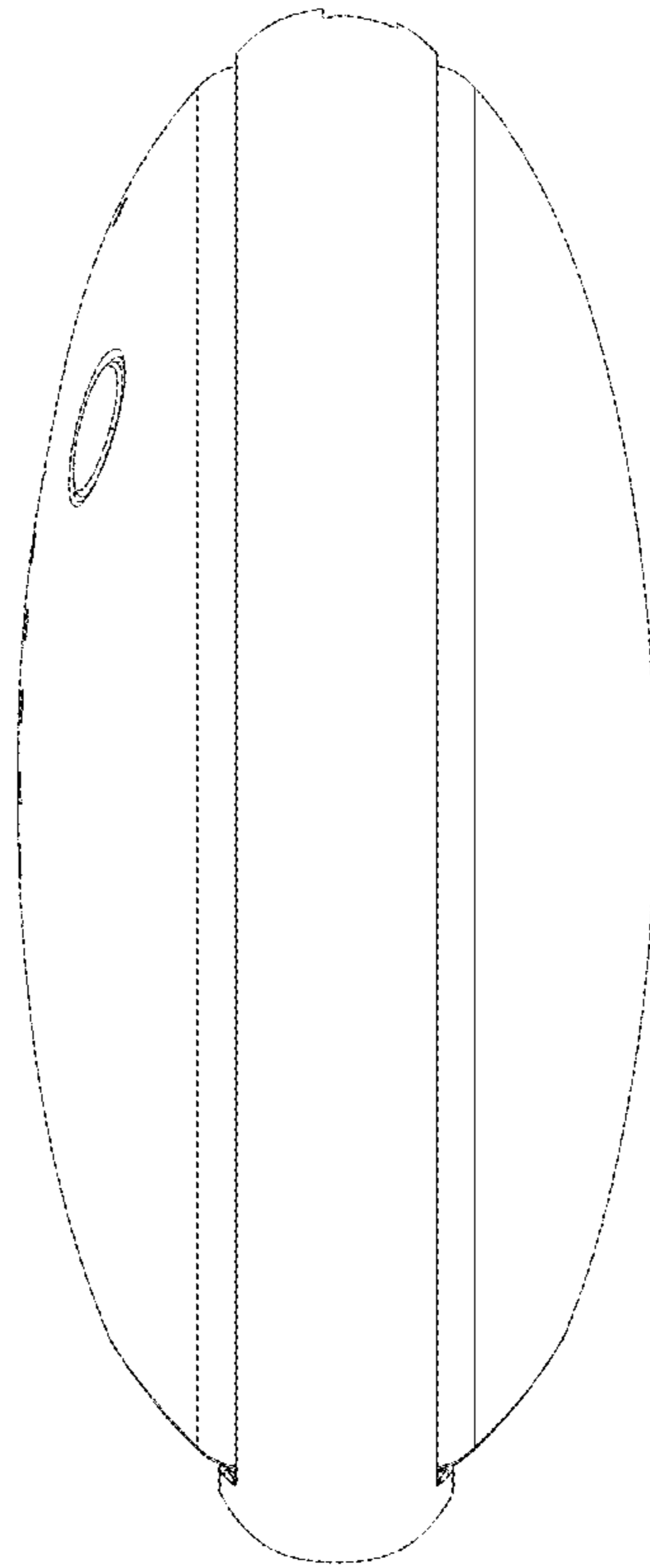


FIG. 6

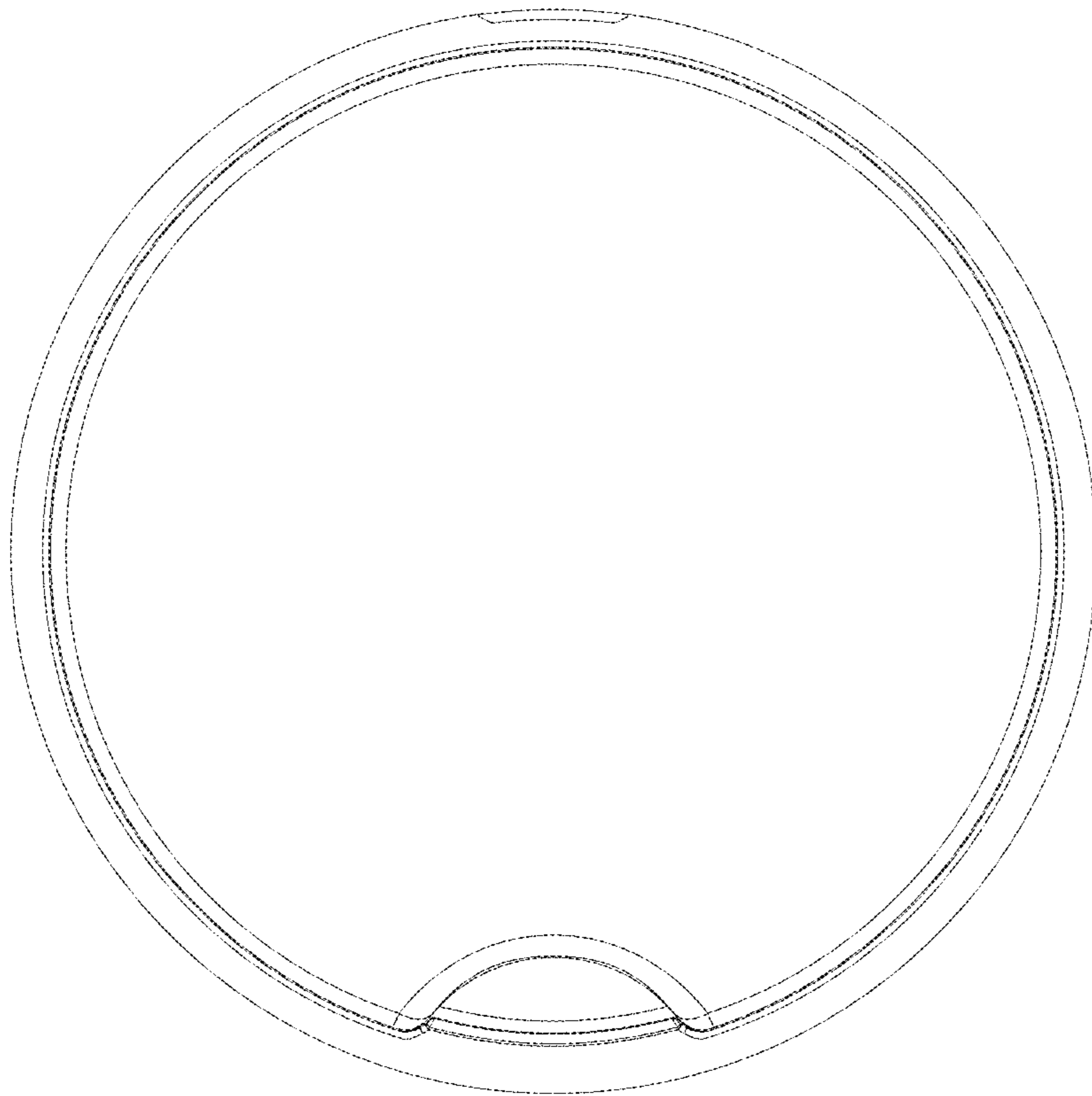


FIG. 7