



US00D770416S

(12) **United States Design Patent** (10) **Patent No.:** **US D770,416 S**
Tkachuk et al. (45) **Date of Patent:** **** Nov. 1, 2016**

(54) **SPEAKER**

2201/021; H04R 2400/00; H04R 2400/07;
H04R 2499/11; H04R 2499/13; H04R
2499/15; H04S 3/00; H04S 7/30

(71) Applicant: **Samsung Electronics Co., Ltd.**,
Suwon-si, Gyeonggi-do (KR)

See application file for complete search history.

(72) Inventors: **Steven Tkachuk**, San Jose, CA (US);
James Hicks, San Jose, CA (US); **Moe
Tanabian**, San Jose, CA (US); **Chris
Turkstra**, San Jose, CA (US)

(56) **References Cited**

U.S. PATENT DOCUMENTS

(73) Assignee: **SAMSUNG ELECTRONICS CO.,
LTD.**, Suwon-Si, Gyeonggi-Do (KR)

D542,279 S *	5/2007	Chan	D14/216
D612,837 S *	3/2010	Murray	D14/216
D659,680 S *	5/2012	Kim	D14/216
D687,809 S *	8/2013	Bergmann	D14/209.1
D692,413 S *	10/2013	Holzer	D14/215
D697,054 S *	1/2014	Li	D14/216
D726,156 S *	4/2015	Gillespie-Brown	D14/216
D752,552 S *	3/2016	D'Ascanio	D14/216

(**) Term: **15 Years**

* cited by examiner

(21) Appl. No.: **29/531,813**

Primary Examiner — Keli L Hill

(22) Filed: **Jun. 30, 2015**

(74) *Attorney, Agent, or Firm* — Ladas & Parry LLP

(30) **Foreign Application Priority Data**

Jan. 30, 2015 (KR) 30-2015-0005288

(51) **LOC (10) Cl.** **14-03**

(52) **U.S. Cl.**
USPC **D14/216**

(58) **Field of Classification Search**
USPC D14/167, 168, 170–172, 188, 194–196,
D14/204, 207, 209.1, 210–216, 219, 221,
D14/222, 224, 239, 496; 181/143, 144, 147,
181/148, 150, 153, 157, 198, 199;
381/300–303, 306, 332, 333, 336, 345,
381/361–364, 386–388; 369/6–12
CPC ... B60R 11/0217; G06F 1/1688; G10K 9/22;
G10K 11/004; H03F 1/327; H04M 1/03;
H04M 1/035; H04N 5/642; H04N 21/4852;
H04R 1/02; H04R 1/06; H04R 1/021; H04R
1/025; H04R 1/026; H04R 1/028; H04R
1/105; H04R 1/323; H04R 1/403; H04R
1/2803; H04R 1/2834; H04R 5/02; H04R
7/20; H04R 9/06; H04R 9/025; H04R

(57) **CLAIM**

We claim the ornamental design for a speaker, as shown and described.

DESCRIPTION

FIG. 1 is the front perspective view of a speaker showing our new design;
FIG. 2 is the front view thereof;
FIG. 3 is the rear view thereof;
FIG. 4 is the left-side view thereof;
FIG. 5 is the right-side view thereof;
FIG. 6 is the top plan view thereof; and,
FIG. 7 is the bottom plan view thereof.
The broken lines in the drawing show unclaimed environment only and form no part of the claimed design.

1 Claim, 7 Drawing Sheets

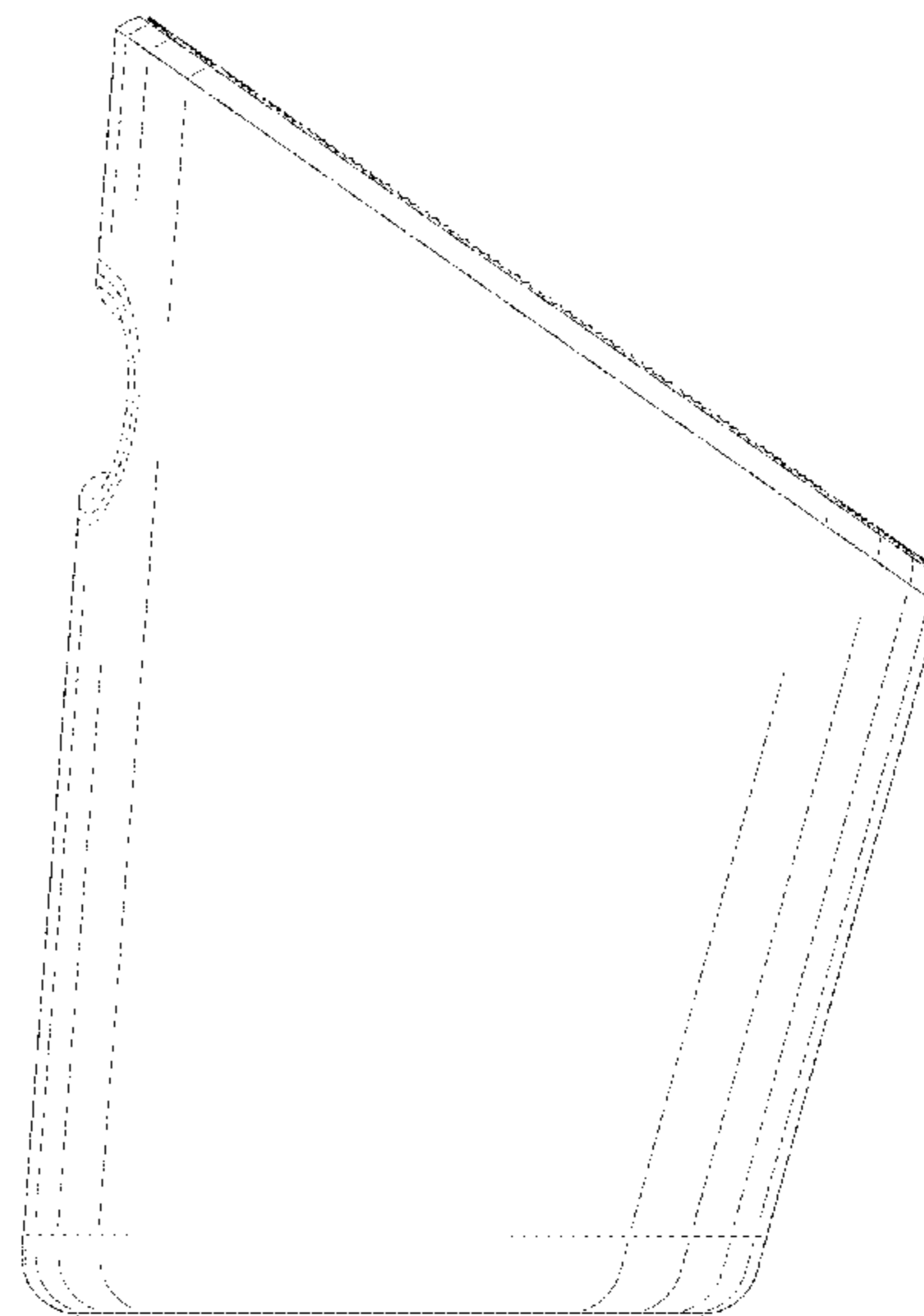
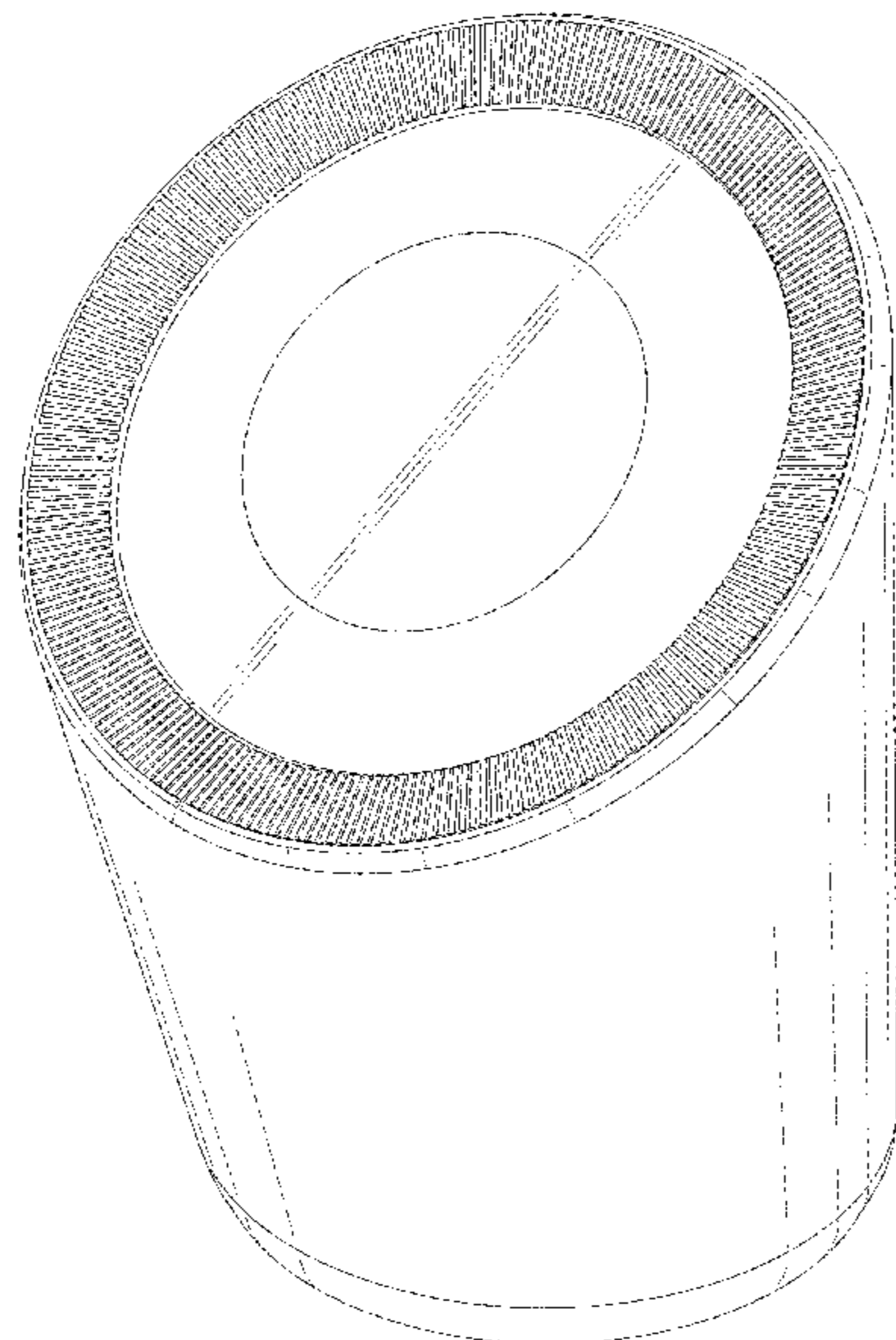


FIG. 1

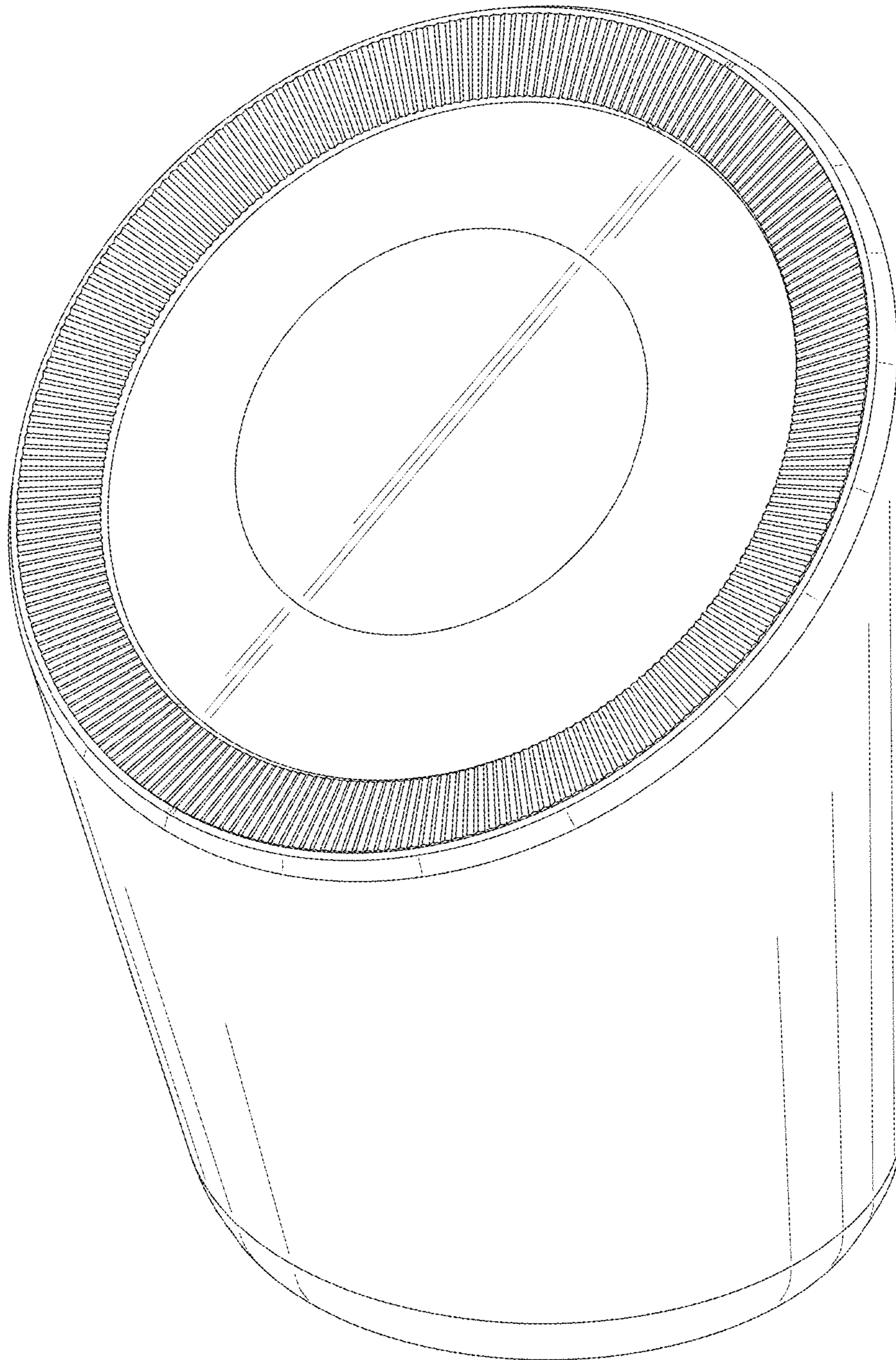


FIG. 2

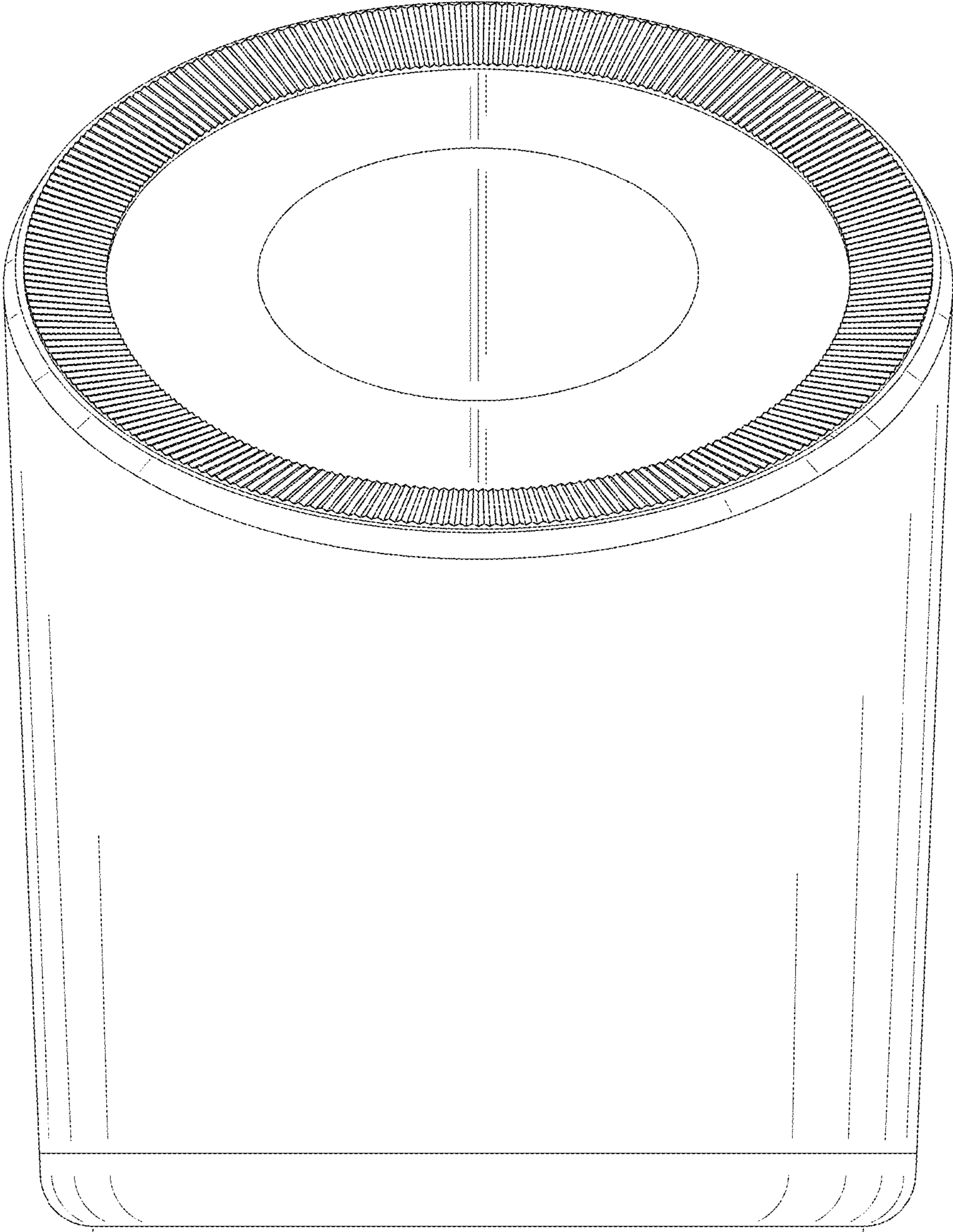


FIG. 3

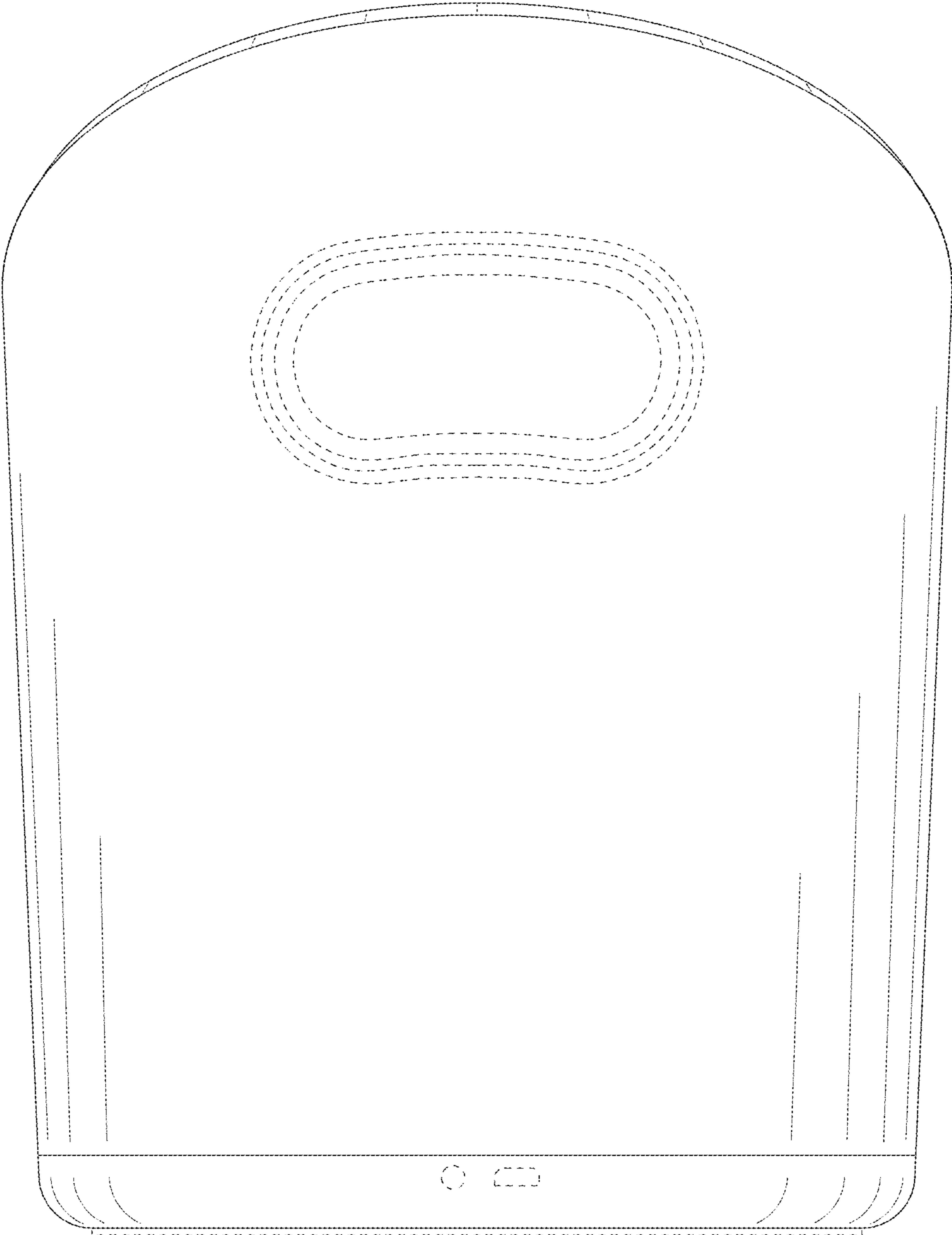


FIG. 4

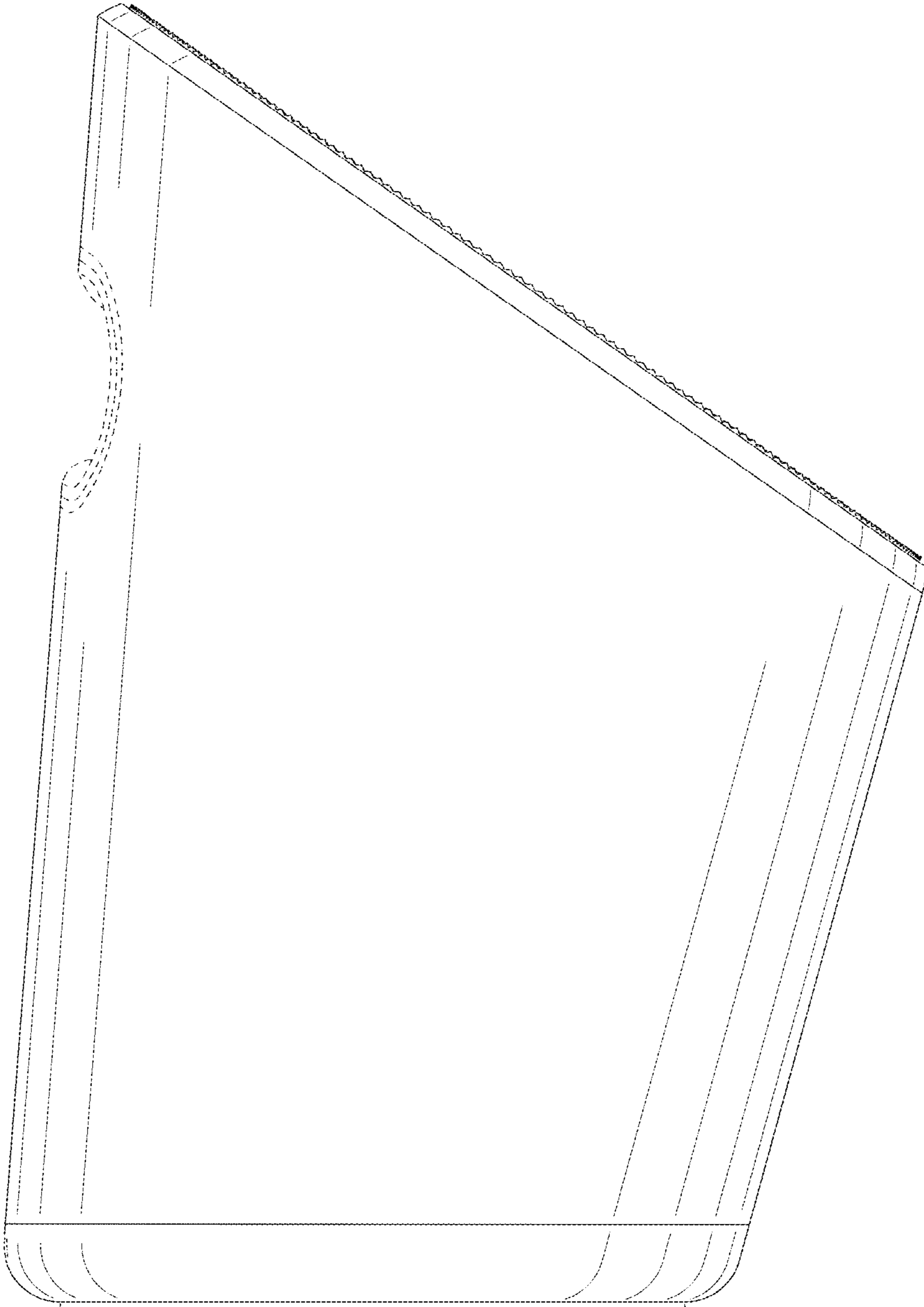


FIG. 5

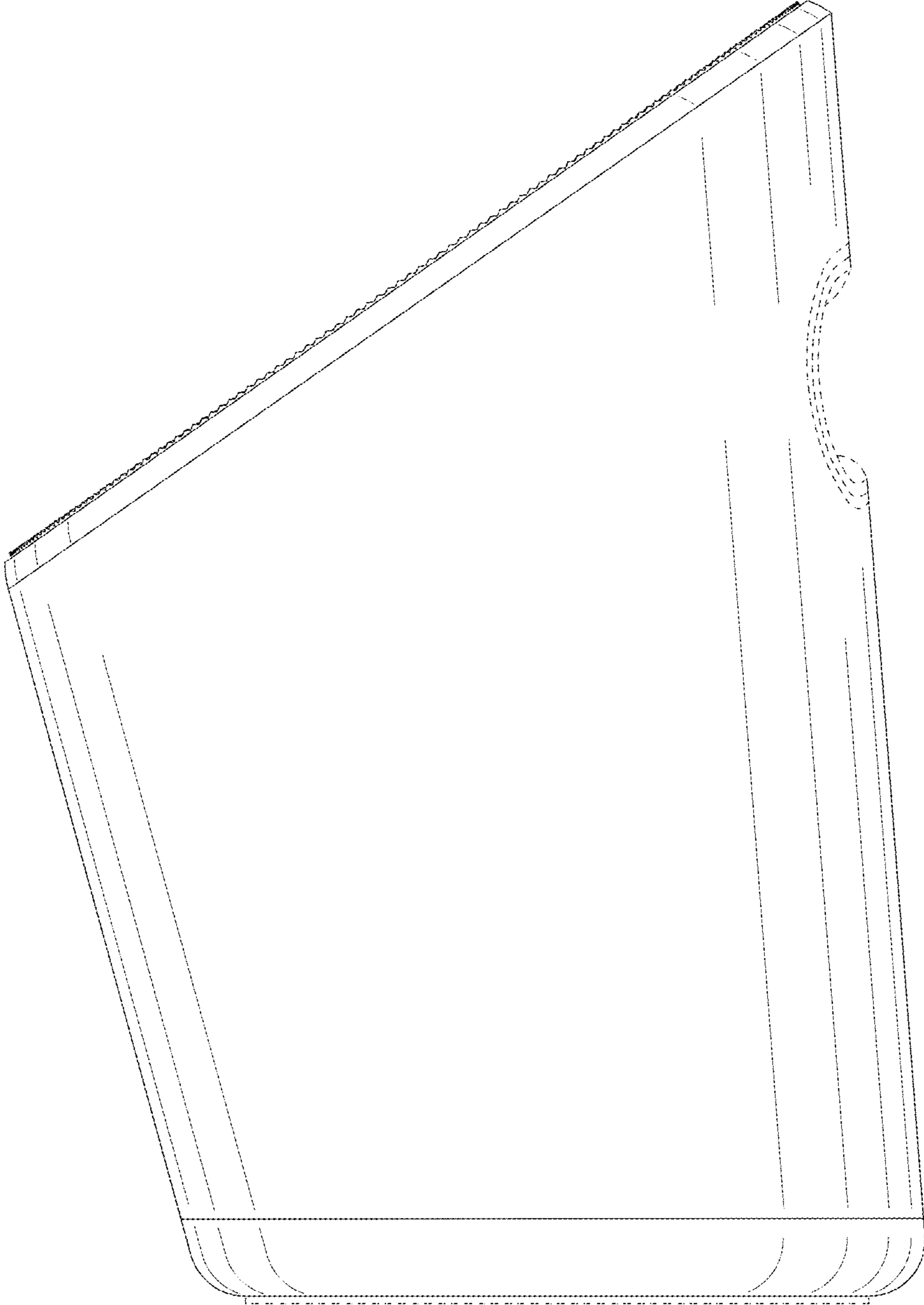


FIG. 6

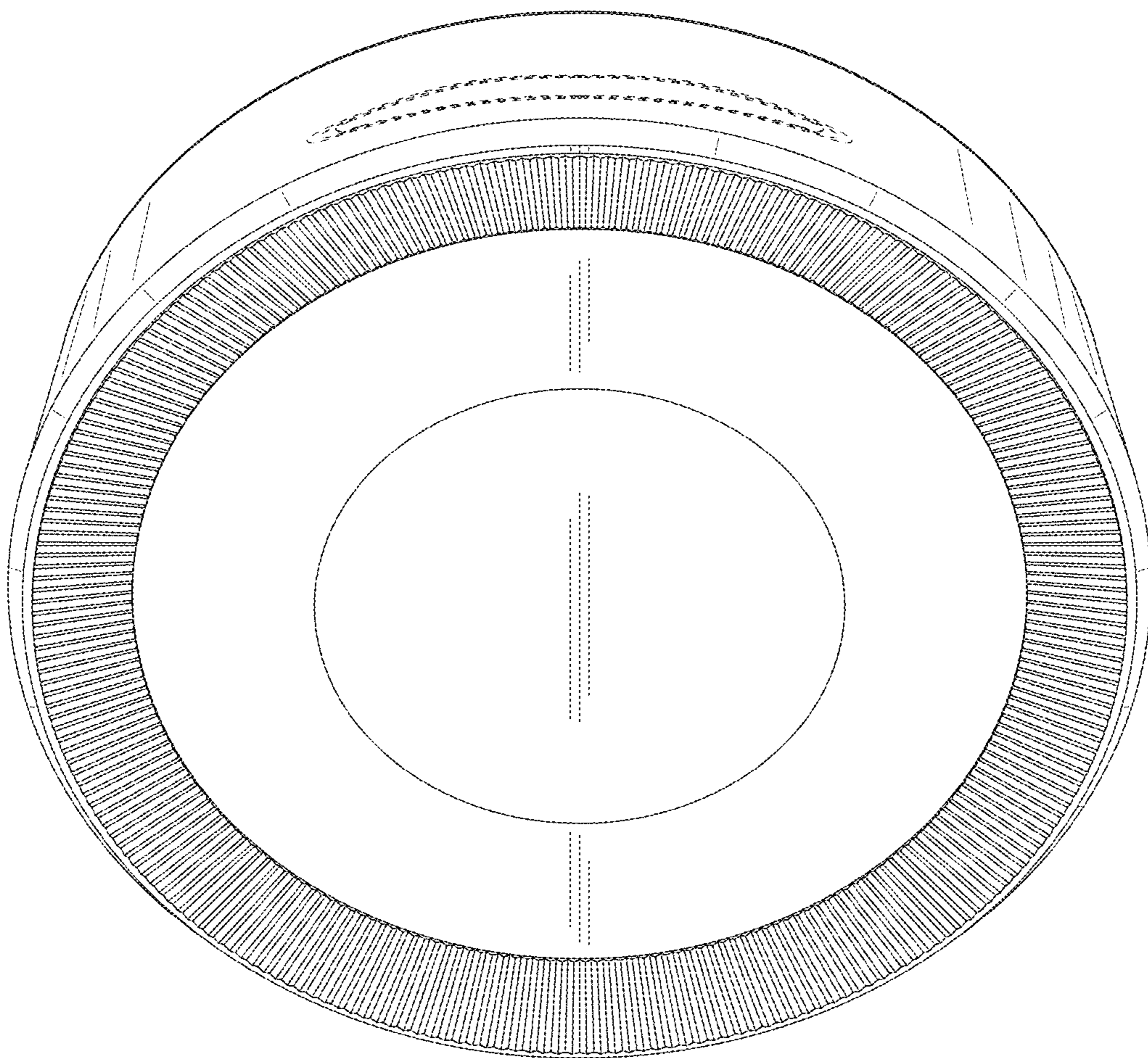


FIG. 7

