



US00D770414S

(12) **United States Design Patent**  
**Davies et al.**

(10) **Patent No.:** **US D770,414 S**  
(45) **Date of Patent:** **\*\* Nov. 1, 2016**

- (54) **LOUDSPEAKER**
- (71) Applicant: **GP ACOUSTICS INTERNATIONAL LIMITED**, New Territories, Hong Kong (HK)
- (72) Inventors: **John Simon Davies**, Hong Kong (HK); **Patrick Hung Yan Ho**, Hong Kong (HK); **Eddy Rinna**, Hong Kong (HK); **Jack Yang Chang**, Hong Kong (HK)
- (73) Assignee: **GP ACOUSTICS INTERNATIONAL LIMITED**, New Territories (HK)
- (\*\*) Term: **14 Years**
- (21) Appl. No.: **29/490,838**
- (22) Filed: **May 14, 2014**
- (51) **LOC (10) Cl.** ..... **14-03**
- (52) **U.S. Cl.**  
USPC ..... **D14/215**; D14/222
- (58) **Field of Classification Search**  
USPC ..... D14/167, 168, 170-172, 188, 194-196, D14/204, 207, 209.1, 210-216, 219, 221, D14/222, 224, 239, 496; 181/143, 144, 147, 181/148, 150, 153, 157, 198, 199; 381/300-303, 306, 332, 333, 336, 345, 381/361-364, 386-388; 369/6-12  
CPC ... B60R 11/0217; G06F 1/1688; G10K 9/22; G10K 11/004; H03F 1/327; H04M 1/03; H04M 1/035; H04N 5/642; H04N 21/4852; H04R 1/02; H04R 1/06; H04R 1/021; H04R 1/025; H04R 1/026; H04R 1/028; H04R 1/105; H04R 1/323; H04R 1/403; H04R 1/2803; H04R 1/2834; H04R 5/02; H04R 7/20; H04R 9/06; H04R 9/025; H04R 2201/021; H04R 2400/00; H04R 2400/07; H04R 2499/11; H04R 2499/13; H04R 2499/15; H04S 3/00; H04S 7/30  
See application file for complete search history.

- D673,144 S \* 12/2012 Onoue ..... D14/188
- D676,025 S \* 2/2013 Davies ..... D14/204
- D678,245 S \* 3/2013 Davies ..... D14/215
- D678,246 S \* 3/2013 Davies ..... D14/204
- D680,099 S \* 4/2013 Davies ..... D14/204

(Continued)

*Primary Examiner* — Keli L Hill  
(74) *Attorney, Agent, or Firm* — Nixon Peabody LLP; Jeffrey L. Costellia

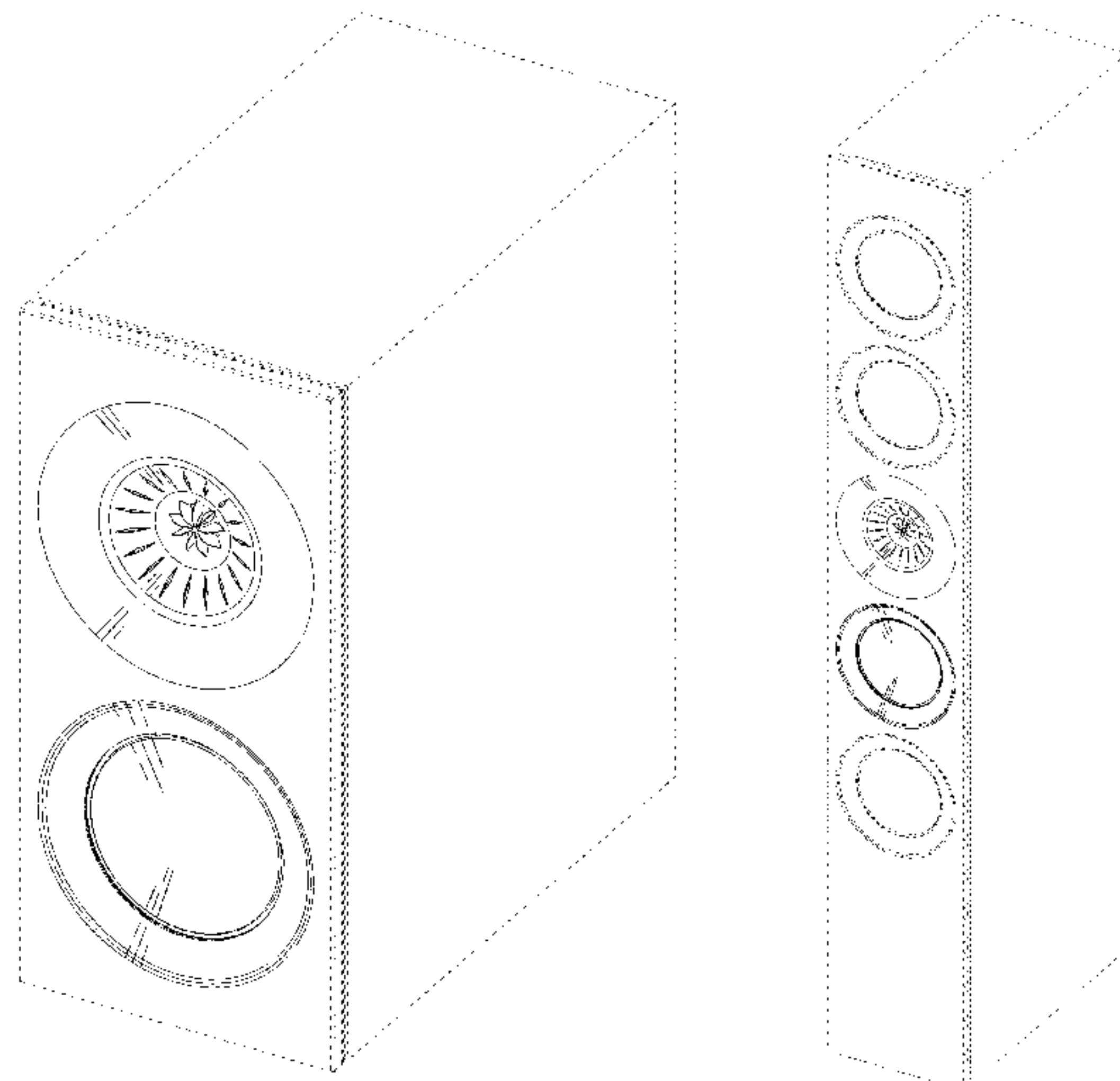
(57) **CLAIM**  
The ornamental design for a loudspeaker, as shown and described.

**DESCRIPTION**

FIG. 1 is a front elevational view of a loudspeaker showing our new design;  
 FIG. 2 is a rear elevational view thereof;  
 FIG. 3 is a left side elevational view thereof;  
 FIG. 4 is a right side elevational view thereof;  
 FIG. 5 is a top plan view thereof;  
 FIG. 6 is a bottom plan view thereof;  
 FIG. 7 is a front perspective view thereof;  
 FIG. 8 is a back perspective view thereof;  
 FIG. 9 is a front elevational view of a loudspeaker showing a second embodiment of the design of FIG. 1, the only difference being the number and arrangement of components;  
 FIG. 10 is a rear elevational view thereof;  
 FIG. 11 is a left side elevational view thereof;  
 FIG. 12 is a right side elevational view thereof;  
 FIG. 13 is a top plan view thereof;  
 FIG. 14 is a bottom plan view thereof;  
 FIG. 15 is a front perspective view thereof; and,  
 FIG. 16 is a back perspective view thereof.  
 The broken line showing of an enclosure for the loudspeaker is for the purpose of illustrating environmental structure and forms no part of the claimed design.

- (56) **References Cited**  
U.S. PATENT DOCUMENTS  
D593,541 S \* 6/2009 Muraoka ..... D14/215  
D672,751 S \* 12/2012 Davies ..... D14/204

**1 Claim, 16 Drawing Sheets**



# US D770,414 S

Page 2

---

(56)

## References Cited

### U.S. PATENT DOCUMENTS

D687,412 S \* 8/2013 Davies ..... D14/213  
D687,812 S \* 8/2013 Lee ..... D14/211  
D695,270 S \* 12/2013 Lam ..... D14/211

D715,261 S \* 10/2014 Lee ..... D14/215  
D736,180 S \* 8/2015 Paslawski ..... D14/213  
D736,739 S \* 8/2015 Son ..... D14/204  
D738,352 S \* 9/2015 Alexander ..... D14/215

\* cited by examiner

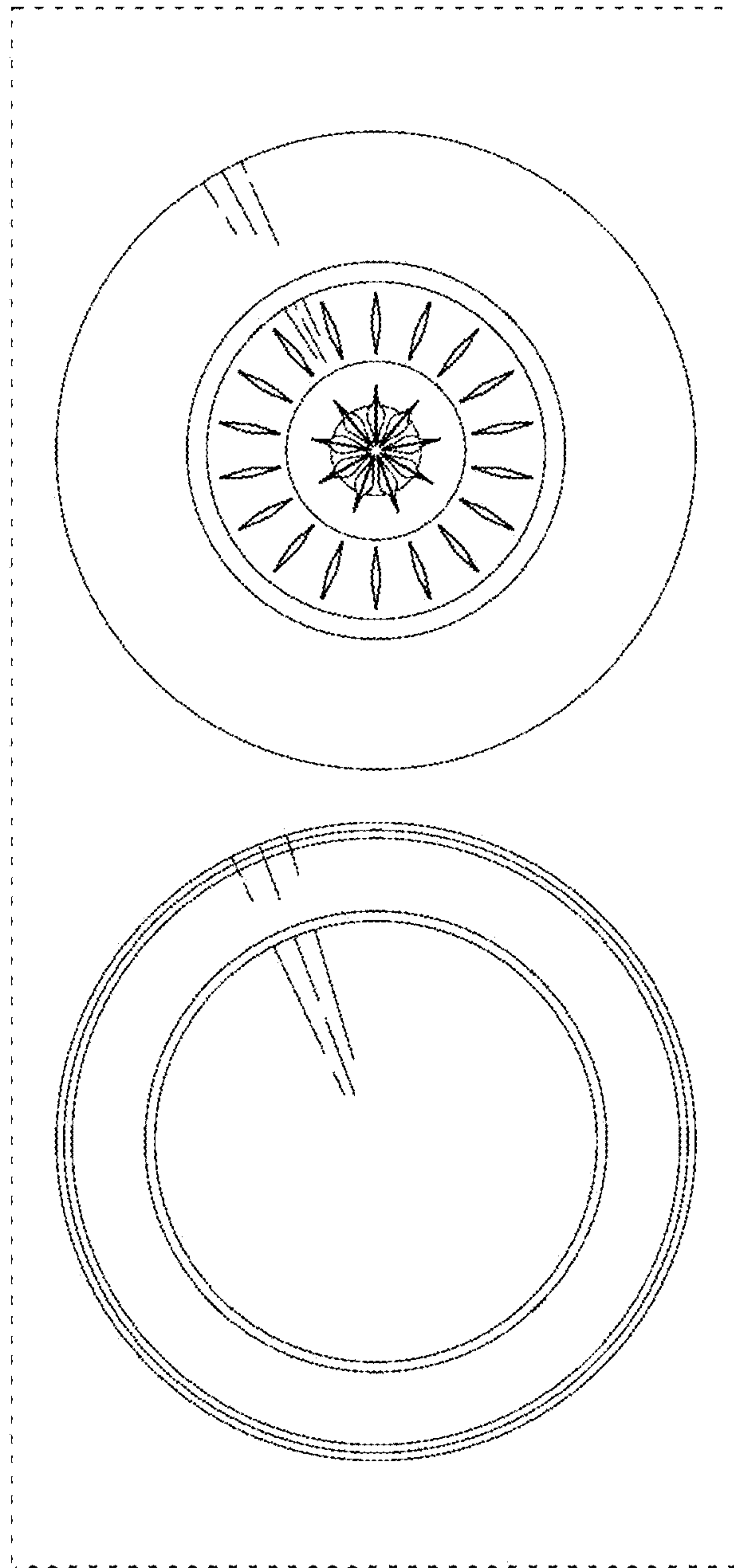


FIG. 1



FIG. 2



FIG. 3



FIG. 4



FIG. 5

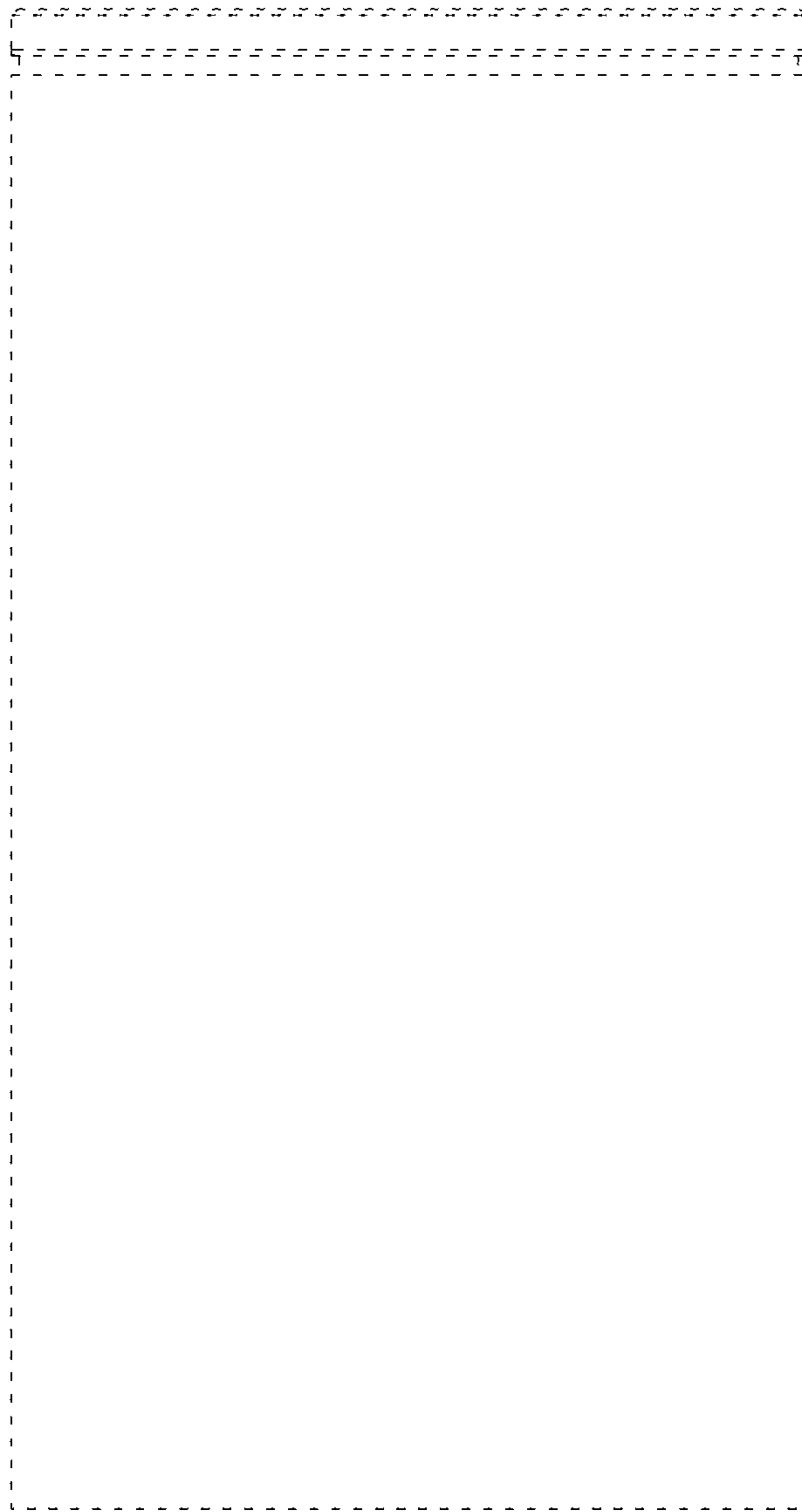


FIG. 6



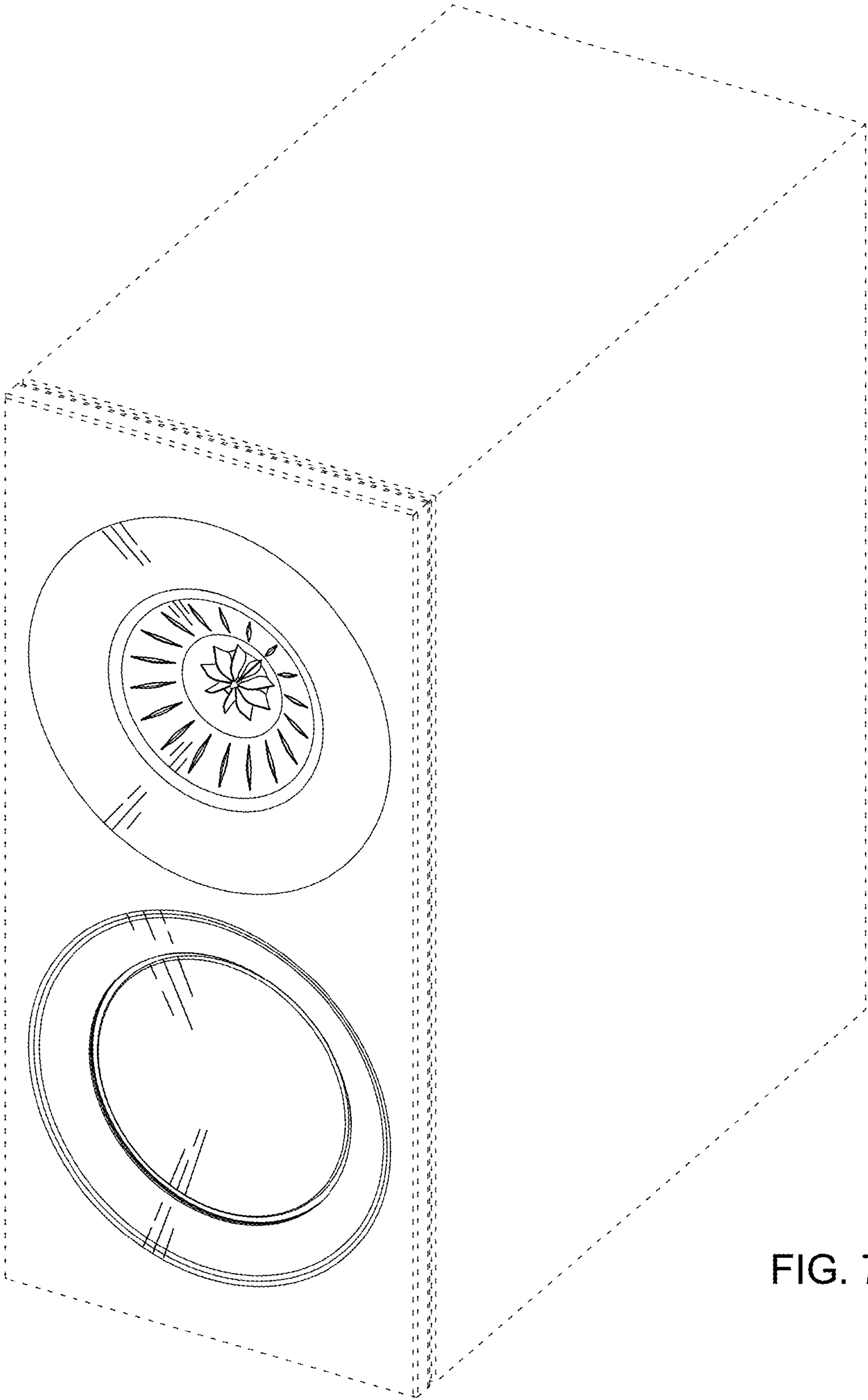


FIG. 7

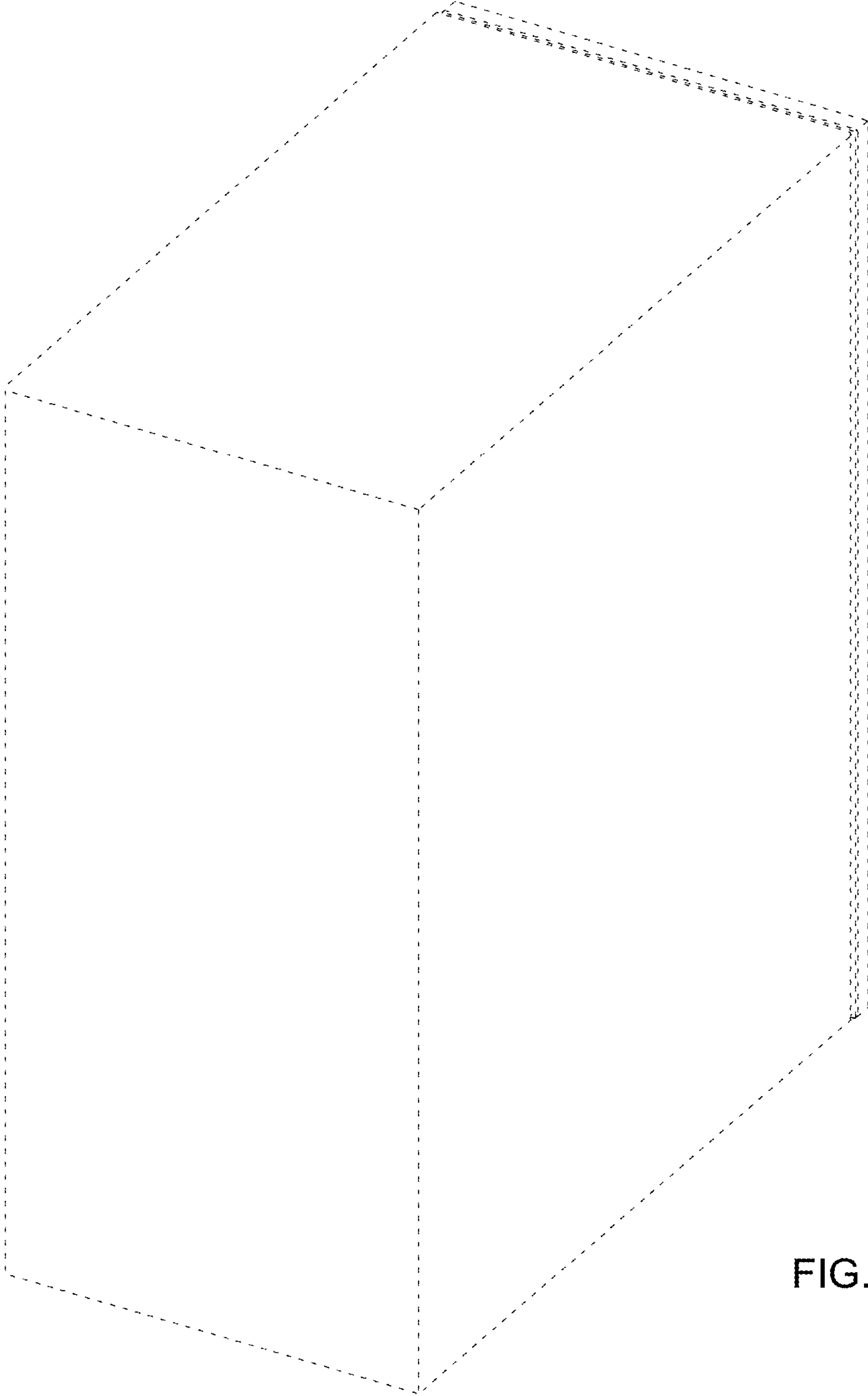


FIG. 8

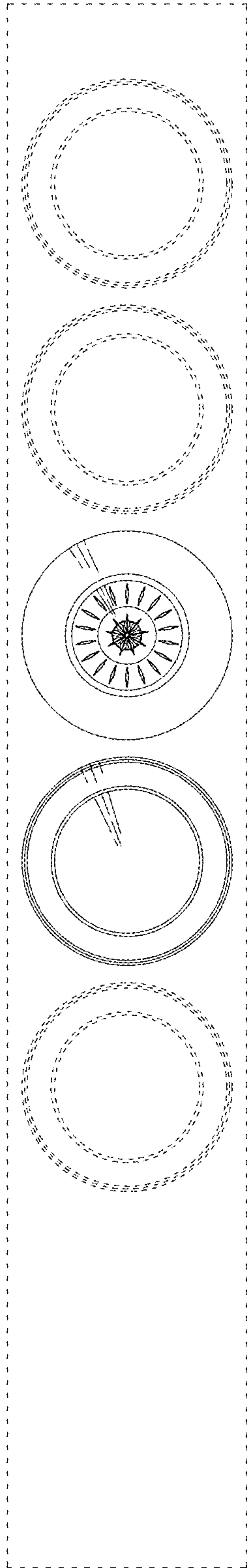
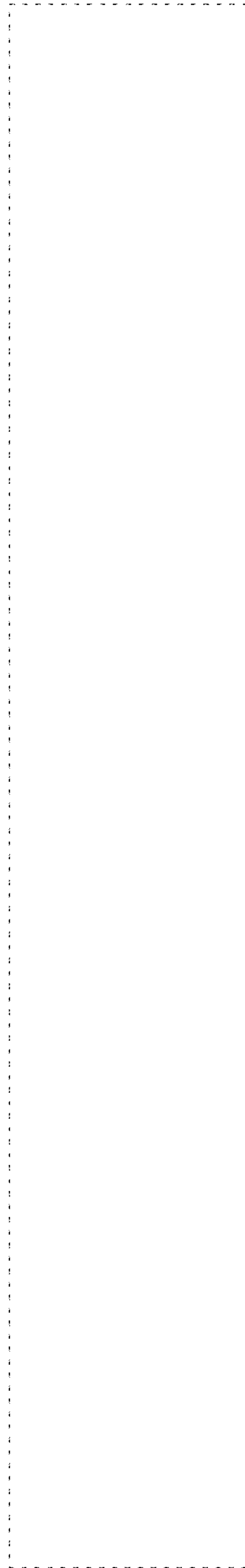


FIG. 9



**FIG. 10**

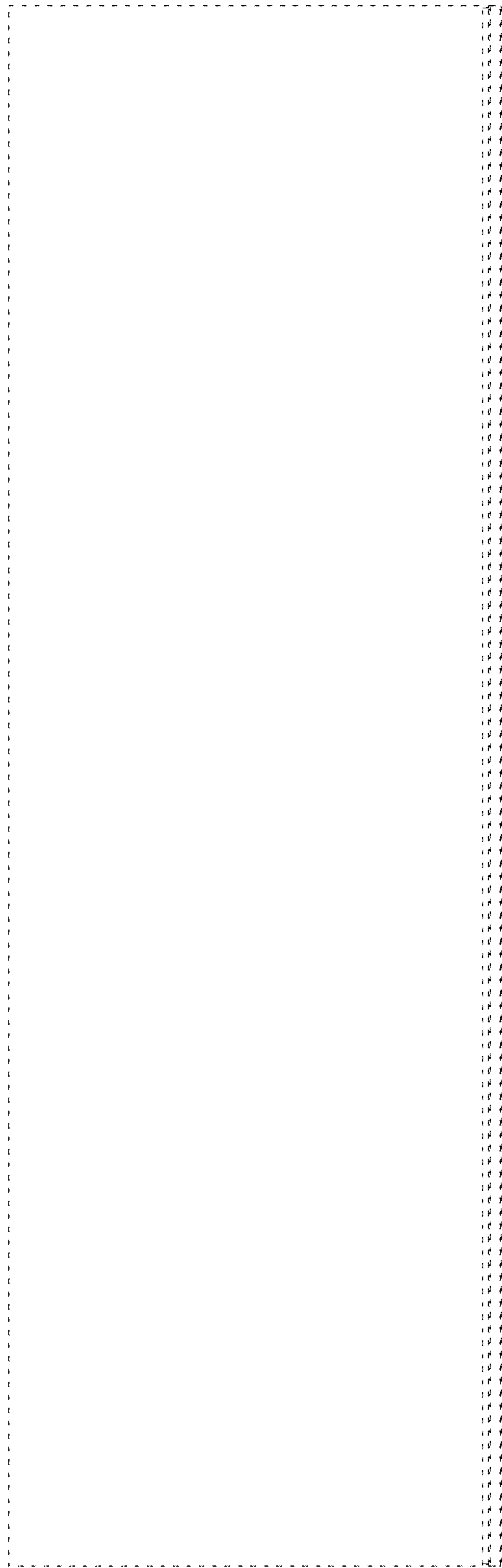


FIG. 11

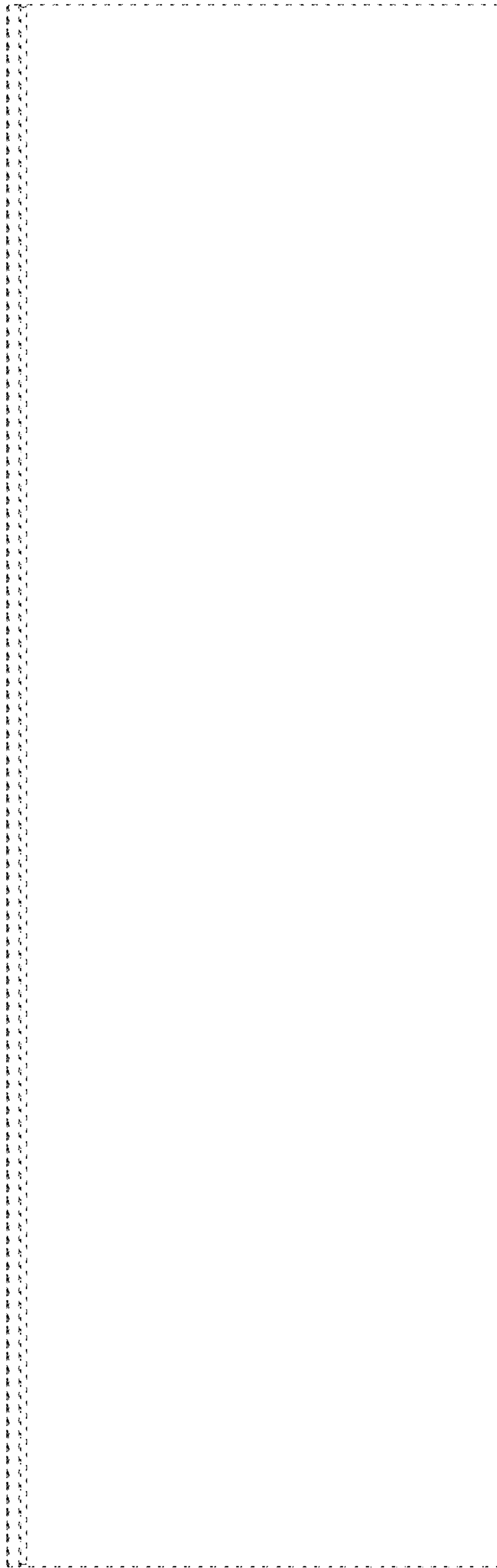


FIG. 12

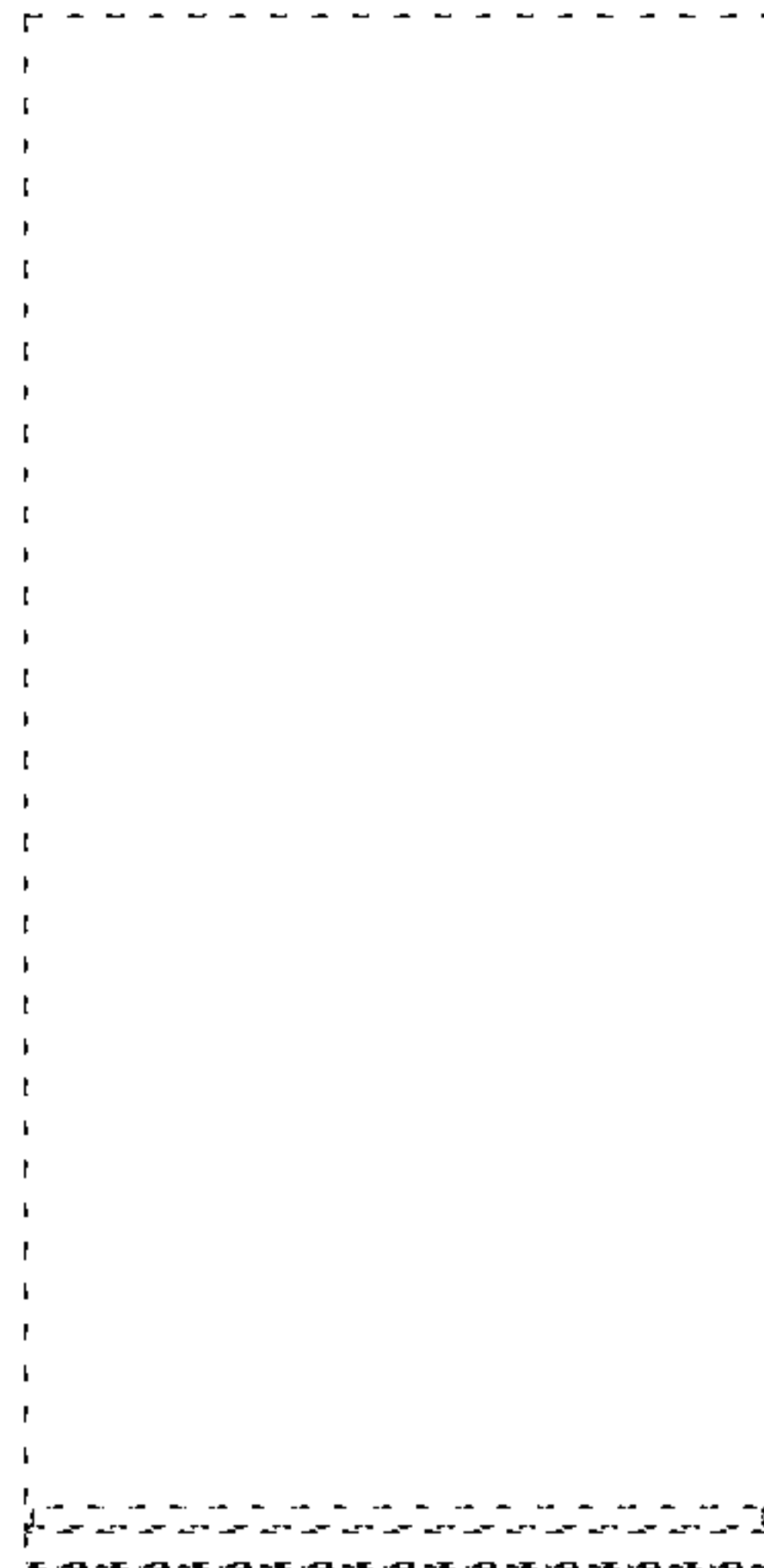


FIG. 13

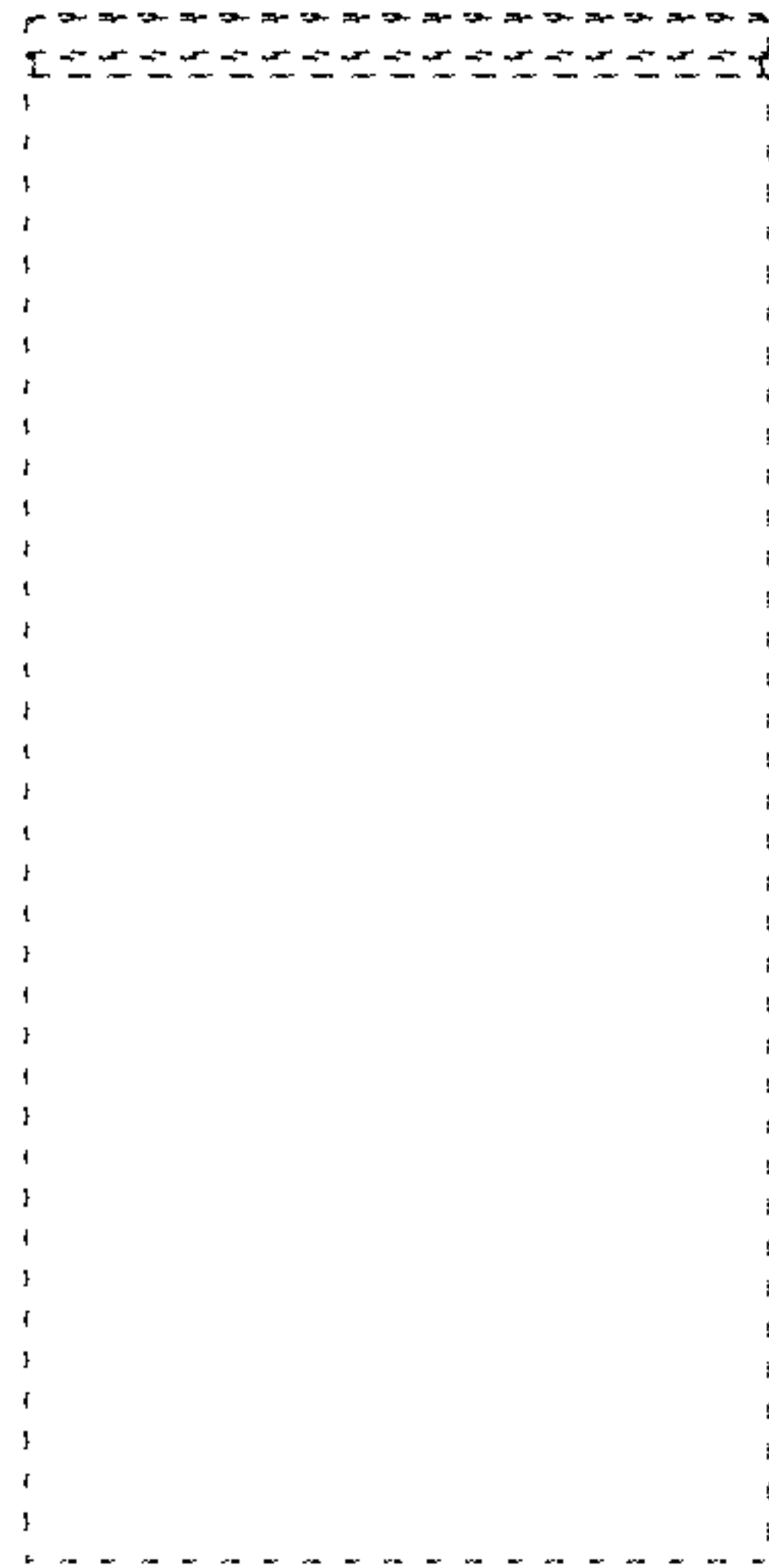


FIG. 14



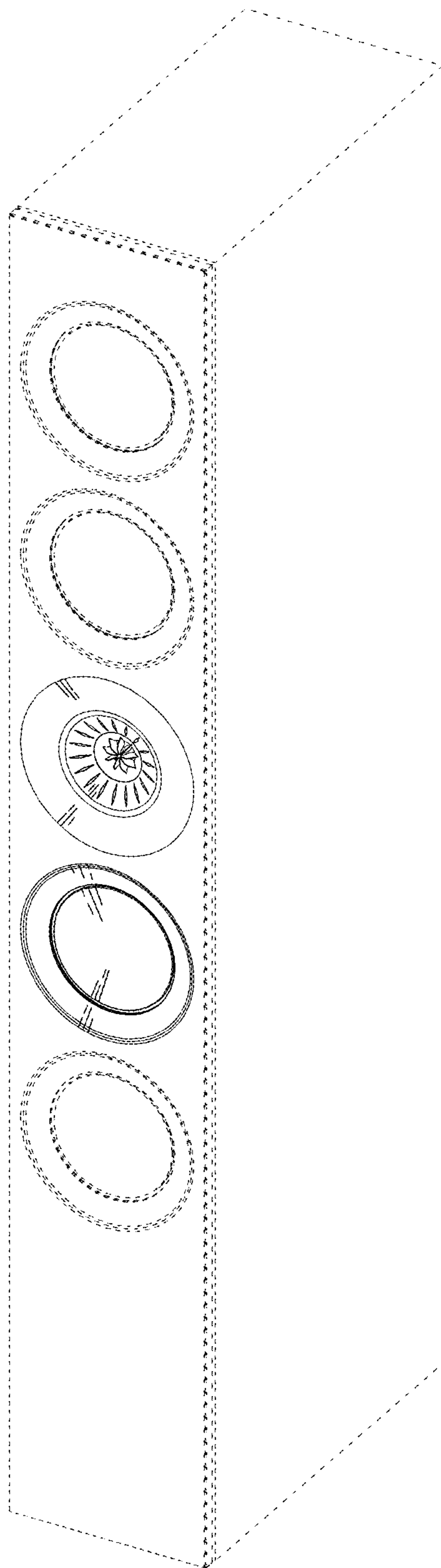


FIG. 15

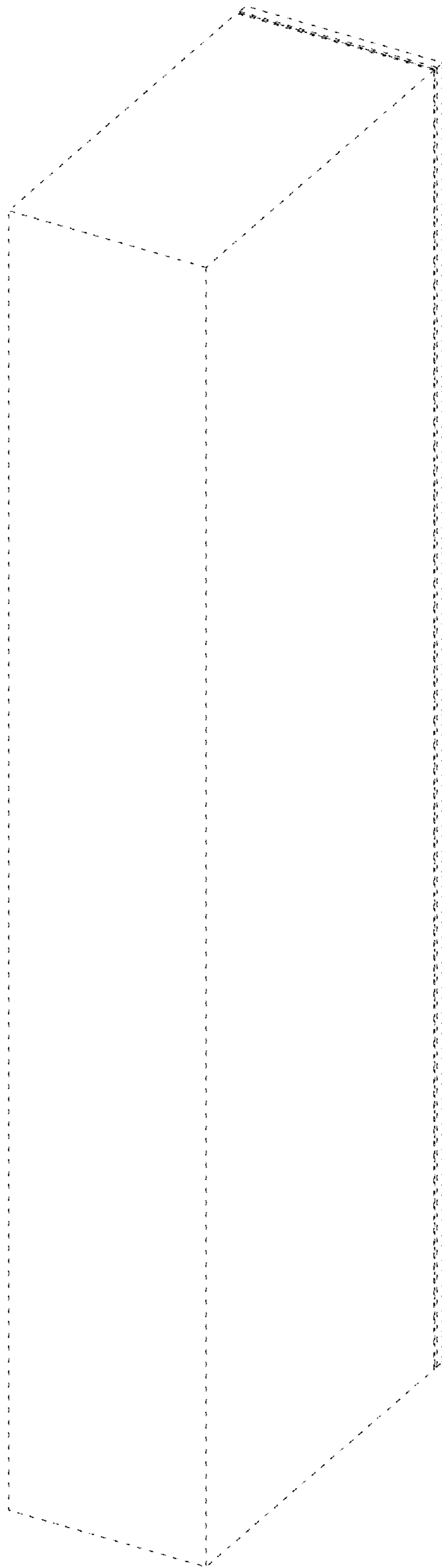


FIG. 16