



US00D770399S

(12) **United States Design Patent**
Yeh et al.

(10) **Patent No.:** **US D770,399 S**
(45) **Date of Patent:** **** Nov. 1, 2016**

(54) **LIGHT-EMITTING DIODE ARRAY**

(71) Applicant: **EPISTAR CORPORATION**, Hsinchu (TW)

(72) Inventors: **Hui-Chun Yeh**, Hsinchu (TW);
Chien-Fu Shen, Hsinchu (TW);
Tsun-Kai Ko, Hsinchu (TW)

(73) Assignee: **EPISTAR CORPORATION**, Hsinchu (TW)

(**) Term: **15 Years**

(21) Appl. No.: **29/529,615**

(22) Filed: **Jun. 9, 2015**

(30) **Foreign Application Priority Data**

Dec. 19, 2014 (TW) 103307516

(51) **LOC (10) Cl.** **13-03**

(52) **U.S. Cl.**
USPC **D13/180**

(58) **Field of Classification Search**
USPC D13/180; D26/1
CPC . H01L 25/167; H01L 25/0753; H01L 27/15;
H01L 27/156; H01L 31/02; H01L 33/00;
H01L 33/04; H01L 33/08; H01L 33/10;
H01L 33/20; H01L 33/38; H01L 33/42;
H01L 33/48; H01L 33/62; H01L 33/483;
H01L 33/486; F21K 9/00; F21K 9/30;
F21K 9/54

See application file for complete search history.

(56) **References Cited**

U.S. PATENT DOCUMENTS

7,015,512 B2 * 3/2006 Park H01L 27/156
257/773
D644,188 S * 8/2011 Shen D13/180
8,188,493 B2 * 5/2012 Li H01L 33/38
257/91
D681,566 S * 5/2013 Chen D13/180
D687,396 S * 8/2013 Chen D13/180

8,680,559 B2 * 3/2014 Kim H01L 33/38
257/98
D719,112 S * 12/2014 Yeh D13/180
D733,079 S * 6/2015 Chen D13/180
D744,966 S * 12/2015 Yeh D13/180
2011/0089442 A1 * 4/2011 Jing H01L 25/0753
257/91
2011/0284883 A1 * 11/2011 Suda H01L 27/153
257/88
2015/0146426 A1 * 5/2015 Yeh H01L 27/156
362/249.06
2016/0005926 A1 * 1/2016 Chen H01L 33/38
257/98
2016/0133615 A1 * 5/2016 Park H01L 25/16
257/98

* cited by examiner

Primary Examiner — Selina Sikder

(74) *Attorney, Agent, or Firm* — Muncy, Geissler, Olds & Lowe, P.C.

(57) **CLAIM**

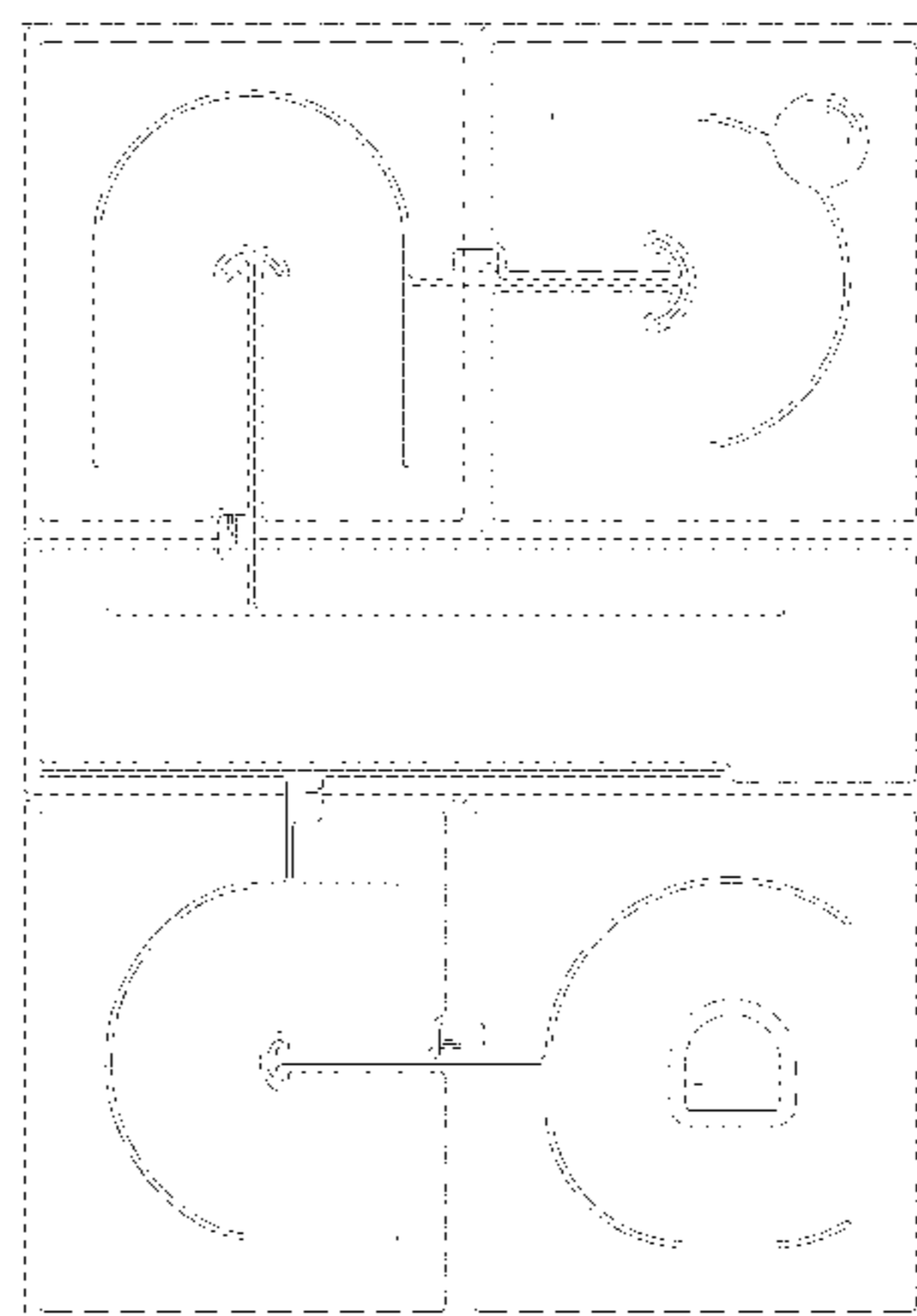
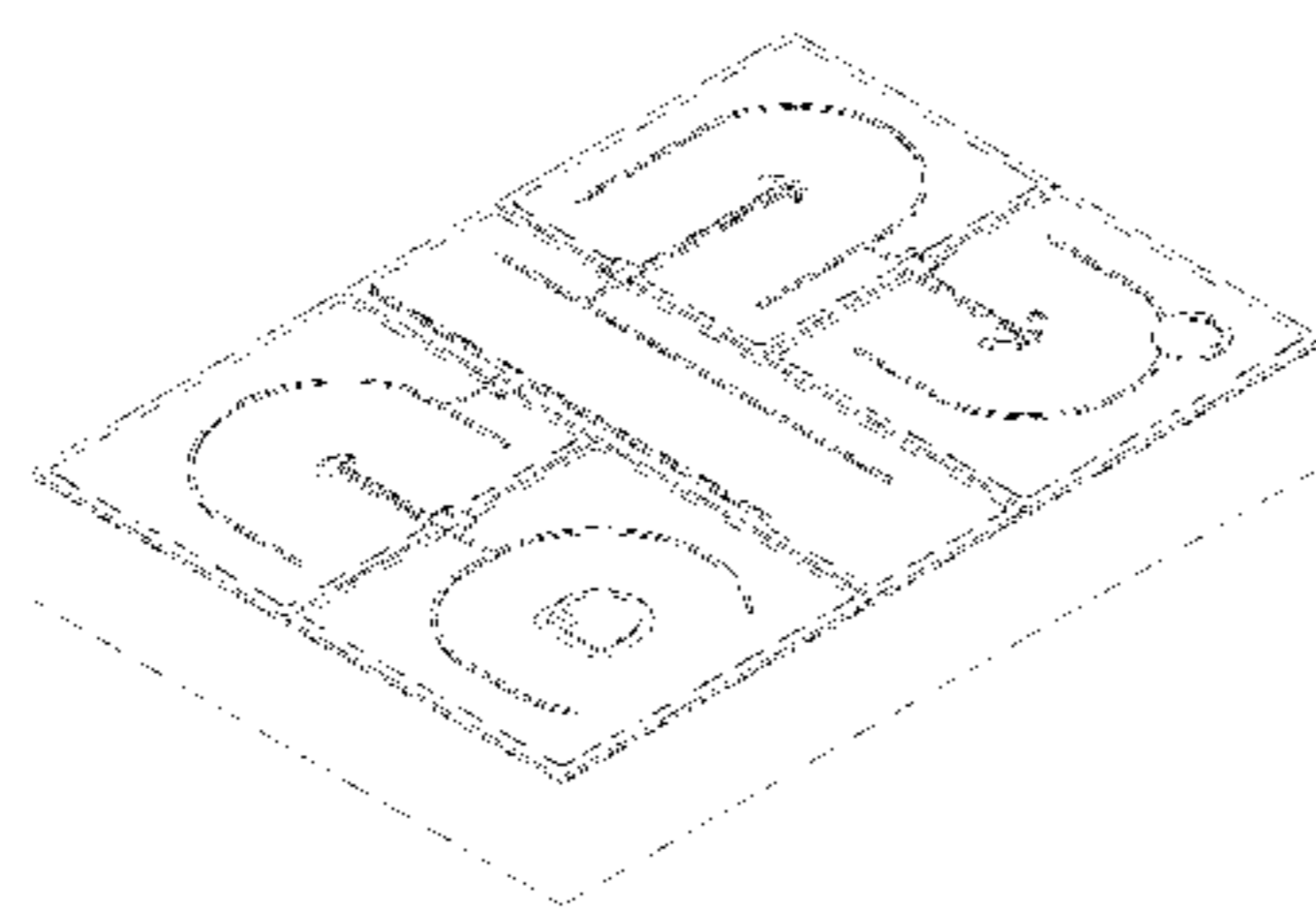
The ornamental design for a light-emitting diode array, as shown and described.

DESCRIPTION

FIG. 1 is a perspective view of a light-emitting diode array showing our first example of the new design;
FIG. 2 is another perspective view thereof;
FIG. 3 is a front elevational view thereof;
FIG. 4 is a rear elevational view thereof;
FIG. 5 is a left side view thereof;
FIG. 6 is a right side view thereof;
FIG. 7 is a top plan view thereof;
FIG. 8 is a bottom plan view thereof;
FIG. 9 is a perspective view of a light-emitting diode array showing our second example of the new design;
FIG. 10 is another perspective view thereof;
FIG. 11 is a front elevational view thereof;
FIG. 12 is a rear elevational view thereof;
FIG. 13 is a left side view thereof;
FIG. 14 is a right side view thereof;
FIG. 15 is a top plan view thereof; and,
FIG. 16 is a bottom plan view thereof.

The broken line showing is for the purpose of illustrating environmental structure only and forms no part of the claimed design.

1 Claim, 12 Drawing Sheets



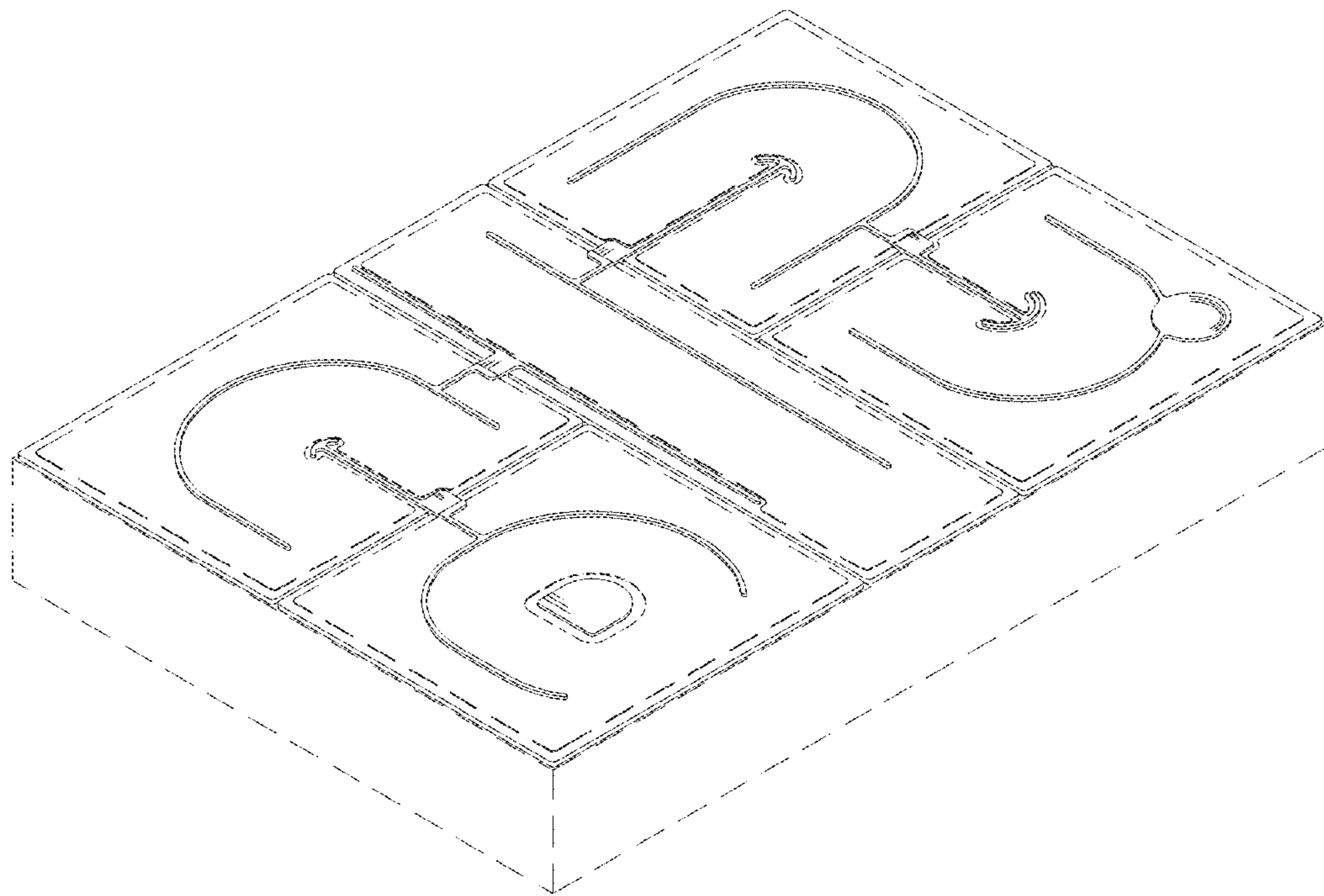


FIG. 1

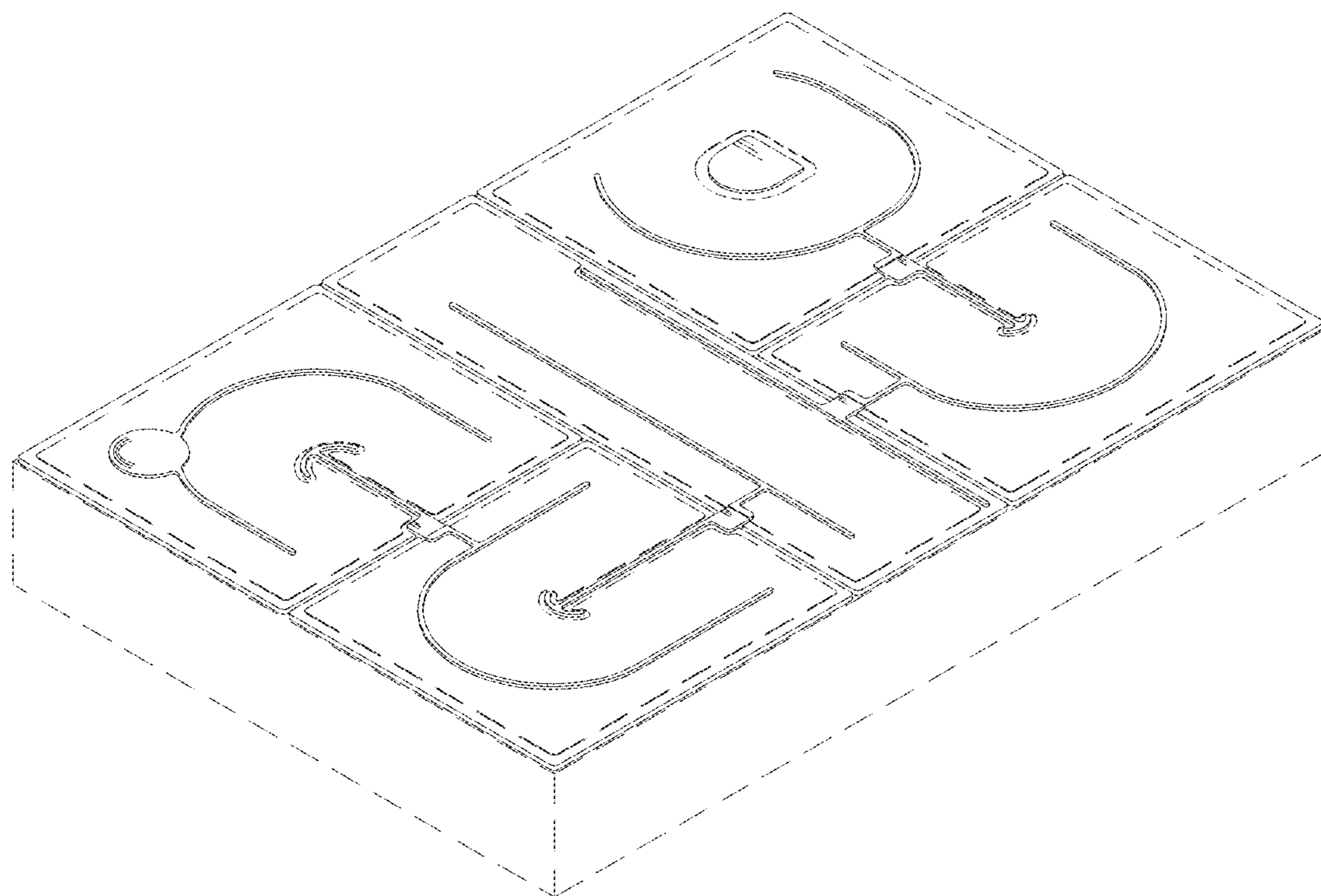


FIG. 2

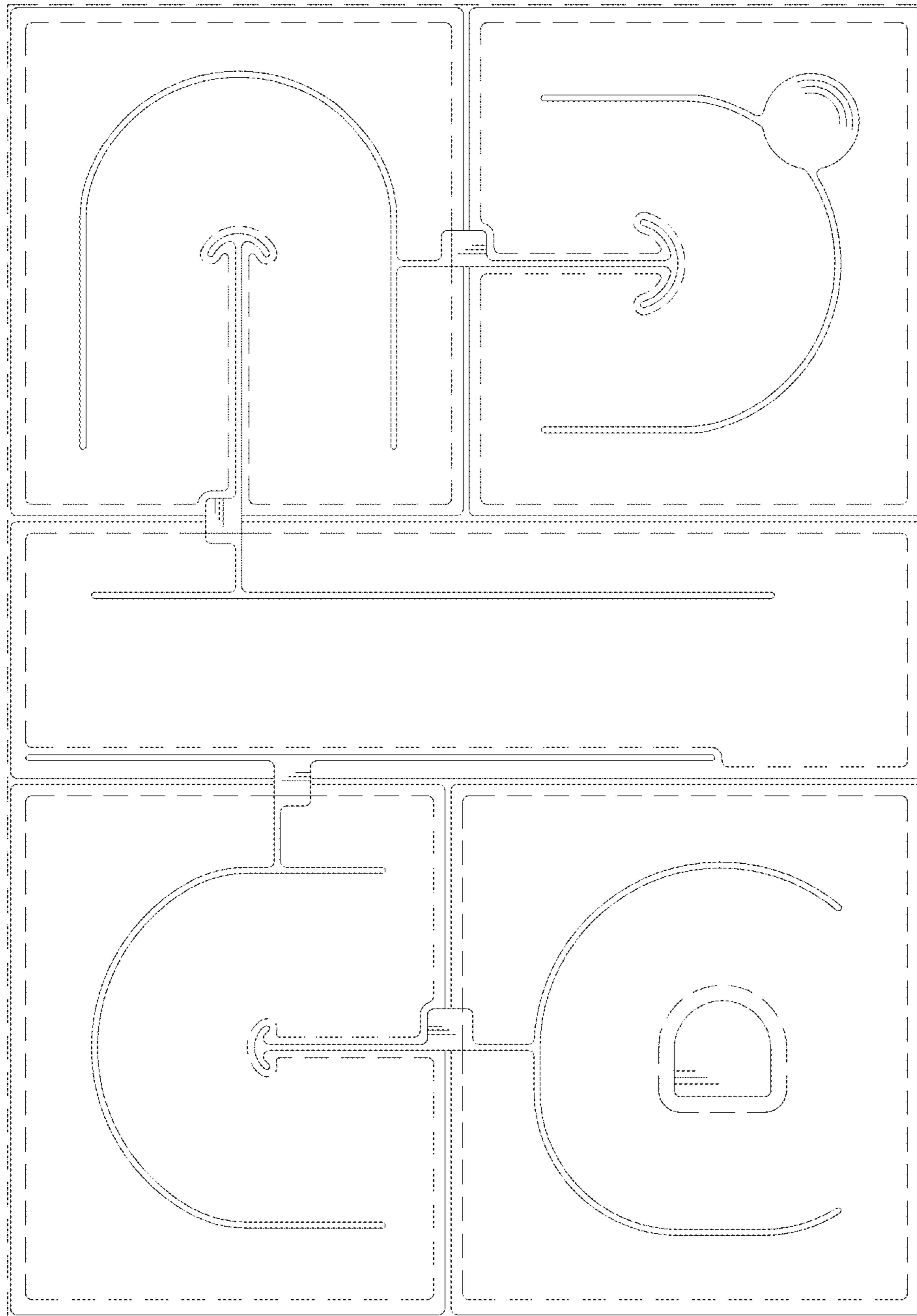


FIG. 3

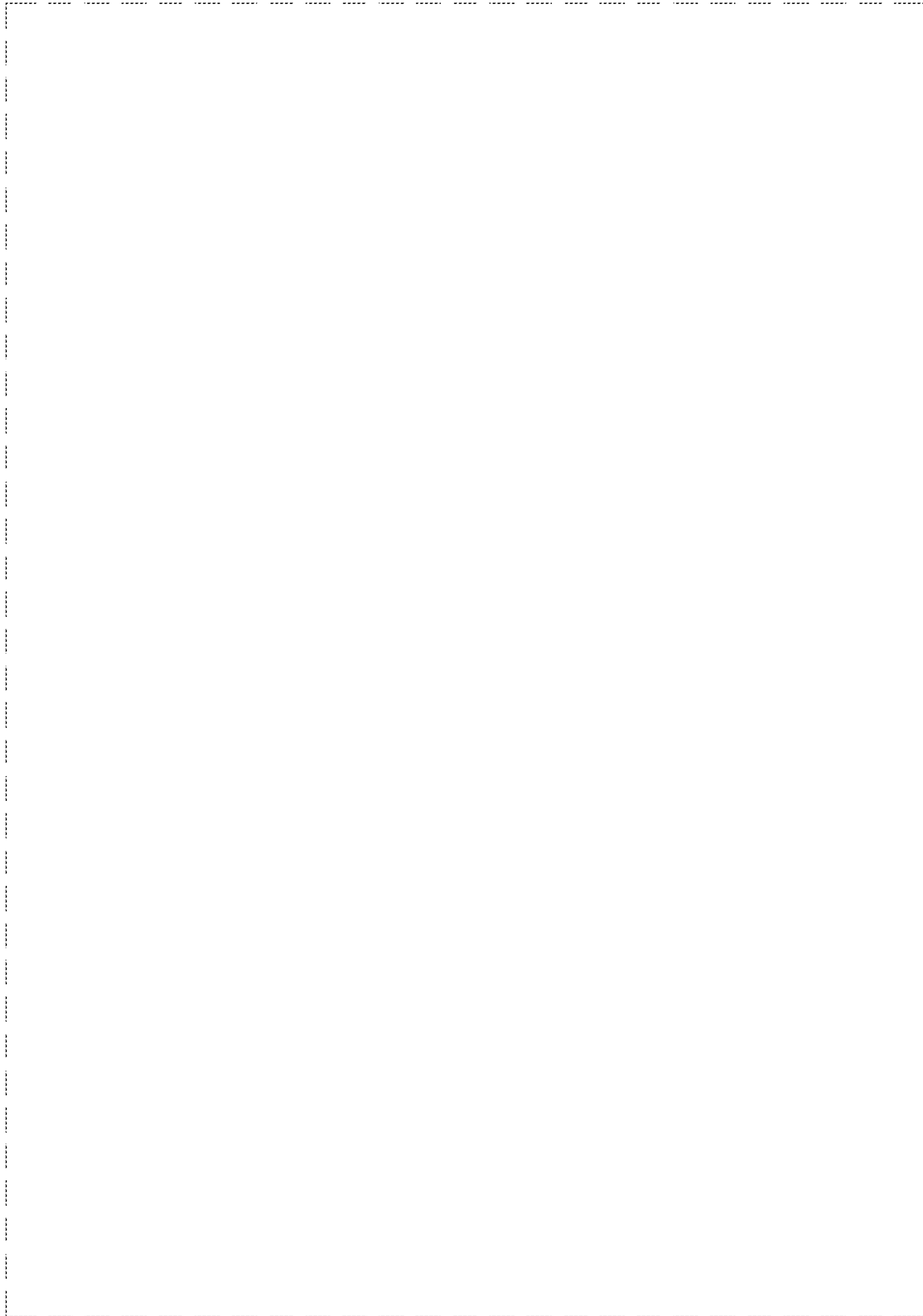


FIG. 4



FIG. 5

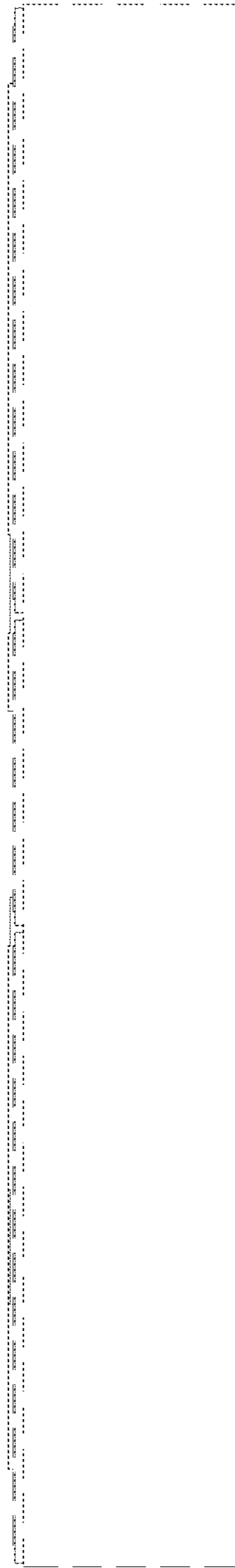


FIG. 6

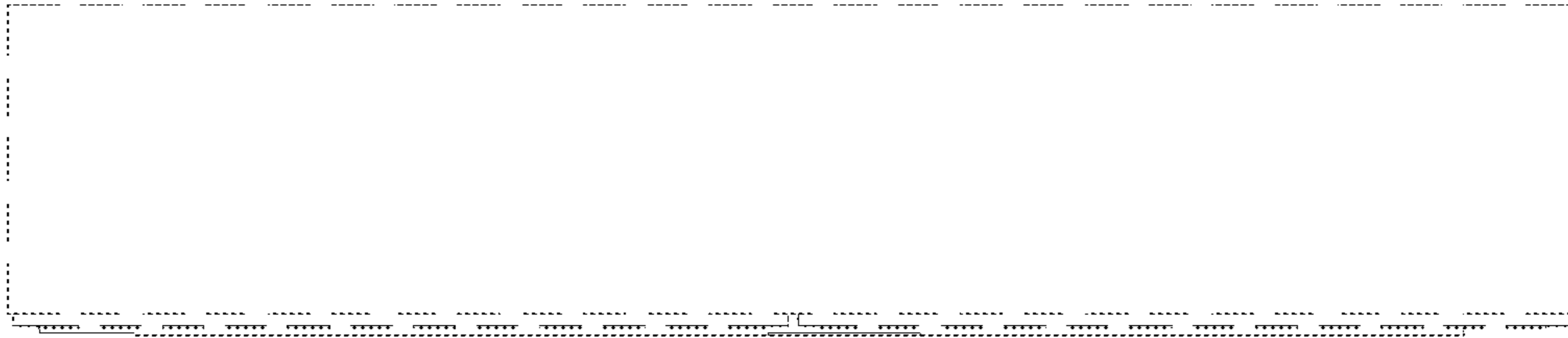


FIG. 7

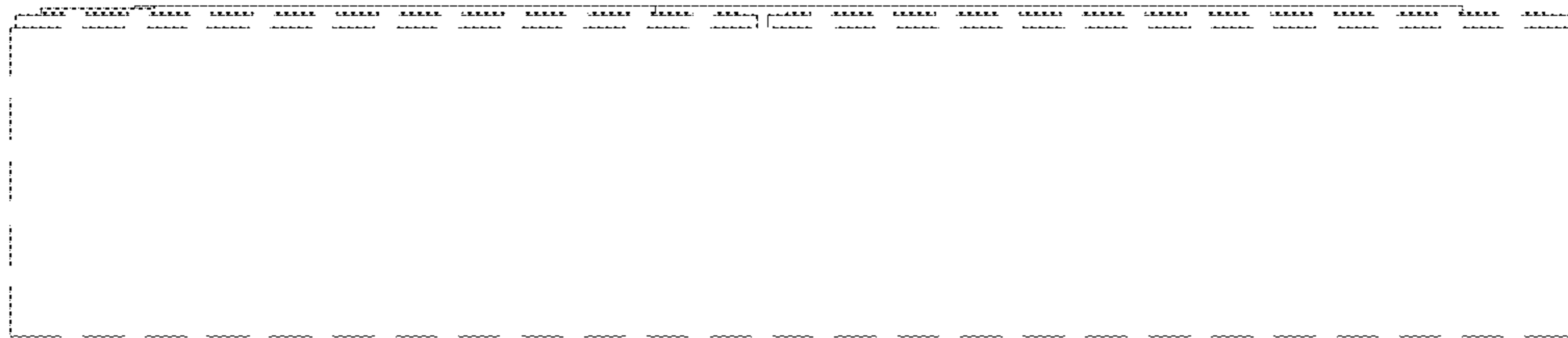


FIG. 8

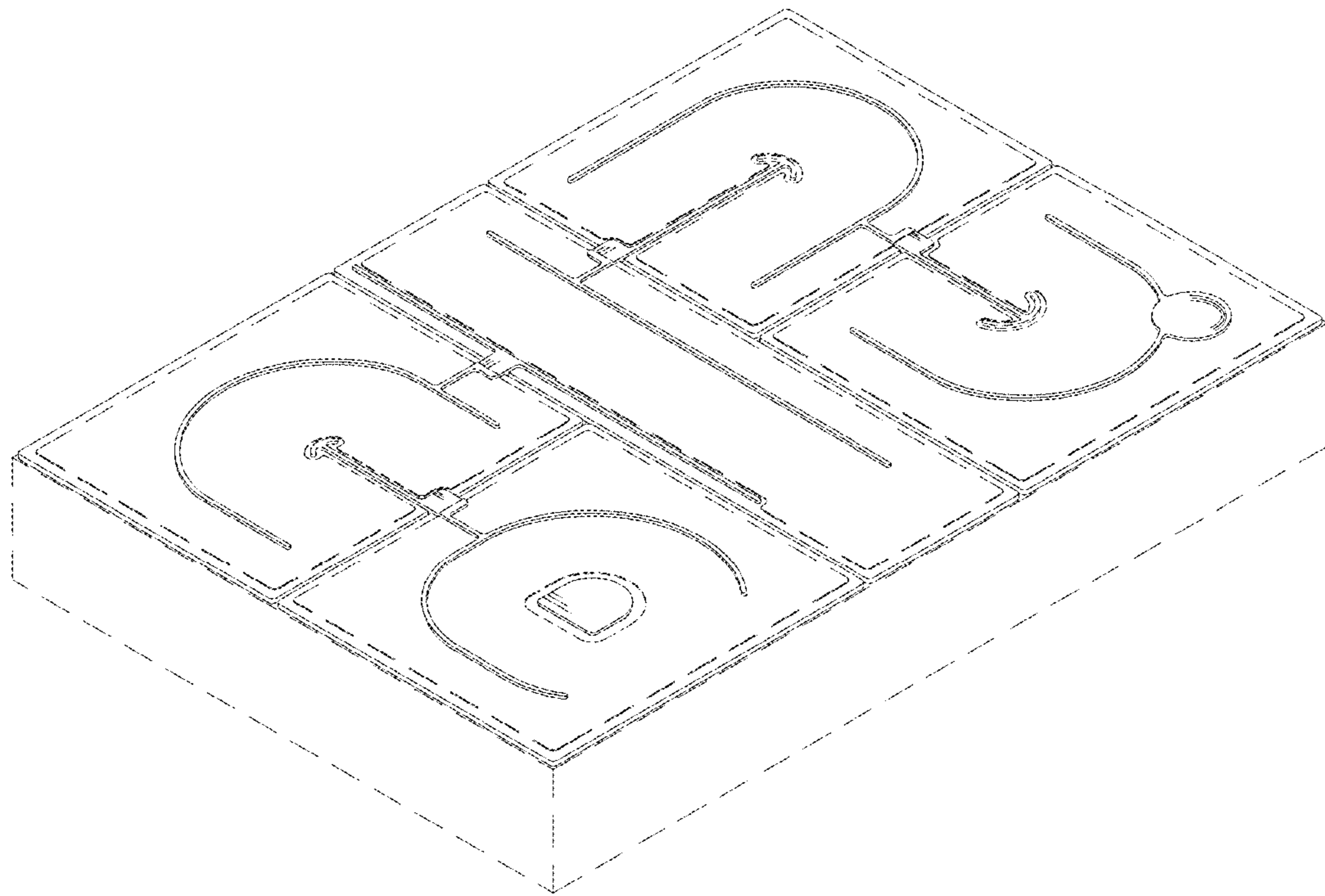


FIG. 9

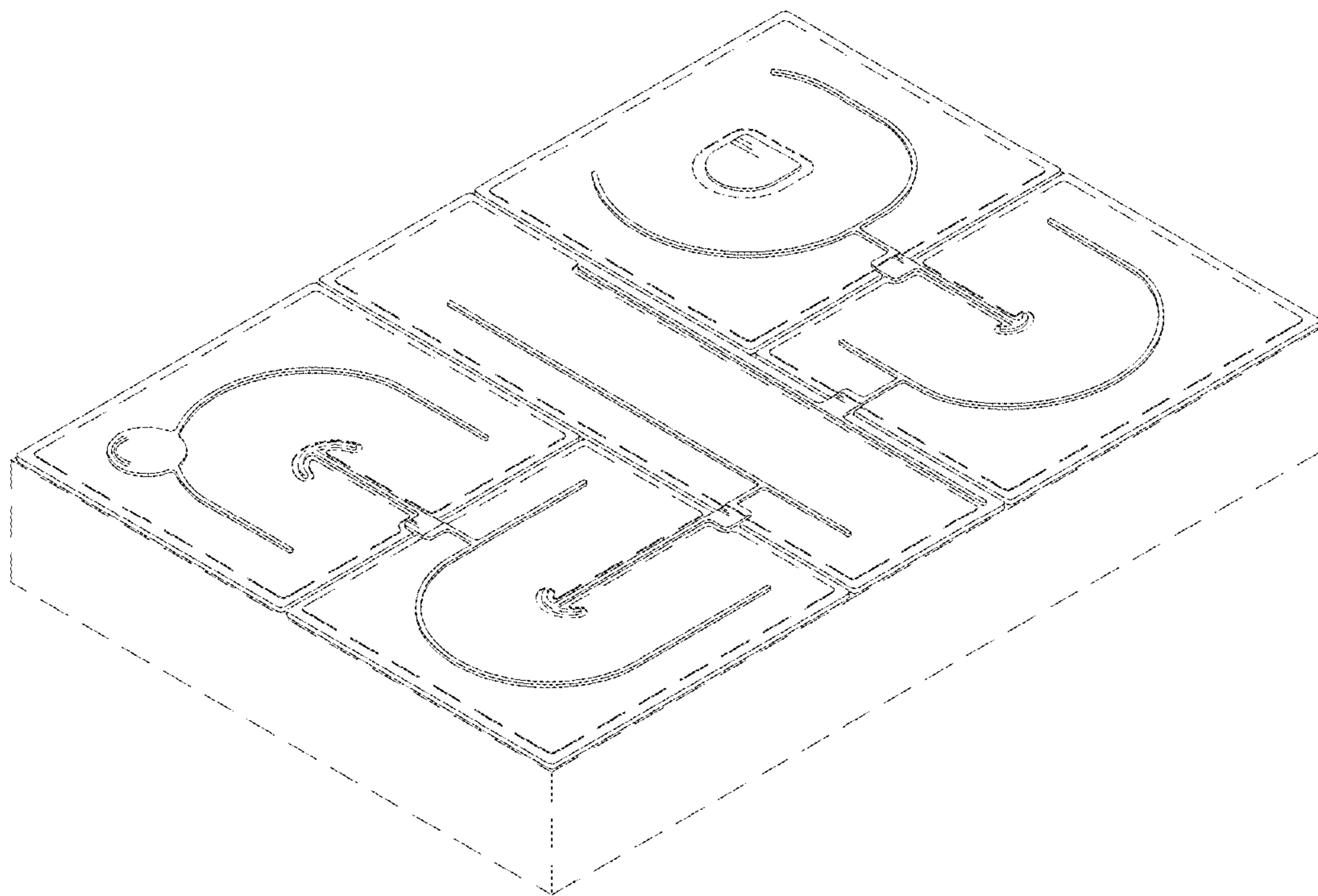


FIG. 10

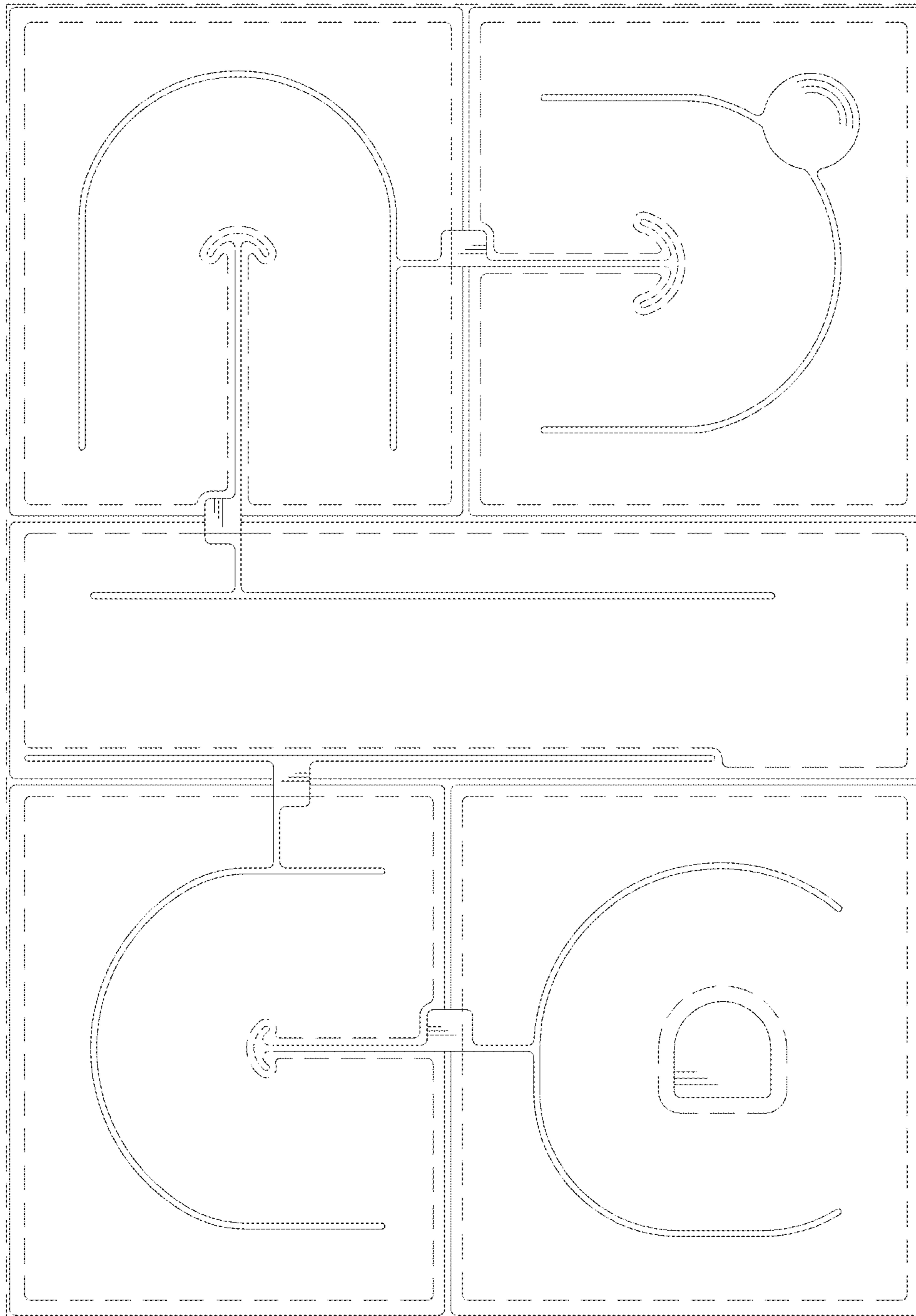


FIG. 11



FIG. 12

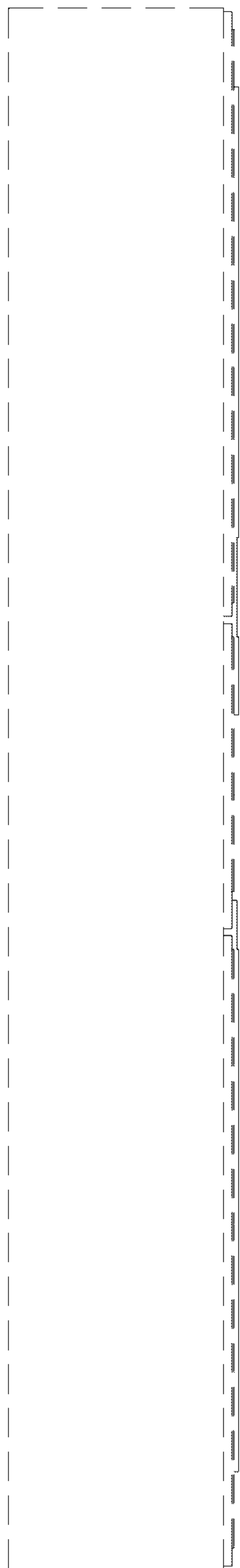


FIG. 13

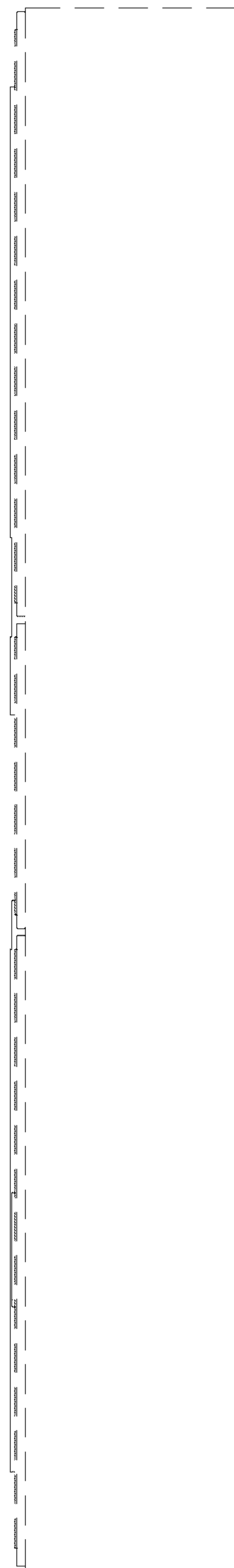


FIG. 14



FIG. 15

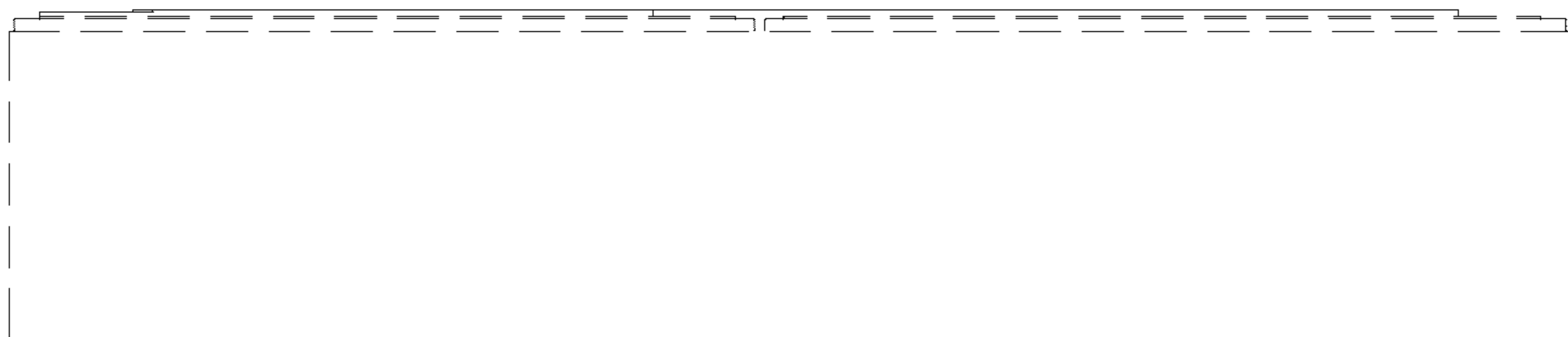


FIG. 16