



US00D770388S

(12) **United States Design Patent**
Tal

(10) **Patent No.:** **US D770,388 S**

(45) **Date of Patent:** **** Nov. 1, 2016**

(54) **LENS AND NEW MT SPRING**

(71) Applicant: **Mellanox Technologies, Ltd.**, Yokneam (IL)

(72) Inventor: **Miki Tal**, Zur Yitzhak (IL)

(73) Assignee: **MELLANOX TECHNOLOGIES, LTD.**, Yokneam (IL)

(**) Term: **14 Years**

(21) Appl. No.: **29/519,274**

(22) Filed: **Mar. 4, 2015**

(51) **LOC (10) Cl.** **13-03**

(52) **U.S. Cl.**
USPC **D13/147**

(58) **Field of Classification Search**
USPC D13/147, 154, 184, 199
CPC H01R 24/00; H01R 24/60; H01R 13/00;
H01R 13/516; H01R 13/64; H01R 13/6474;
H01R 13/6582; H01R 13/6595; H01R
13/6275; H01R 13/6581; H01R 13/6591;
H01R 13/6597

See application file for complete search history.

(56) **References Cited**

U.S. PATENT DOCUMENTS

D590,773 S * 4/2009 Suematsu D13/147
D590,774 S * 4/2009 Suematsu D13/147

D740,756 S * 10/2015 Katagiyama D13/147
D744,955 S * 12/2015 Katagiyama D13/147
D750,566 S * 3/2016 Katagiyama D13/147
2009/0116793 A1* 5/2009 Nishimura G02B 6/3885
385/78
2011/0229086 A1* 9/2011 Bradley G02B 6/3885
385/78

* cited by examiner

Primary Examiner — Daniel Bui

(74) *Attorney, Agent, or Firm* — Mark M. Friedman

(57) **CLAIM**

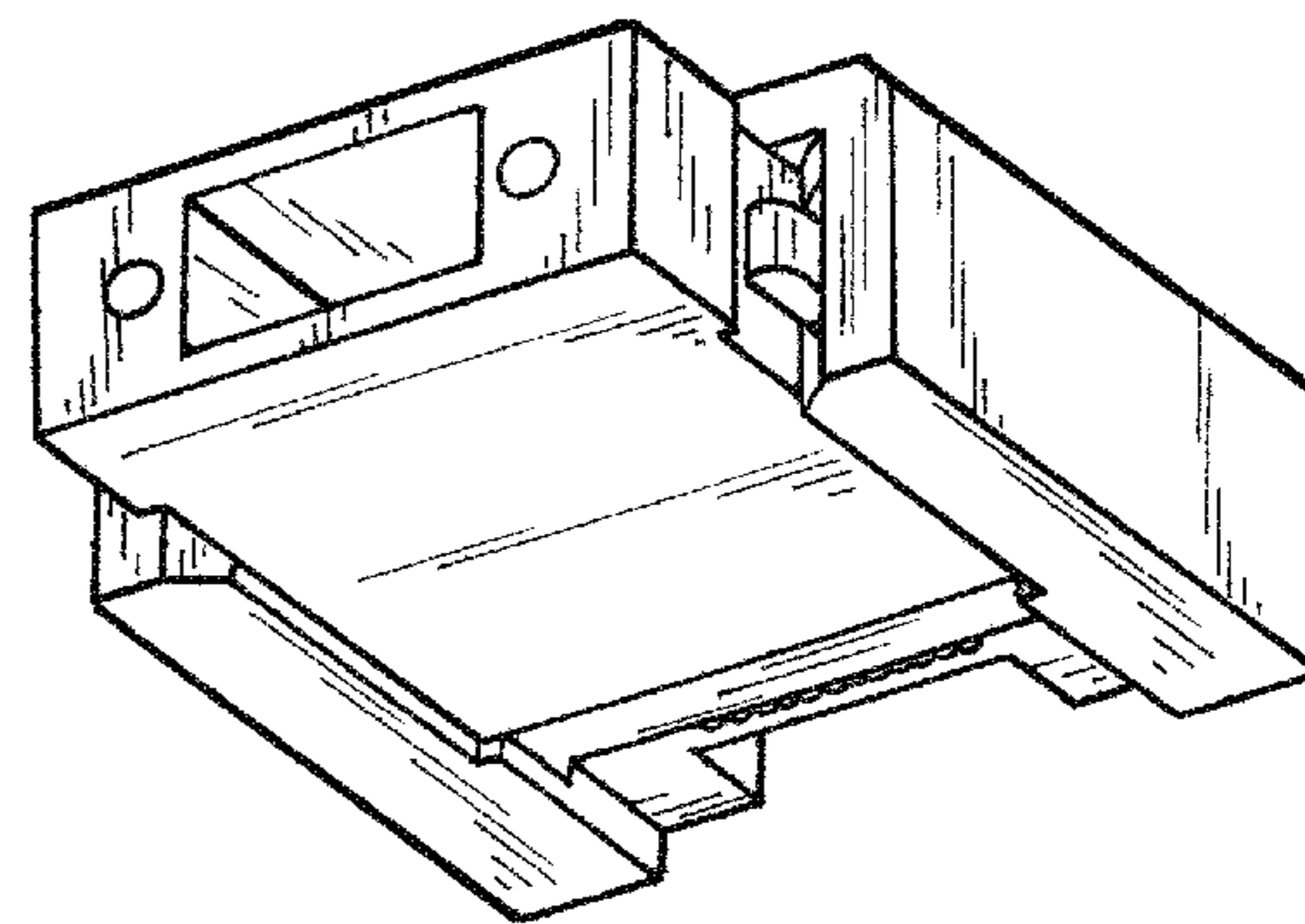
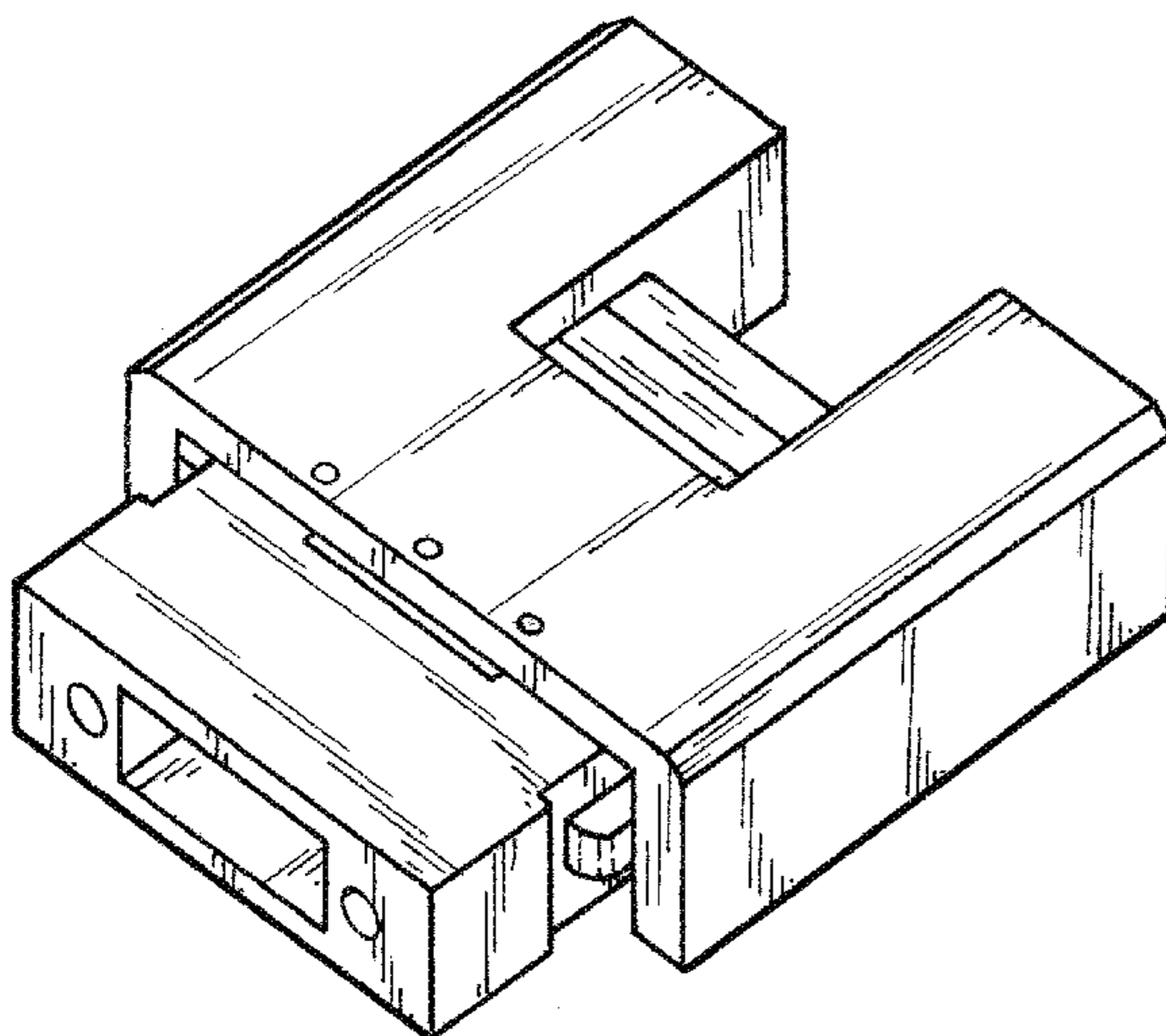
The ornamental design for a lens and new MT spring, as shown and described.

DESCRIPTION

FIG. 1 is a top plan view of a lens and new MT spring showing my new design;
FIG. 2 is a bottom plan view thereof;
FIG. 3 is a front elevation view thereof;
FIG. 4 is a back elevation view thereof;
FIG. 5 is a left side elevation view thereof;
FIG. 6 is a right side elevation view thereof;
FIG. 7 is a front, top and left side perspective view thereof;
and,
FIG. 8 is a front, bottom and left side perspective view thereof.

The broken line shown in the drawing views is included for the purpose of illustrating unclaimed environment and forms no part of the claimed design.

1 Claim, 4 Drawing Sheets



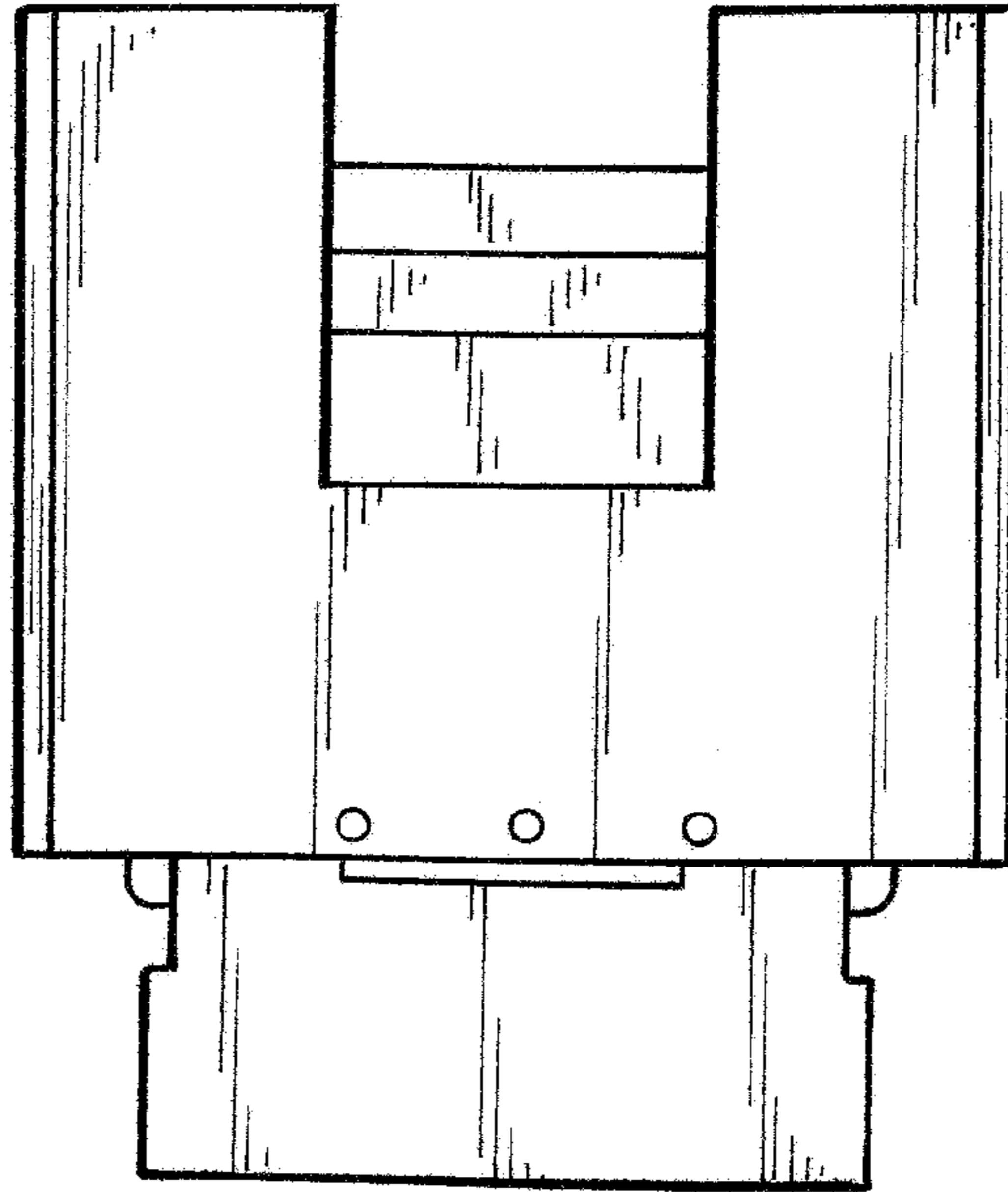


FIG.1

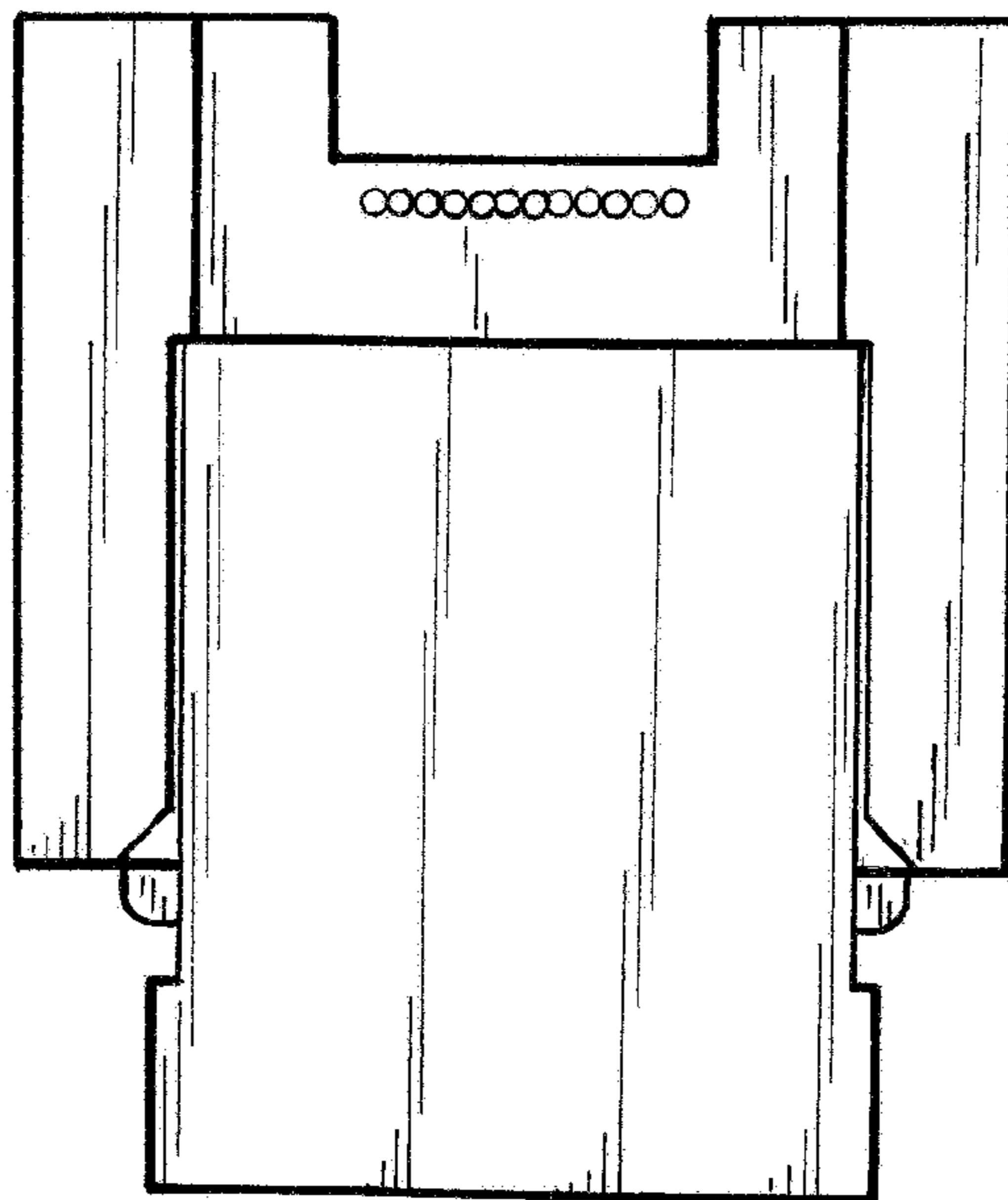


FIG.2

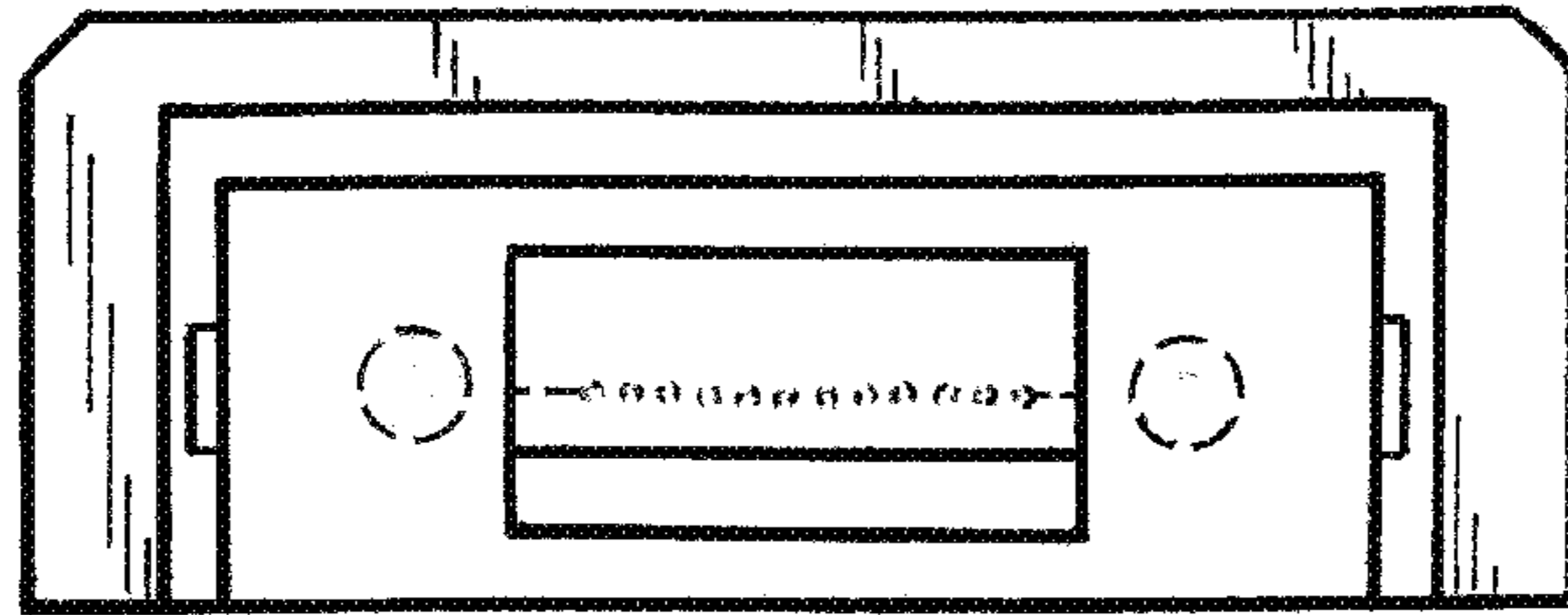


FIG.3

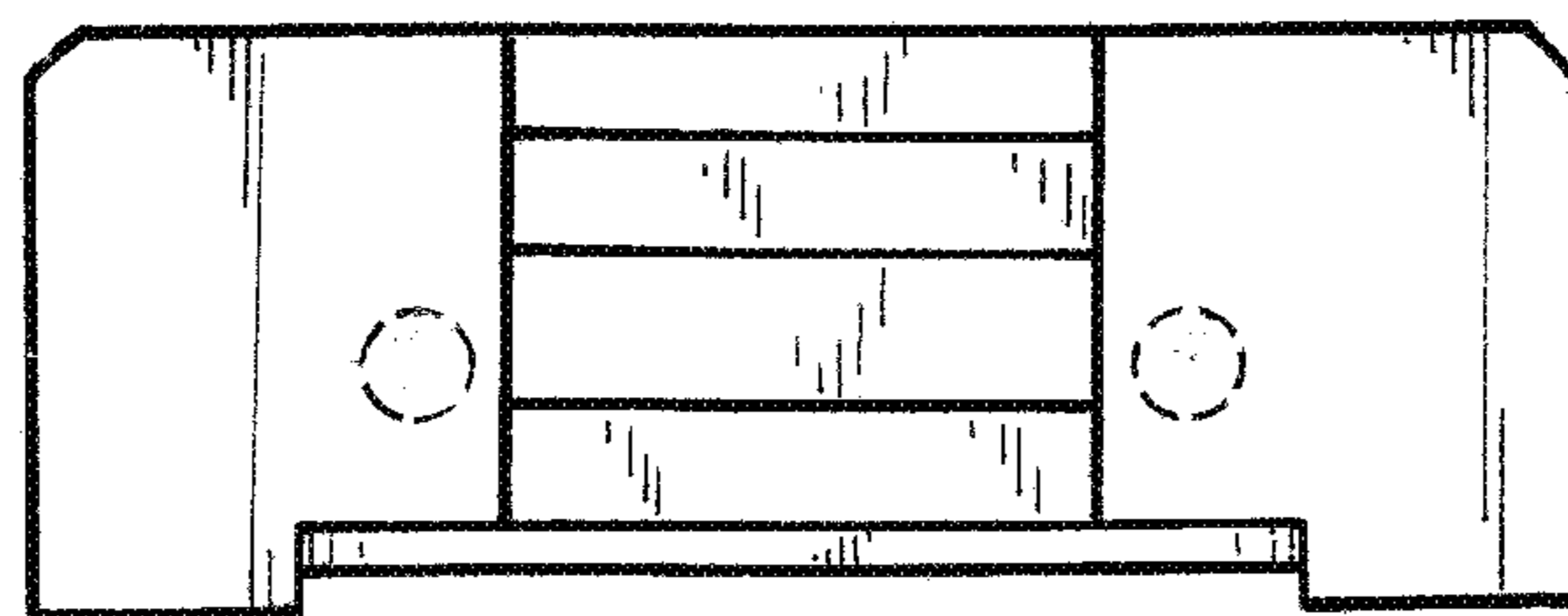


FIG.4

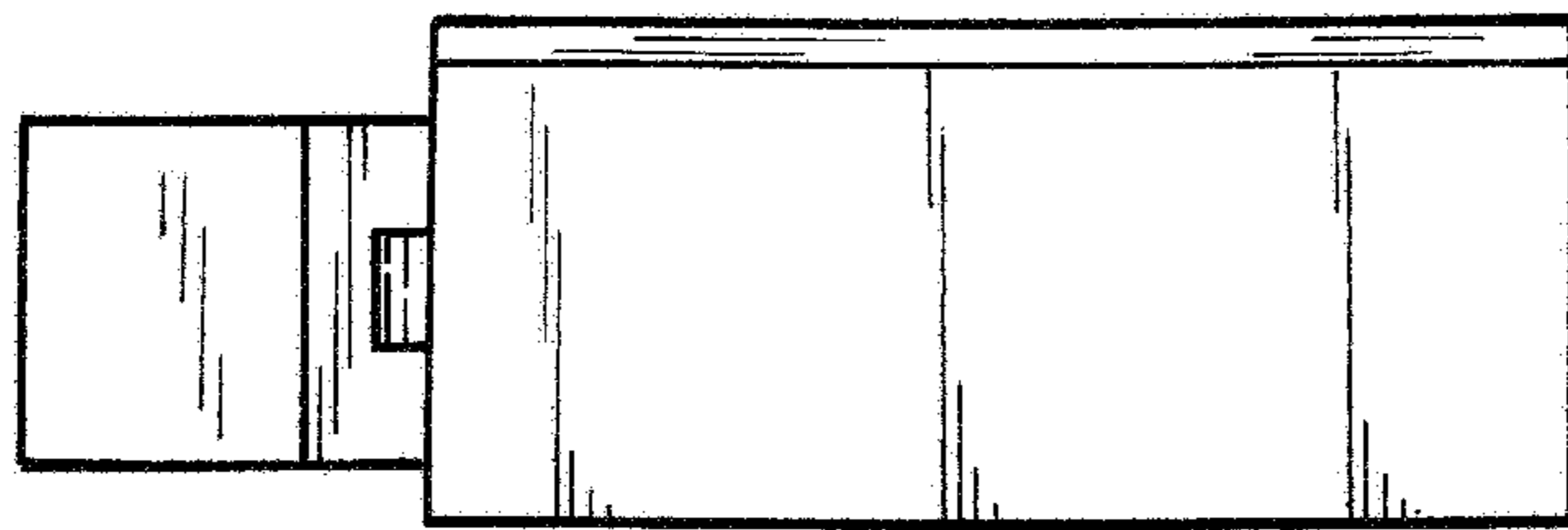


FIG.5

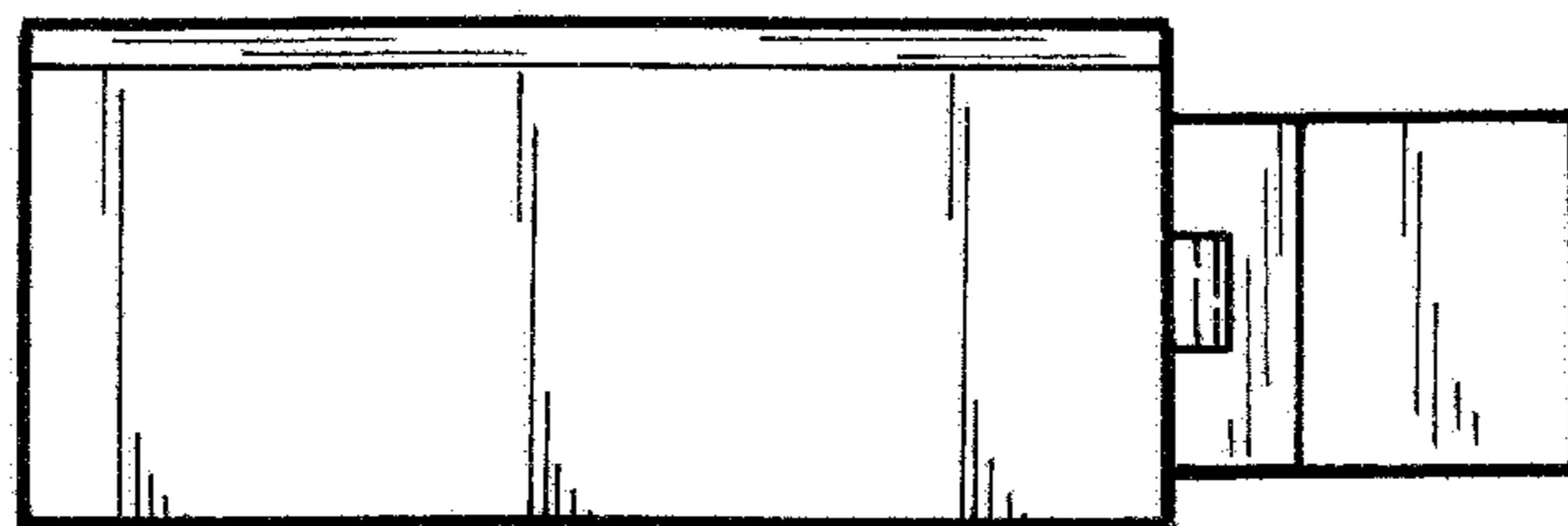


FIG.6

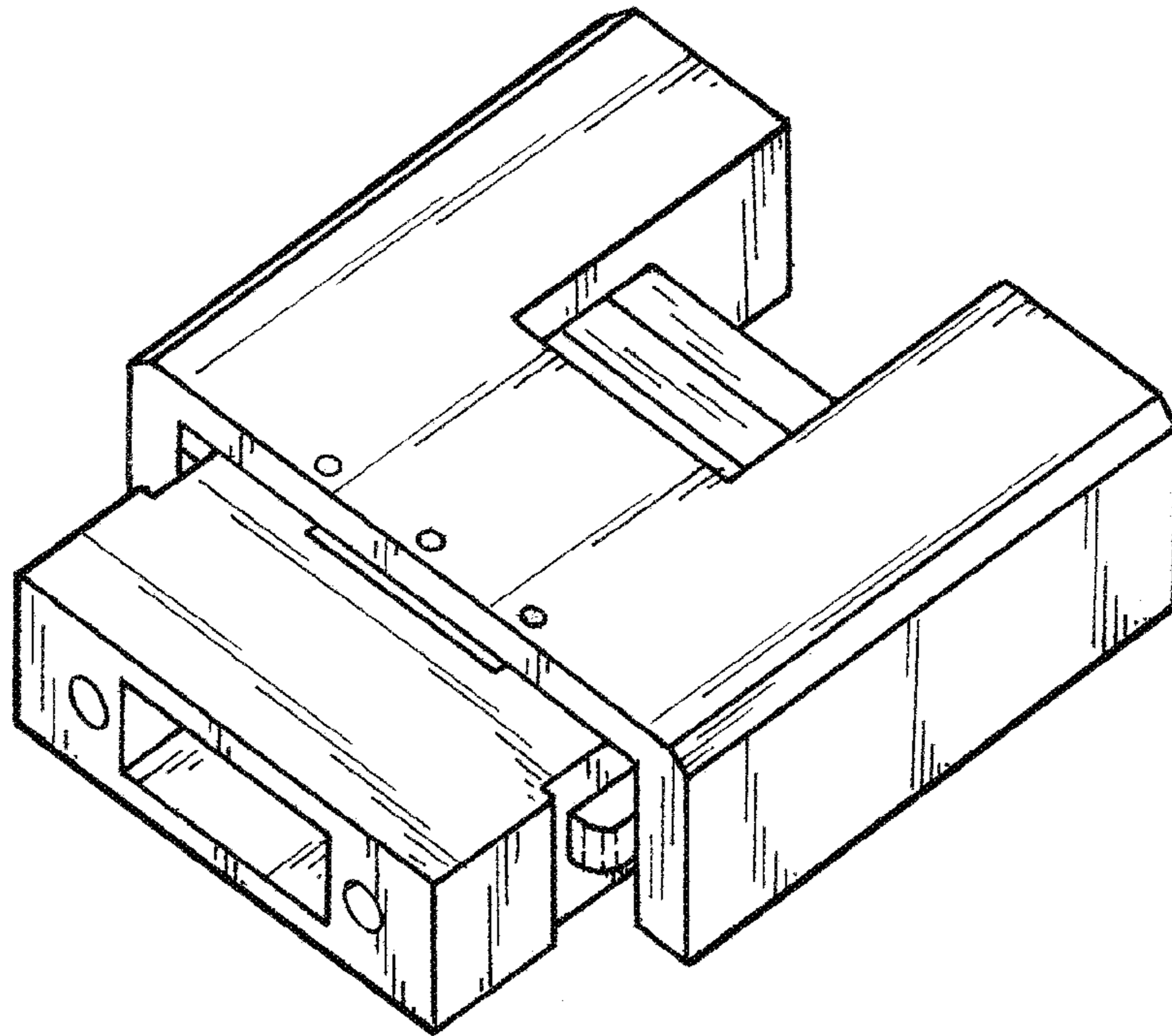


FIG. 7

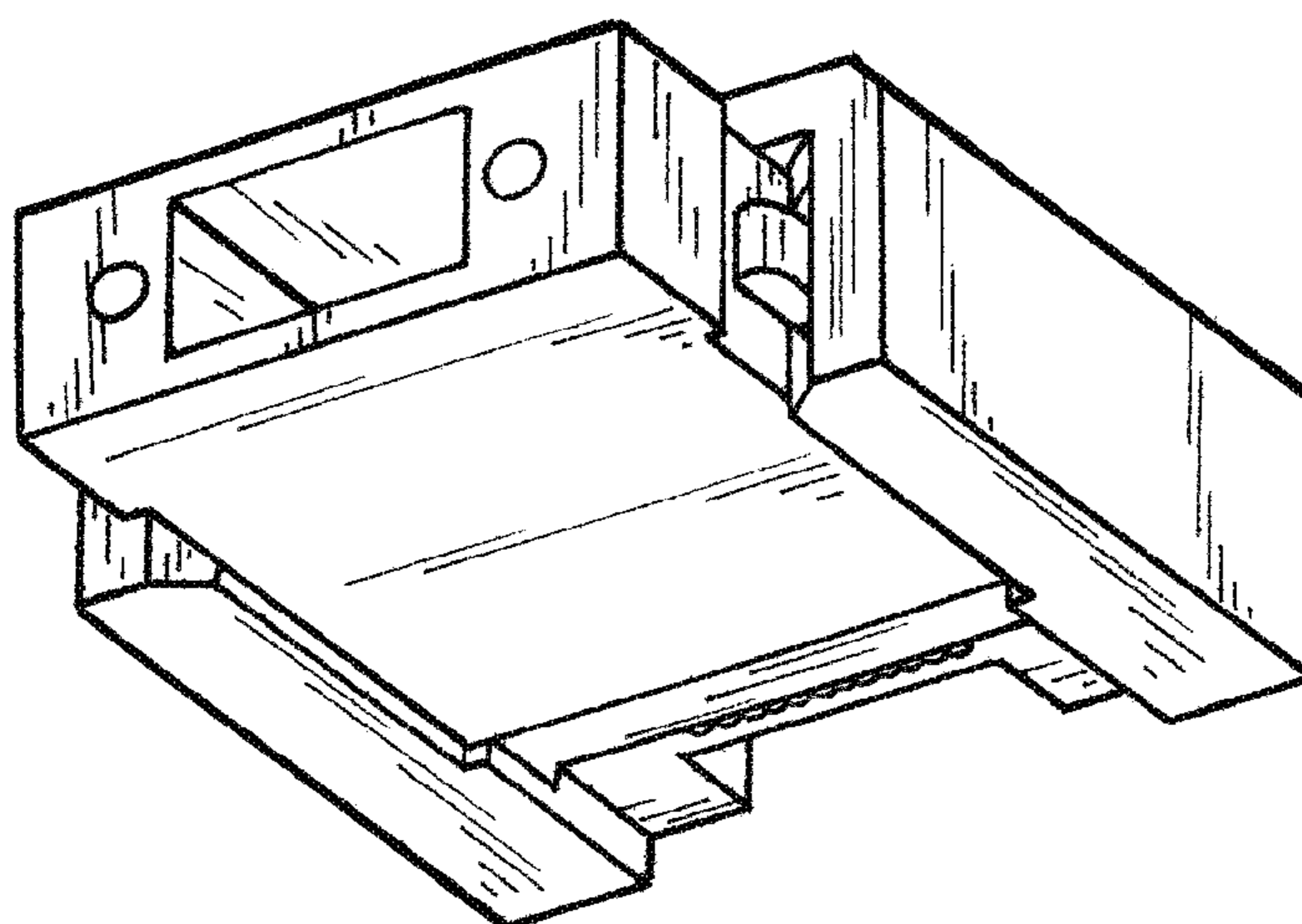


FIG. 8