



US00D770387S

(12) **United States Design Patent** (10) **Patent No.:** **US D770,387 S**
Utermoehle et al. (45) **Date of Patent:** **** Nov. 1, 2016**

(54) **ELECTRICAL CONNECTOR**

(56) **References Cited**

(71) Applicant: **Phoenix Contact GmbH & Co. KG**,
Blomberg (DE)

U.S. PATENT DOCUMENTS

(72) Inventors: **Daniel Utermoehle**, Uslar (DE);
Rainer Gockel, Bad Pyrmont (DE);
Werner Schaeferstoens, Lemgo (DE);
Markus Becker, Paderborn (DE)

D329,434 S *	9/1992	Toyoda	D13/158
D413,129 S *	8/1999	Nagai	D15/199
D550,617 S *	9/2007	Wang	D13/101
D624,572 S *	9/2010	Fukano	D13/158

* cited by examiner

(73) Assignee: **PHOENIX CONTACT GMBH & CO. KG**, Blomberg (DE)

Primary Examiner — Daniel Bui

(74) *Attorney, Agent, or Firm* — Leydig, Voit & Mayer, Ltd.

(**) Term: **14 Years**

(57) **CLAIM**

The ornamental design for an electrical connector, as shown and described.

(21) Appl. No.: **29/502,617**

DESCRIPTION

(22) Filed: **Sep. 18, 2014**

(30) **Foreign Application Priority Data**

Mar. 19, 2014	(EM)	002427583-0001
Mar. 19, 2014	(EM)	002427583-0002

(51) **LOC (10) Cl.** **13-03**

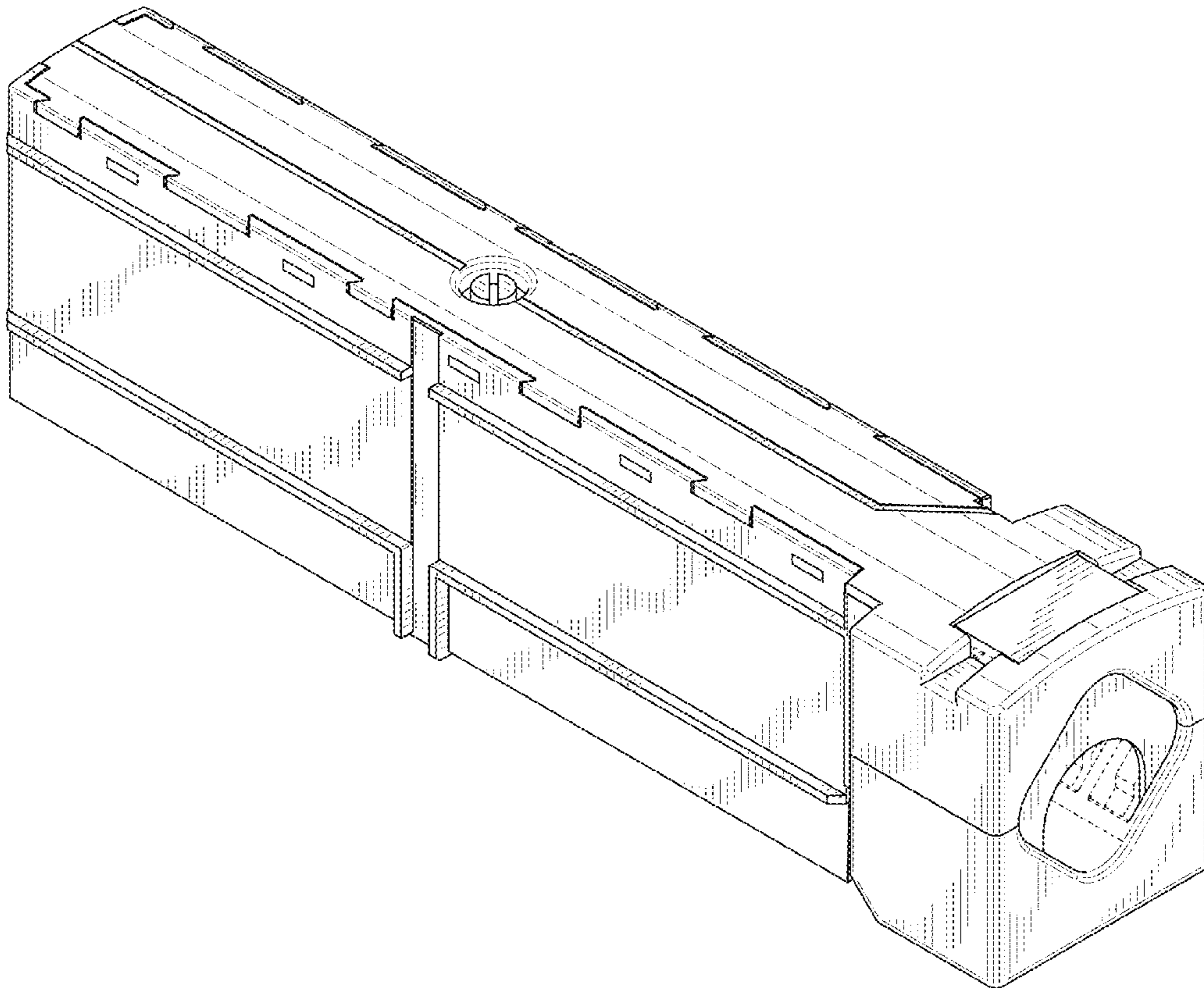
(52) **U.S. Cl.**
USPC **D13/147**

(58) **Field of Classification Search**
USPC D13/110, 123, 133, 147, 154, 158, 159,
D13/160, 161, 184, 199
See application file for complete search history.

FIG. 1 is a top left front perspective view of the electrical connector showing my new design;
FIG. 2 is a bottom plan view thereof;
FIG. 3 is a front elevational view thereof;
FIG. 4 is a back elevational view thereof;
FIG. 5 is a left side elevational view thereof;
FIG. 6 is a right side elevational view thereof; and,
FIG. 7 is a top plan view thereof.

The broken line in the drawing views represents unclaimed environment only, and forms no part of the claimed design.

1 Claim, 6 Drawing Sheets



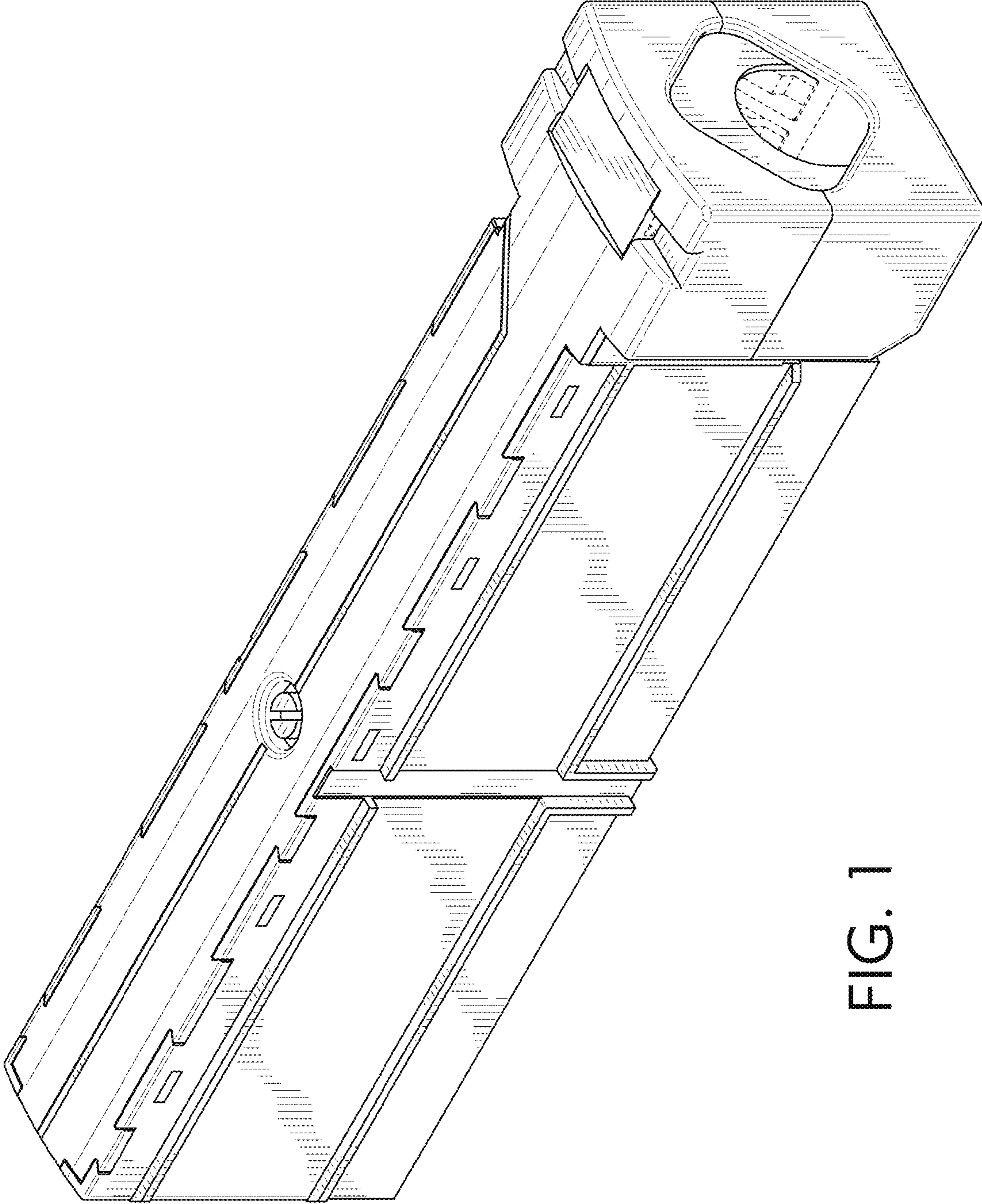


FIG. 1

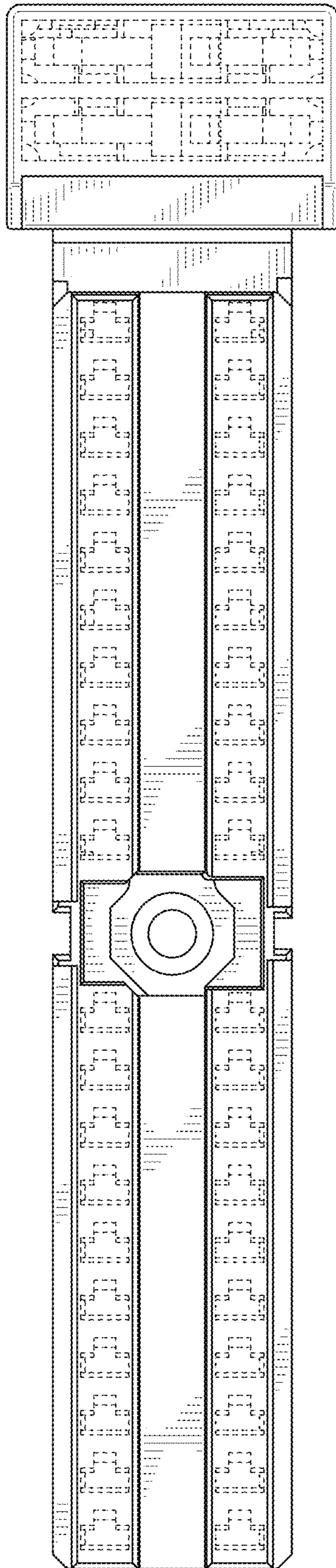


FIG. 2

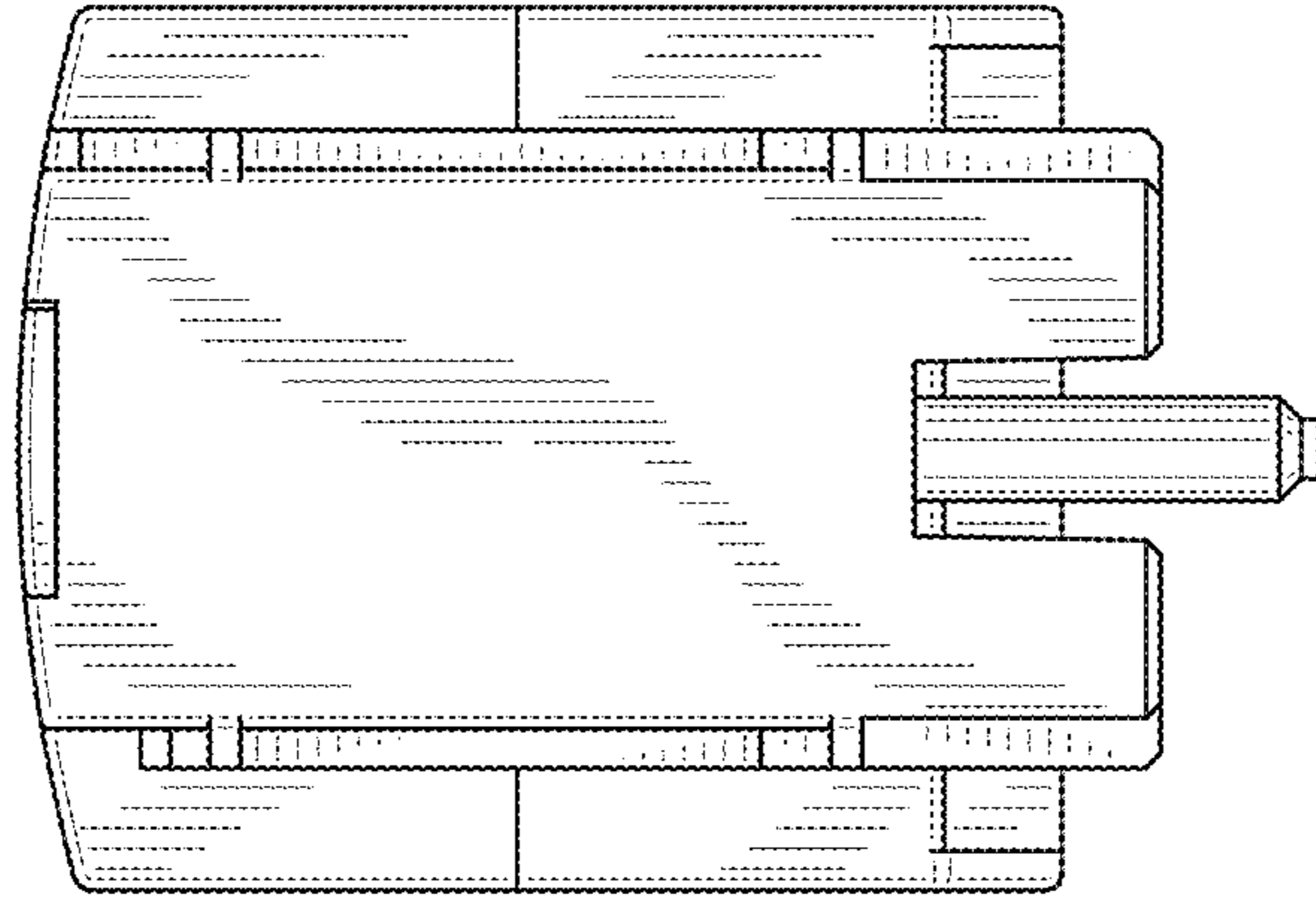


FIG. 4

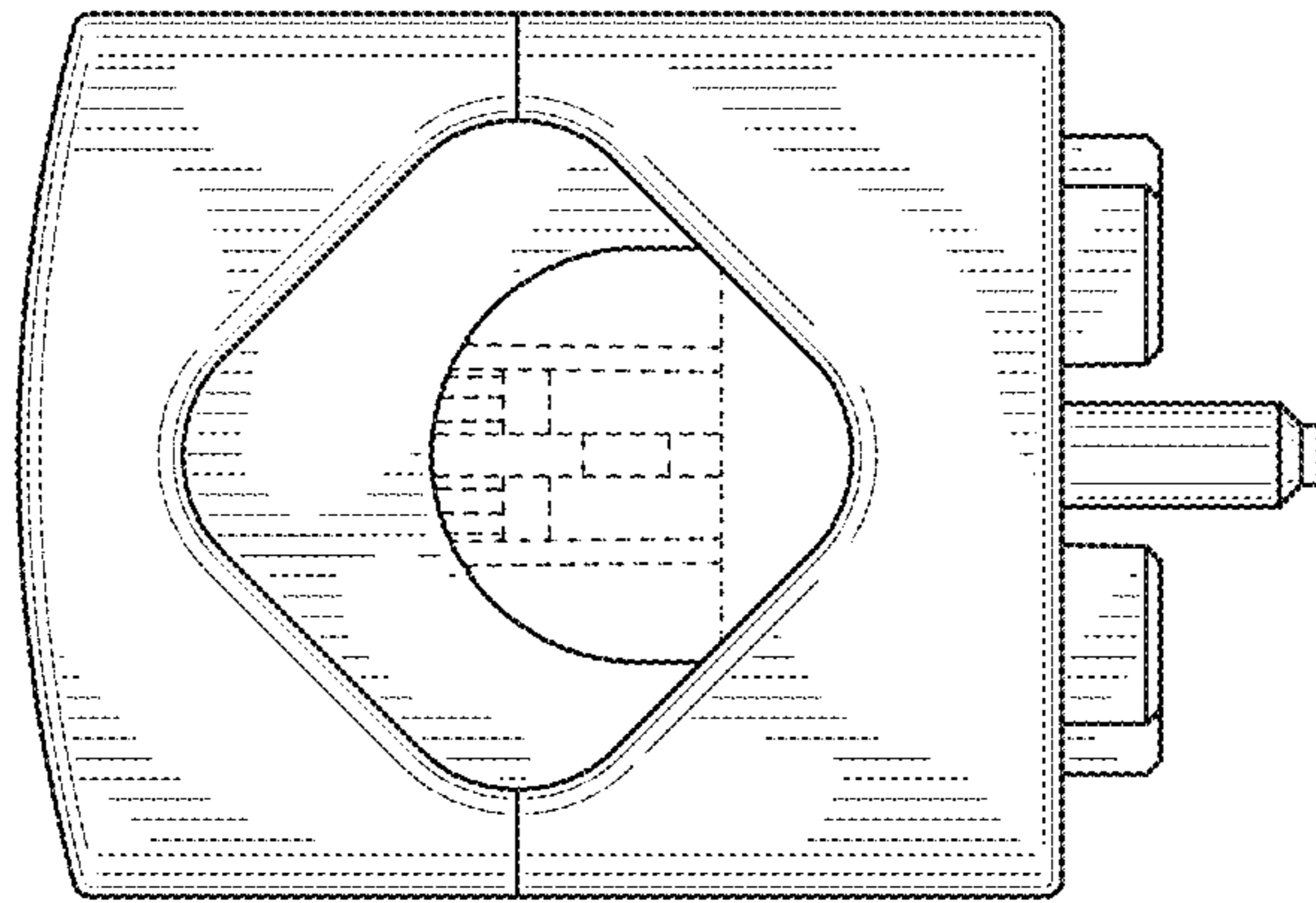


FIG. 3

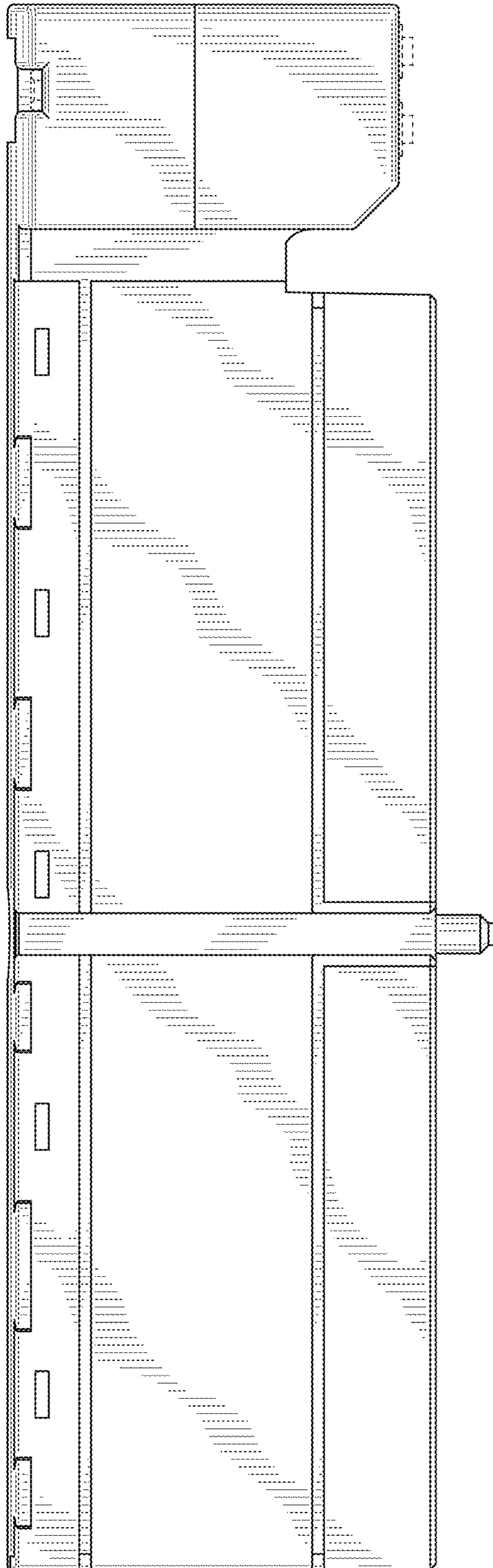


FIG. 5

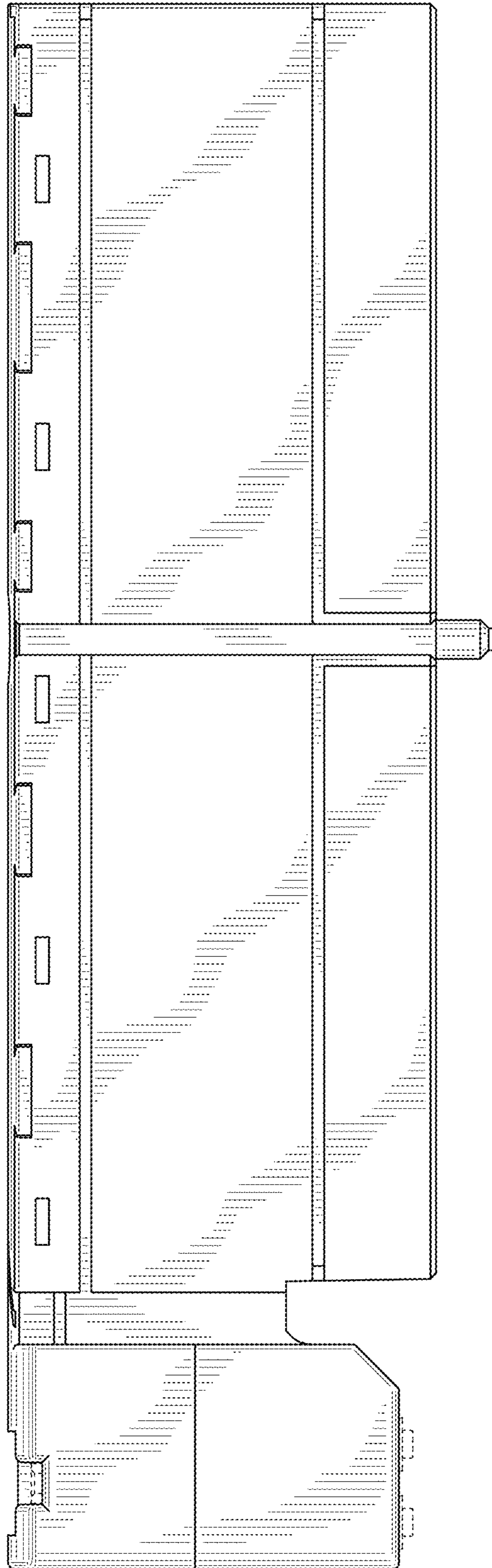


FIG. 6

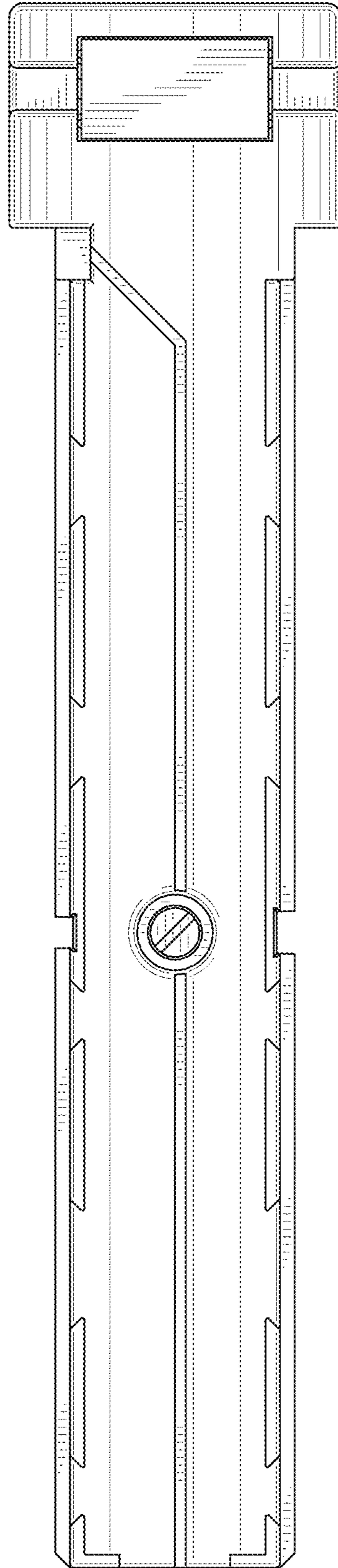


FIG. 7