



US00D770386S

(12) **United States Design Patent** (10) **Patent No.:** **US D770,386 S**
Corona (45) **Date of Patent:** **** Nov. 1, 2016**

(54) **FEMALE ELECTRICAL CONNECTOR**
(71) Applicant: **DSM&T Company, Inc.**, Fontana, CA (US)
(72) Inventor: **Sergio Corona**, Upland, CA (US)
(73) Assignee: **DSM&T Company, Inc.**, Fontana, CA (US)
(**) Term: **15 Years**
(21) Appl. No.: **29/529,802**
(22) Filed: **Jun. 10, 2015**
(51) **LOC (10) Cl.** **13-03**
(52) **U.S. Cl.**
USPC **D13/146**
(58) **Field of Classification Search**
USPC D13/133, 146, 147, 154, 184, 199
CPC H01R 13/4534; H01R 13/506; H01R 13/516; H01R 13/5208; H01R 13/5816; H01R 13/627; H01R 13/64; H01R 13/641; H01R 13/642; H01R 13/659
See application file for complete search history.

D560,610 S * 1/2008 McCoy D13/133
7,390,210 B2 6/2008 Corona
7,785,123 B2 8/2010 Corona
D639,743 S * 6/2011 Smith D13/146
D677,629 S 3/2013 Corona
D678,200 S 3/2013 Corona
D678,201 S 3/2013 Corona
D678,202 S 3/2013 Corona
D678,203 S 3/2013 Corona
D678,204 S 3/2013 Corona
D694,189 S * 11/2013 Ledinger D13/146
D697,030 S * 1/2014 Ledinger D13/146
D698,730 S * 2/2014 Hori D13/146
D729,169 S 5/2015 Corona
D748,058 S * 1/2016 Corona D13/146
D753,065 S * 4/2016 Corona D13/146

* cited by examiner

Primary Examiner — Daniel Bui
(74) *Attorney, Agent, or Firm* — Keusey & Associates, P.C.

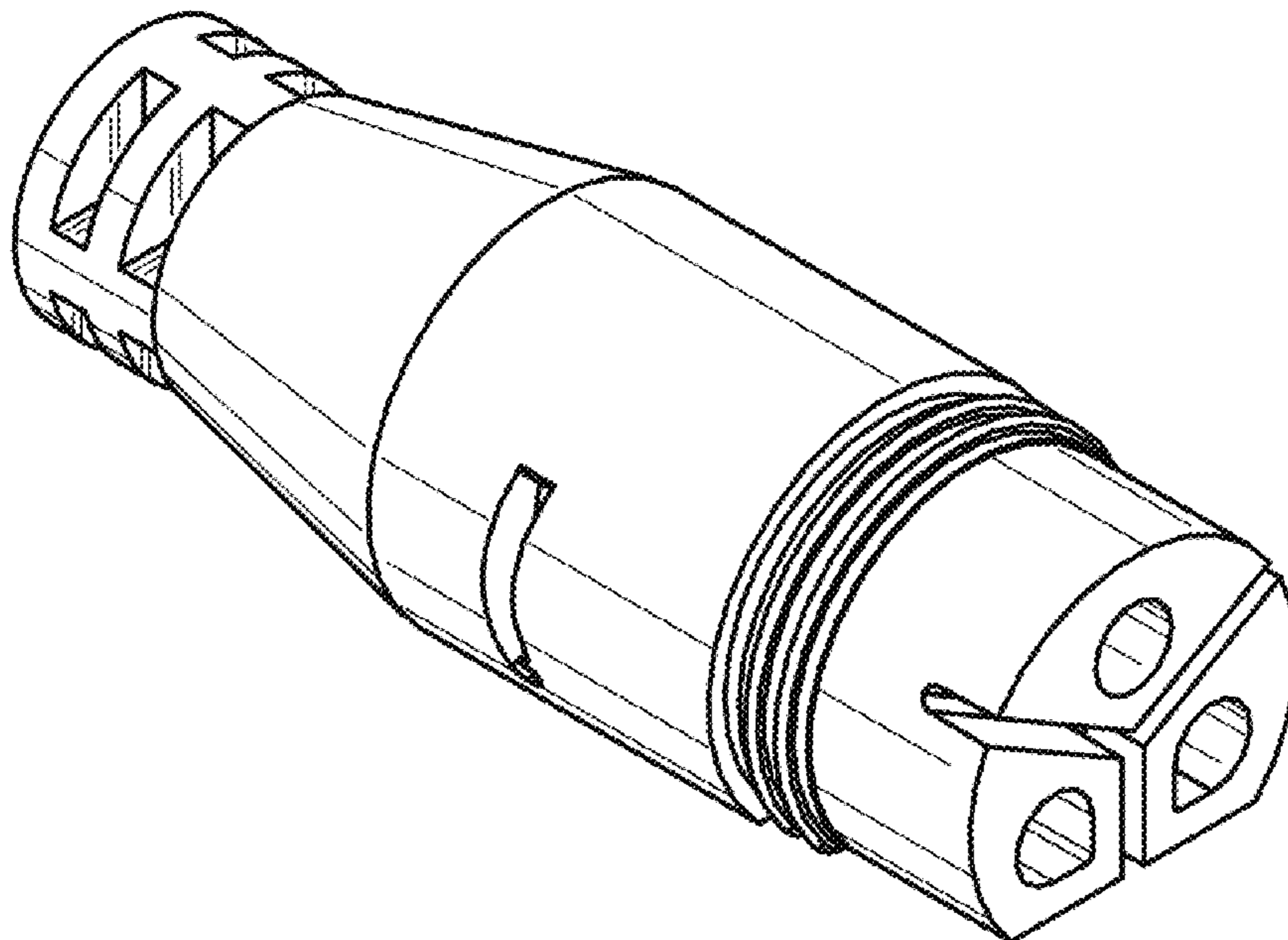
(57) **CLAIM**
The ornamental design for a female electrical connector, as shown and described.

DESCRIPTION

FIG. 1 is a top, front and left side perspective view of a female electrical connector showing my new design; FIG. 2 is a right side elevational view thereof, the left side being a mirror image thereof. FIG. 3 is a front side elevational view thereof. FIG. 4 is a rear side elevational view thereof. FIG. 5 is a top plan view thereof; and, FIG. 6 is a bottom plan view thereof. The broken lines in FIG. 4 are included to show environmental structure and form no part of the claimed design.

1 Claim, 2 Drawing Sheets

(56) **References Cited**
U.S. PATENT DOCUMENTS
D188,419 S * 7/1960 Danesi D13/146
5,401,181 A 3/1995 Wilson
D360,871 S 8/1995 Wilson
D360,872 S 8/1995 Wilson
D437,828 S 2/2001 Corona
D439,221 S 3/2001 Corona
D445,763 S 7/2001 Corona
D446,186 S 8/2001 Corona
6,379,169 B1 4/2002 Corona
6,383,003 B1 5/2002 Corona



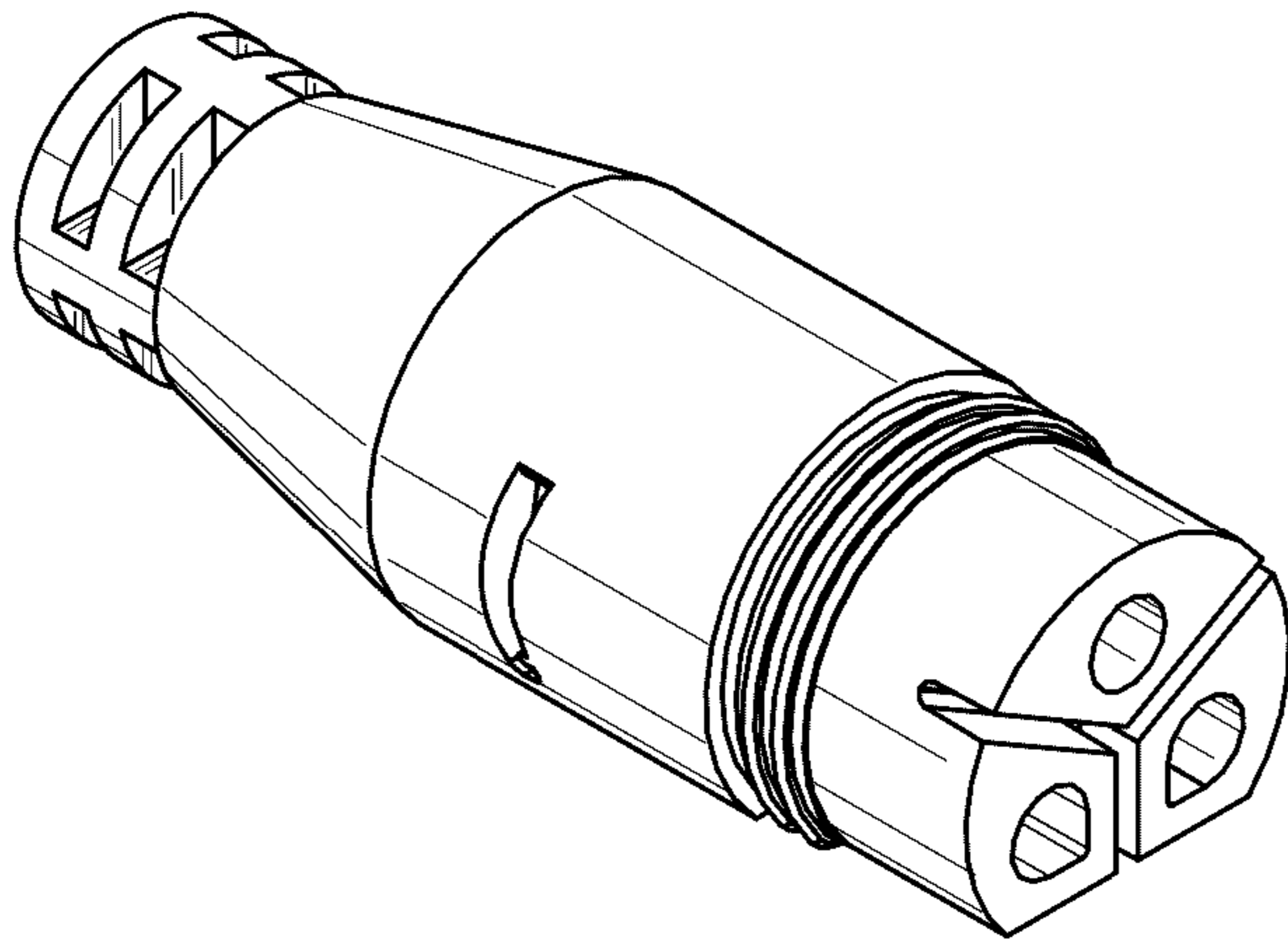


FIG. 1

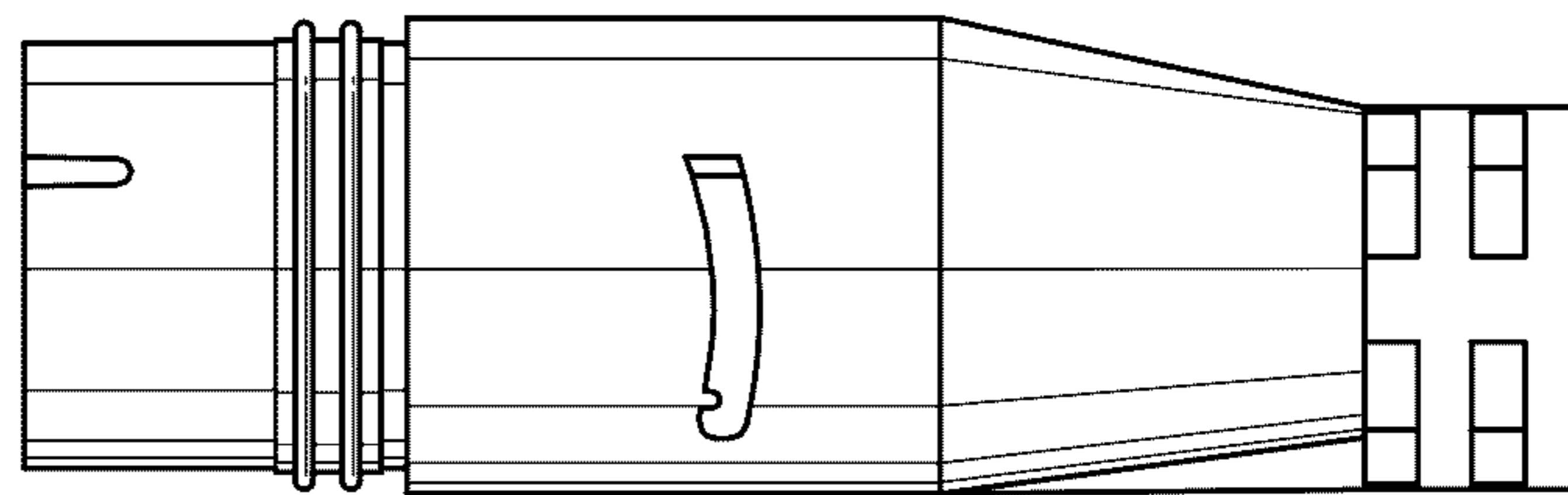


FIG. 2

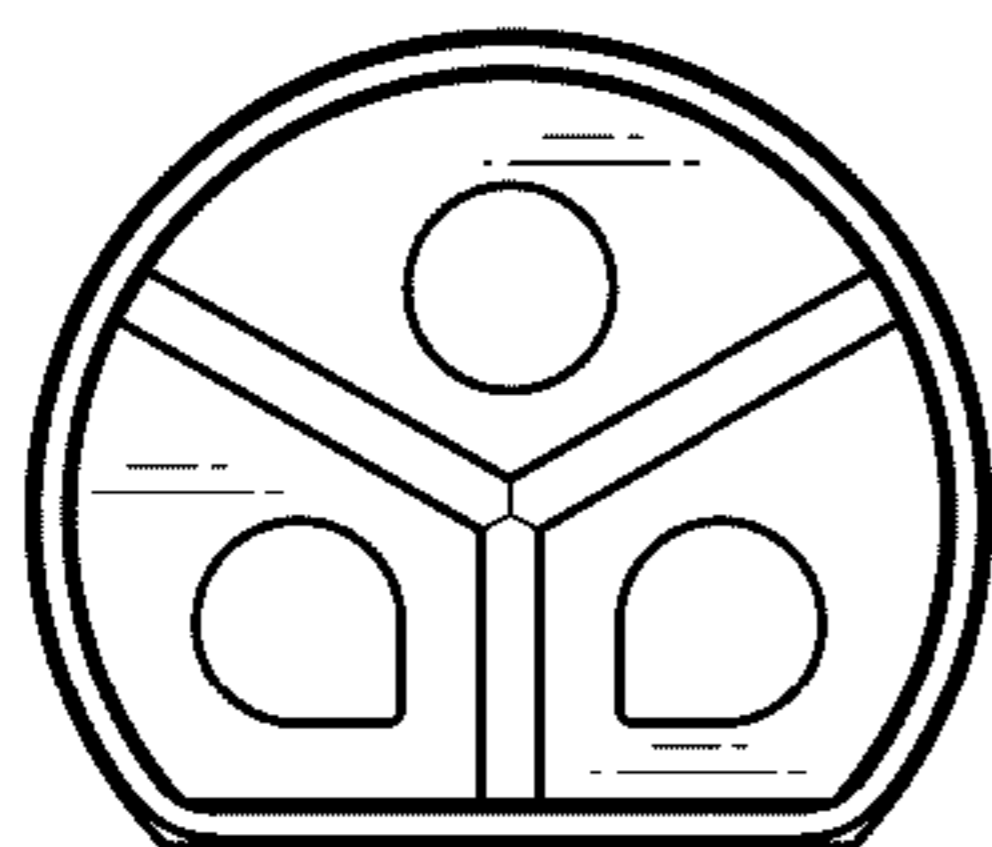


FIG. 3

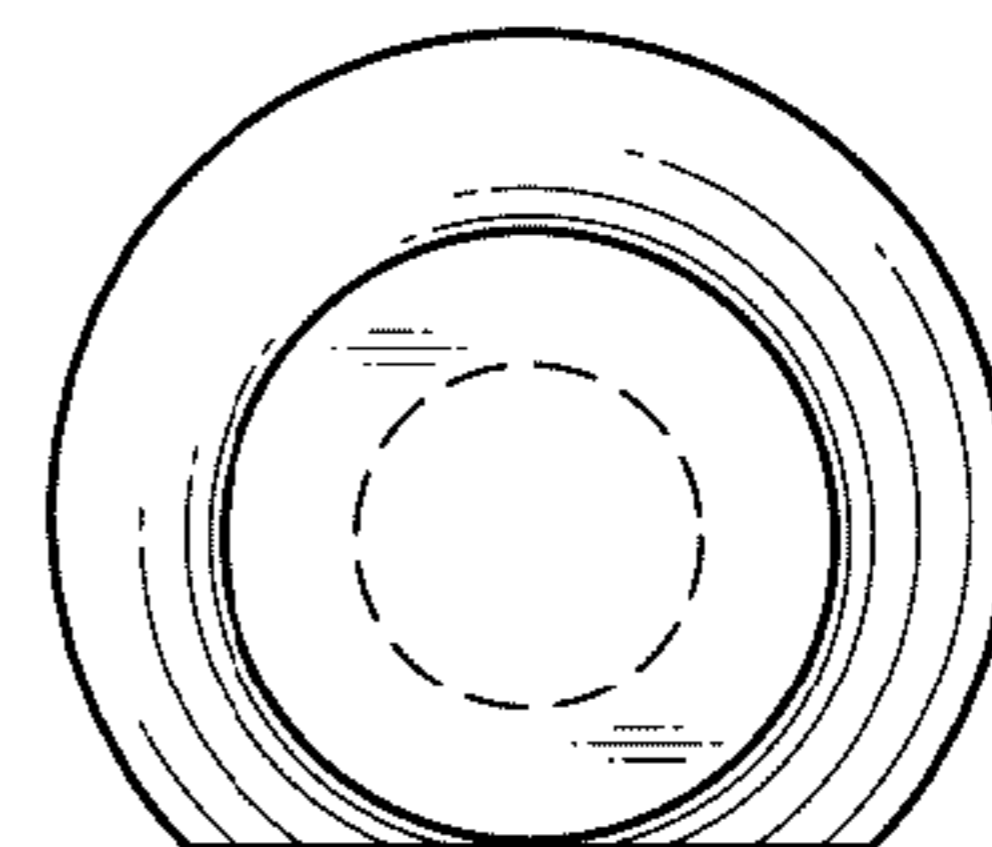


FIG. 4

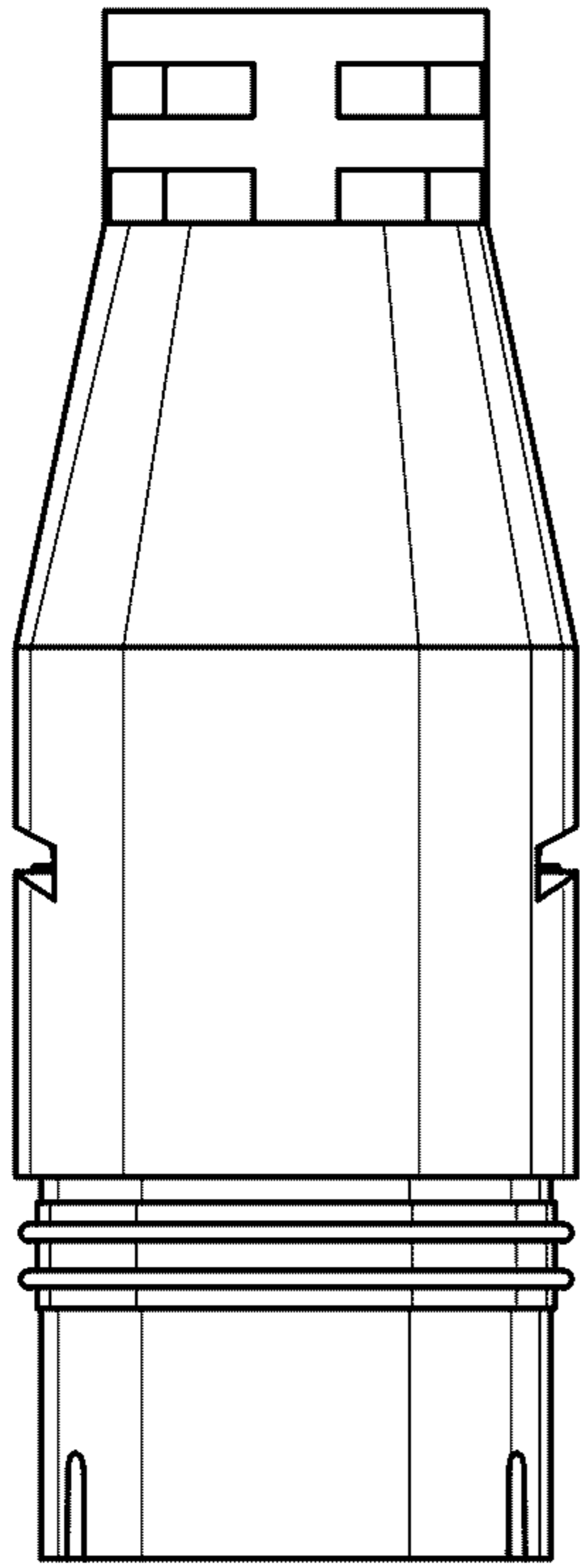


FIG. 5

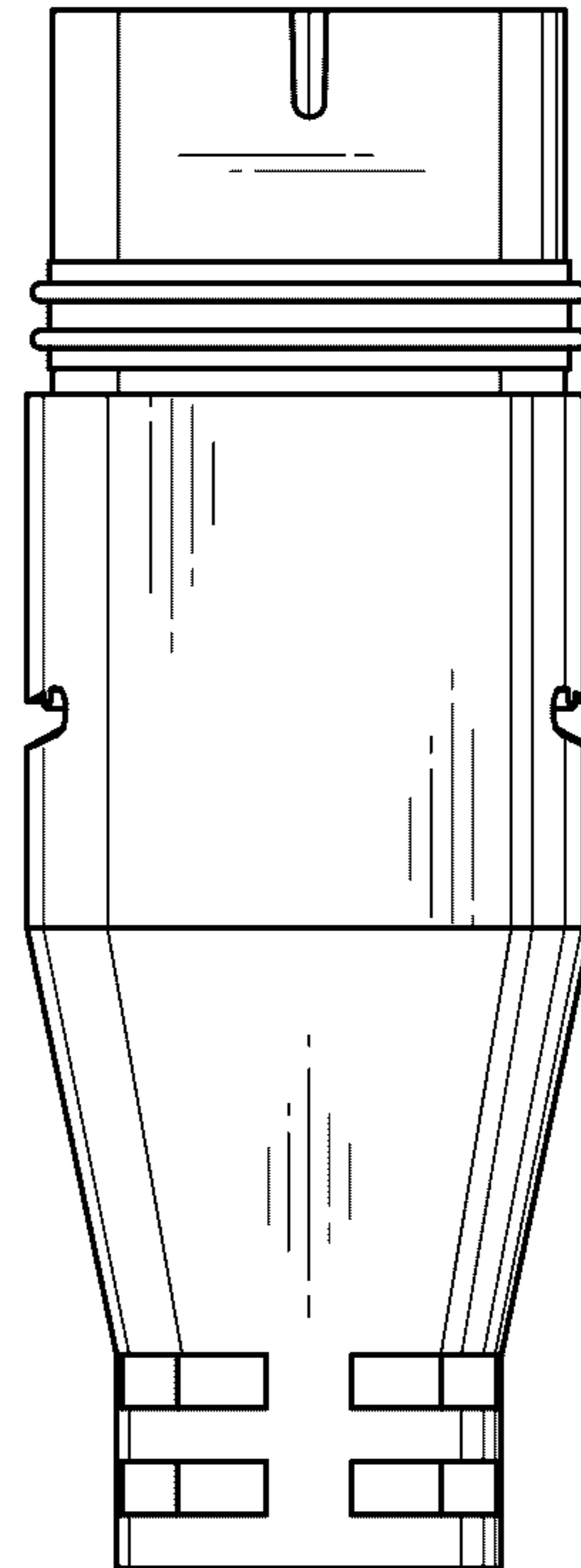


FIG. 6