



US00D770385S

(12) **United States Design Patent**
Suica et al.

(10) **Patent No.:** **US D770,385 S**

(45) **Date of Patent:** **** Nov. 1, 2016**

(54) **ELECTRICAL RECEPTACLE TESTER**

(71) Applicant: **Hubbell Incorporated**, Shelton, CT (US)

(72) Inventors: **Samuel Thomas Suica**, Las Vegas, NV (US); **Thomas L Scanzillo**, Monroe, CT (US)

(73) Assignee: **Hubbell Incorporated**, Shelton, CT (US)

(**) Term: **14 Years**

(21) Appl. No.: **29/504,596**

(22) Filed: **Oct. 7, 2014**

(51) **LOC (10) Cl.** **13-03**

(52) **U.S. Cl.**
USPC **D13/146**

(58) **Field of Classification Search**
USPC D13/133, 146, 147, 154, 184, 199
See application file for complete search history.

(56) **References Cited**

U.S. PATENT DOCUMENTS

3,945,702	A *	3/1976	Poliak	H01R 13/71	439/337
4,003,622	A *	1/1977	Gartland, Jr.	H01R 24/005	439/332
4,929,887	A	5/1990	Robitaille et al.			
D371,112	S *	6/1996	Anthony	D13/146	
D372,221	S *	7/1996	Anthony	D13/146	
5,641,310	A *	6/1997	Tiberio, Jr.	H01R 13/625	439/680

6,462,555	B1	10/2002	Schaefer			
6,982,558	B2	1/2006	Bryndzia et al.			
7,030,624	B1	4/2006	Love			
7,248,056	B2	7/2007	Waldschmidt			
D667,792	S *	9/2012	Angel	D13/133	
D702,183	S *	4/2014	Benedict	D13/110	
2003/0114042	A1 *	6/2003	Mortun	H01R 13/5837	439/449

* cited by examiner

Primary Examiner — Daniel Bui

(74) *Attorney, Agent, or Firm* — Wissing Miller LLP

(57) **CLAIM**

The ornamental design for an electrical receptacle tester, as shown and described.

DESCRIPTION

FIG. 1 is a top, first side perspective view of the new design for an electrical receptacle tester in accordance with the present invention;

FIG. 2 is a top, second side perspective view of the electrical receptacle tester shown in FIG. 1;

FIG. 3 is a side elevational view of the first side of the electrical receptacle tester shown in FIG. 1;

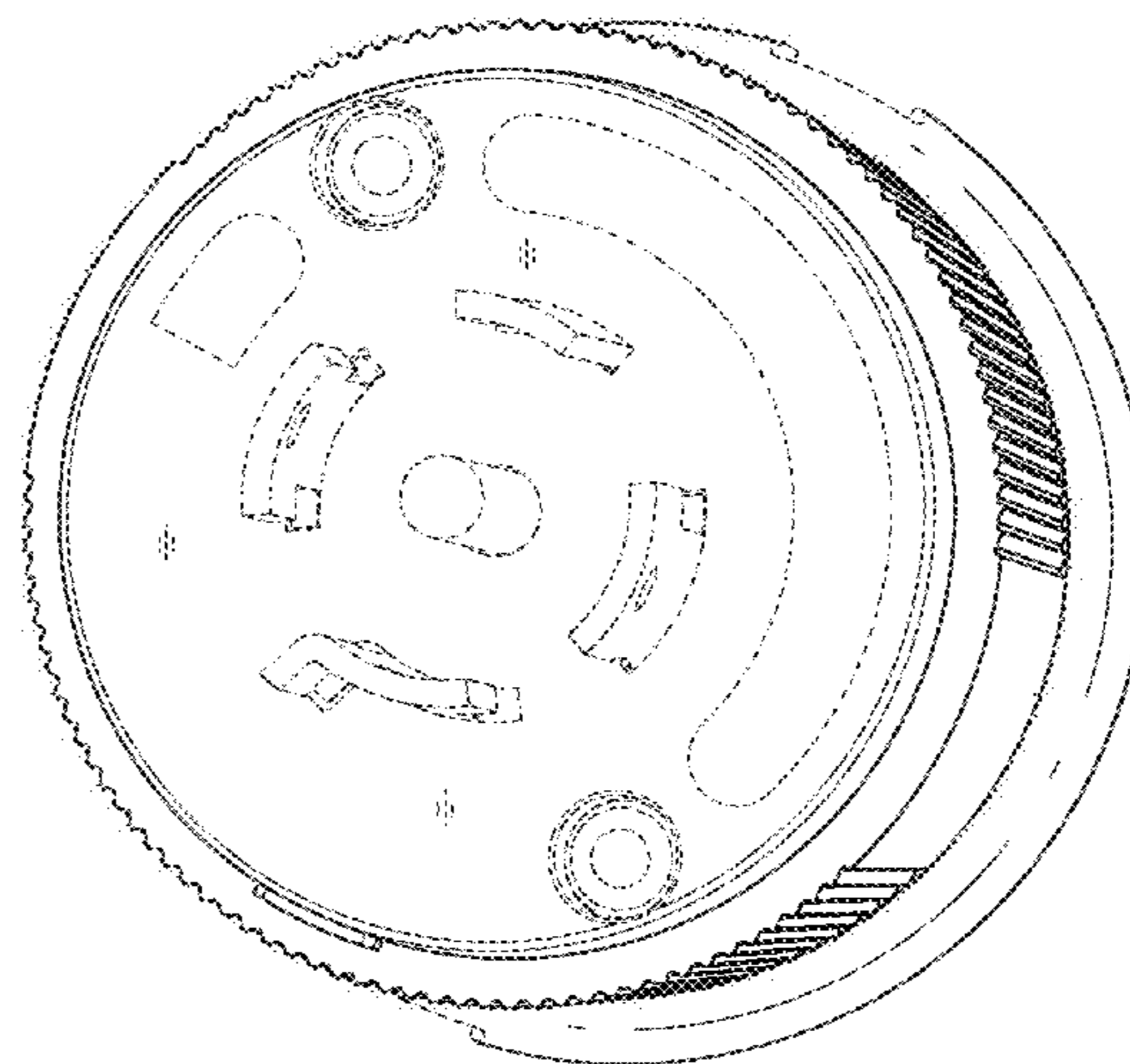
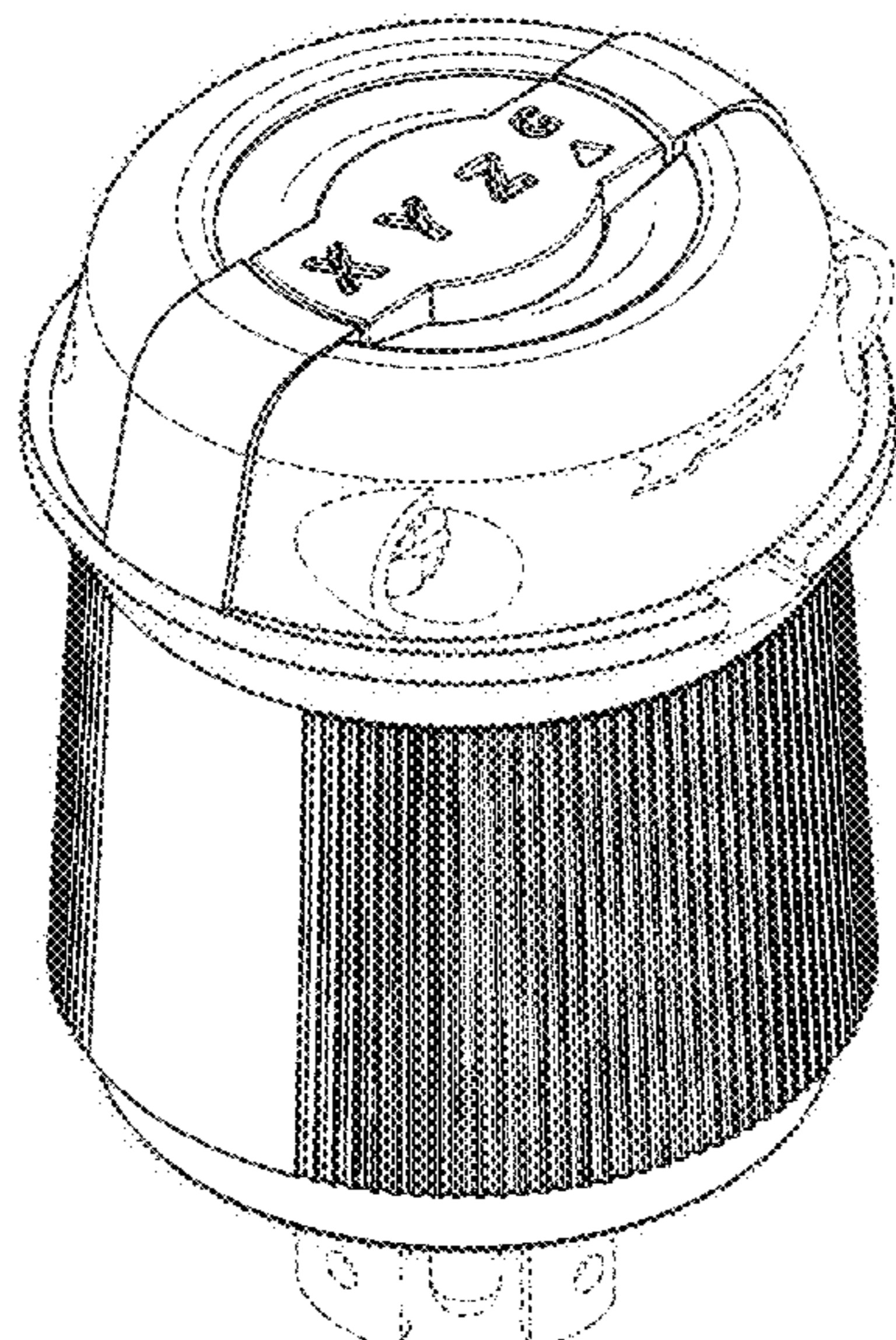
FIG. 4 is a bottom perspective view of the electrical receptacle tester shown in FIG. 1;

FIG. 5 is a top view of the electrical receptacle tester shown in FIG. 1; and,

FIG. 6 is another embodiment of a top view of the electrical receptacle tester shown in FIG. 1.

The broken lines within the various embodiments of the claimed design and the spaces therein are for environmental purposes only and form no part of the claimed design.

1 Claim, 4 Drawing Sheets



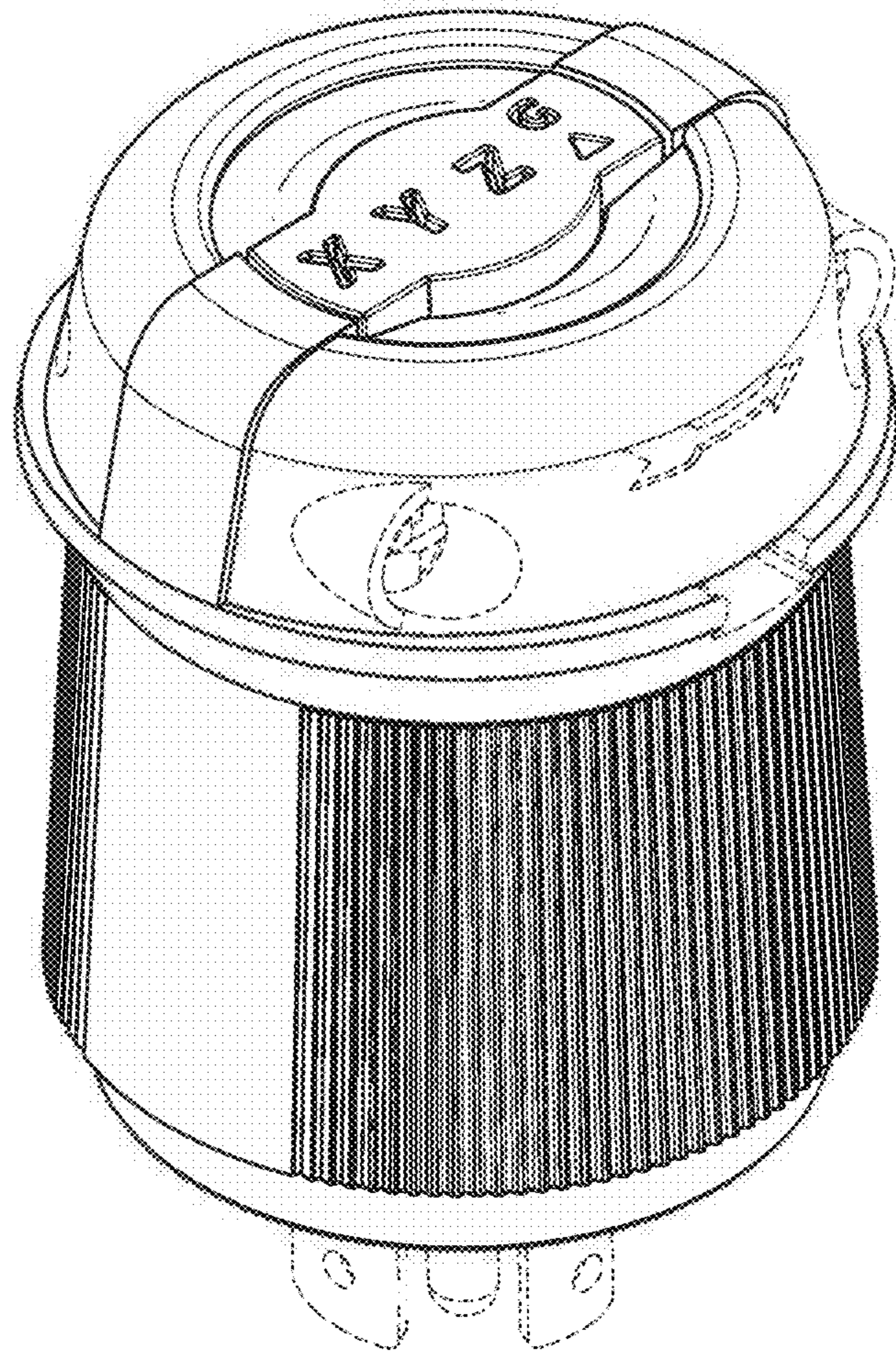


FIG. 1

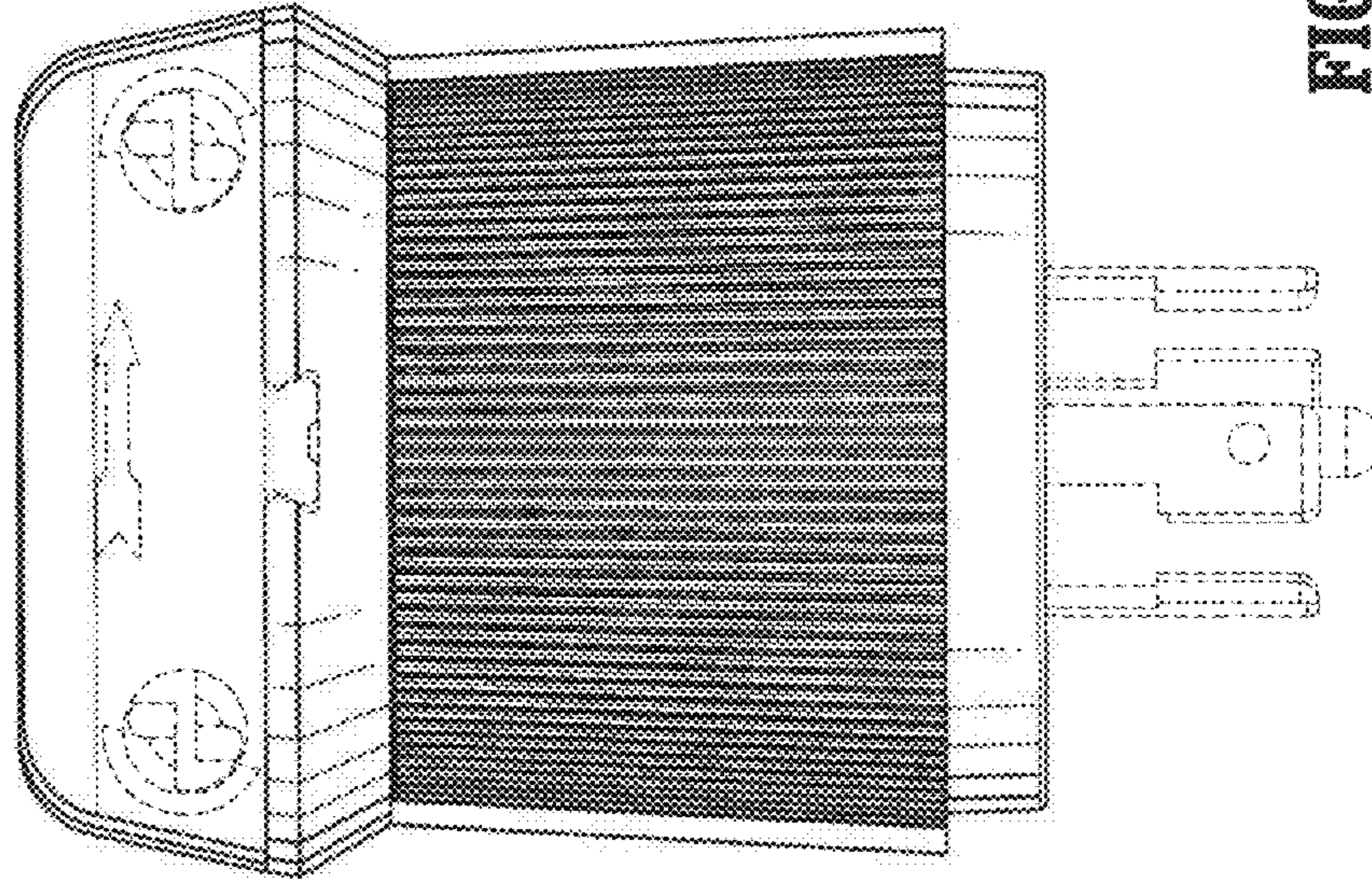


FIG. 3

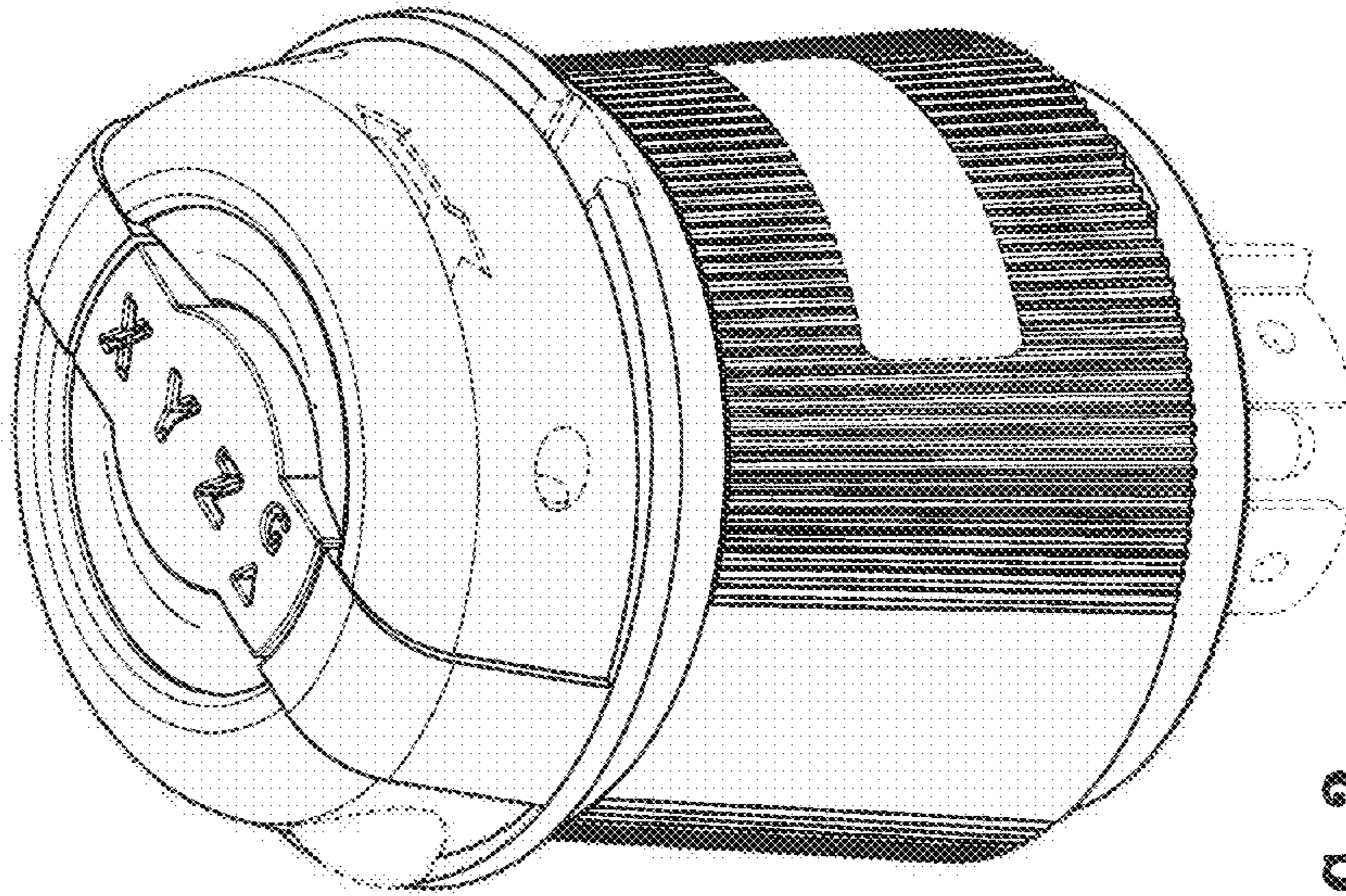


FIG. 2

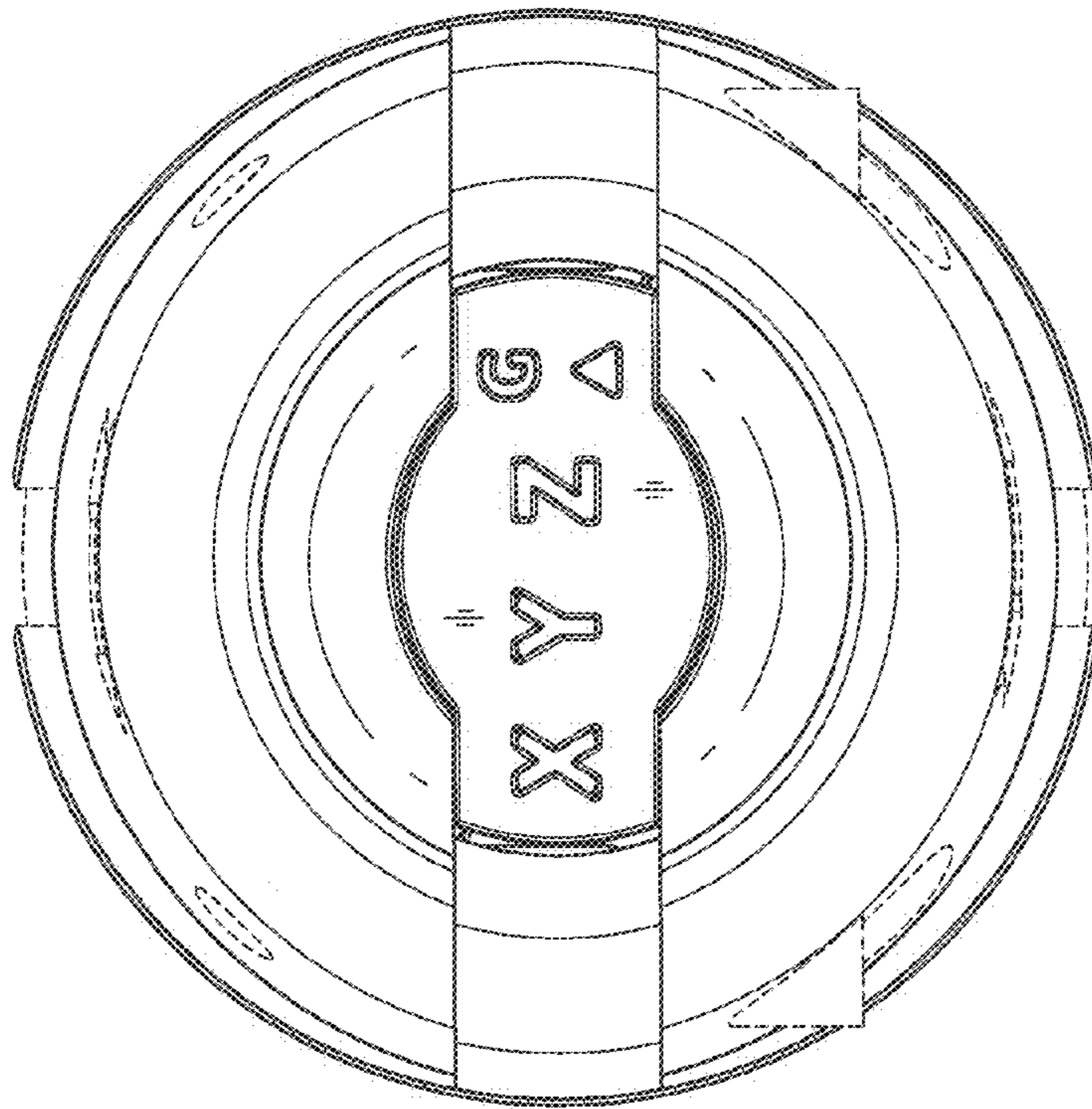


FIG. 5

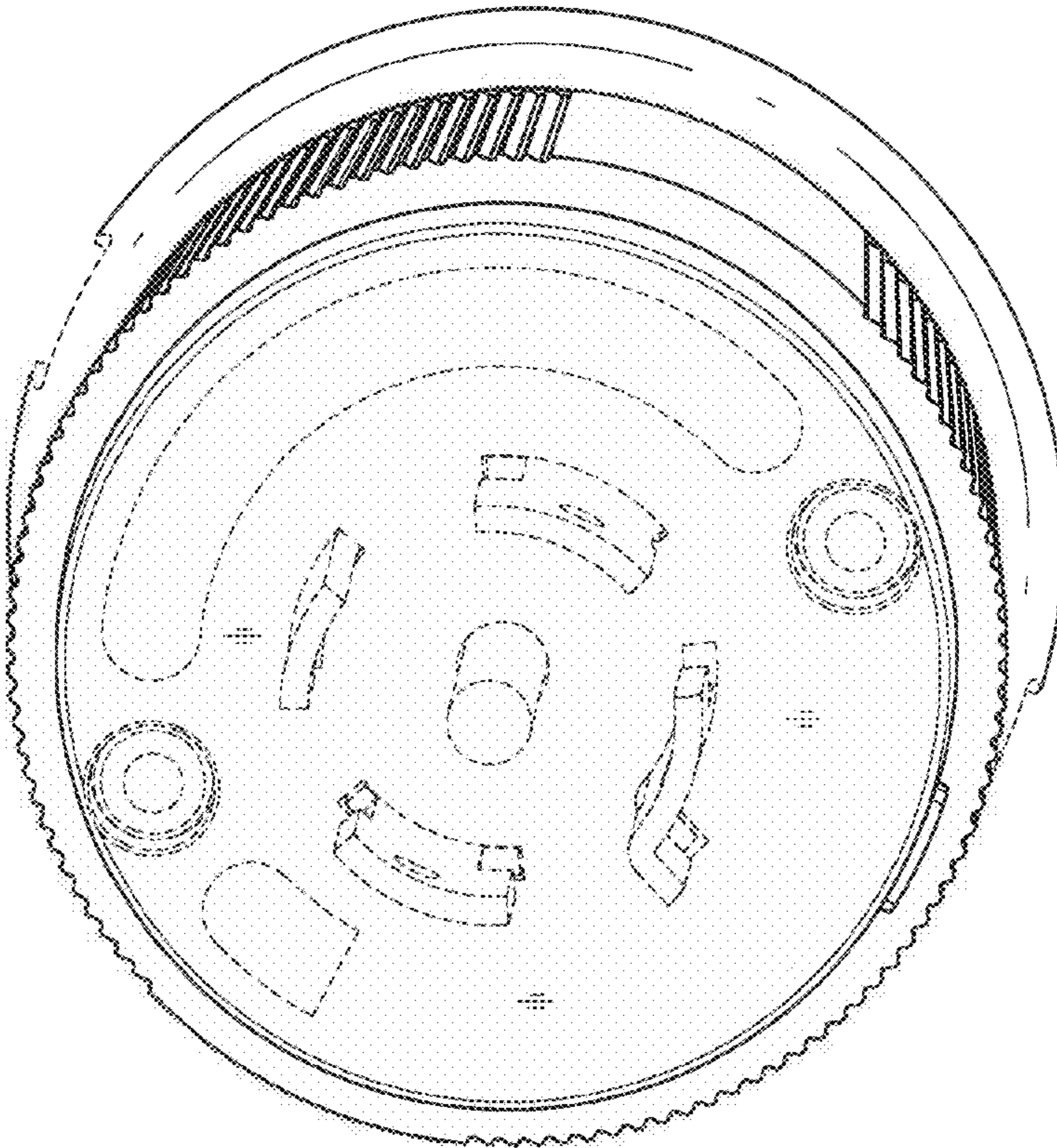


FIG. 4

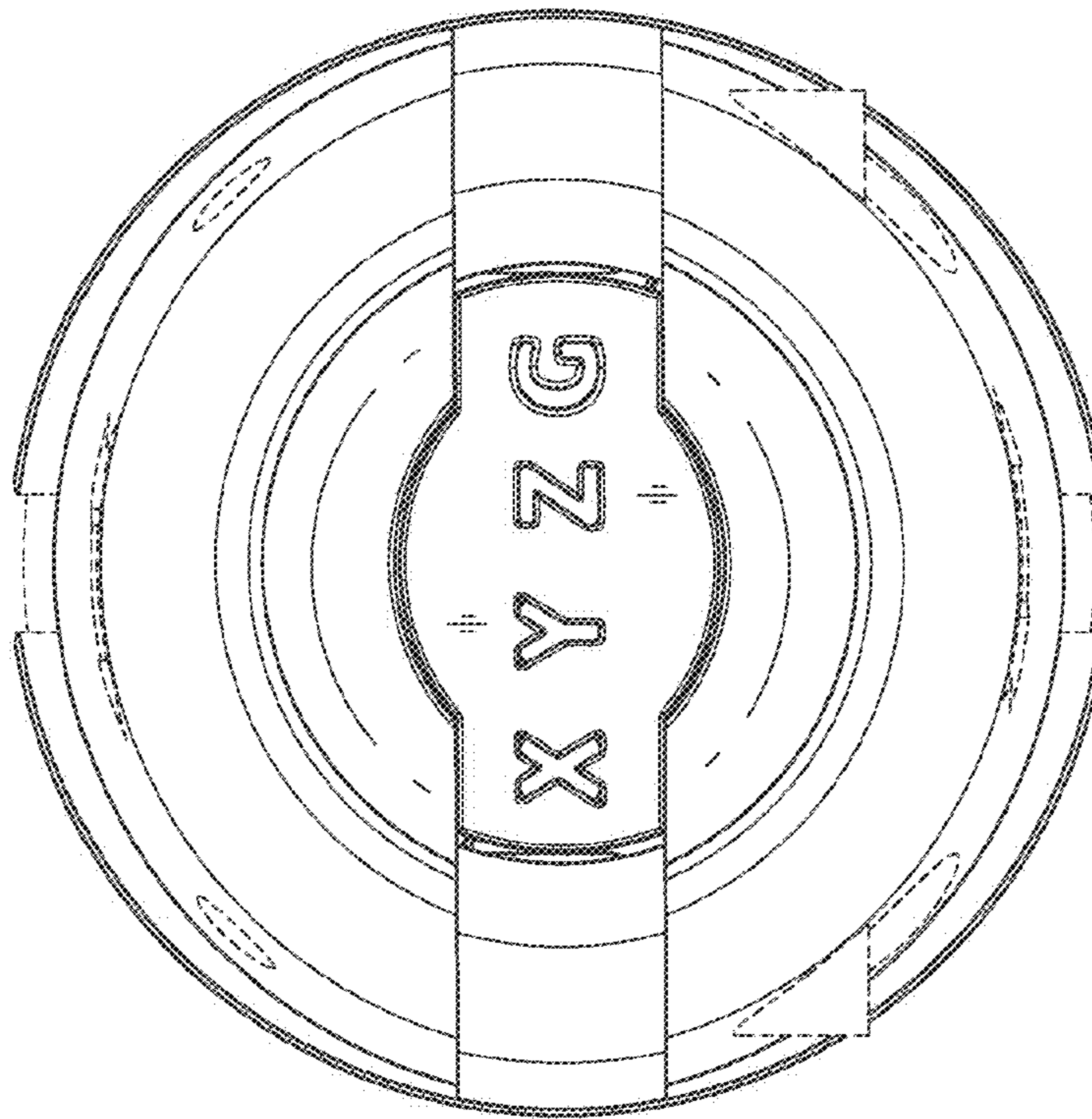


FIG. 6