



US00D770382S

(12) **United States Design Patent** (10) **Patent No.:** **US D770,382 S**
Coty (45) **Date of Patent:** **** Nov. 1, 2016**

(54) **ELECTRONIC DEVICE CHARGER**

(71) Applicant: **Lynita Coty**, Renton, WA (US)

(72) Inventor: **Lynita Coty**, Renton, WA (US)

(**) Term: **14 Years**

(21) Appl. No.: **29/521,214**

(22) Filed: **Mar. 20, 2015**

(51) **LOC (10) Cl.** **13-02**

(52) **U.S. Cl.**
USPC **D13/108**

(58) **Field of Classification Search**

USPC D13/102–106, 110, 118–119, 184;
D14/251, 253, 432, 434
CPC Y02E 60/10; Y02E 60/12; Y02E 60/122;
Y02E 60/124; Y02E 60/50; H01M 2/02;
H01M 2/022; H01M 2/0202; H01M 2/0207;
H01M 2/0212; H01M 2/1061; H01M 2/1022;
H01M 2/1055; H01M 2/1066; H01M 2/105;
H01M 2/20; H01M 2/202; H01M 2/204;
H01M 2/206; H01M 10/44; H01M 10/46;
H01M 10/465; H01M 10/482; H01M
2200/30; H01M 2250/30; H01M 2250/40;
H02J 7/00; H02J 7/0003; H02J 7/0011;
H02J 7/0013; H02J 7/0054; H02J 7/0055;
H02J 7/0057; H02J 2007/0062
See application file for complete search history.

(56) **References Cited**

U.S. PATENT DOCUMENTS

5,814,906 A	9/1998	Spencer et al.	
D520,502 S *	5/2006	Xu	D14/356
D568,312 S *	5/2008	Wang	D14/356
D575,729 S *	8/2008	Nomi	D13/107
D587,267 S *	2/2009	Wang	D14/356
D603,791 S	11/2009	Daniel	
D628,535 S *	12/2010	Cheng	D13/108

D641,362 S *	7/2011	Dublin	D14/356
D643,807 S *	8/2011	Jiang	D13/103
D644,168 S	8/2011	Bishay et al.	
D650,738 S *	12/2011	Leung	D13/107
D661,249 S *	6/2012	Smith	D13/110
D662,878 S *	7/2012	Fahrendorff	D13/107
D665,732 S *	8/2012	Saito	D13/103
D667,788 S *	9/2012	Mai	D13/110
D676,380 S *	2/2013	Sun	D13/108
D682,197 S *	5/2013	Leung	D13/103
D682,777 S *	5/2013	Gupta	D13/103
D686,150 S *	7/2013	Lee	D13/103
D686,153 S *	7/2013	Qu	D13/103
D688,621 S	8/2013	Mozzardi et al.	
8,521,082 B1	8/2013	Lopez	
D695,214 S *	12/2013	Roberts	D13/107

(Continued)

Primary Examiner — Rosemary K Tarcza
Assistant Examiner — Nathaniel D Buckner

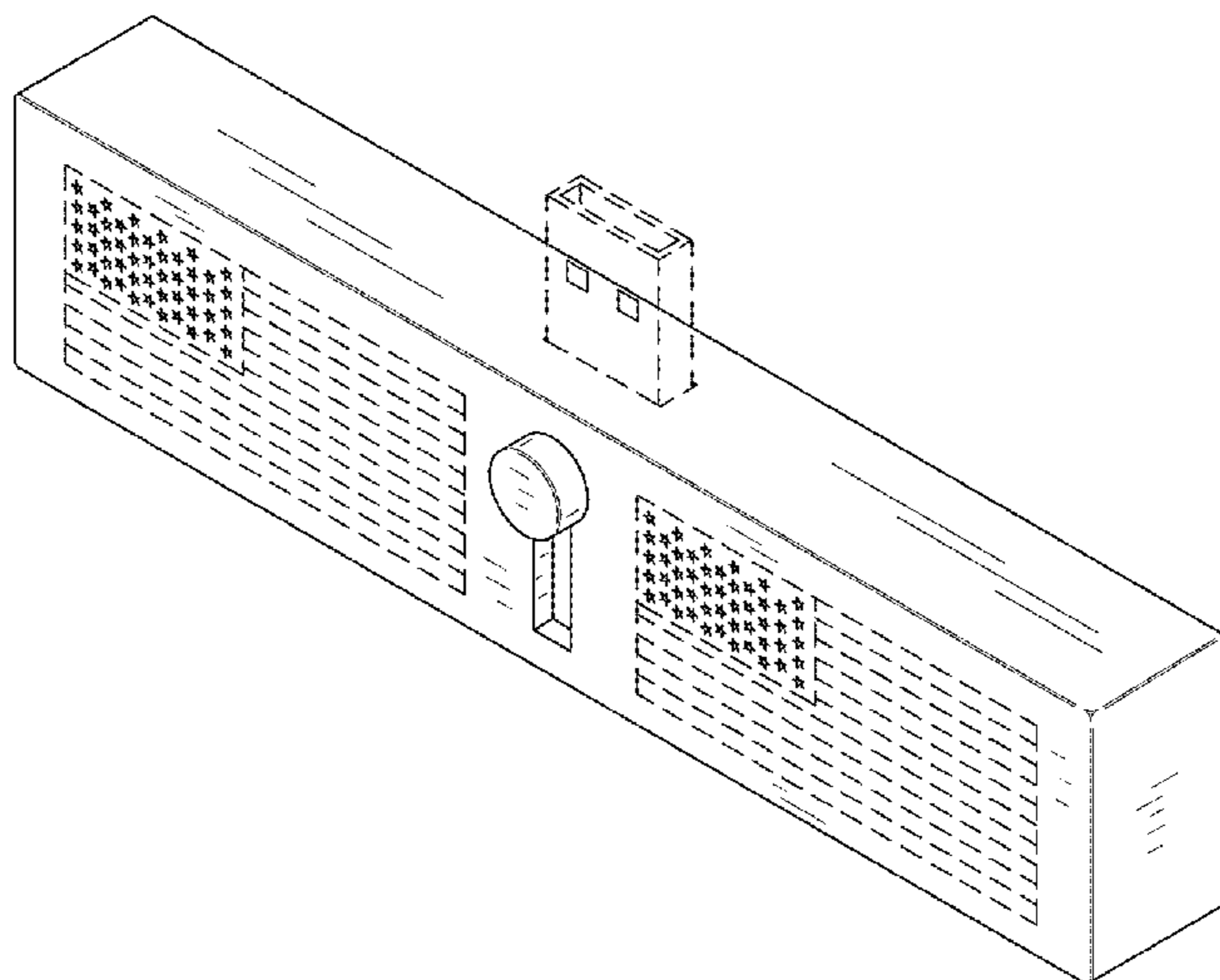
(57) **CLAIM**

The ornamental design for an electronic device charger, as shown and described.

DESCRIPTION

FIG. 1 is a front view of an electronic device charger showing my new design;
FIG. 2 is a rear view of the electronic device charger;
FIG. 3 is a left side view of the electronic device charger, a right side view being a mirror image thereof;
FIG. 4 is a top view of the electronic device charger;
FIG. 5 is a bottom view of the electronic device charger;
FIG. 6 is a top front side perspective view of the electronic device charger with a charging port in an extended position; and,
FIG. 7 is a top front side perspective view of the electronic device charger with the charging port in a retracted position. The broken lines present in the figures are included for the purpose of illustrating portions of the article that form no part of the claimed design.

1 Claim, 4 Drawing Sheets



(56)

References Cited

U.S. PATENT DOCUMENTS

D700,139 S *	2/2014	Chan	D13/103	D735,403 S *	7/2015	Che	D13/110
D708,125 S	7/2014	Geisenheimer			D739,347 S *	9/2015	Huang	D13/110
D708,129 S *	7/2014	Houghton	D13/103	D743,333 S *	11/2015	Nomi	D13/108
D708,571 S *	7/2014	Ji	D13/103	D743,889 S *	11/2015	Lyles	D13/110
D719,506 S *	12/2014	Jung	D13/108	D748,055 S *	1/2016	Lee	D13/119
D721,646 S *	1/2015	Kim	D13/103	D751,984 S *	3/2016	Lin	D13/103
D722,018 S *	2/2015	Wang	D13/103	2005/0263596 A1	12/2005	Nelson et al.		
D724,080 S *	3/2015	Lin	D14/356	2008/0315828 A1	12/2008	Lu et al.		
D733,043 S *	6/2015	Hasbrook	D13/103	2009/0160396 A1	6/2009	Shyu et al.		
					2014/0191704 A1	7/2014	Erikson		
					2016/0111692 A1*	4/2016	Morita	H01M 10/6554 429/7

* cited by examiner

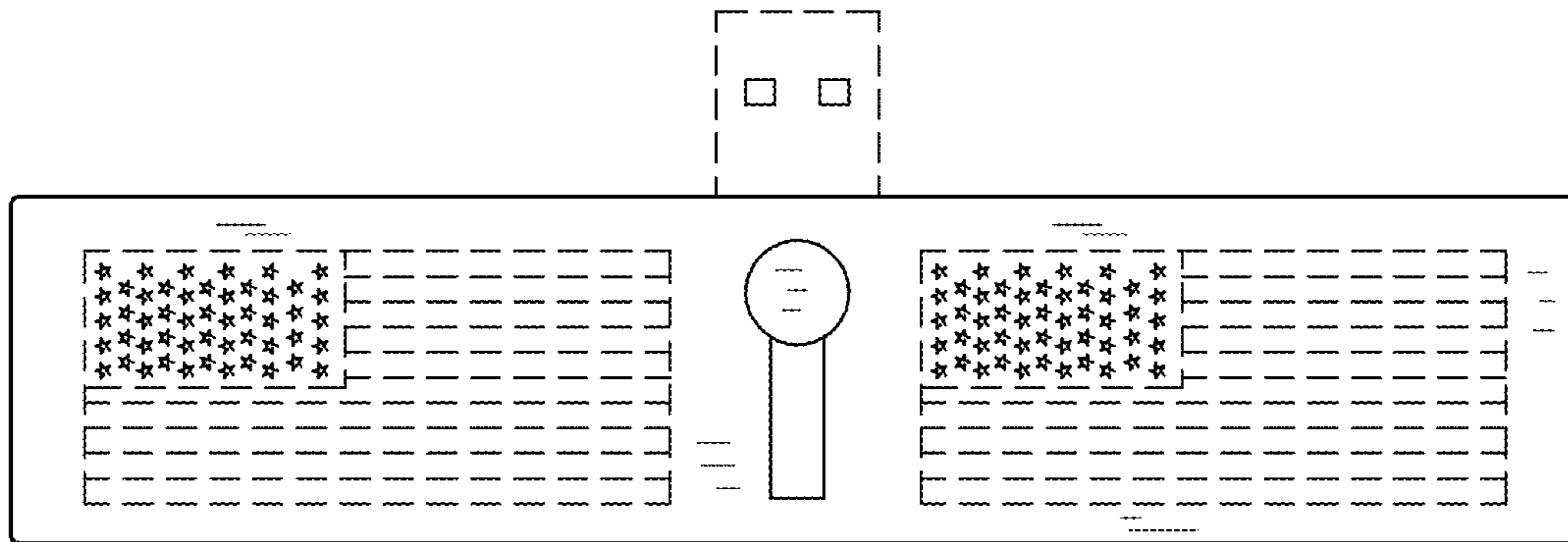


FIG. 1

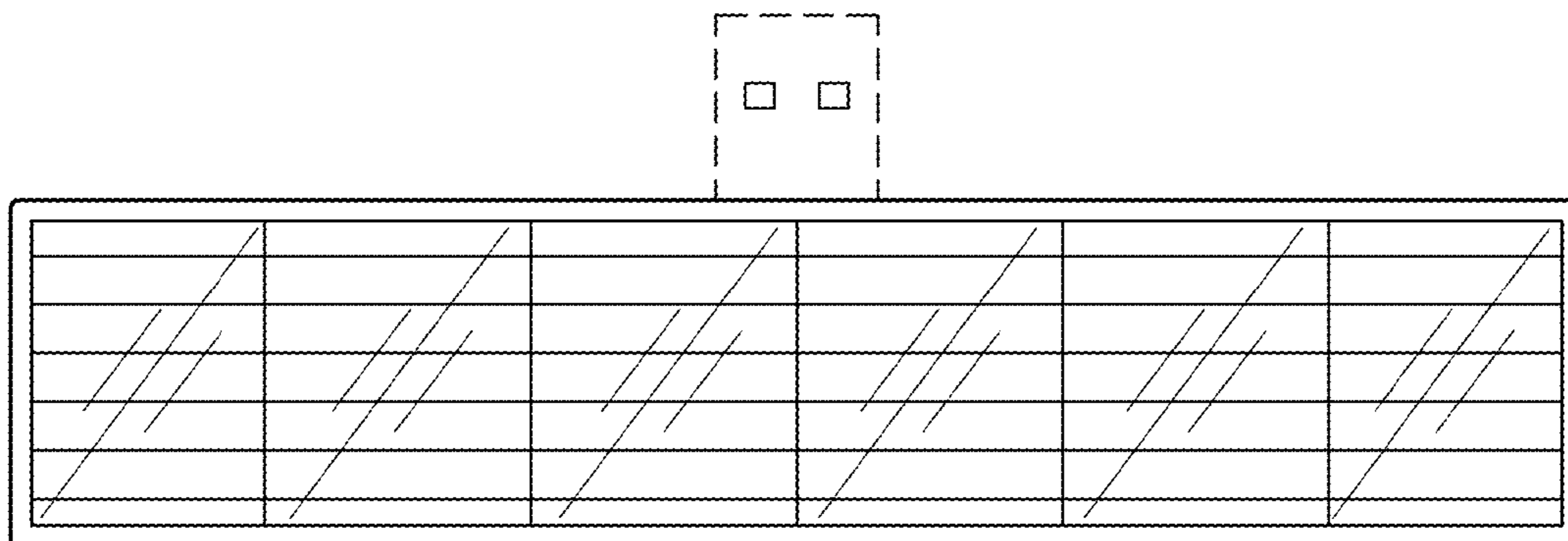


FIG. 2

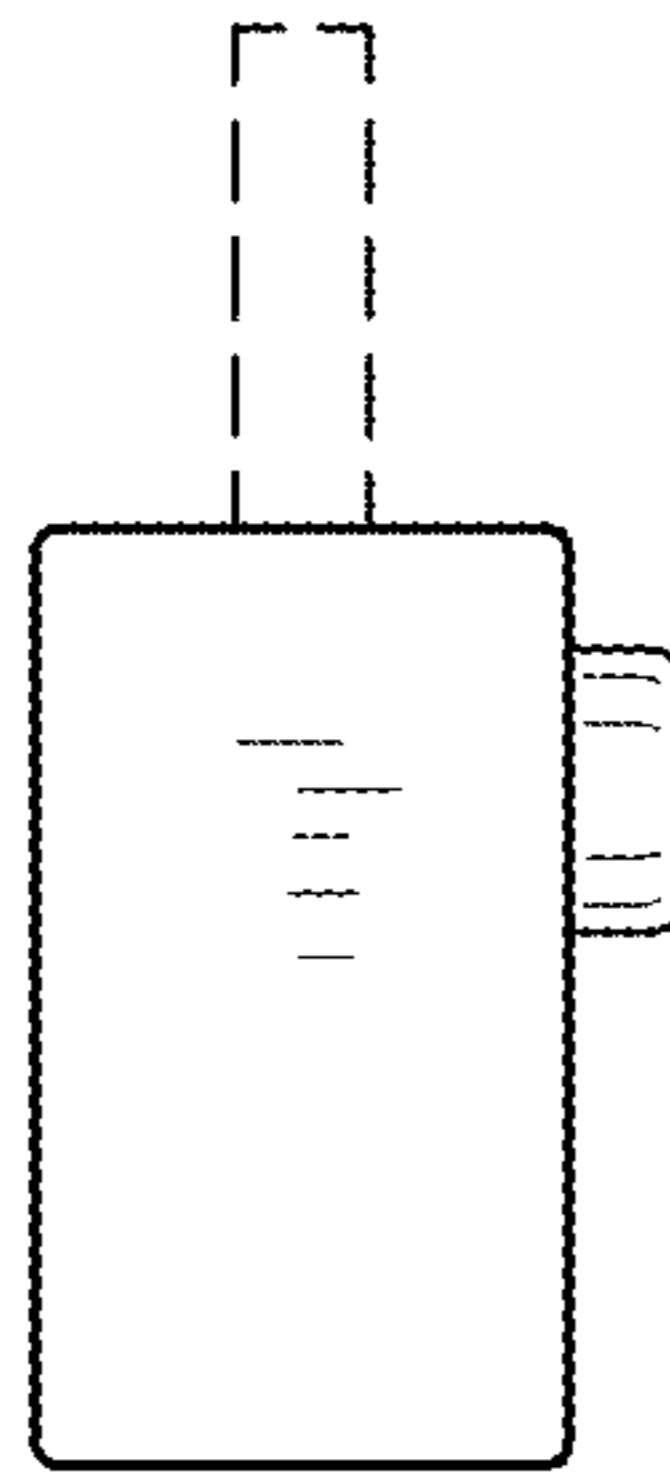


FIG. 3

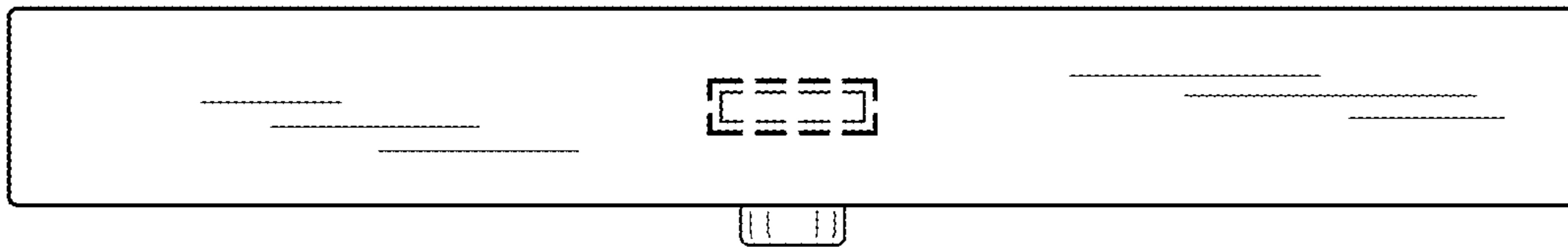


FIG. 4

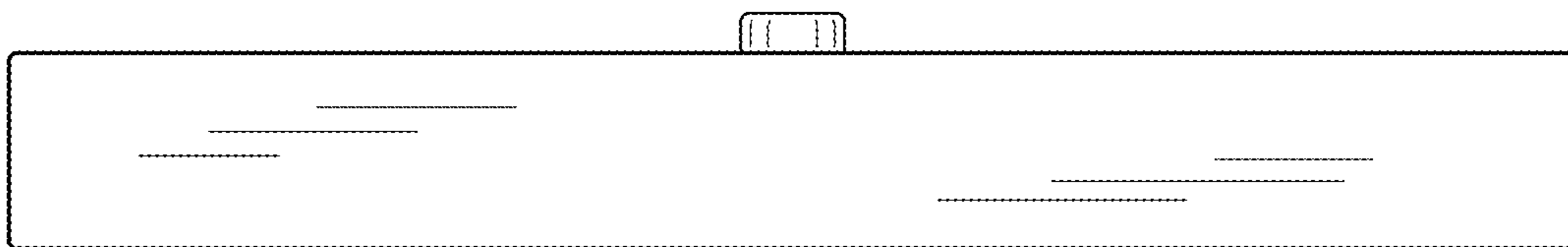


FIG. 5

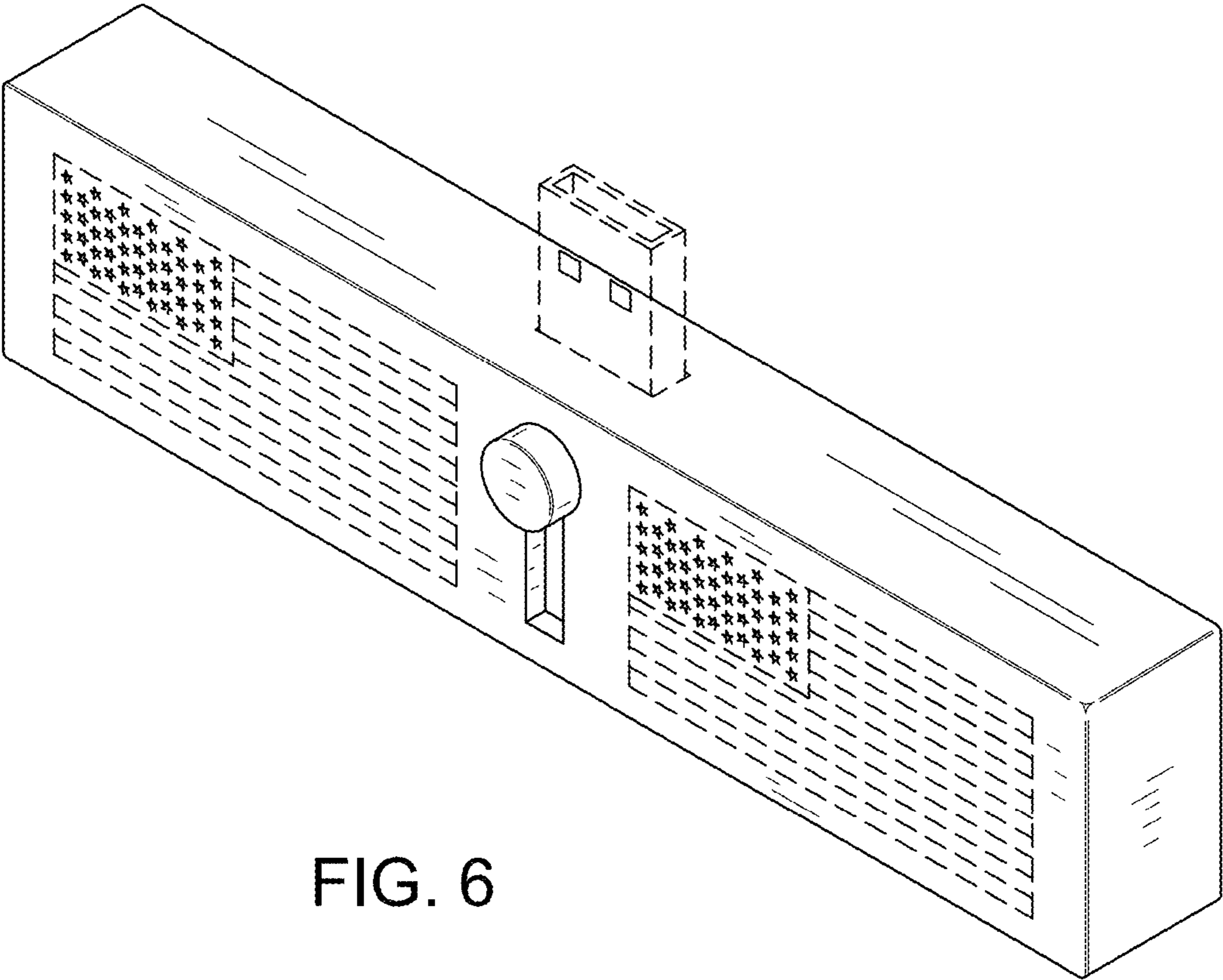


FIG. 6

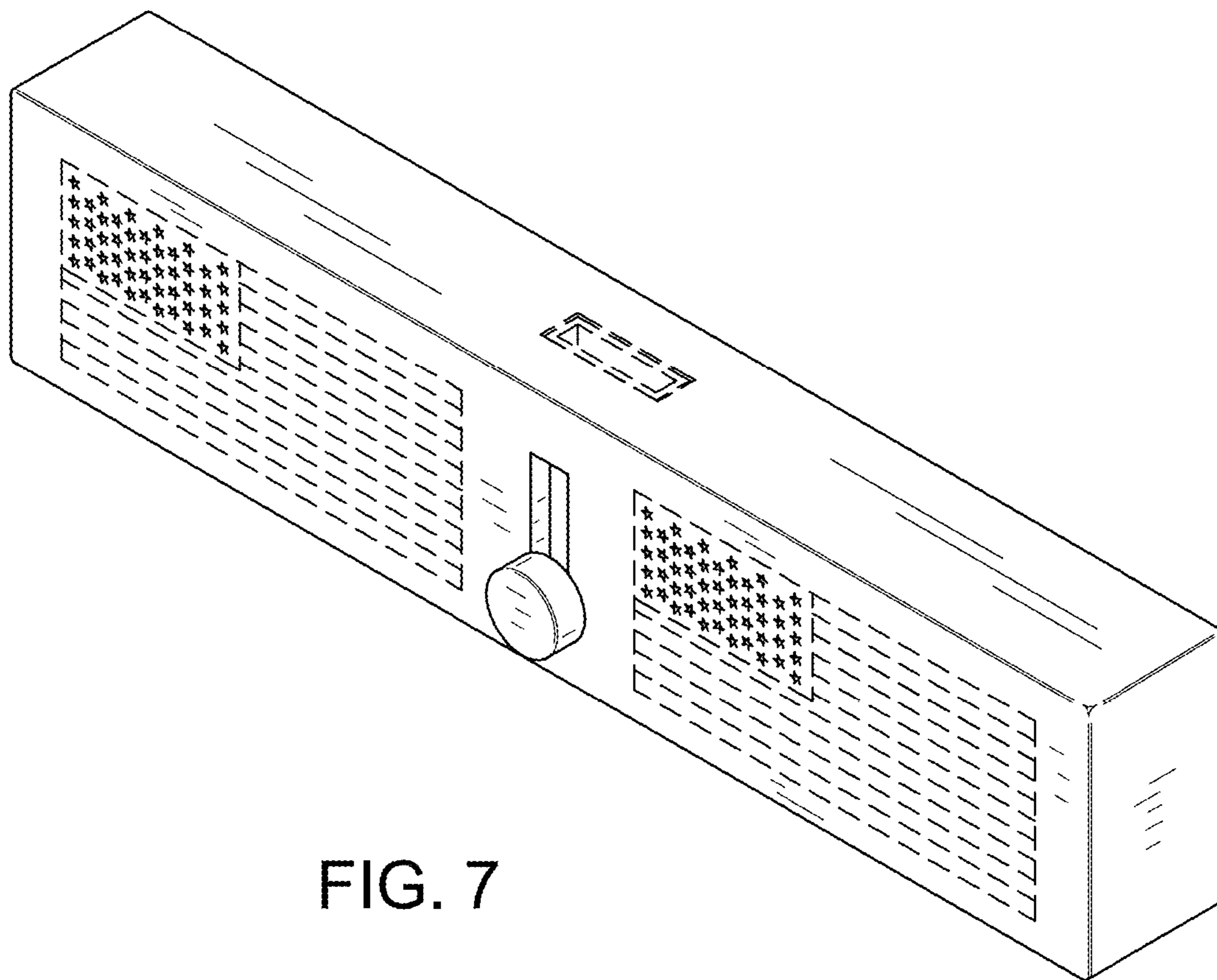


FIG. 7