



US00D770377S

(12) **United States Design Patent**
Kondo

(10) **Patent No.:** **US D770,377 S**

(45) **Date of Patent:** **** Nov. 1, 2016**

(54) **BATTERY**

(71) Applicant: **MAKITA CORPORATION**, Anjo-shi,
Aichi (JP)

(72) Inventor: **Eiji Kondo**, Anjo (JP)

(73) Assignee: **MAKITA CORPORATION**, Anjo-shi
(JP)

(**) Term: **15 Years**

(21) Appl. No.: **29/535,014**

(22) Filed: **Aug. 3, 2015**

(30) **Foreign Application Priority Data**

Feb. 13, 2015 (JP) 2015-002924

(51) **LOC (10) Cl.** **13-02**

(52) **U.S. Cl.**
USPC **D13/103**

(58) **Field of Classification Search**

USPC D13/102-110, 118, 199, 184;
429/96-100, 149, 159, 163, 176, 177,
429/186; 206/703-705, 461-463, 471, 485,
206/485.1, 493; D14/203.3-203.8, 217,
D14/240, 248, 250-253, 432, 434, 440, 450,
D14/496; 320/101, 102, 107-115, 120;
D3/201, 207-209, 218, 269, 212, 301,
D3/273, 303; 361/679, 56; 379/426,
379/433.11-433.13, 455; 455/575.1, 575.8
CPC Y02E 60/12; Y02E 60/122; Y02E 6/124;
Y02E 60/50; H01M 2/02; H01M 2/022;
H01M 2/0202; H01M 2/0207; H01M 2/0212;
H01M 2/1061; H01M 2/1022; H01M 2/1055;
H01M 2/1066; H01M 2/105; H01M 2/204;
H01M 10/4257; H01M 10/0436; H01M
10/48

See application file for complete search history.

(56) **References Cited**

U.S. PATENT DOCUMENTS

D622,661 S * 8/2010 Yamada D13/103
D643,809 S * 8/2011 Okuda D13/103
D682,194 S * 5/2013 Jiang D13/103
D685,730 S * 7/2013 Hamm D13/103
D699,670 S * 2/2014 Cooper D13/103
8,741,461 B2 * 6/2014 Yoneda H01M 2/1055
429/100
D710,794 S * 8/2014 Busschaert D13/103
2016/0072106 A1 * 3/2016 Baumgartner H01M 2/1022
320/113

FOREIGN PATENT DOCUMENTS

CN 302278860 S 1/2013
CN 302849194 S 6/2014
EM 002010744-0002 S 3/2012

* cited by examiner

Primary Examiner — Rosemary K Tarcza

Assistant Examiner — Christy Nemeth

(74) *Attorney, Agent, or Firm* — Global IP Counselors,
LLP

(57) **CLAIM**

The ornamental design for a battery, as shown and described.

DESCRIPTION

FIG. 1 is a front perspective view of a battery in accordance with my new design;

FIG. 2 is a rear perspective view of the battery in accordance with my new design;

FIG. 3 is a front elevational view of the battery in accordance with my new design;

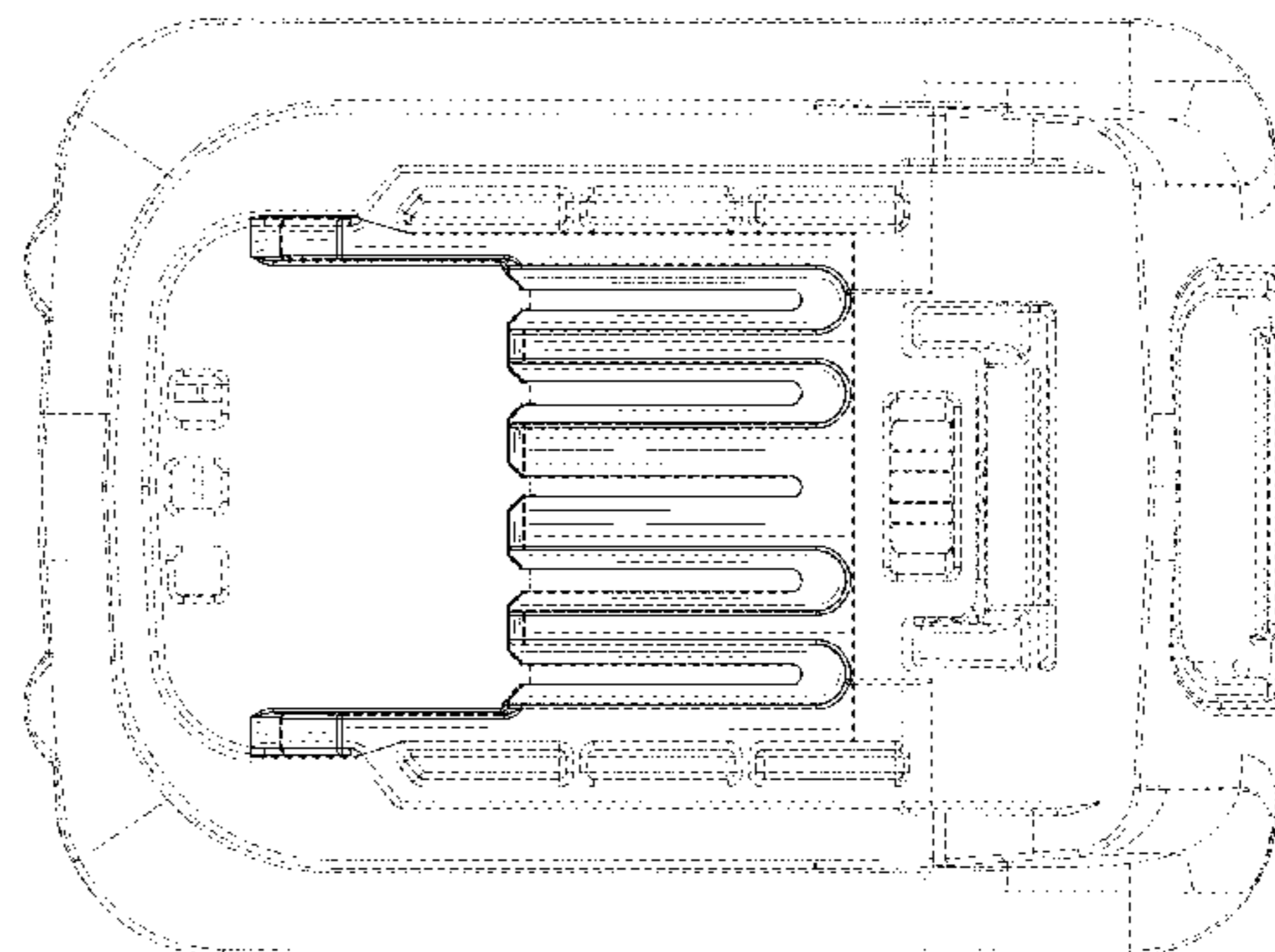
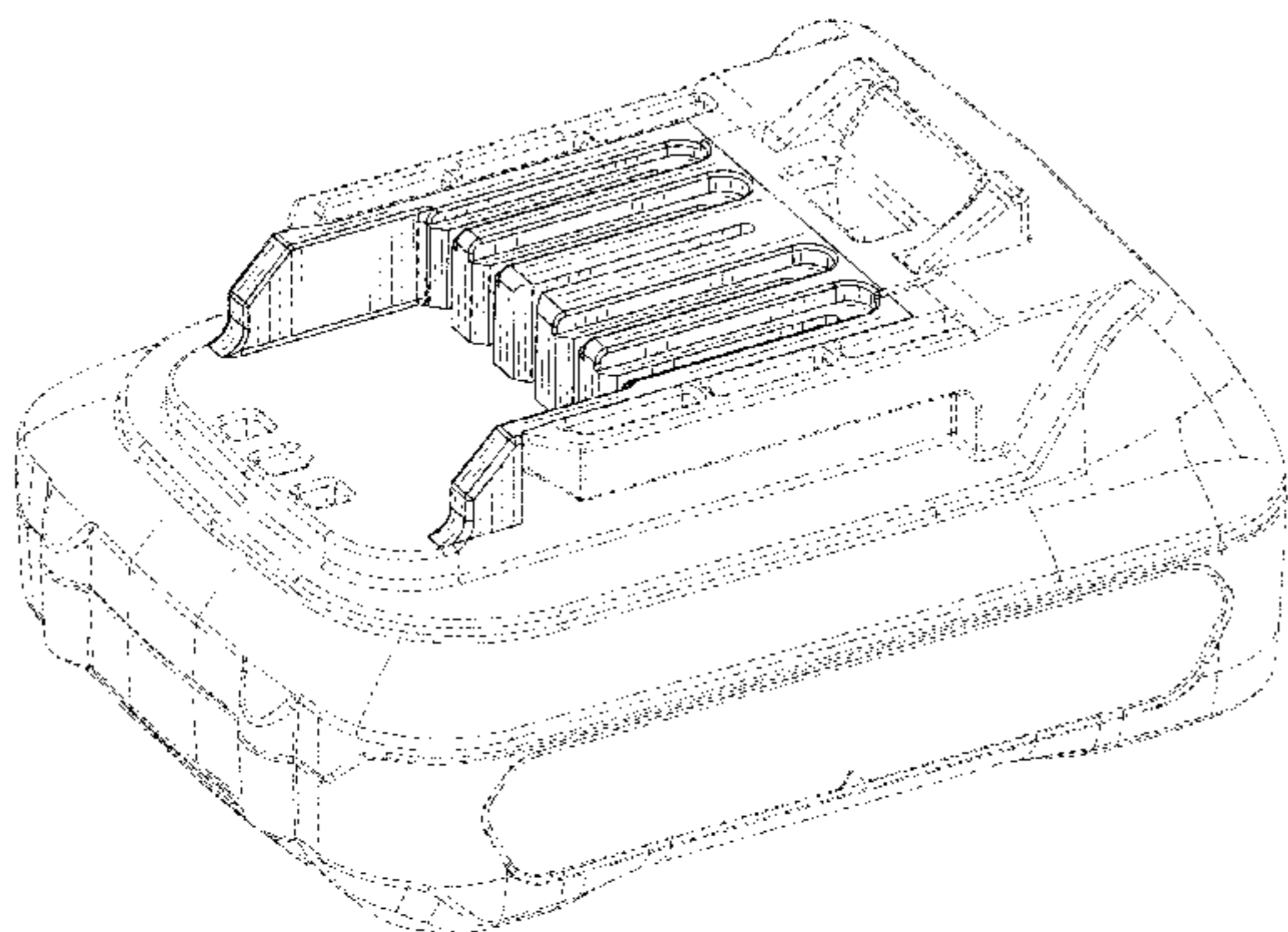
FIG. 4 is a rear elevational view of the battery in accordance with my new design;

FIG. 5 is a left side elevational view of the battery in accordance with my new design; and,

FIG. 6 is a top plan view of the battery in accordance with my new design.

The broken lines in the drawings indicate environmental subject matter and form no part of the claimed design.

1 Claim, 5 Drawing Sheets



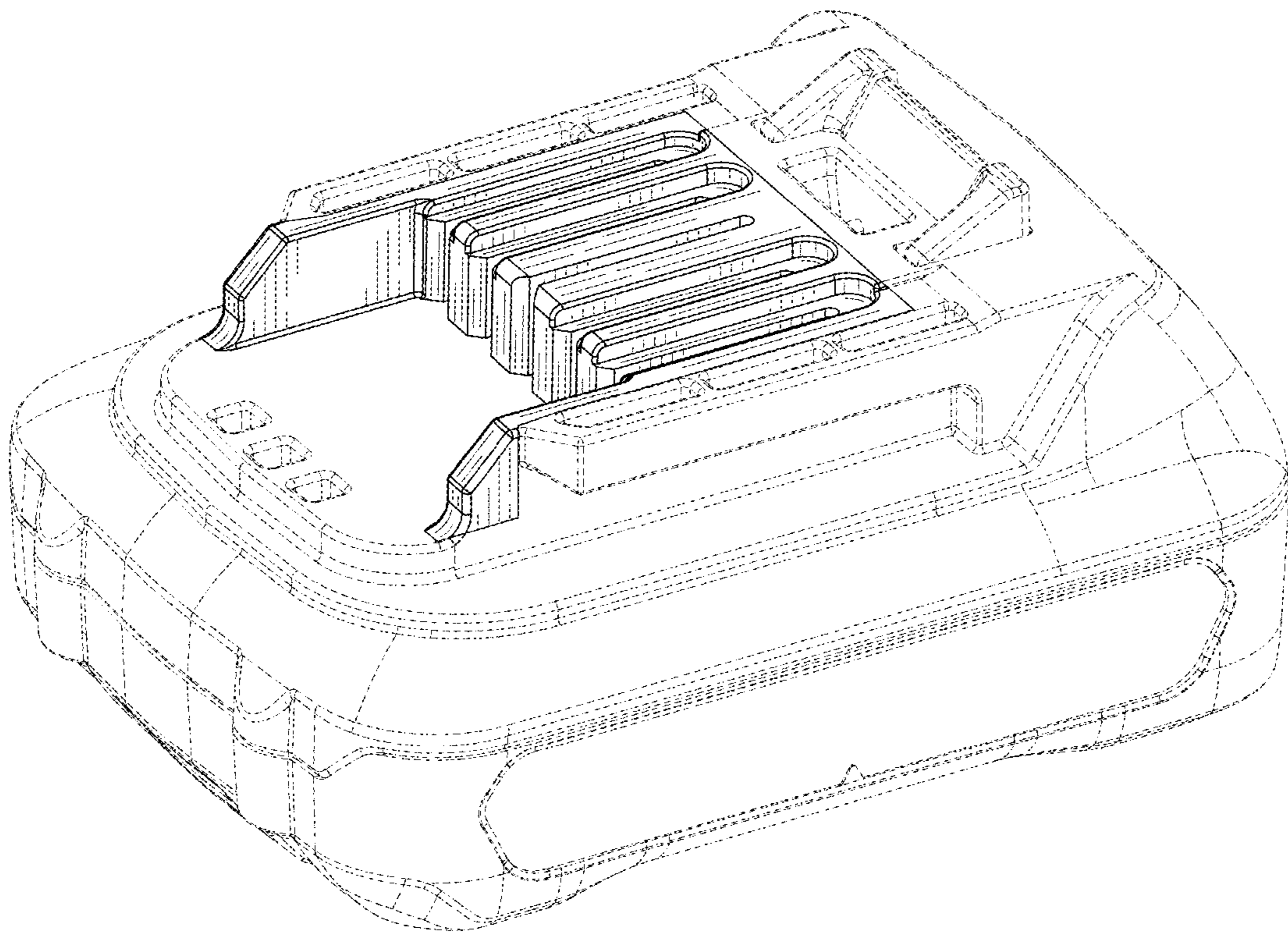


FIG. 1

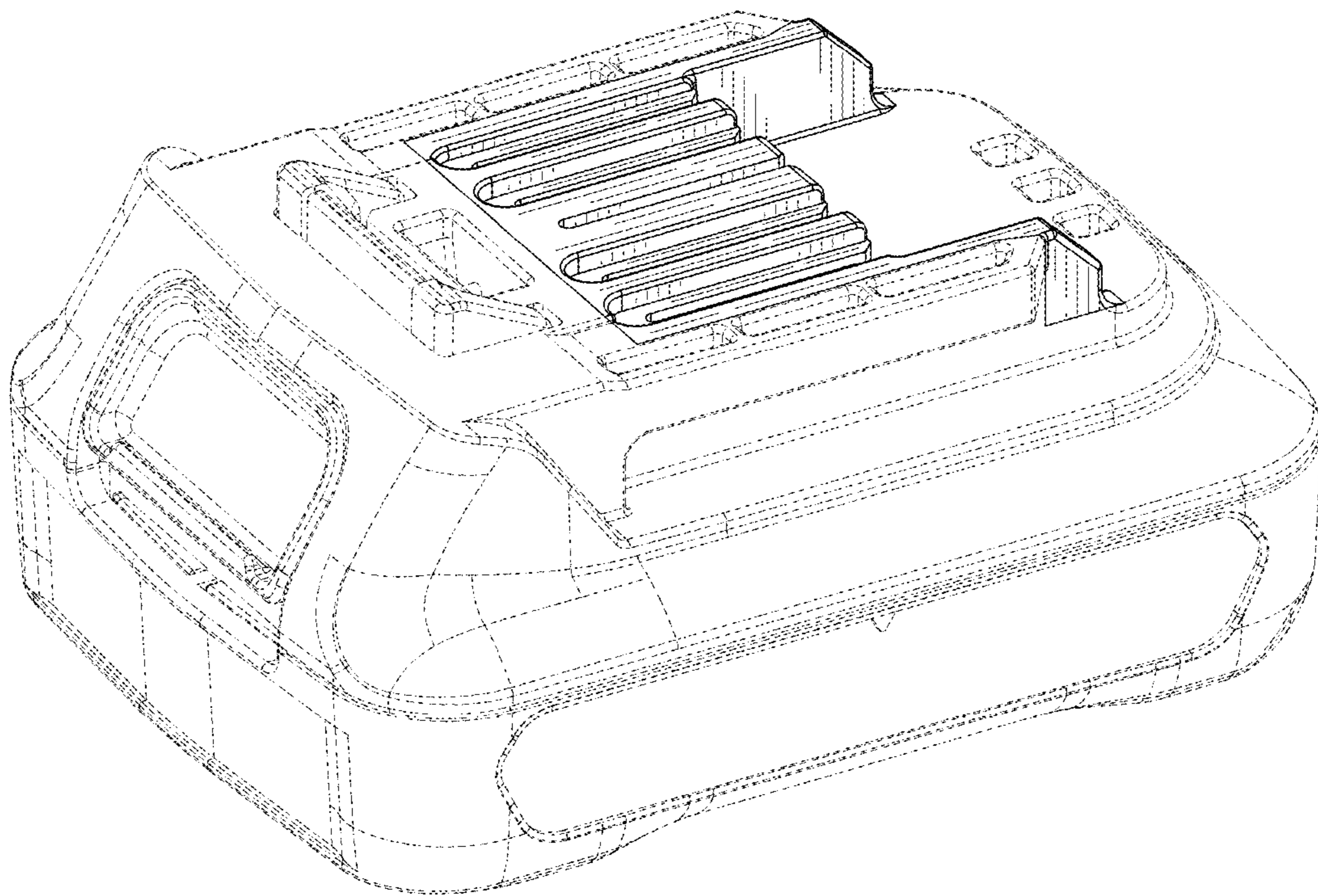


FIG. 2

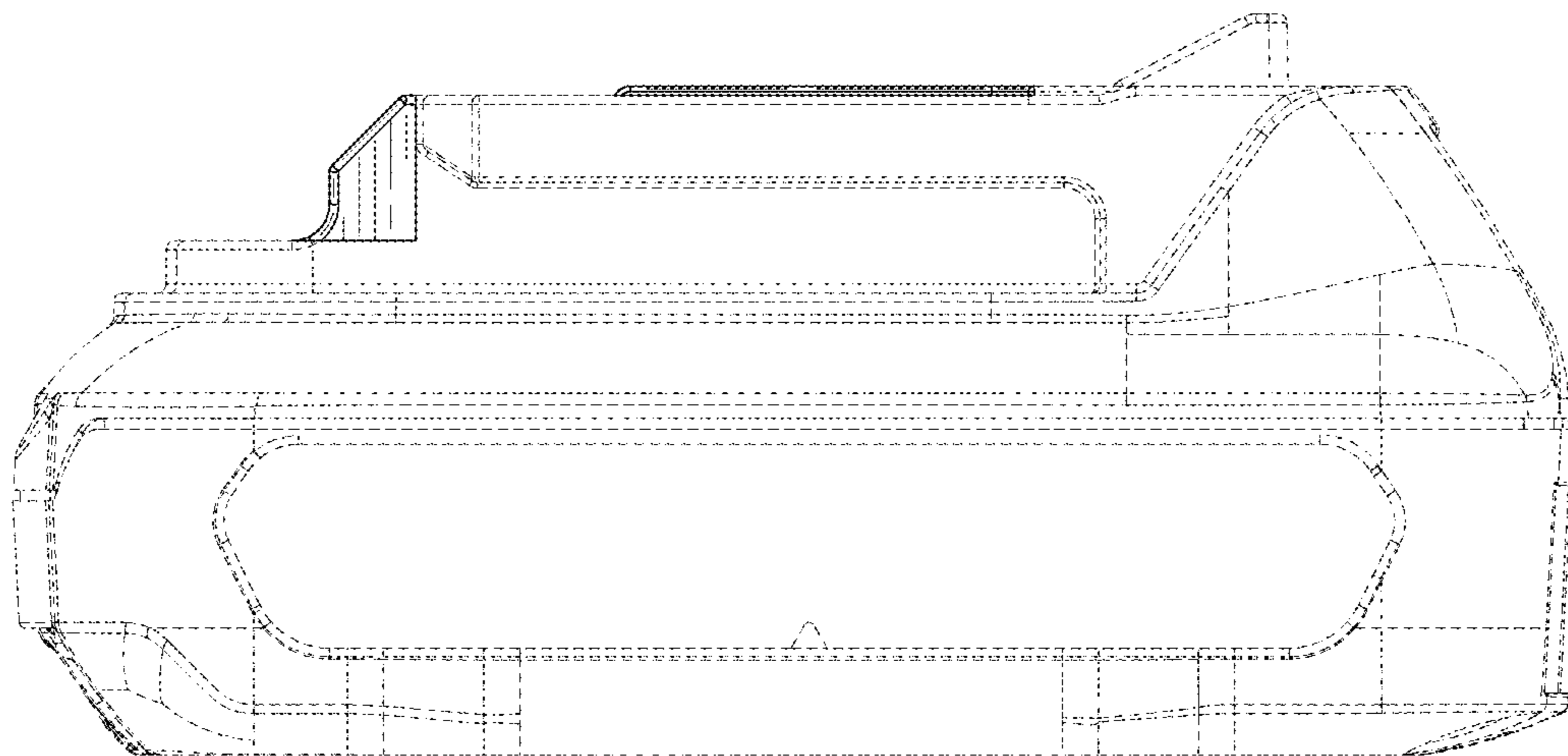


FIG. 3

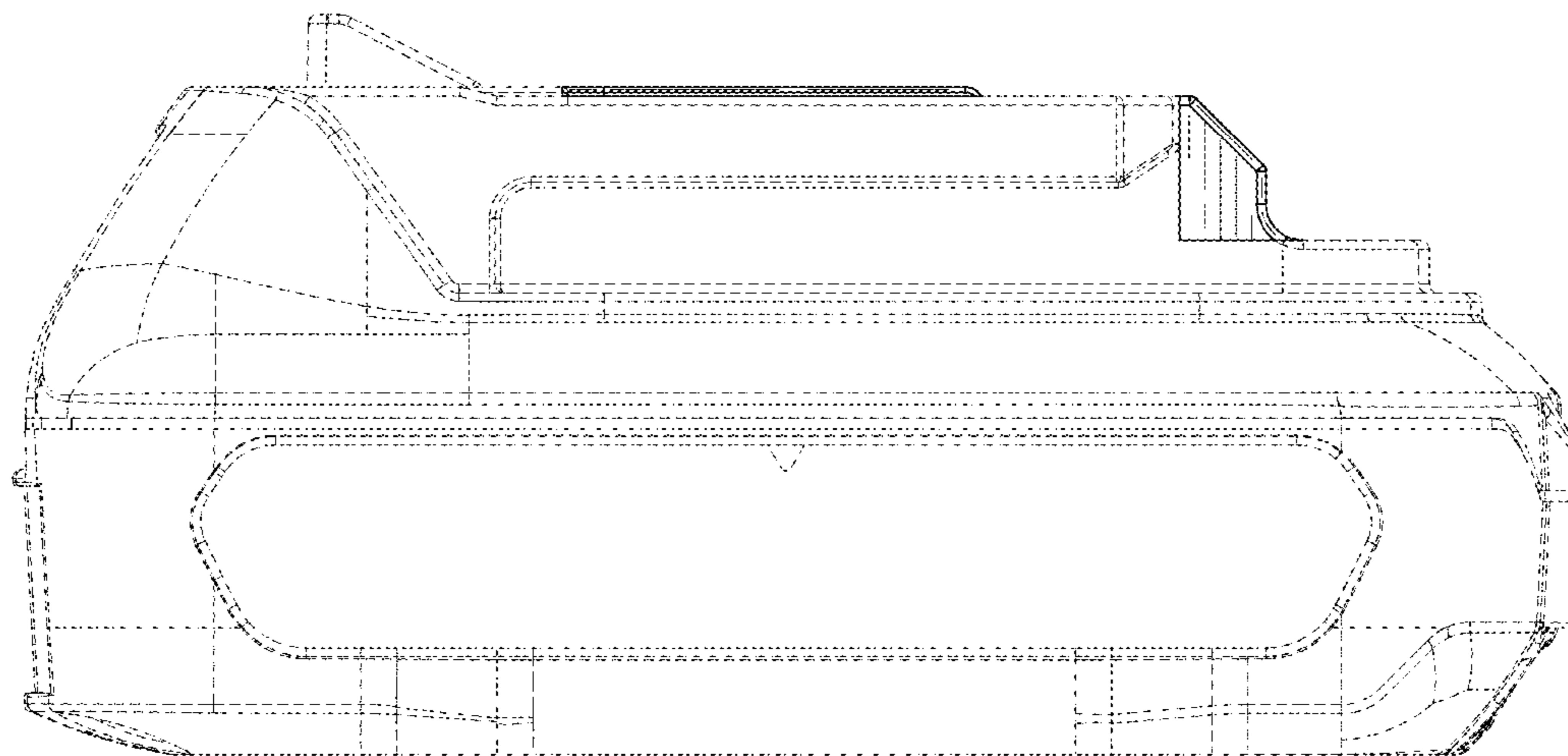


FIG. 4

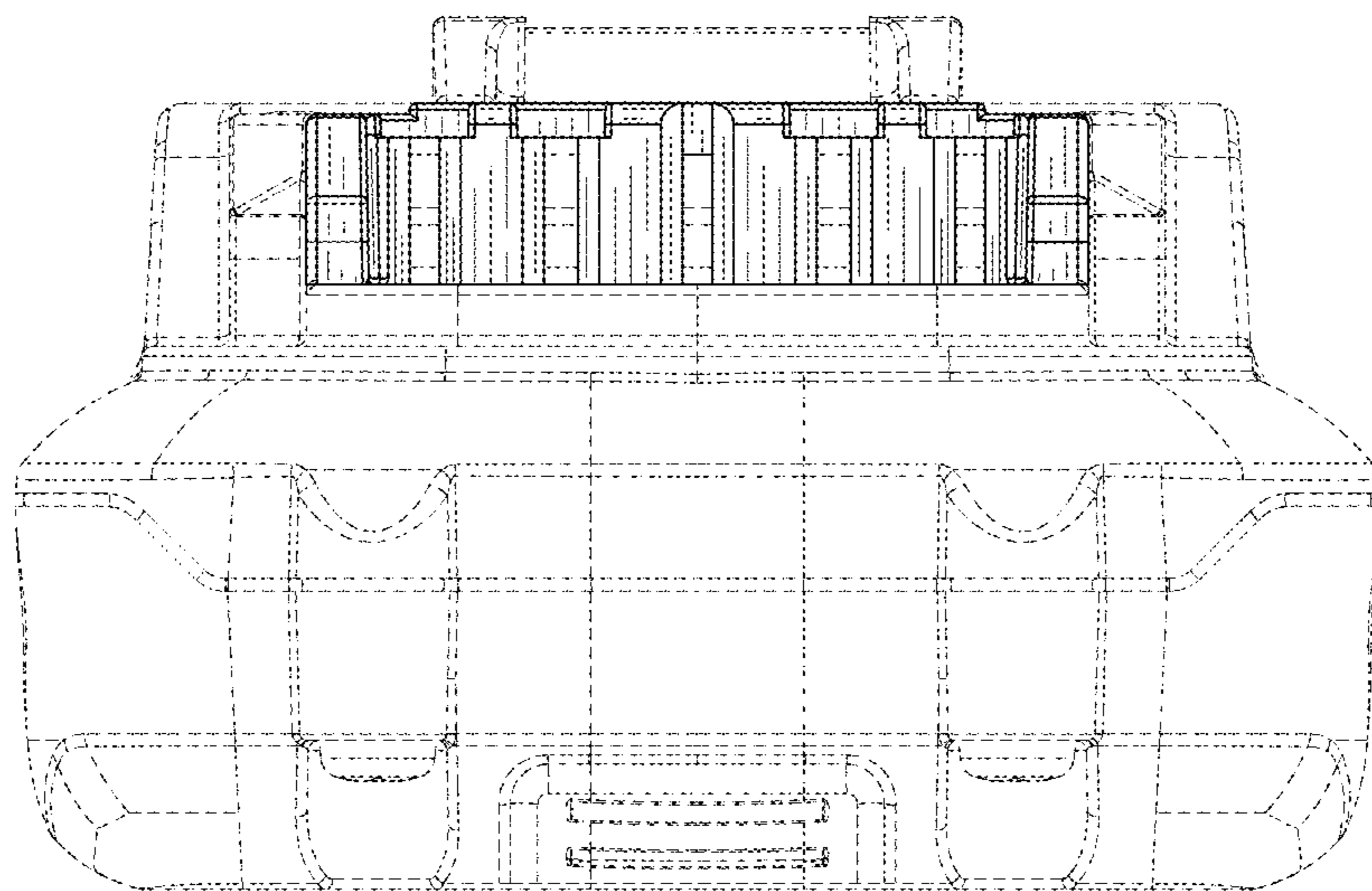


FIG. 5

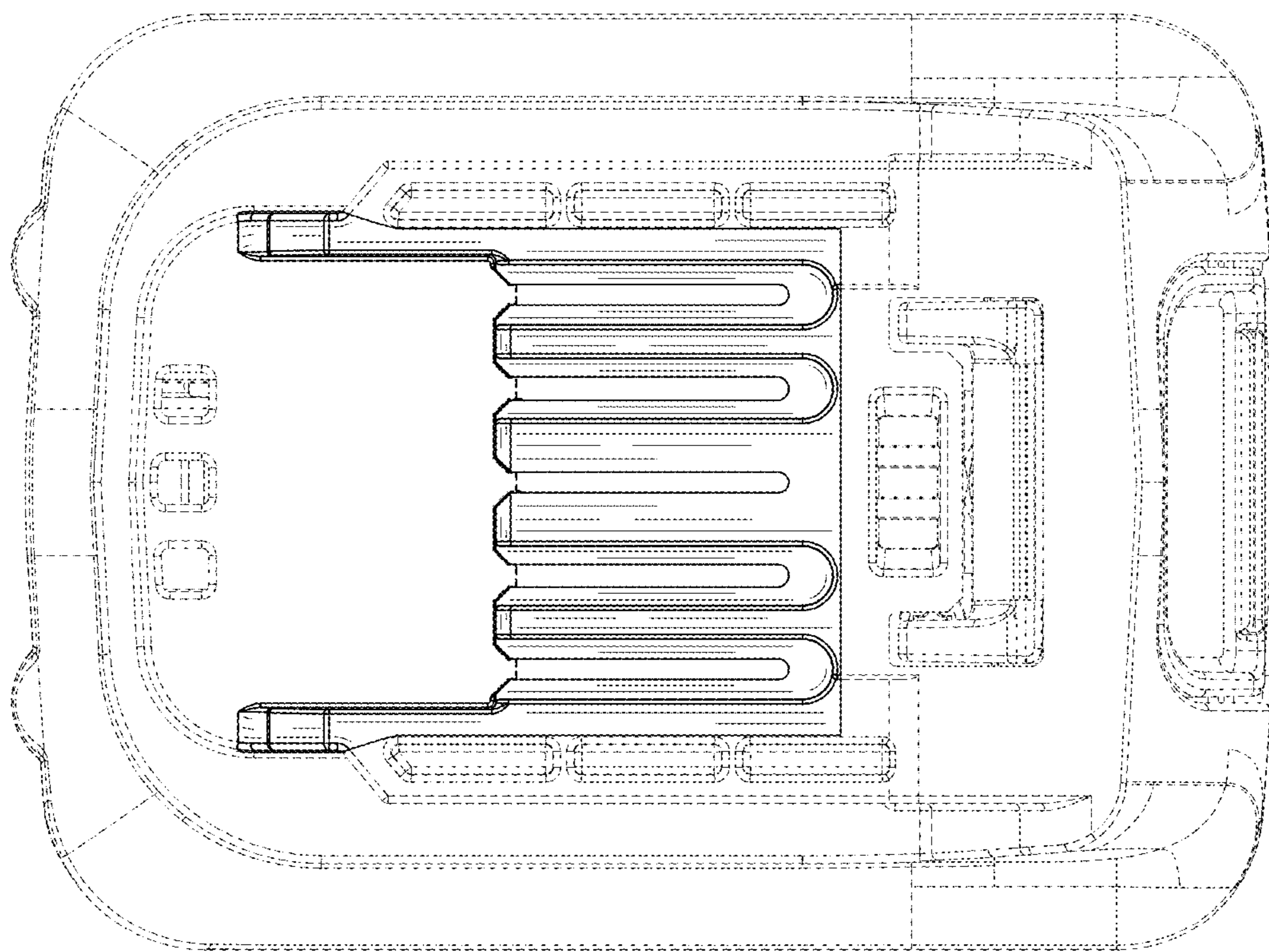


FIG. 6