



US00D770374S

(12) **United States Design Patent** (10) **Patent No.:** **US D770,374 S**
He (45) **Date of Patent:** **** Nov. 1, 2016**

(54) **BATTERY**

(71) Applicant: **Xiaoshan He, Zixing (CN)**

(72) Inventor: **Xiaoshan He, Zixing (CN)**

(**) Term: **14 Years**

(21) Appl. No.: **29/504,198**

(22) Filed: **Oct. 2, 2014**

(51) **LOC (10) Cl.** **13-02**

(52) **U.S. Cl.**
USPC **D13/103**

(58) **Field of Classification Search**
USPC D13/107, 108, 110, 118, 119, 123, 133,
D13/137.1, 184, 199; D14/251, 432, 434;
174/53, 54, 59, 61; 307/11, 150, 151;
320/104, 107, 111, 112, 113, 115, 132,
320/134, 150; 361/679.01; 363/142, 146;
439/131, 172, 626, 628, 638
CPC H01M 8/0252; H01M 8/0276; H01M
8/0282; H01M 8/0286; H01M 8/04022;
H01M 8/0637; H01M 8/243
See application file for complete search history.

(56) **References Cited**

U.S. PATENT DOCUMENTS

3,336,165	A *	8/1967	Brownlee	H01M 2/1055
					429/8
D535,945	S *	1/2007	Towler	D13/119
D542,279	S *	5/2007	Chan	D14/216
D588,579	S *	3/2009	Ross	D14/217
D646,230	S *	10/2011	Natoli	D13/156
D653,619	S *	2/2012	Tien	D13/144
D654,437	S *	2/2012	Fitch	D13/144
D686,258	S *	7/2013	Wu	D15/143
D691,954	S *	10/2013	Lee	D13/144
D697,482	S *	1/2014	Cheng	D13/144
D698,624	S *	2/2014	Chou	D8/354
D704,138	S *	5/2014	Popper	D13/133
D709,933	S *	7/2014	Wu	D15/143

OTHER PUBLICATIONS

“Battery Pod for Bumblebee 3.0” Posted: Jun. 12, 2015. Bumblebee Blog. <http://www.bbauv.com/blog/mechanicalbattery-pod-bumblebee-3-0/>.*

(Continued)

Primary Examiner — Manpreet Matharu

Assistant Examiner — Suzanne Tisdell

(74) *Attorney, Agent, or Firm* — Tarter Krinsky & Drogin LLP

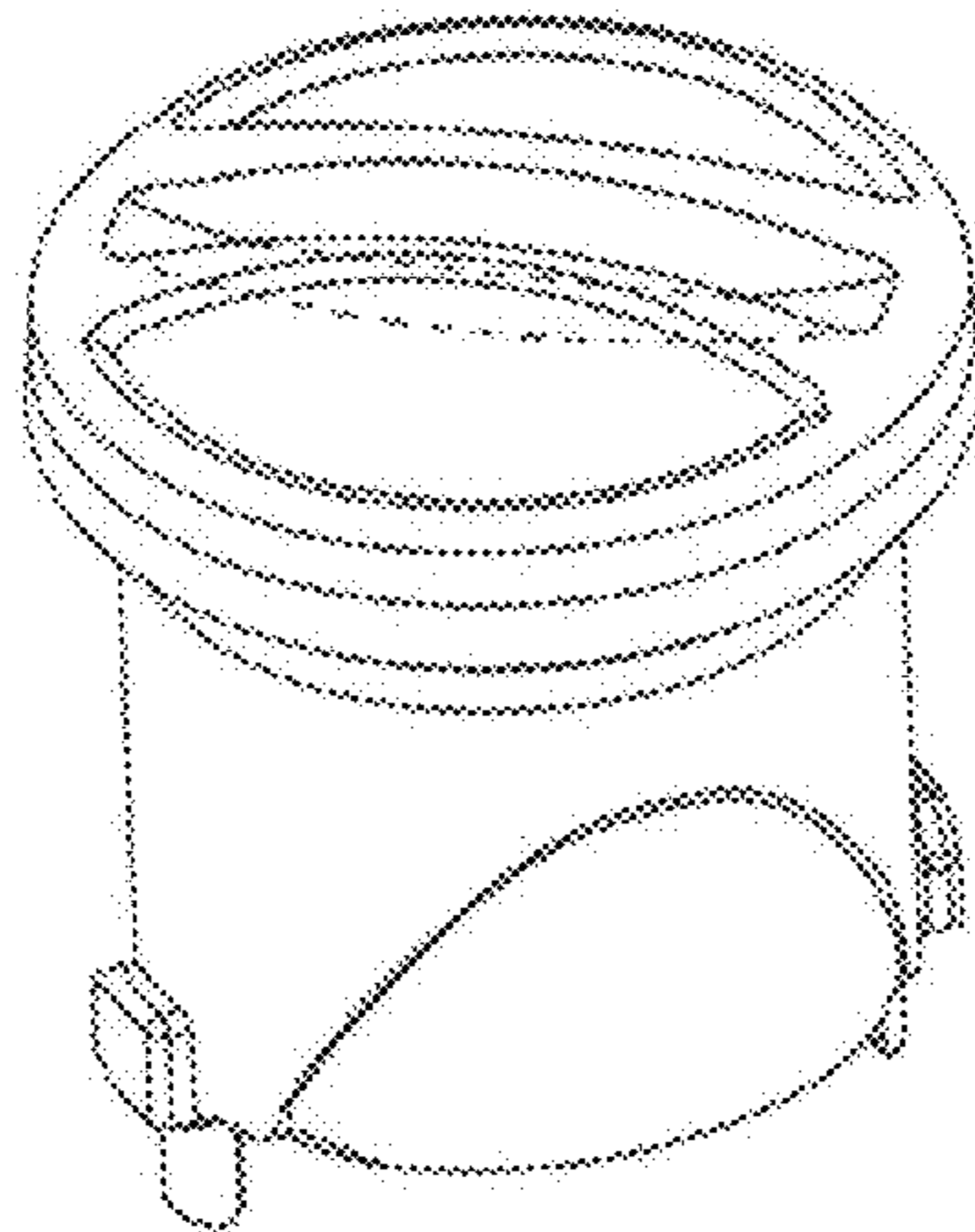
(57) **CLAIM**

The ornamental design for a battery, as shown and described.

DESCRIPTION

FIG. 1 is a top perspective view of a first embodiment of a battery showing my new design;
FIG. 2 is a bottom perspective view thereof;
FIG. 3 is a bottom elevational view thereof;
FIG. 4 is a top elevational view thereof;
FIG. 5 is a left side view thereof;
FIG. 6 is a right side view thereof;
FIG. 7 is a top plan view thereof; and
FIG. 8 is a bottom plan view thereof;
FIG. 9 is a top perspective view of a second embodiment of a battery showing my new design;
FIG. 10 is a bottom perspective view thereof;
FIG. 11 is a bottom elevational view thereof;
FIG. 12 is a top elevational view thereof;
FIG. 13 is a left side view thereof;
FIG. 14 is a right side view thereof;
FIG. 15 is a top plan view thereof; and,
FIG. 16 is a bottom plan view thereof.
The broken lines depict a portion of the battery that forms no part of the claimed design.

1 Claim, 16 Drawing Sheets



(56)

References Cited

“Lithium-ion Battery Pod” Accessed: Dec. 26, 2015. Blueturtle Engineering. <http://www.blueturtleengineering.com/styled-4/index.html>.*

OTHER PUBLICATIONS

“Pod2 GPS and WiFi Pet Tracker” Accessed: Dec. 29, 2015. Podtrackers. <https://www.podtrackers.com/products/pod/>.*

* cited by examiner

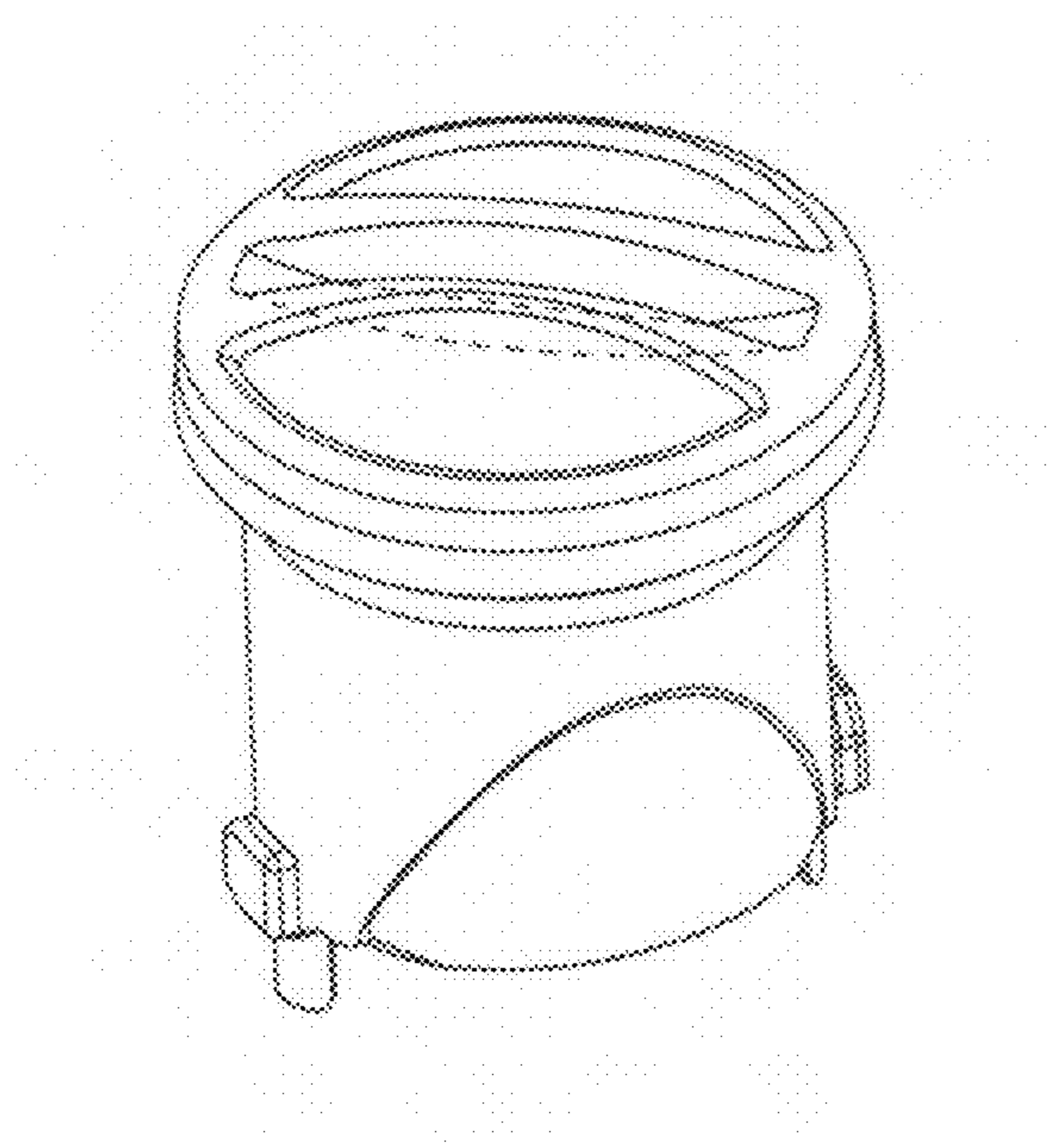


FIG. 1

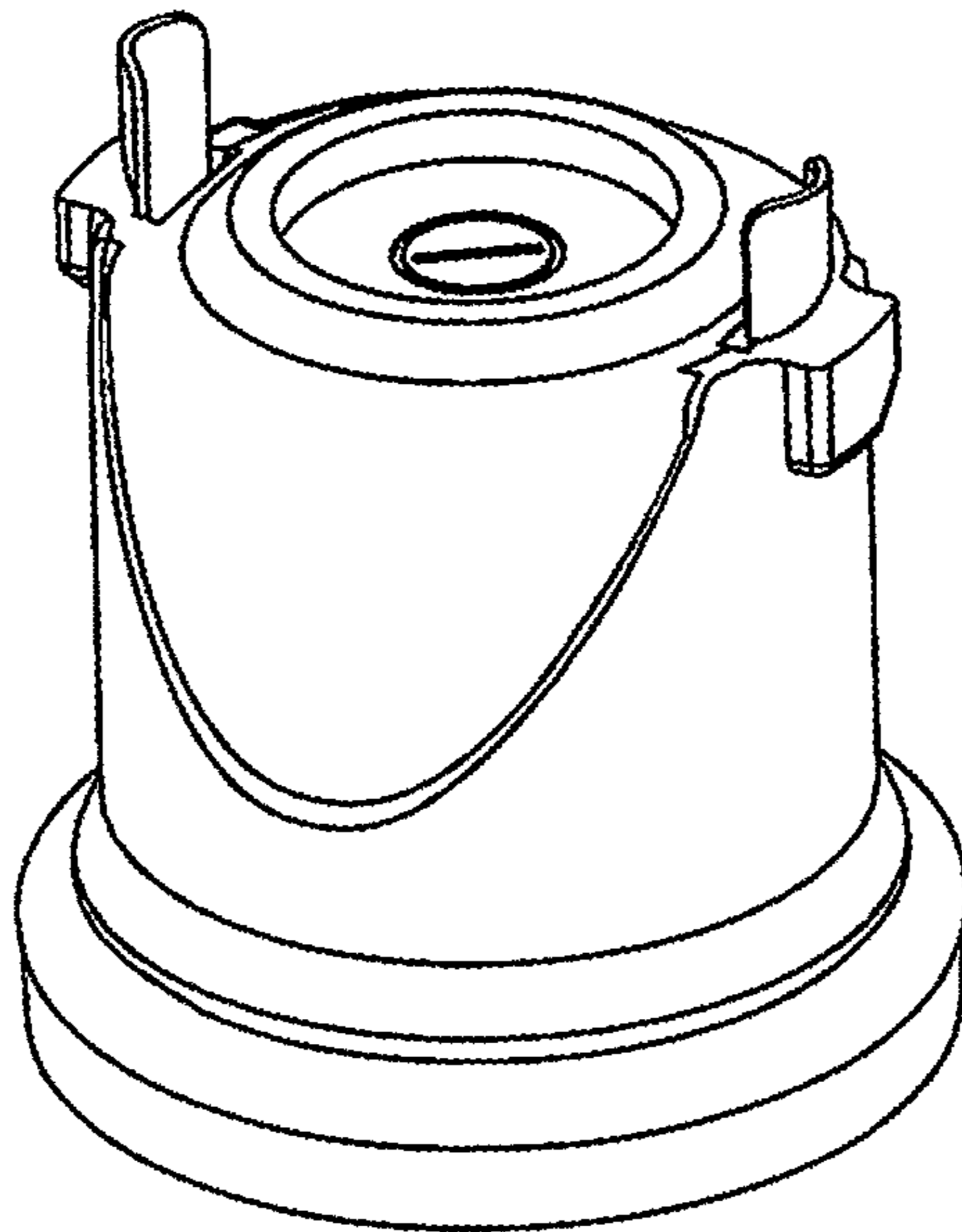


FIG. 2

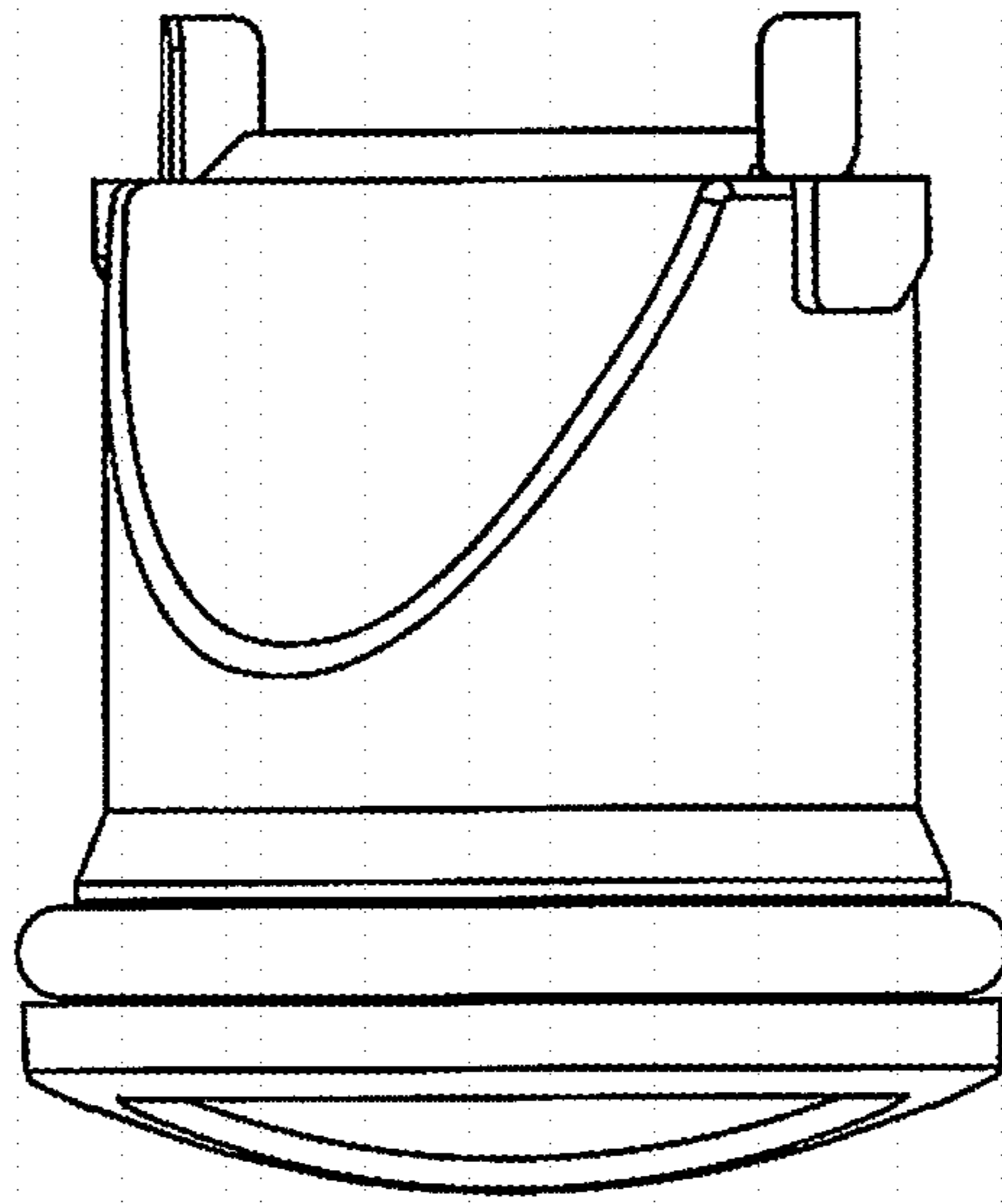


FIG. 3

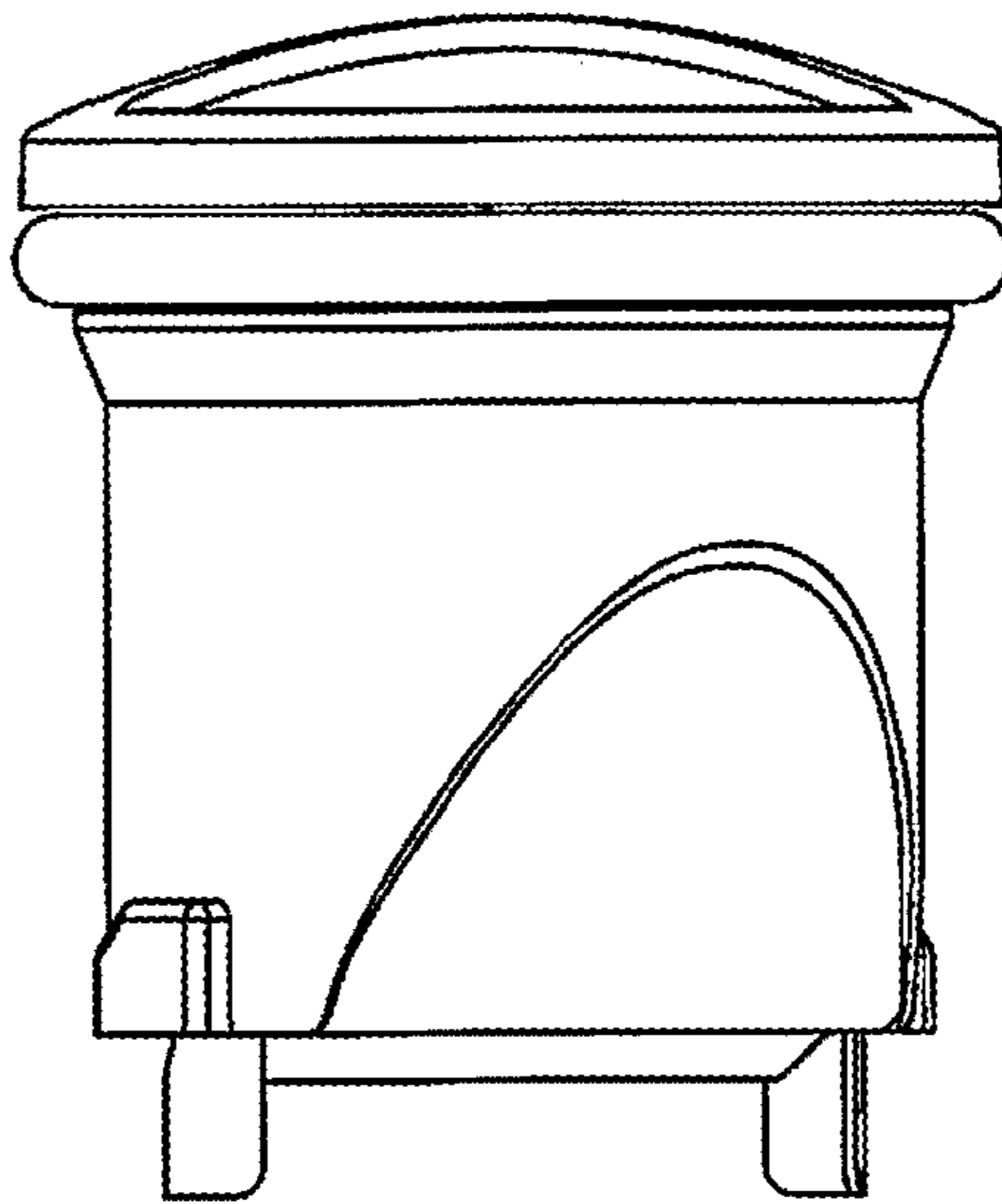


FIG. 4

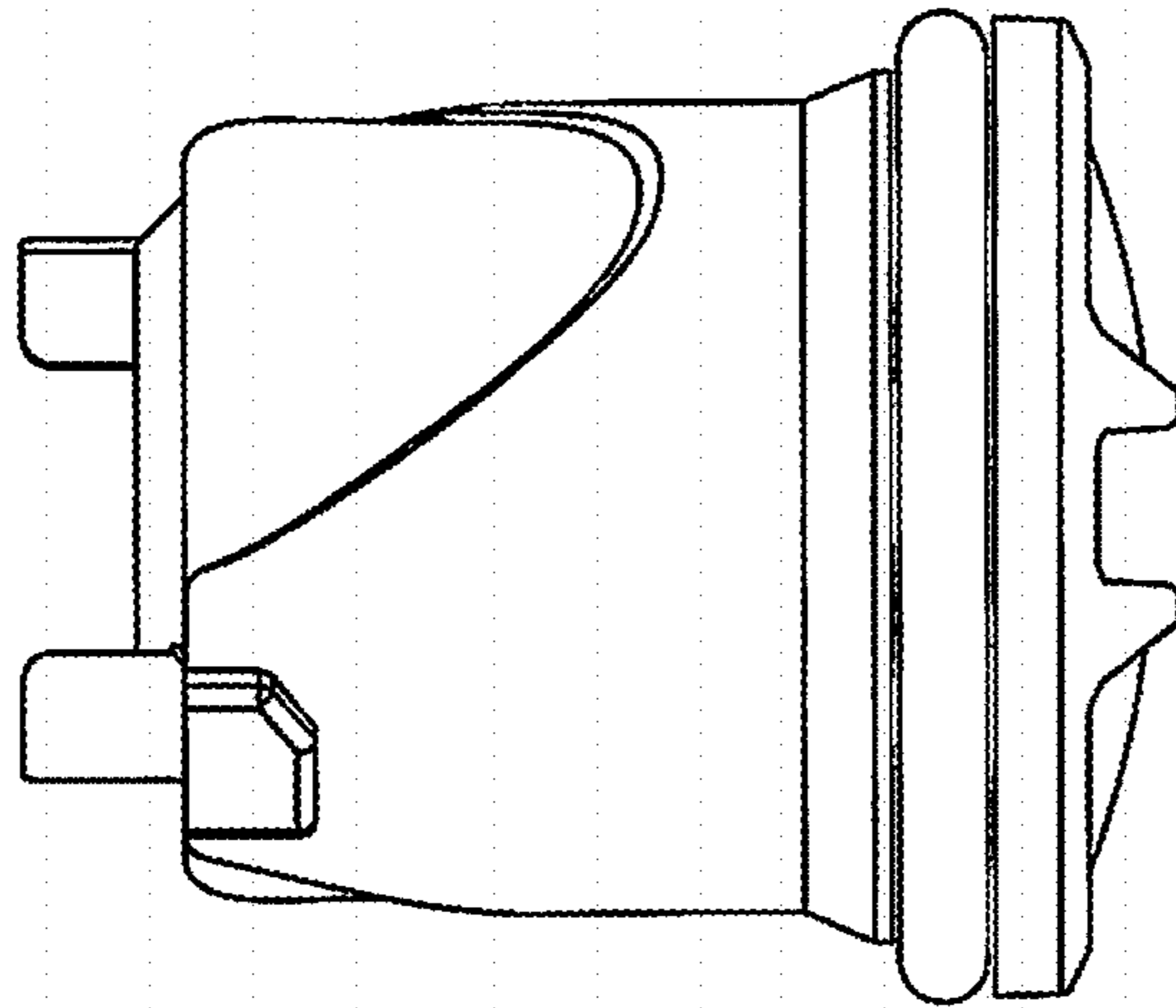


FIG. 5

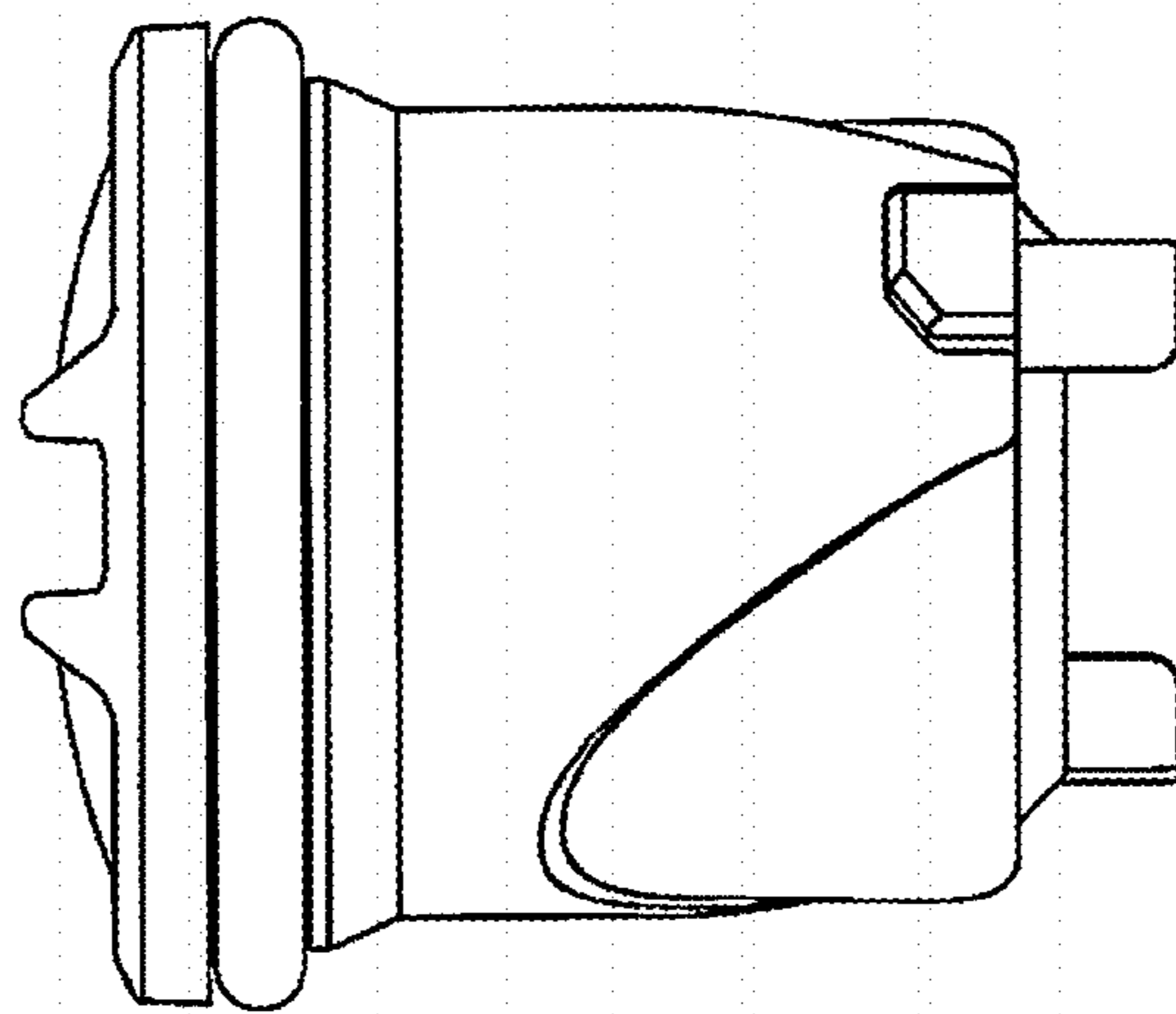


FIG. 6

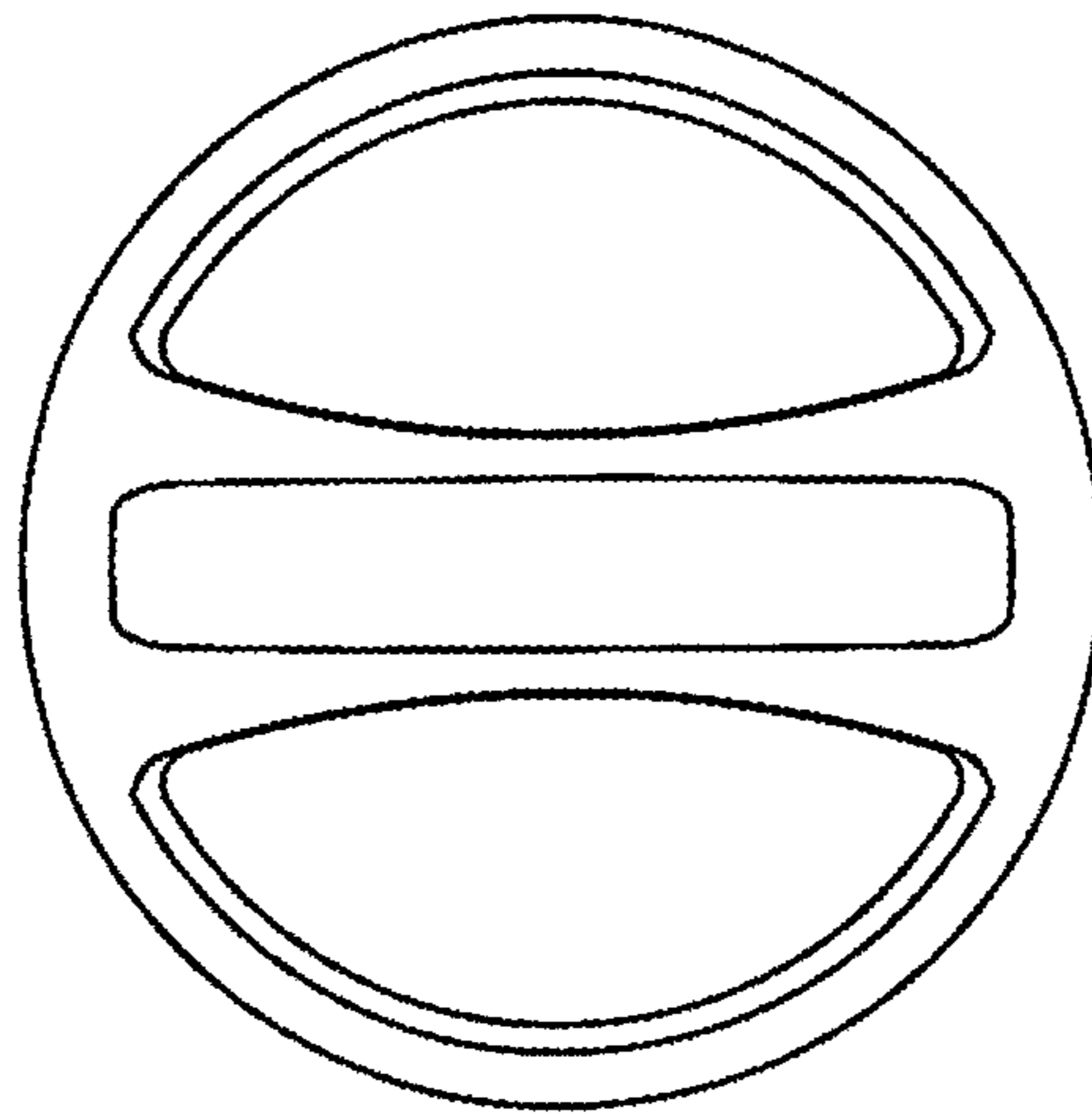


FIG. 7

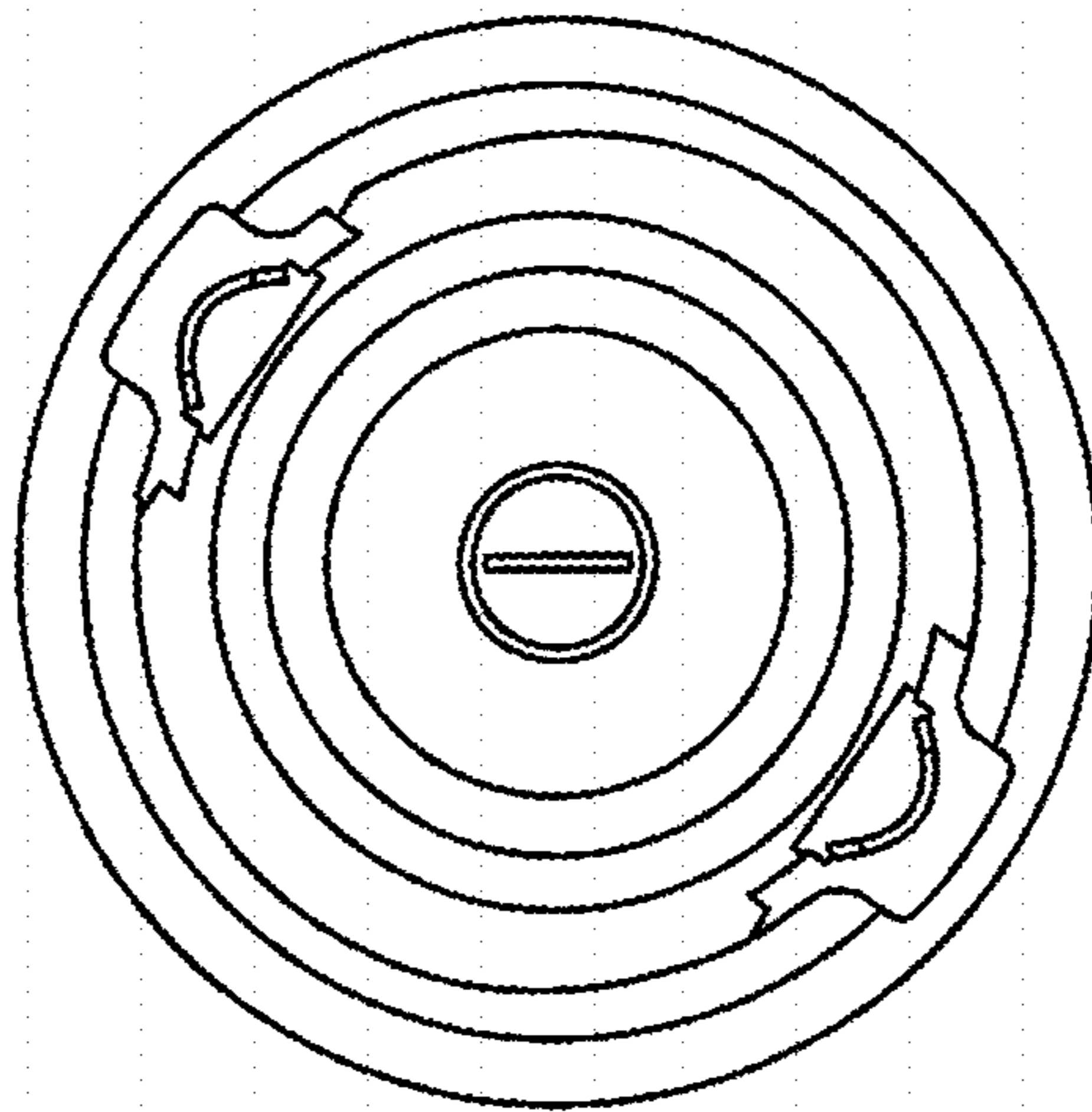


FIG. 8

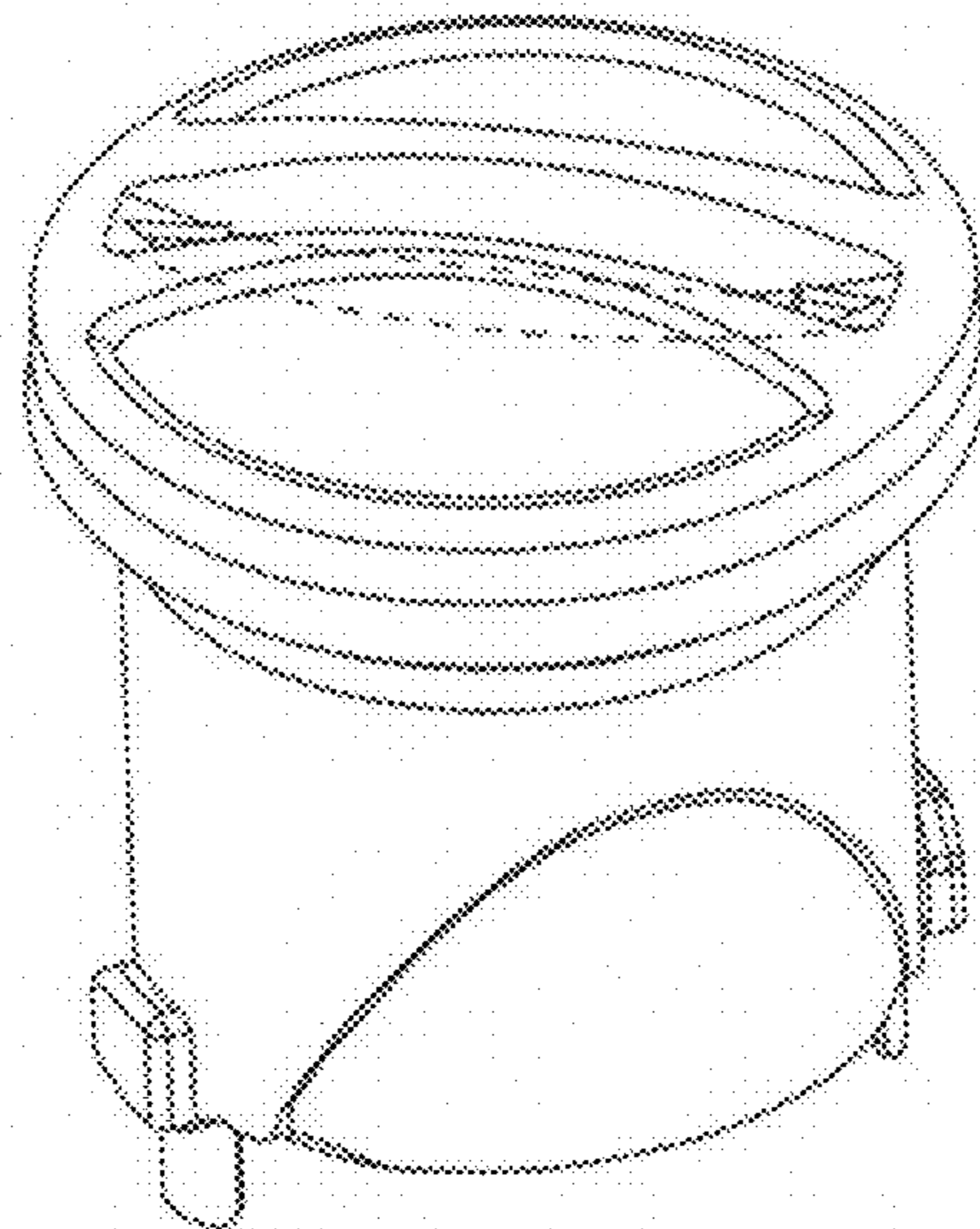


FIG. 9

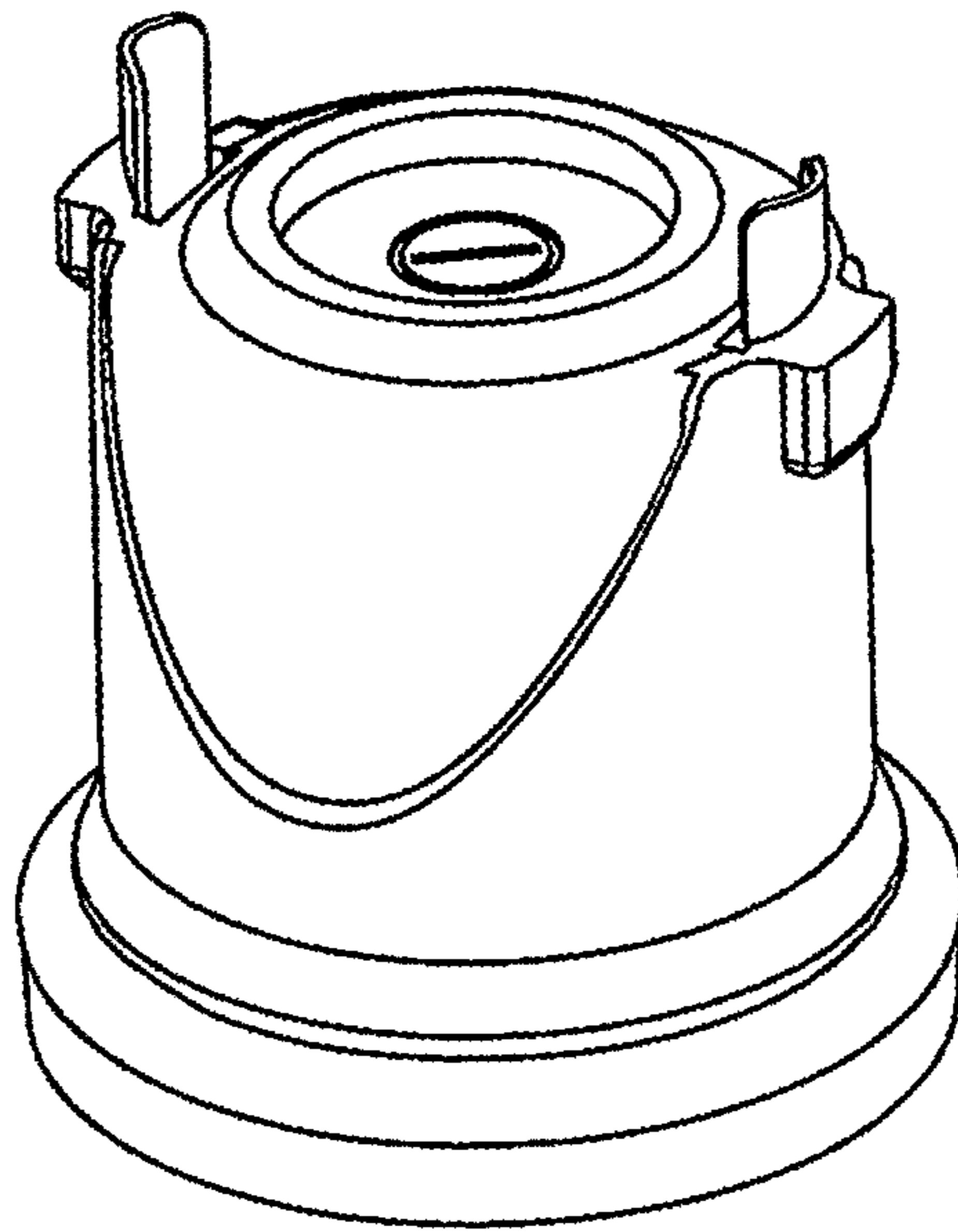


FIG. 10

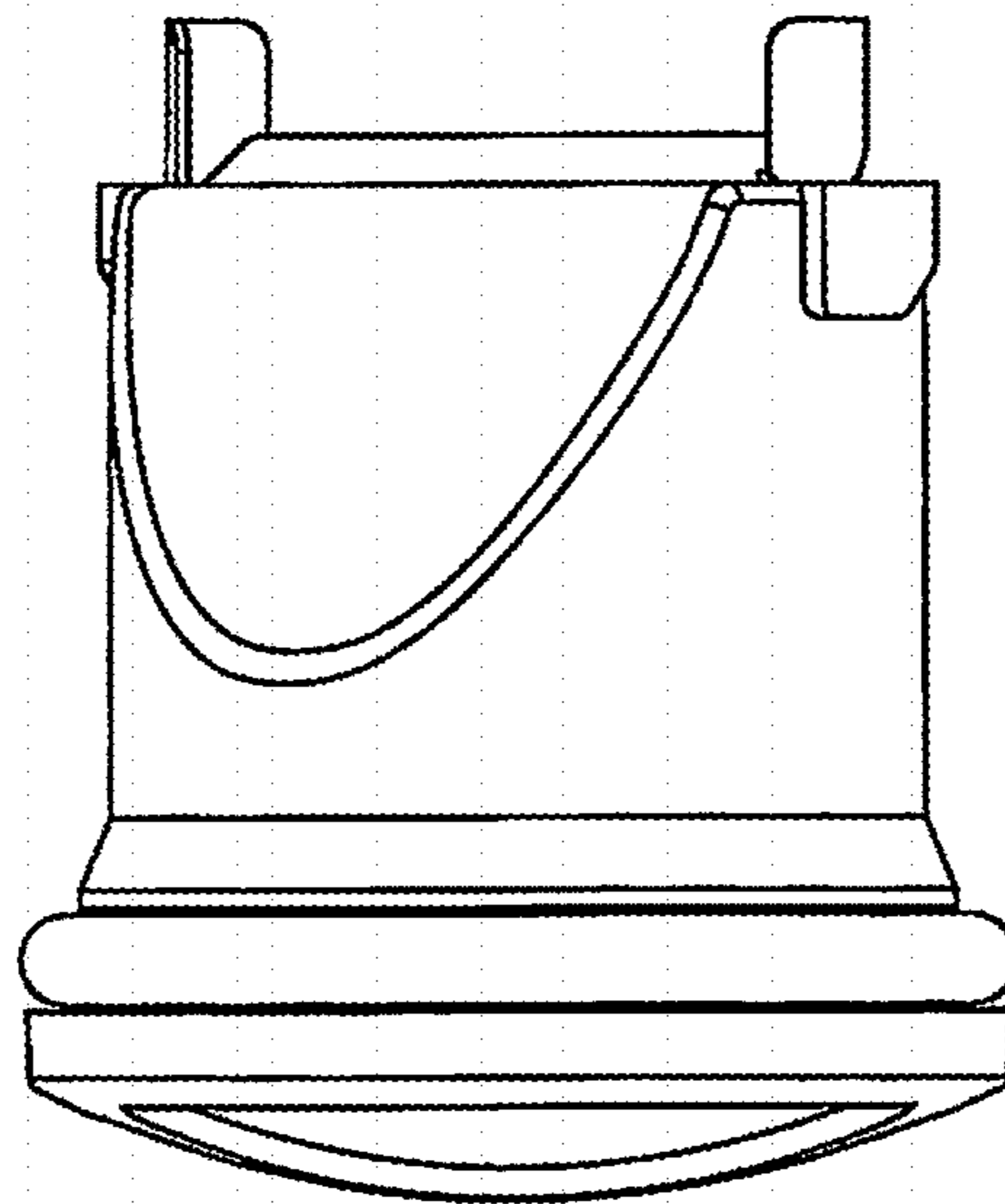


FIG. 11

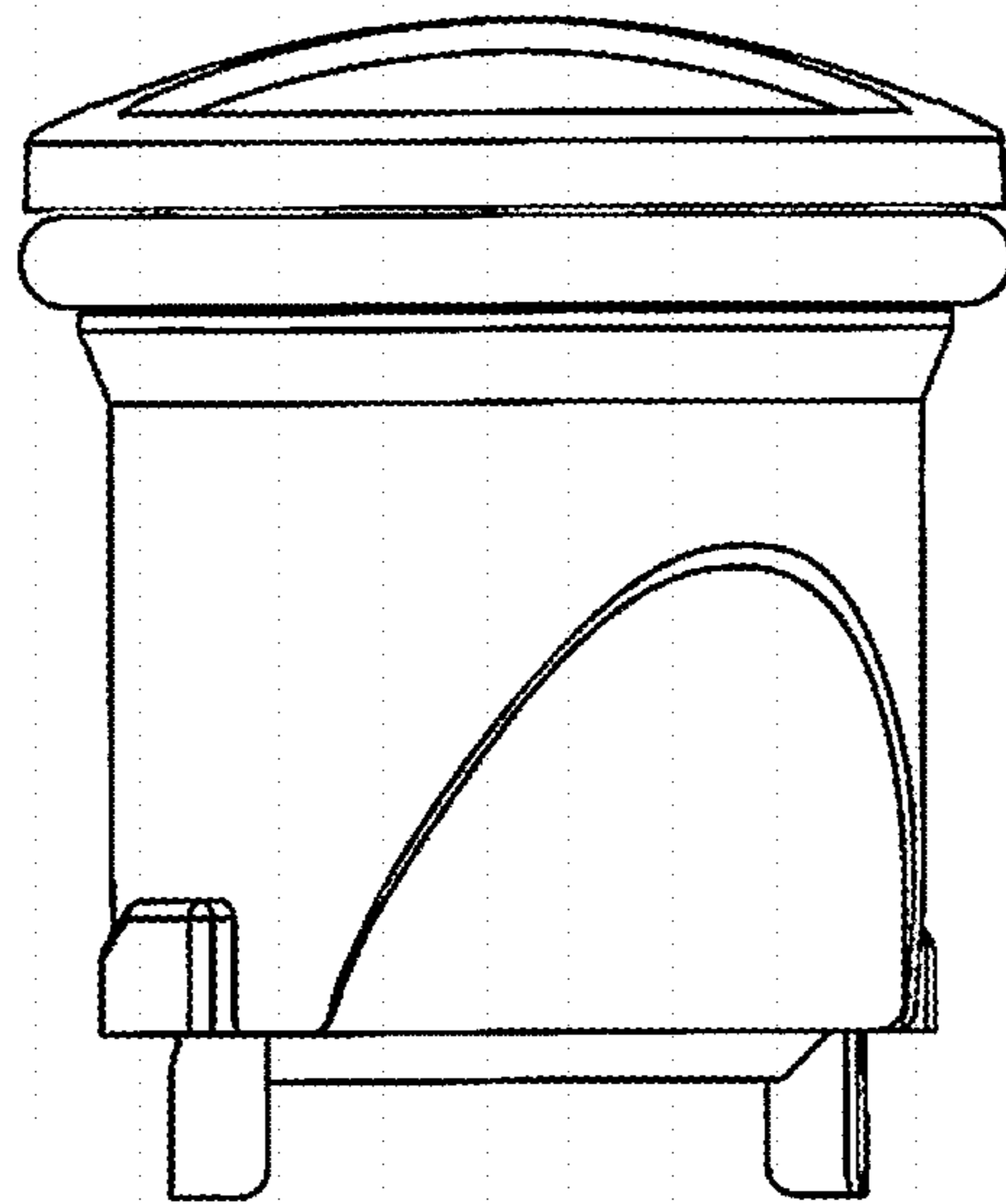


FIG. 12

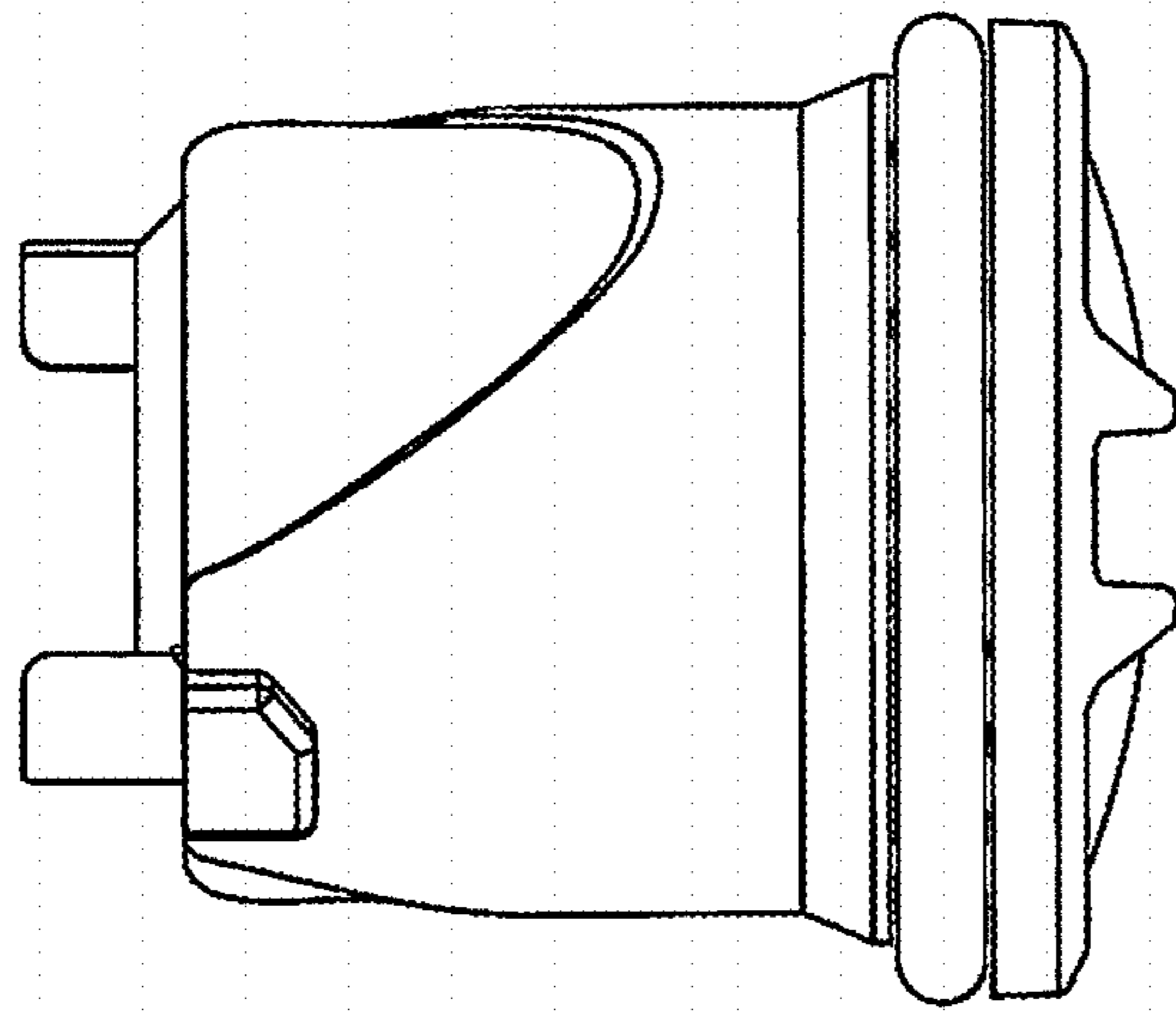


FIG. 13

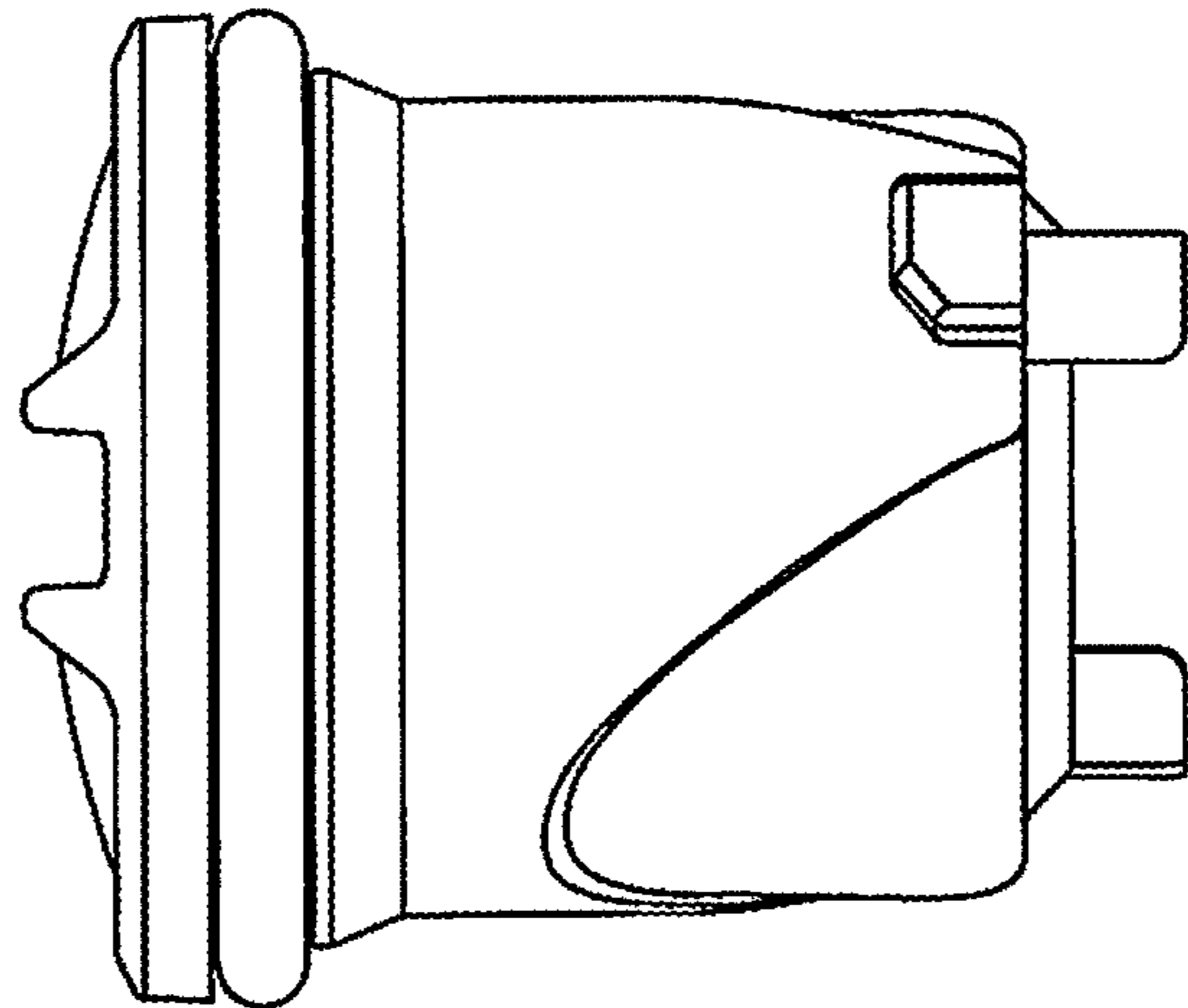


FIG. 14

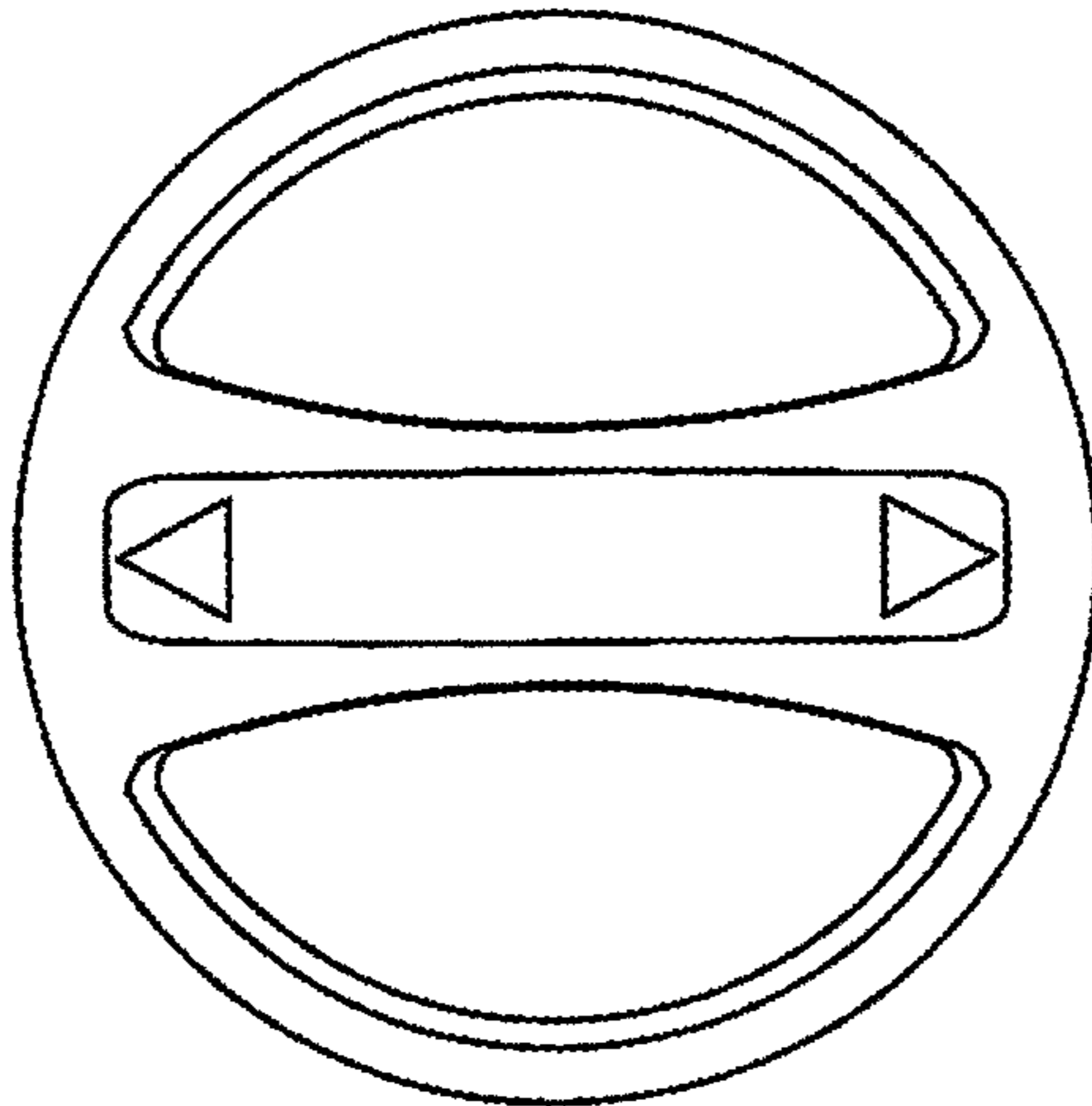


FIG. 15

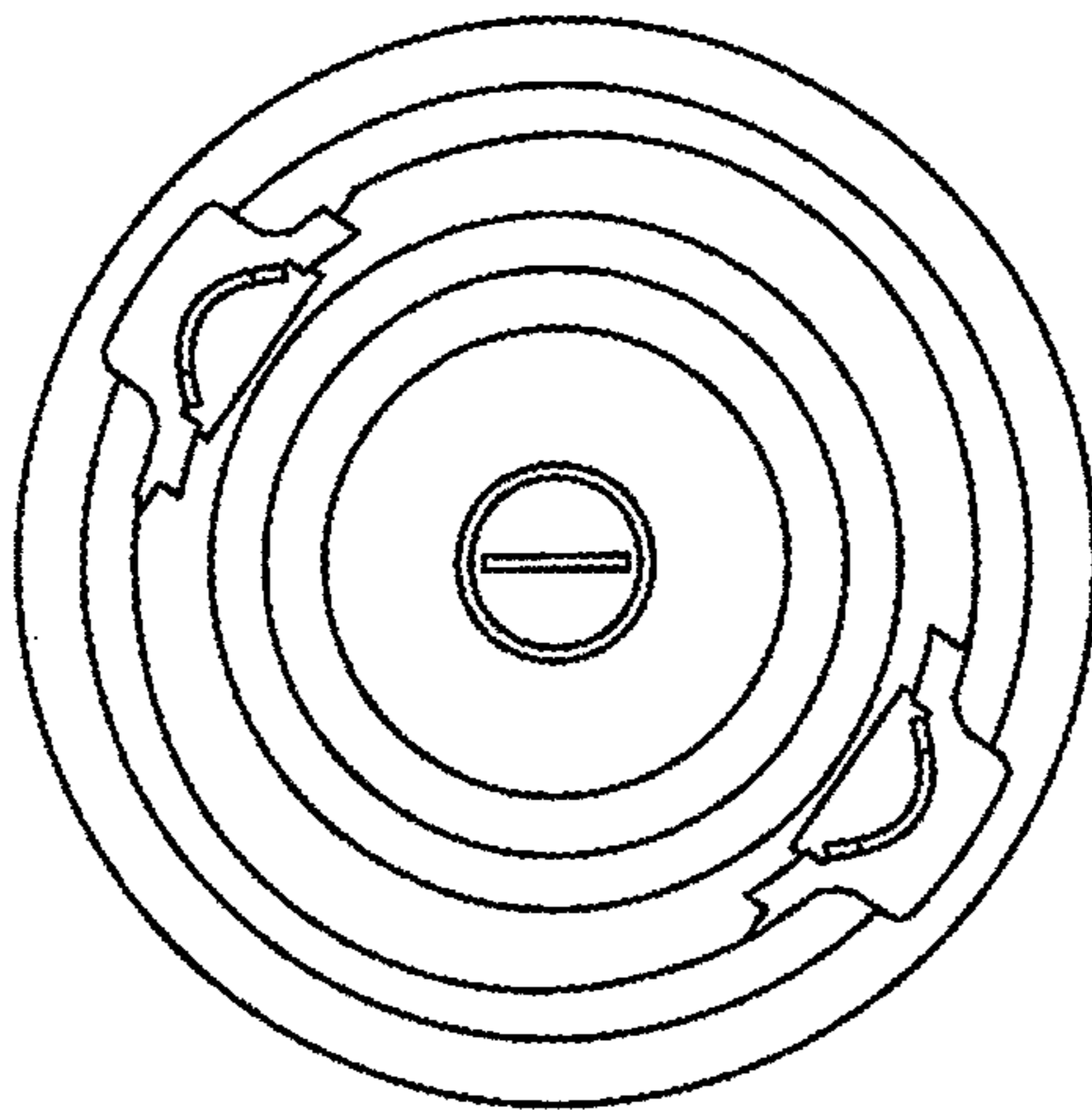


FIG. 16