



US00D770363S

(12) **United States Design Patent**  
**Sareen**

(10) **Patent No.:** **US D770,363 S**

(45) **Date of Patent:** **\*\* Nov. 1, 2016**

(54) **TIRE TREAD**

(71) Applicant: **Omni United (S) Pte Ltd.**, Singapore  
(SG)

(72) Inventor: **Gajendra Singh Sareen**, Singapore  
(SG)

(73) Assignee: **Omni United (S) Pte Ltd.**, Singapore  
(SG)

(\*\*) Term: **15 Years**

(21) Appl. No.: **29/547,006**

(22) Filed: **Nov. 30, 2015**

(51) **LOC (10) Cl.** ..... **12-15**

(52) **U.S. Cl.**  
USPC ..... **D12/523**

(58) **Field of Classification Search**  
USPC ..... D12/204–213, 500  
CPC ..... B60B 7/00; B60B 7/02; B60B 7/04;  
B60B 7/01; B60B 7/06; B60B 3/02; B60B  
3/04; B60B 3/06; B60B 3/10; B60B 1/00;  
B60B 1/08; B60B 1/10; B60B 1/12  
See application file for complete search history.

(56) **References Cited**

**U.S. PATENT DOCUMENTS**

D426,502 S	6/2000	O'Neill et al.	
D460,402 S *	7/2002	Ishida .....	D12/523
D473,513 S	4/2003	Welbes	
D473,514 S	4/2003	Hitzky et al.	
D477,565 S	7/2003	Terver et al.	
D501,179 S *	1/2005	Iga .....	D12/518
D531,116 S	10/2006	Heinen et al.	
D558,125 S *	12/2007	Miyabe .....	D12/518
D584,214 S *	1/2009	Mukai .....	D12/519
D584,680 S	1/2009	Hutz	

D586,734 S	2/2009	Bindner et al.	
D588,984 S	3/2009	Lee	
D604,231 S	11/2009	Hada	
D610,970 S	3/2010	You	
D619,958 S	7/2010	Maxwell	
D622,655 S *	8/2010	Ohashi .....	D12/519
D646,626 S	10/2011	Murata	
D650,322 S *	12/2011	Takahashi .....	D12/519
D661,241 S *	6/2012	Sareen .....	D12/515
D664,497 S *	7/2012	Sareen .....	D12/531
D667,359 S *	9/2012	Ishida .....	D12/523
D669,019 S *	10/2012	Sareen .....	D12/531
D709,024 S	7/2014	Shin et al.	
D715,214 S *	10/2014	Fontaine .....	D12/523

(Continued)

*Primary Examiner* — Stacia Cadmus

(74) *Attorney, Agent, or Firm* — Perkins Coie LLP

(57) **CLAIM**

The ornamental design for a tire tread, as shown and described.

**DESCRIPTION**

FIG. 1 is a perspective view of a tire tread, showing my new design;

FIG. 2 is a front view thereof;

FIG. 3 is a side view thereof;

FIG. 4 is an enlarged perspective view of a section of the tire tread defined by lines 4-4 in FIG. 1;

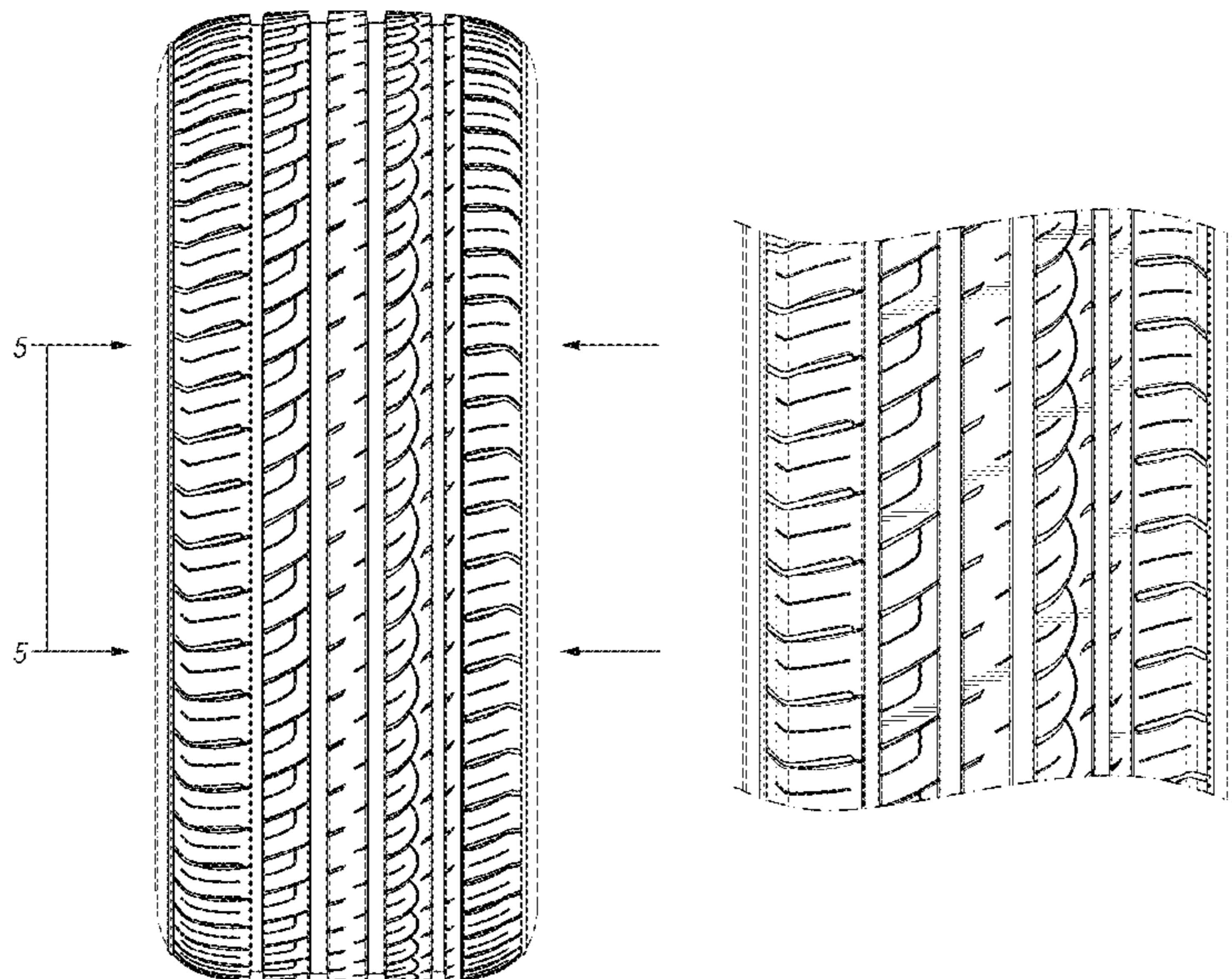
FIG. 5 is an enlarged front view of a section of the tire tread as defined by lines 5-5 in FIG. 2; and,

FIG. 6 is an enlarged side view of a section of the tire tread as defined by lines 6-6 in FIG. 3.

The broken lines in FIGS. 1-6 show portions of the tire tread or tire which form no part of the claimed design.

The dash dot lines on either side of the tire tread section in FIGS. 4-6 is for the purpose of illustrating the boundary of the claimed design and form no part thereof.

**1 Claim, 6 Drawing Sheets**



# US D770,363 S

Page 2

---

(56)

## References Cited

### U.S. PATENT DOCUMENTS

D728,464 S     5/2015   Kudo et al.

D732,462 S \*   6/2015   Bindner ..... D12/523  
D737,751 S \*   9/2015   Bourel ..... D12/521  
D755,112 S \*   5/2016   Jingjing ..... D12/523

\* cited by examiner

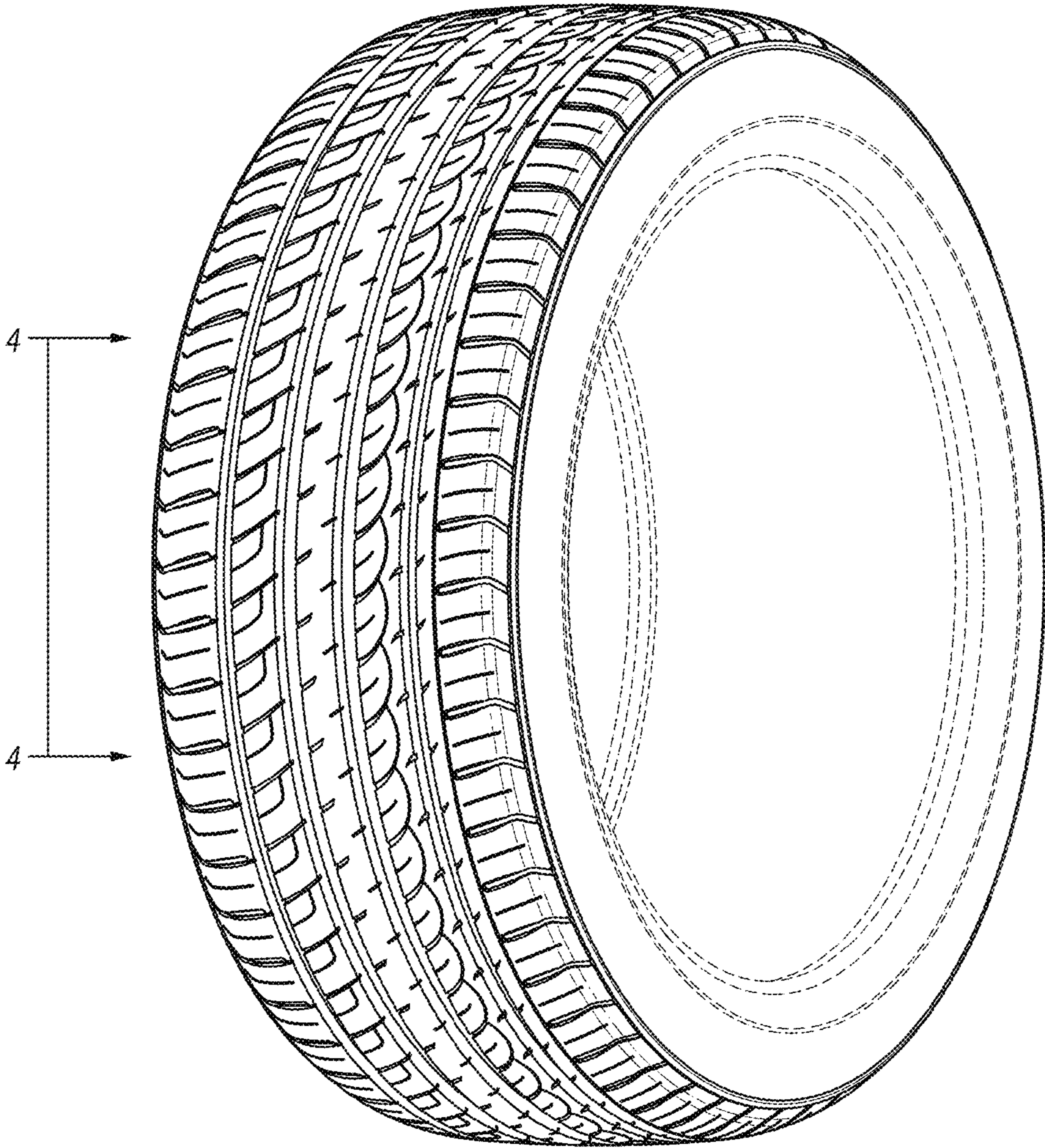


FIG. 1

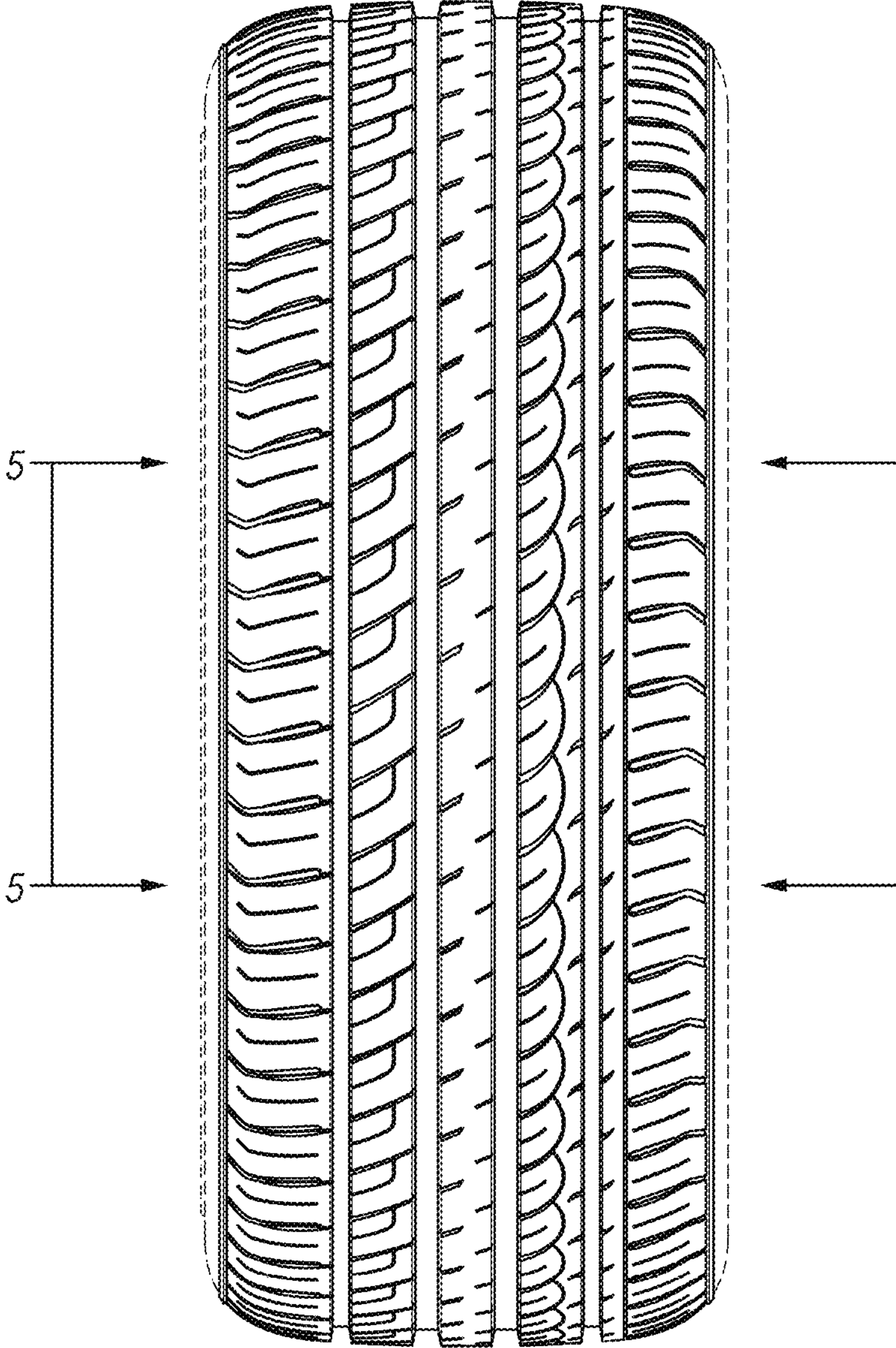


FIG. 2

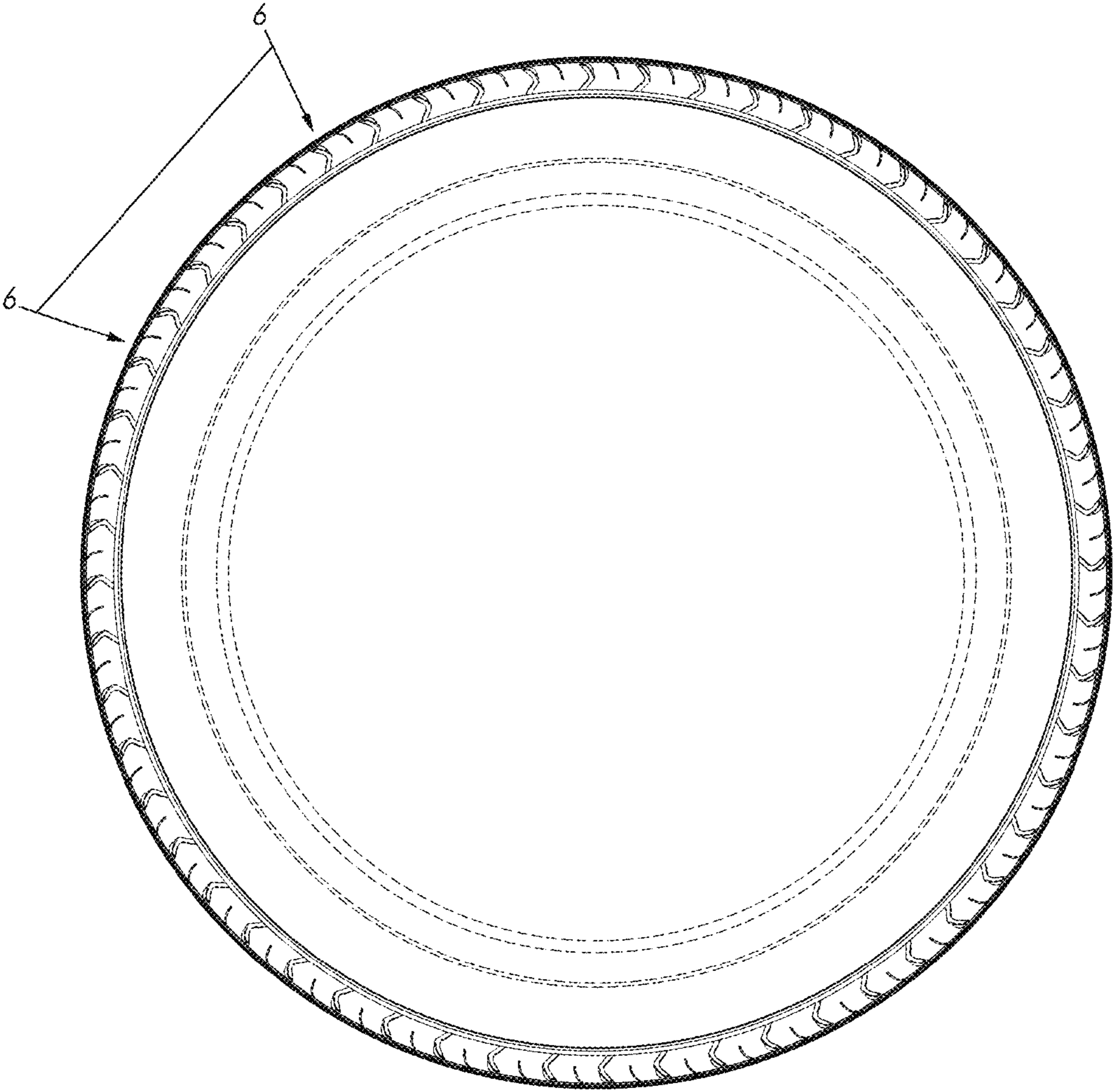


FIG. 3

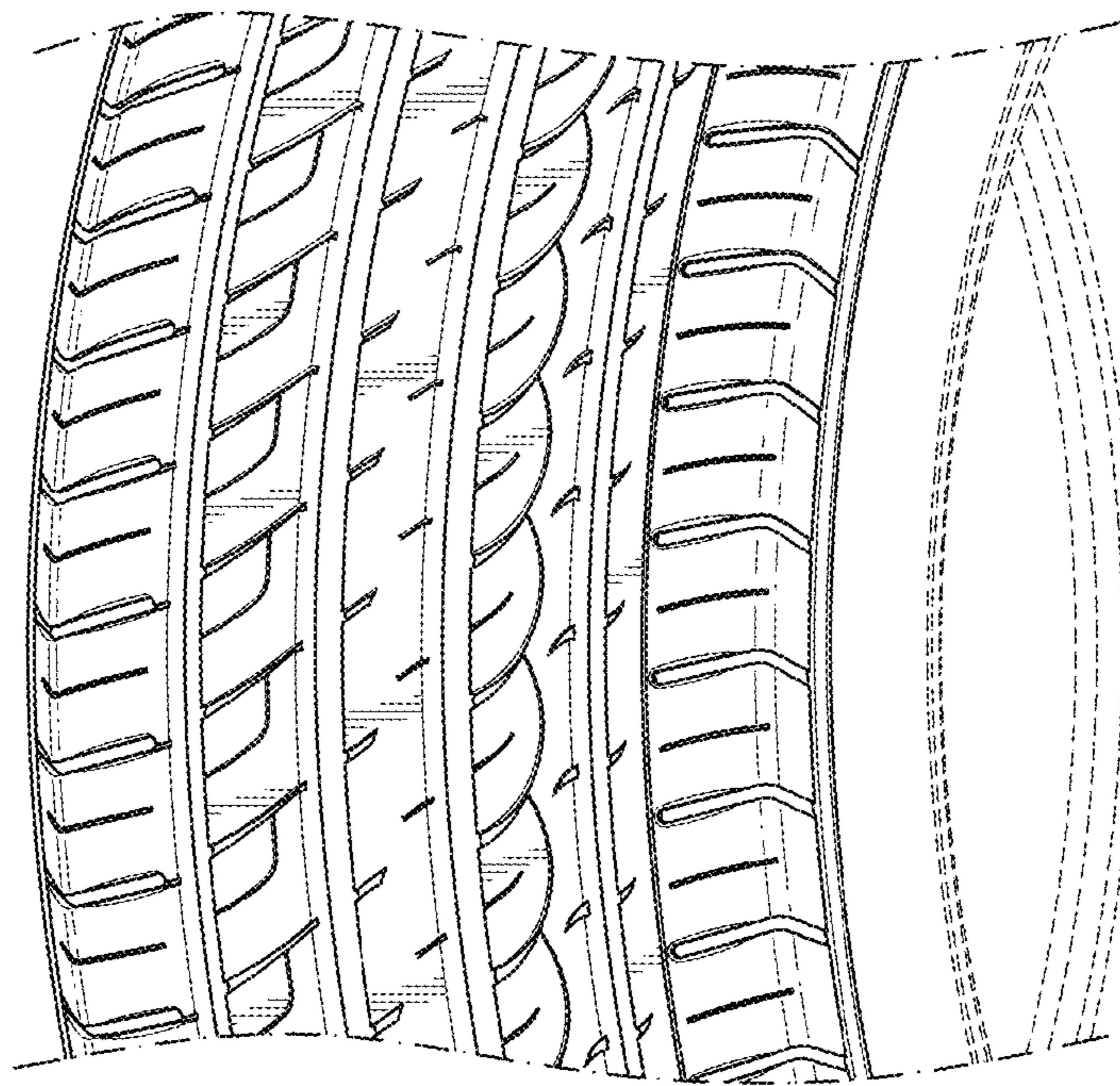


FIG. 4

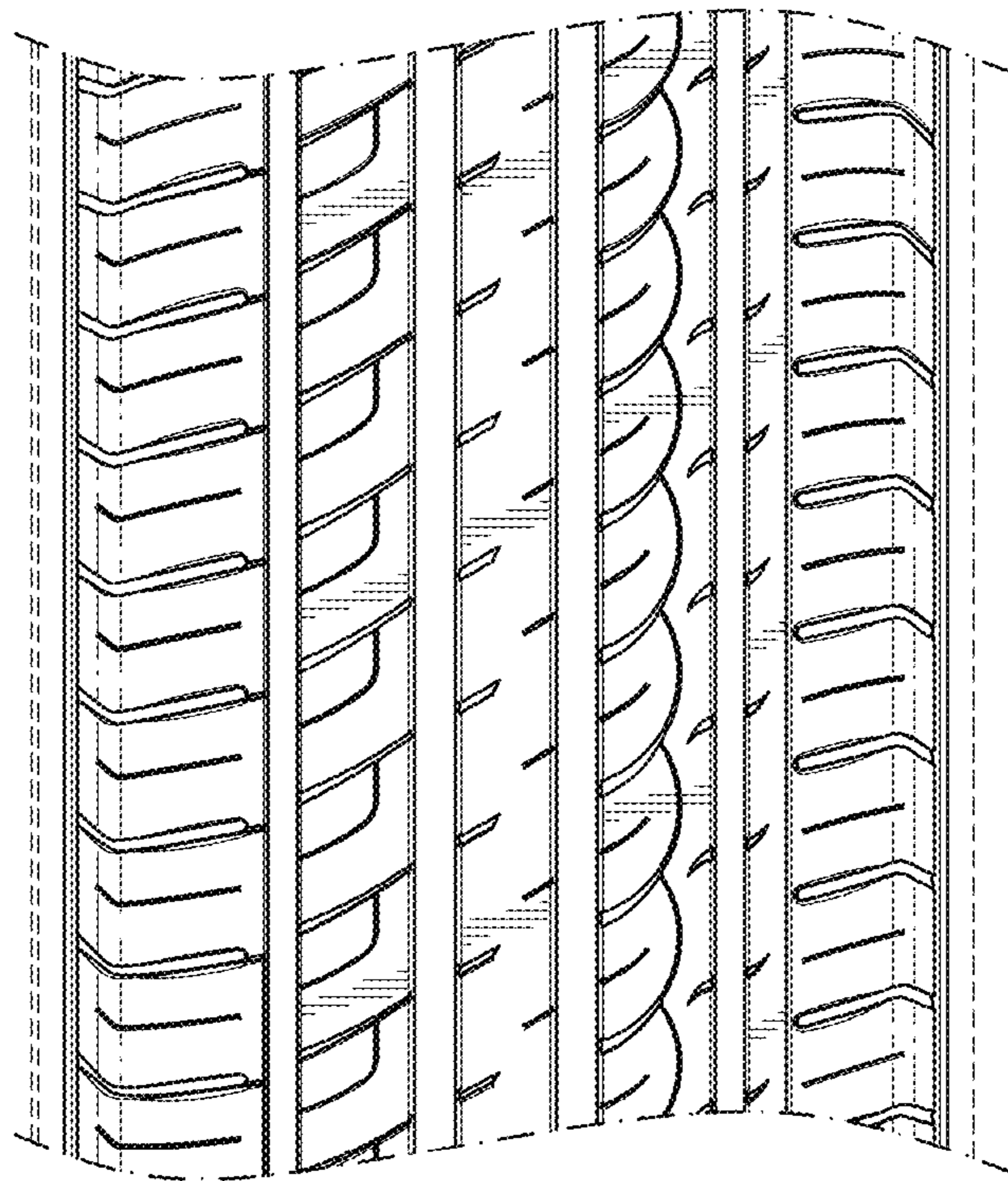


FIG. 5

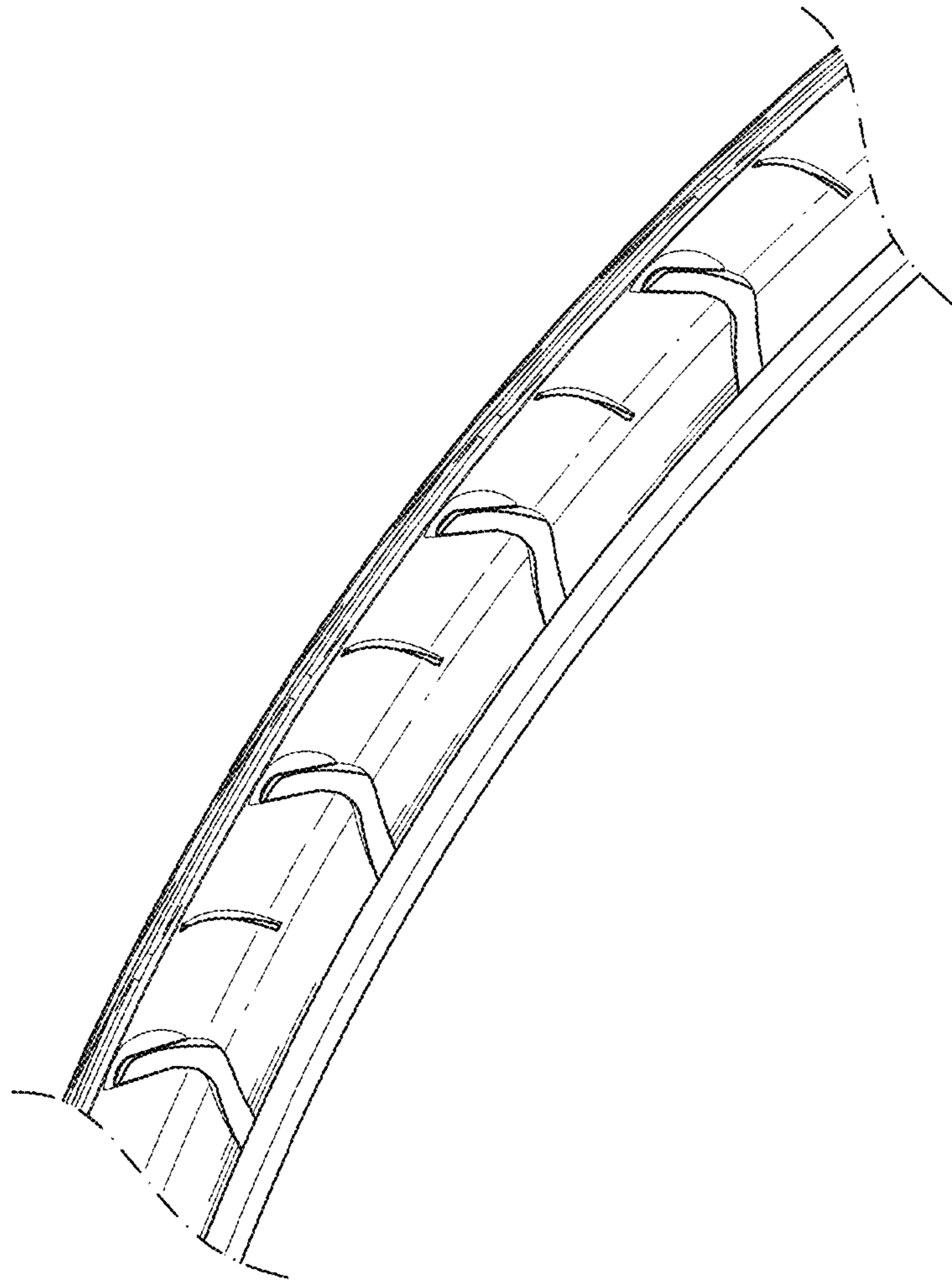


FIG. 6