



US00D770361S

(12) **United States Design Patent** (10) **Patent No.:** **US D770,361 S**  
**Chan** (45) **Date of Patent:** **\*\* Nov. 1, 2016**

(54) **CENTER CONSOLE**

FOREIGN PATENT DOCUMENTS

(71) Applicant: **Douglas Chan**, Torrance, CA (US)

JP D1227518 1/2005

(72) Inventor: **Douglas Chan**, Torrance, CA (US)

JP D1434929 3/2012

TW D150624 12/2012

TW D158033 12/2013

(73) Assignee: **HONDA MOTOR CO., LTD.**, Tokyo (JP)

OTHER PUBLICATIONS

(\*\*) Term: **14 Years**

Taiwan IPO Search Report; Taiwan Design Patent Application No. 104304222; Date of completion of search: Dec. 22, 2015.

(21) Appl. No.: **29/517,245**

\* cited by examiner

(22) Filed: **Feb. 11, 2015**

*Primary Examiner* — Katrina A Betton

(51) **LOC (10) Cl.** ..... **12-16**

(74) *Attorney, Agent, or Firm* — Pearne & Gordon LLP

(52) **U.S. Cl.**

USPC ..... **D12/419**

(58) **Field of Classification Search**

(57) **CLAIM**

USPC ..... D12/415–426.1

The ornamental design for a center console, as shown and described.

CPC ..... B64D 11/06; F16M 11/12; F16M 11/10

See application file for complete search history.

(56) **References Cited**

**DESCRIPTION**

U.S. PATENT DOCUMENTS

D359,266 S \* 6/1995 Karp ..... D12/419

D448,720 S \* 10/2001 Nash ..... D12/192

6,616,206 B2 \* 9/2003 Luginbill ..... B60N 2/4646

224/539

D522,957 S \* 6/2006 Miyashita ..... D12/415

D568,232 S \* 5/2008 Motozaki ..... D12/421

D632,639 S 2/2011 Rosenbohm

7,980,409 B2 \* 7/2011 Vasko ..... B60R 7/04

220/326

D724,521 S \* 3/2015 Ashley ..... D12/419

D725,583 S \* 3/2015 Seki ..... D12/419

9,199,579 B2 \* 12/2015 Gillis ..... B60R 7/04

FIG. 1 is a perspective view of my new invention;

FIG. 2 is a top view thereof;

FIG. 3 is a left side view thereof;

FIG. 4 is a front view thereof;

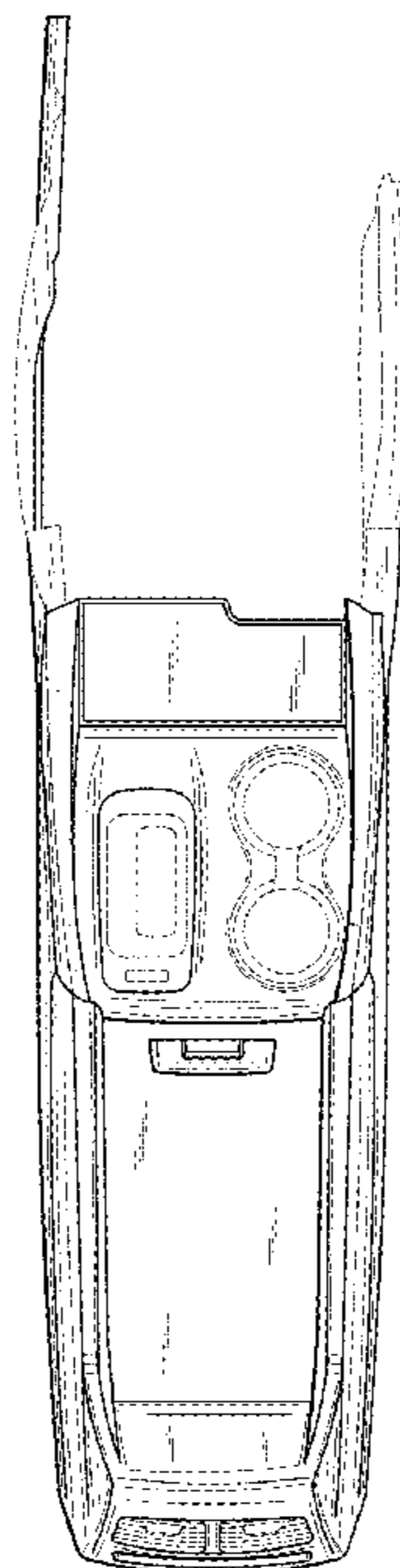
FIG. 5 is a right side view thereof;

FIG. 6 is a rear view thereof; and,

FIG. 7 is bottom view thereof.

The broken lines shown in the drawings illustrate portions of the center console that form no part of the claimed design.

**1 Claim, 3 Drawing Sheets**



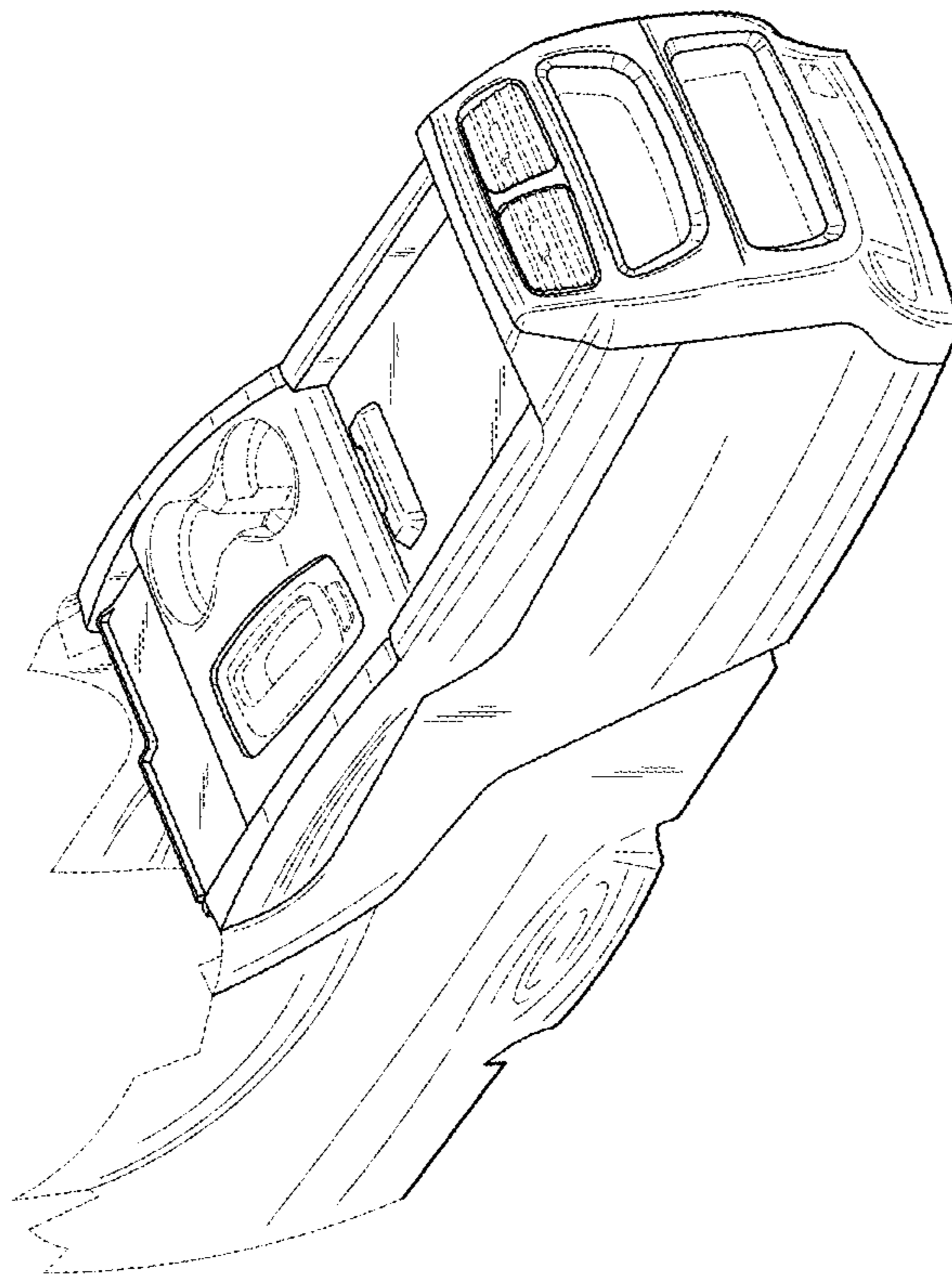


FIG. 1

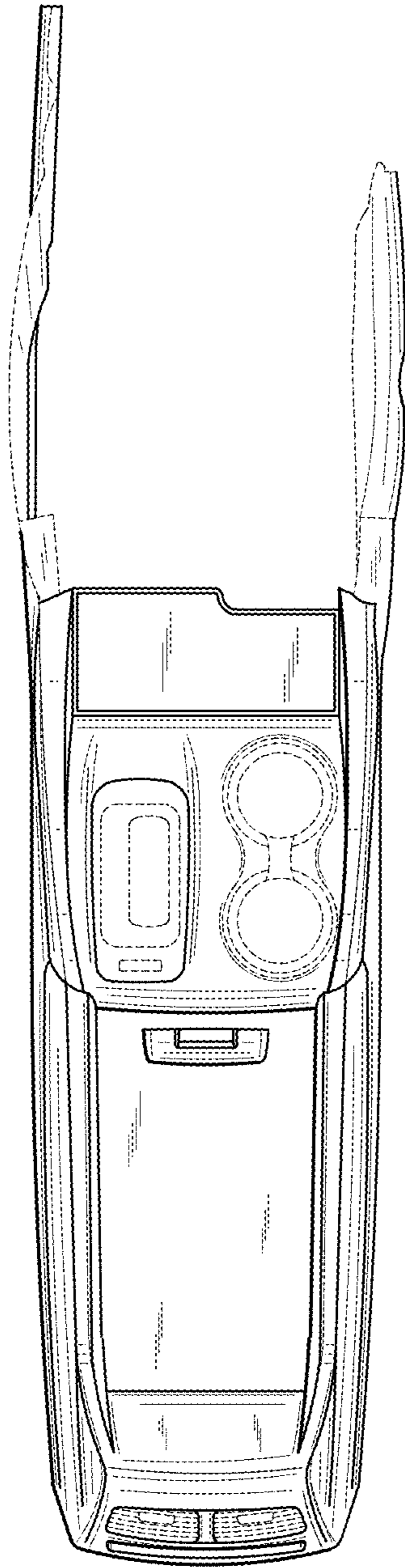


FIG. 2

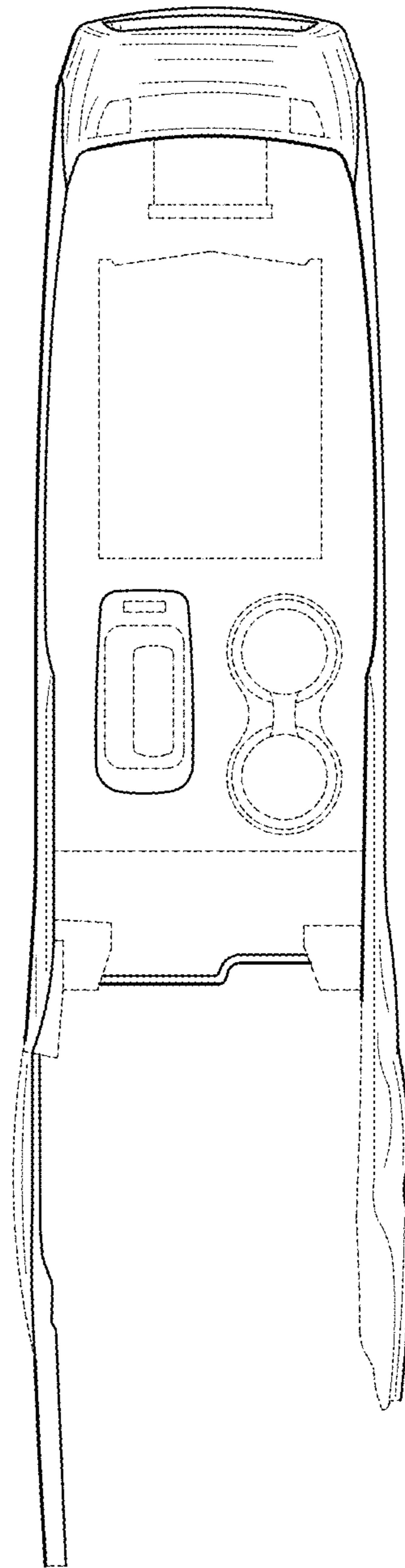


FIG. 7

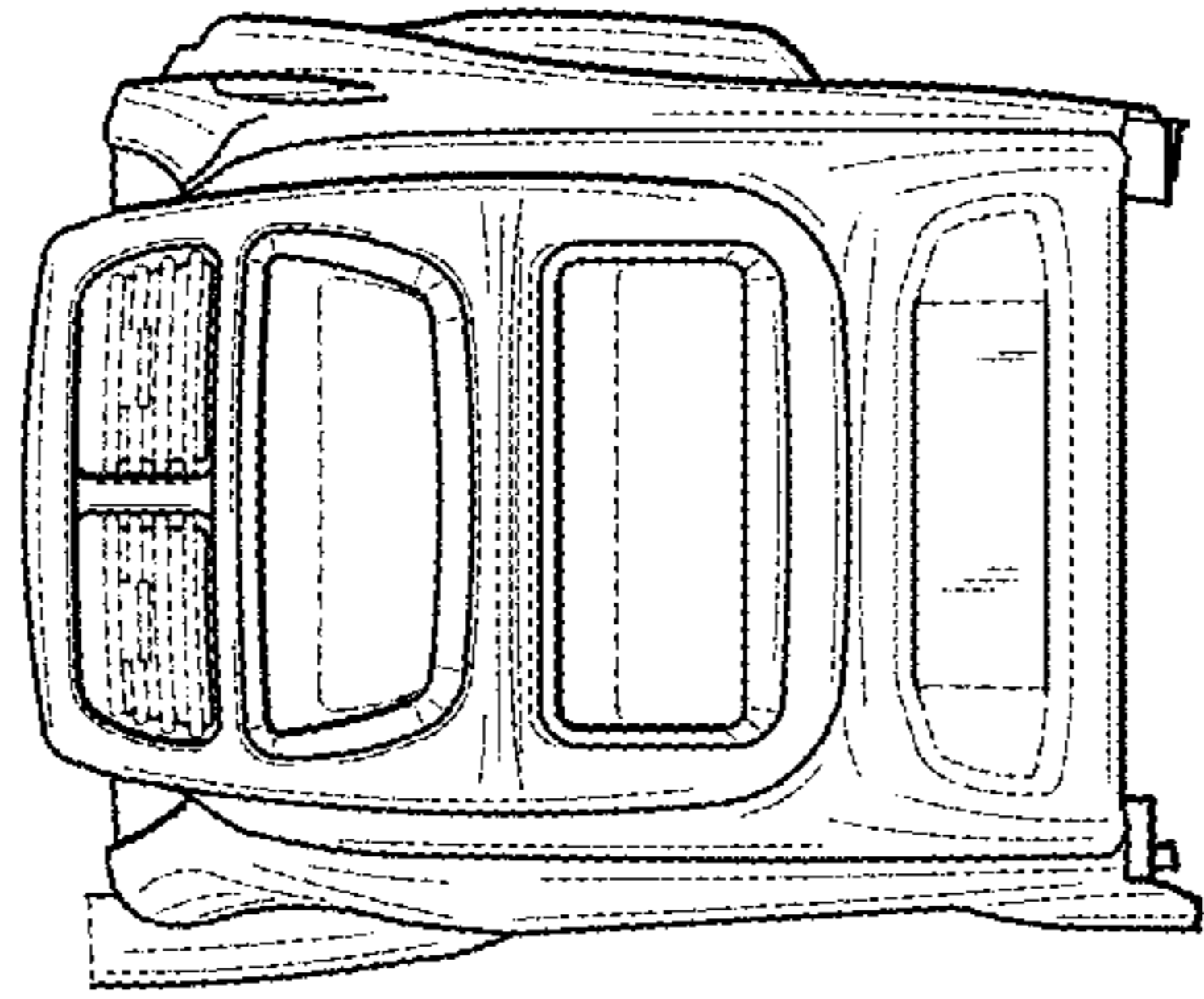


FIG. 4

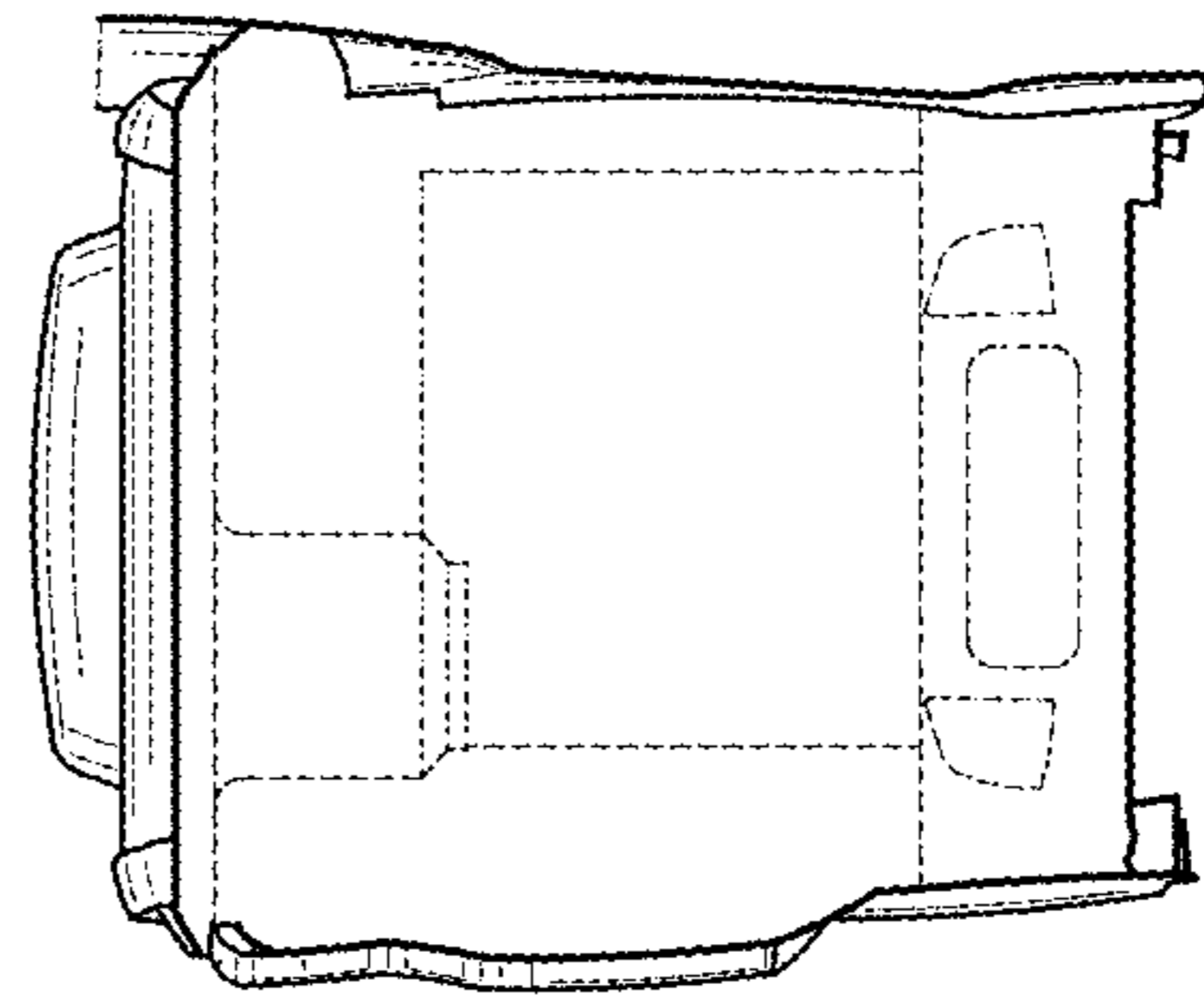


FIG. 6

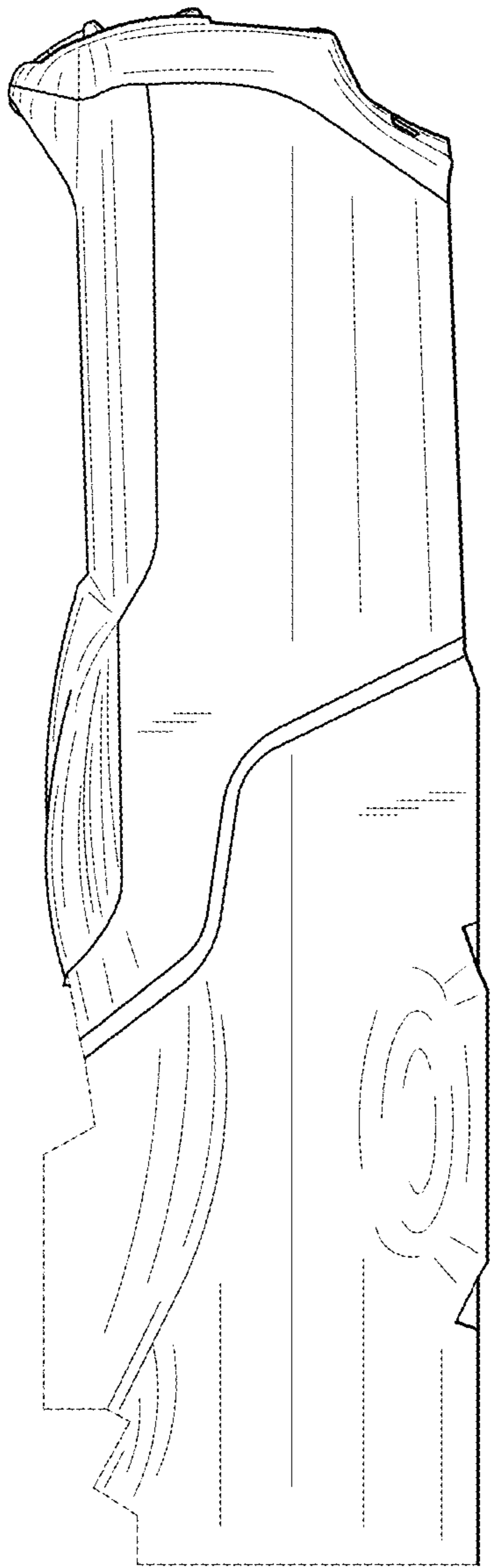


FIG. 3

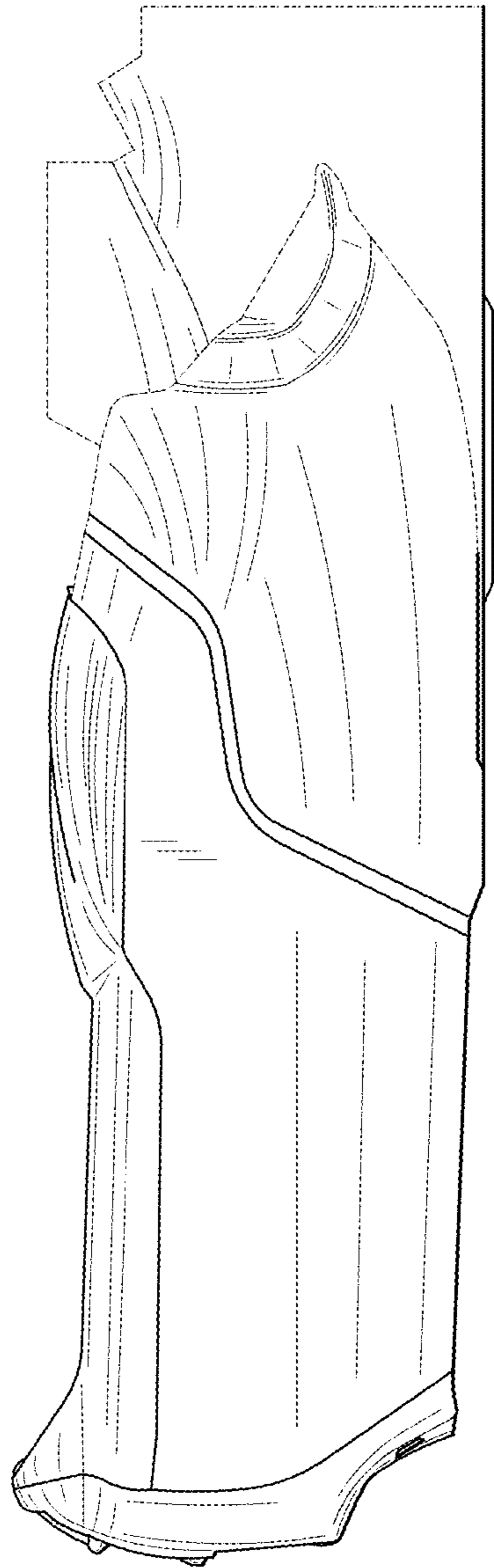


FIG. 5