



US00D770358S

(12) **United States Design Patent** (10) **Patent No.:** **US D770,358 S**  
**Fernandez et al.** (45) **Date of Patent:** **\*\* Nov. 1, 2016**

(54) **AWNING** 6,682,123 B2 \* 1/2004 Burks ..... B60J 11/02  
160/370.22  
(71) Applicant: **Rhino Rack Australia Pty Limited,** D574,764 S \* 8/2008 Scheer ..... D12/402  
New South Wales (AU) D616,806 S \* 6/2010 Patterson, Sr. .... D12/401  
D620,426 S \* 7/2010 Conti ..... D12/401  
(72) Inventors: **Ernesto Fidel Fernandez,** New South D658,565 S \* 5/2012 Akmal ..... D12/401  
Wales (AU); **Richard Oswald Cropley,** D665,722 S \* 8/2012 Fujita ..... D12/401  
New South Wales (AU); **Christopher**  
**John Murty,** New South Wales (AU) D679,771 S \* 4/2013 Muggleton ..... D12/401  
D728,451 S \* 5/2015 Rodriguez ..... D12/401

\* cited by examiner

(73) Assignee: **Rhino Rack Australia Pty Limited**  
(AU)

*Primary Examiner* — Katrina A Betton

(\*\*) Term: **15 Years**

(74) *Attorney, Agent, or Firm* — Skinner and Associates;  
Joel Skinner

(21) Appl. No.: **29/544,254**

(57) **CLAIM**

The ornamental design for an awning, as shown and described.

(22) Filed: **Nov. 2, 2015**

**Related U.S. Application Data**

**DESCRIPTION**

(63) Continuation of application No. 29/514,772, filed on Jan. 16, 2015.

FIG. 1 is a perspective view of an embodiment of an awning. The awning for a vehicle is deployed on the side of the vehicle. The vehicle and the tie-down lines are shown for illustrative purposes only and form no part of the claimed design.

(51) **LOC (10) Cl.** ..... **12-16**

(52) **U.S. Cl.**  
USPC ..... **D12/401**

FIG. 2 is top view thereof. Again, the tie-down lines are not claimed.

(58) **Field of Classification Search**  
USPC ..... D12/401-405  
CPC ..... B60J 11/08; B60J 11/06; A47C 31/10  
See application file for complete search history.

FIG. 3 is an underside or bottom view thereof. The tie-down lines are not claimed.

(56) **References Cited**

**U.S. PATENT DOCUMENTS**

5,029,933 A \* 7/1991 Gillem ..... B60J 11/00  
150/166  
5,240,305 A \* 8/1993 Trethewey ..... B60J 11/00  
296/136.11  
6,427,709 B1 \* 8/2002 Montes ..... B60J 11/00  
135/88.05

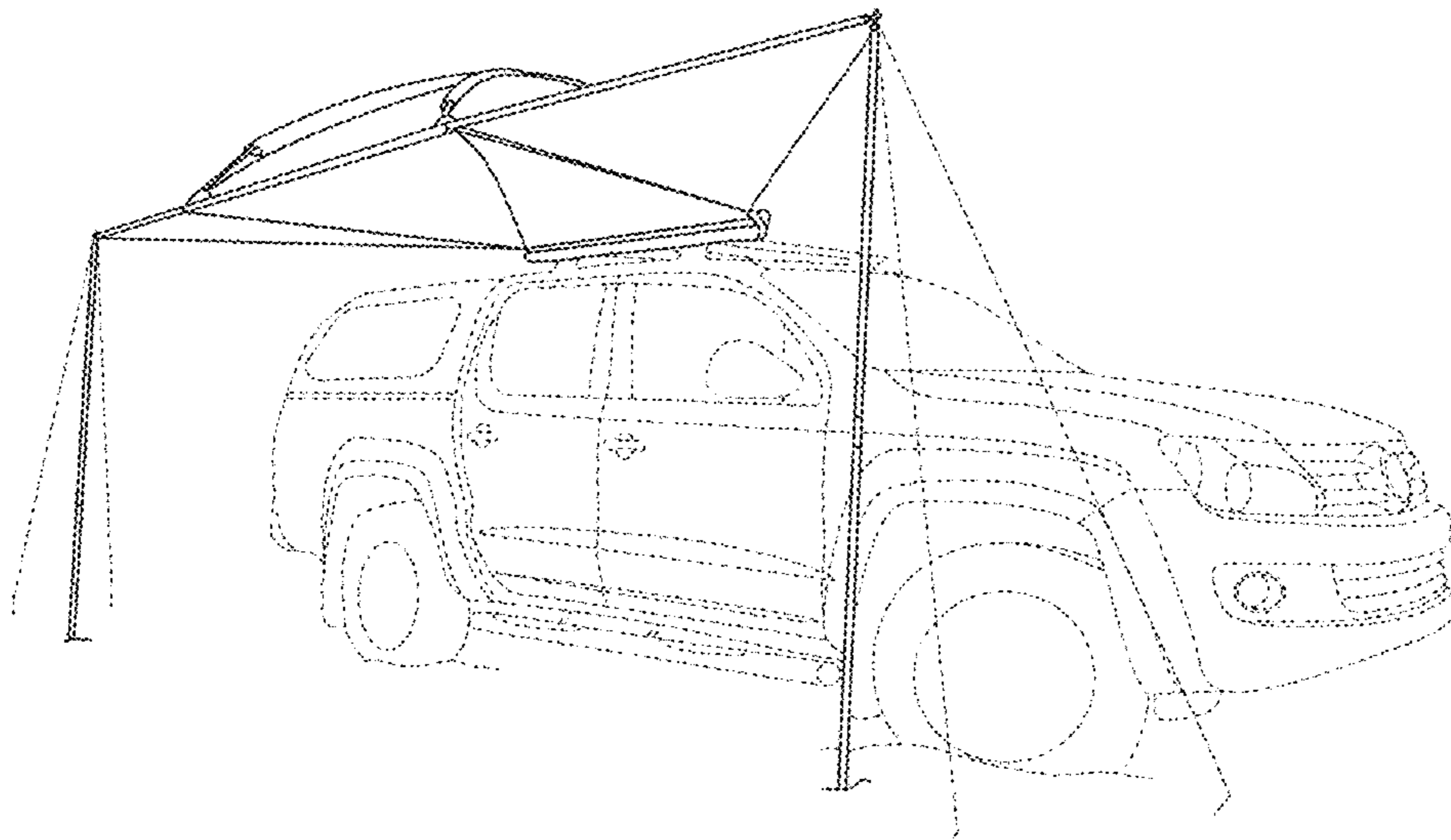
FIG. 4 is a front view thereof.

FIG. 5 is a rear view thereof.

FIG. 6 is a side view thereof, the opposite side being a mirror image thereof; and,

FIG. 7 is another perspective view of the awning deployed on the rear of the vehicle. The awning is deployed on the rear of the vehicle. Again, the vehicle and tie-down lines are not claimed.

**1 Claim, 7 Drawing Sheets**



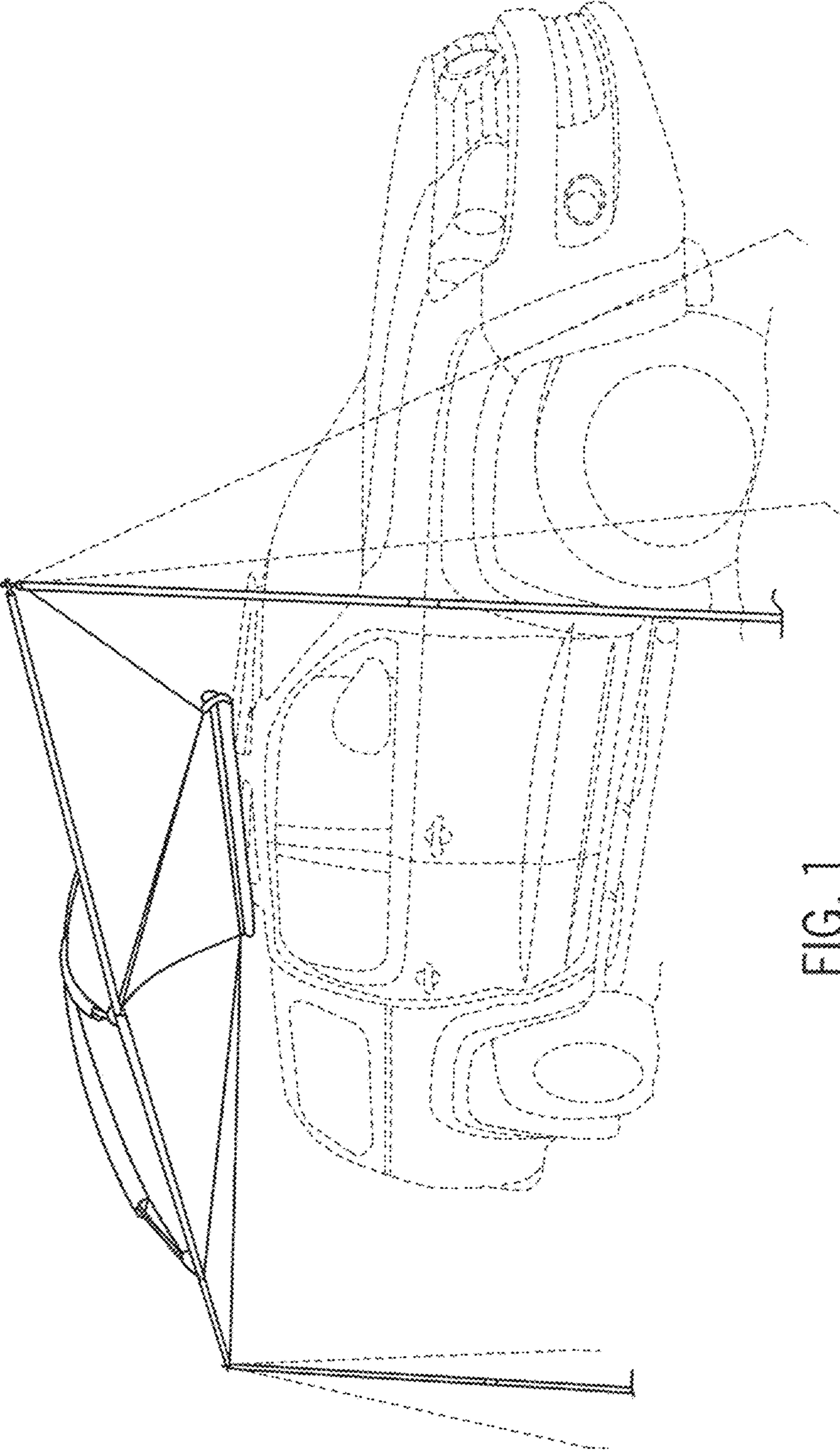


FIG. 1

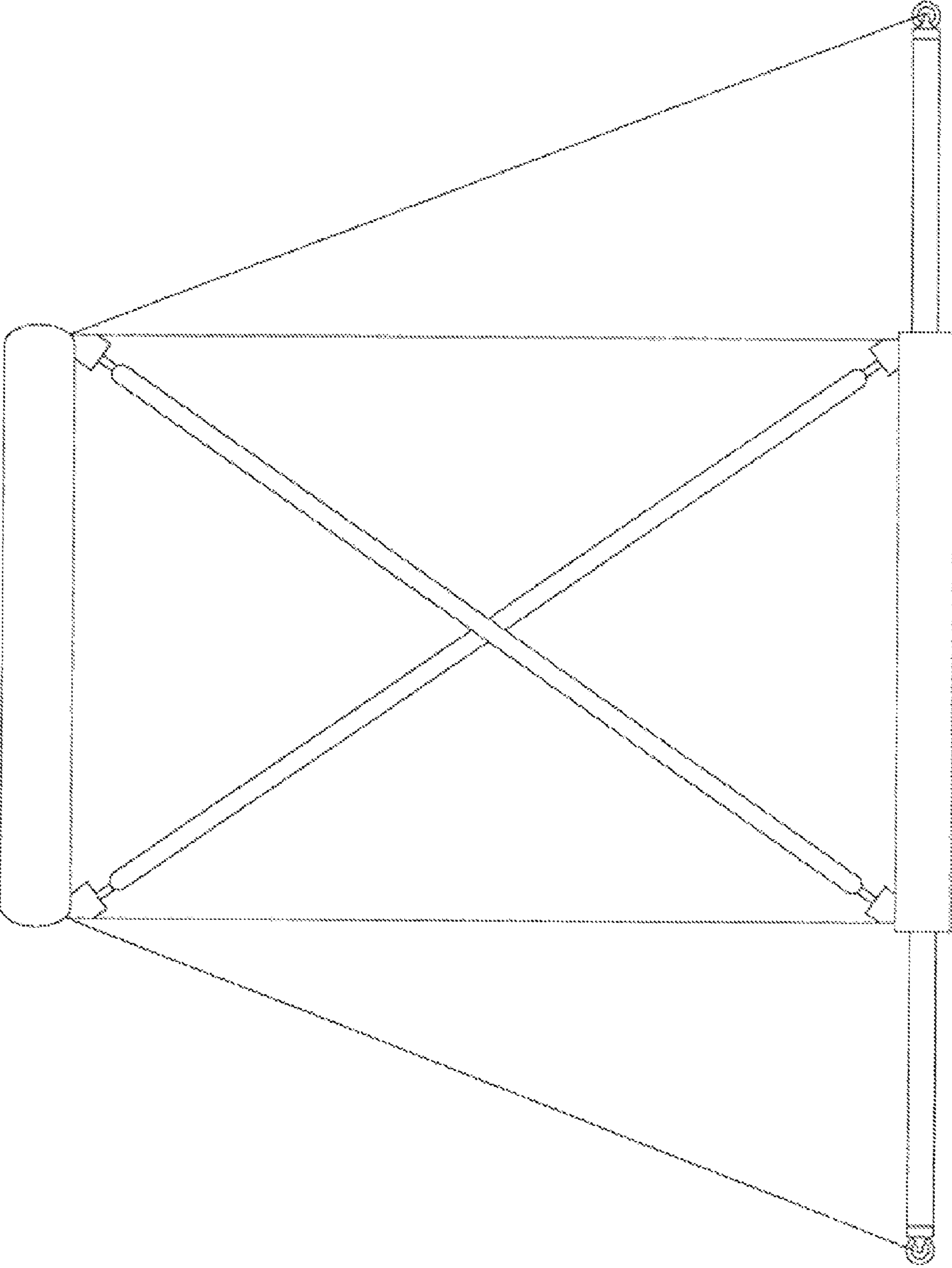


FIGURE 2

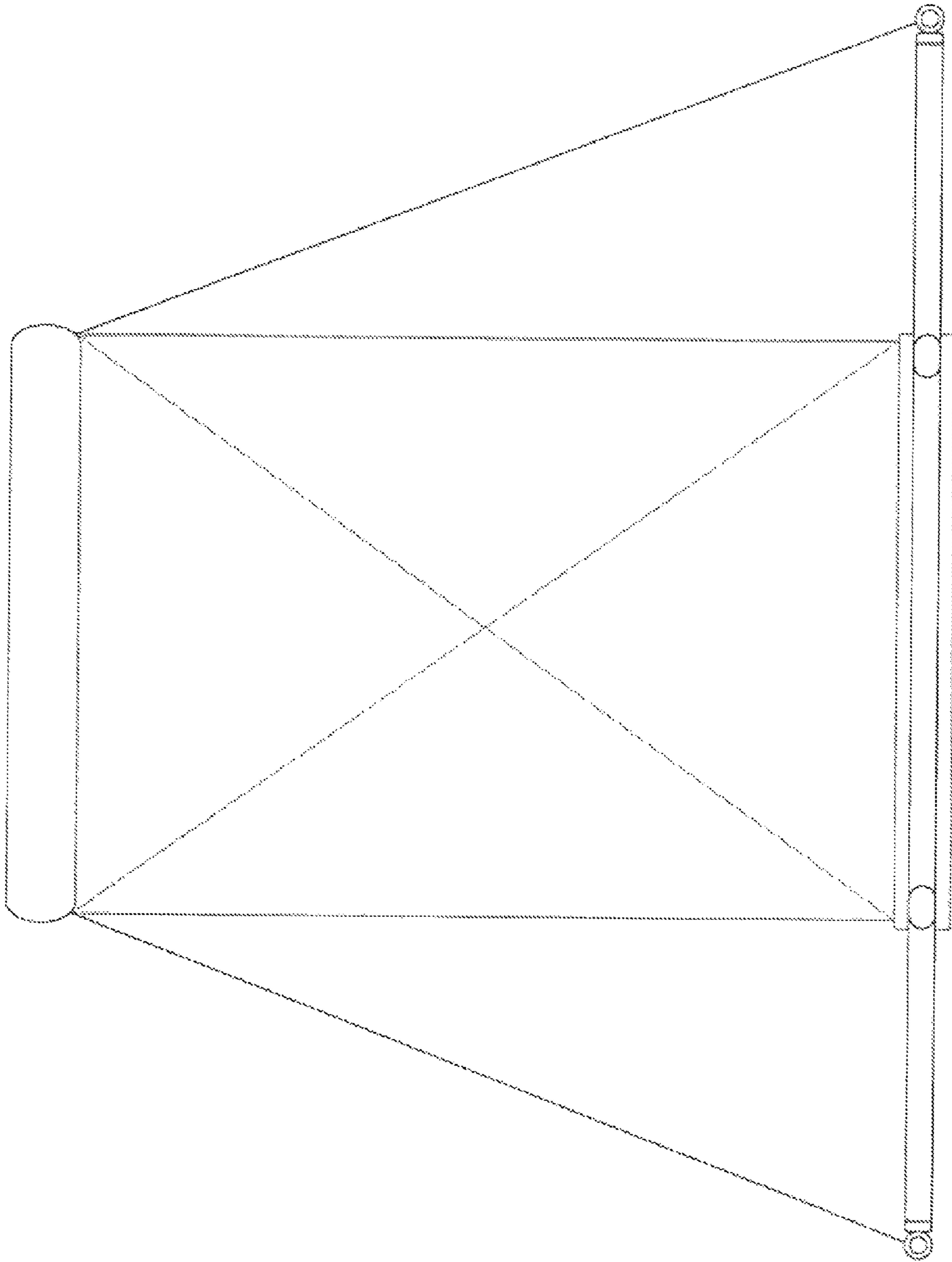


FIGURE 3

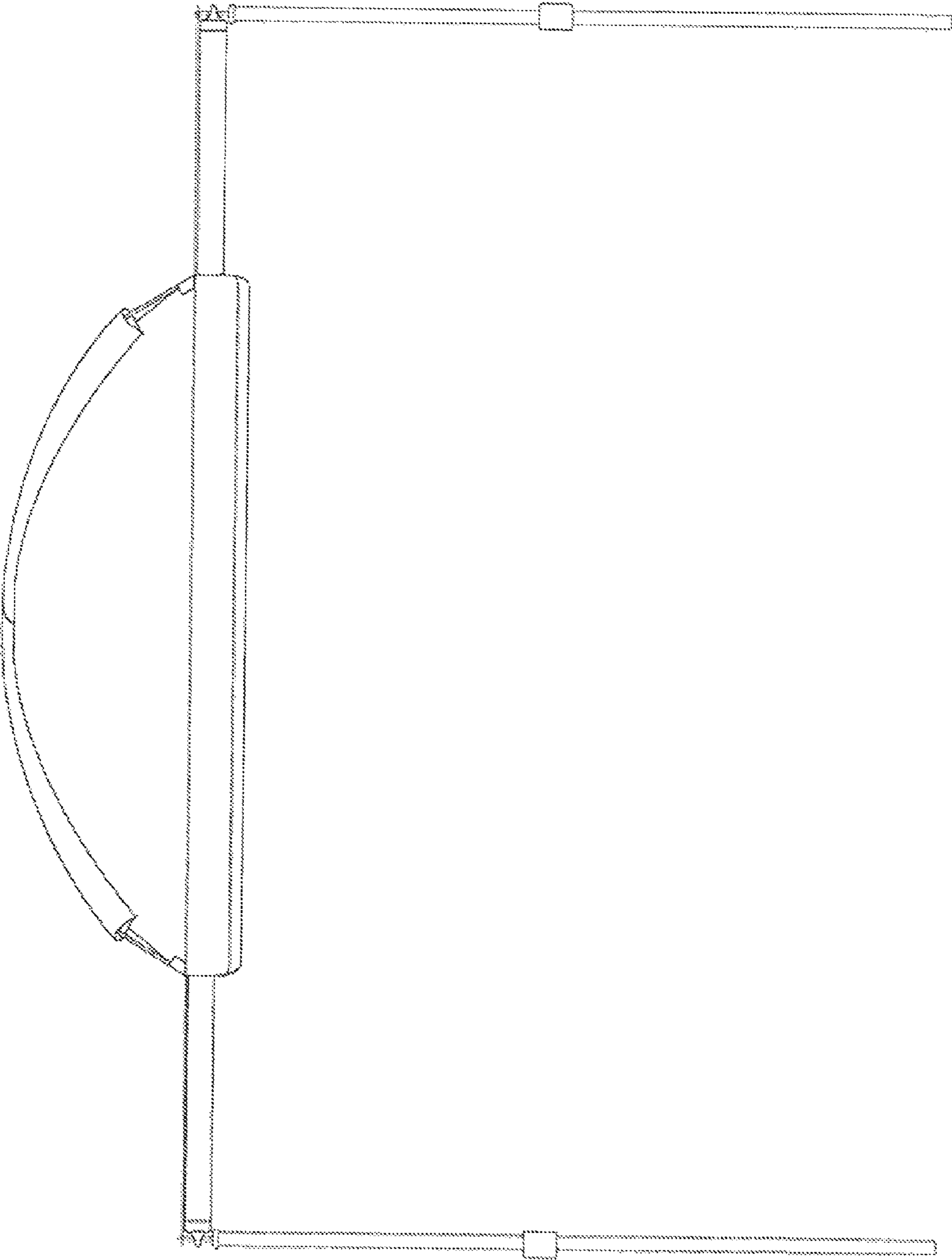


FIGURE 4

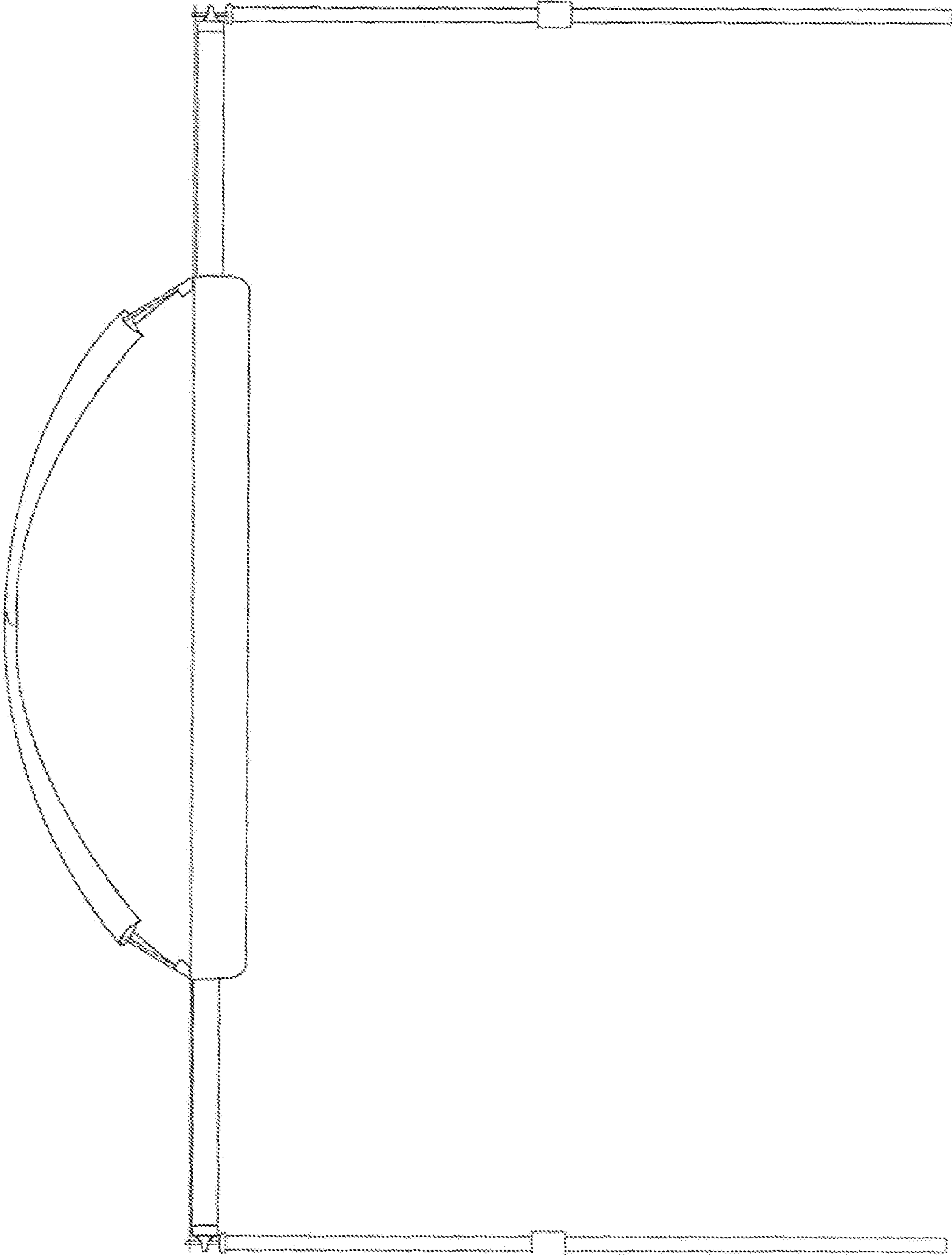


FIGURE 5

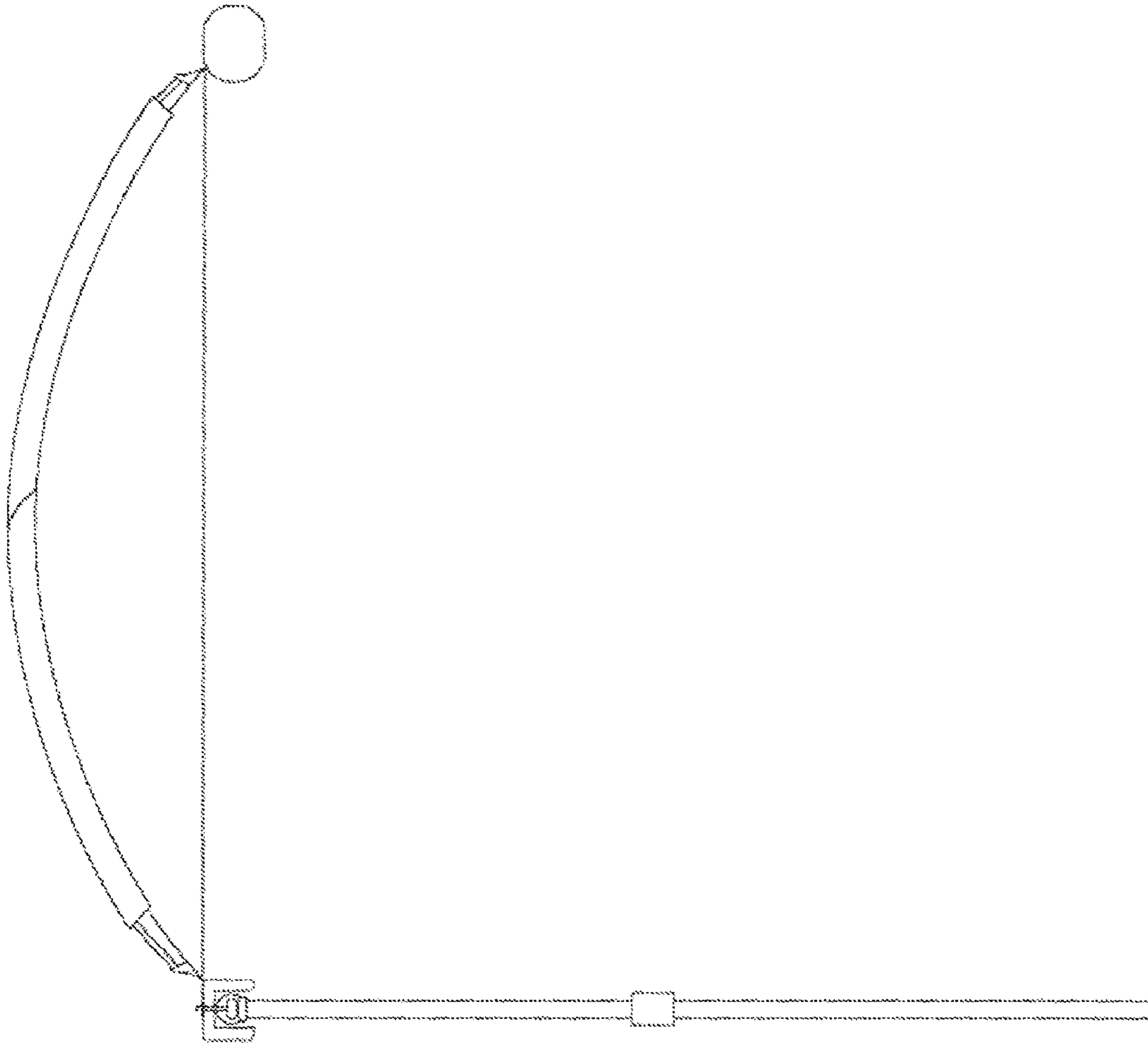


FIGURE 6

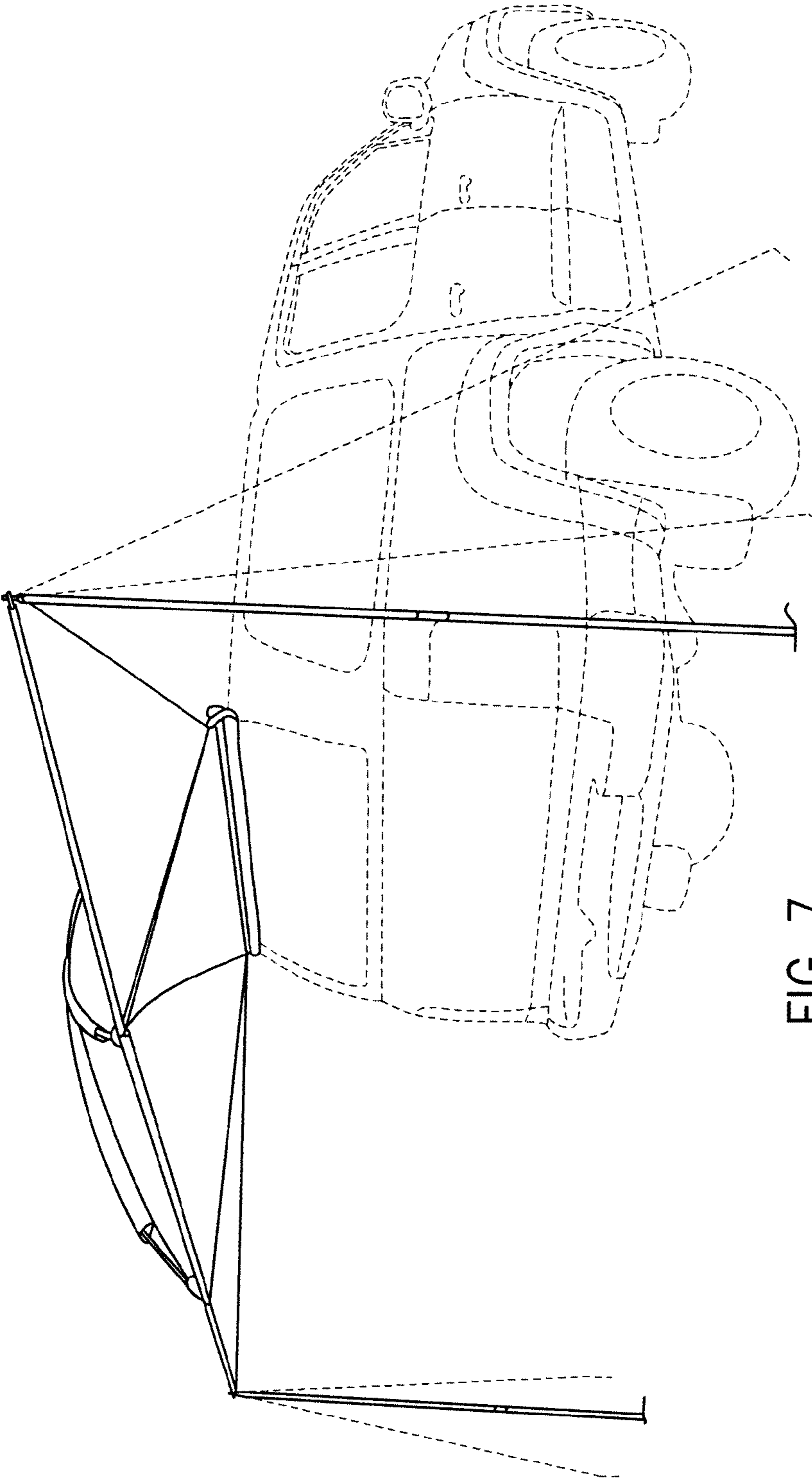


FIG. 7