

US00D770355S

(12) **United States Design Patent** (10) **Patent No.:** **US D770,355 S**
DeMaria (45) **Date of Patent:** **** Nov. 1, 2016**

(54) **PORTHOLE FOR A BOAT**
(75) Inventor: **Carla DeMaria**, Turin (IT)
(73) Assignee: **MONTE CARLO YACHTS S.p.A.**
CON SOCIO UNICO, Turin (IT)
(**) Term: **14 Years**

3,611,970 A * 10/1971 Hagan et al. 114/177
D260,634 S * 9/1981 Gates D12/183
4,295,675 A * 10/1981 Niskin 292/256.6
4,852,508 A * 8/1989 Takada 114/177
D304,572 S * 11/1989 Beckerer, Jr. D12/317
4,976,212 A * 12/1990 Camarota 114/178
D321,258 S * 10/1991 St-Hilaire D25/48.7
5,150,943 A * 9/1992 Gold 296/201
D402,619 S * 12/1998 Kyle D12/317
6,851,379 B2 * 2/2005 Black 114/177

(21) Appl. No.: **29/390,228**

* cited by examiner

(22) Filed: **Apr. 21, 2011**

Primary Examiner — Cynthia M Chin

(30) **Foreign Application Priority Data**

(74) *Attorney, Agent, or Firm* — Ladas & Parry LLP

Oct. 25, 2010 (EM) 1241236-0004

(51) **LOC (10) Cl.** **12-06**

(57) **CLAIM**

(52) **U.S. Cl.**

I claim the ornamental design for a porthole for a boat, as shown and described.

USPC **D12/317**

(58) **Field of Classification Search**

DESCRIPTION

USPC D12/300-318; 52/208, 79.1, 79.7, 79.8;
114/173, 177, 178

See application file for complete search history.

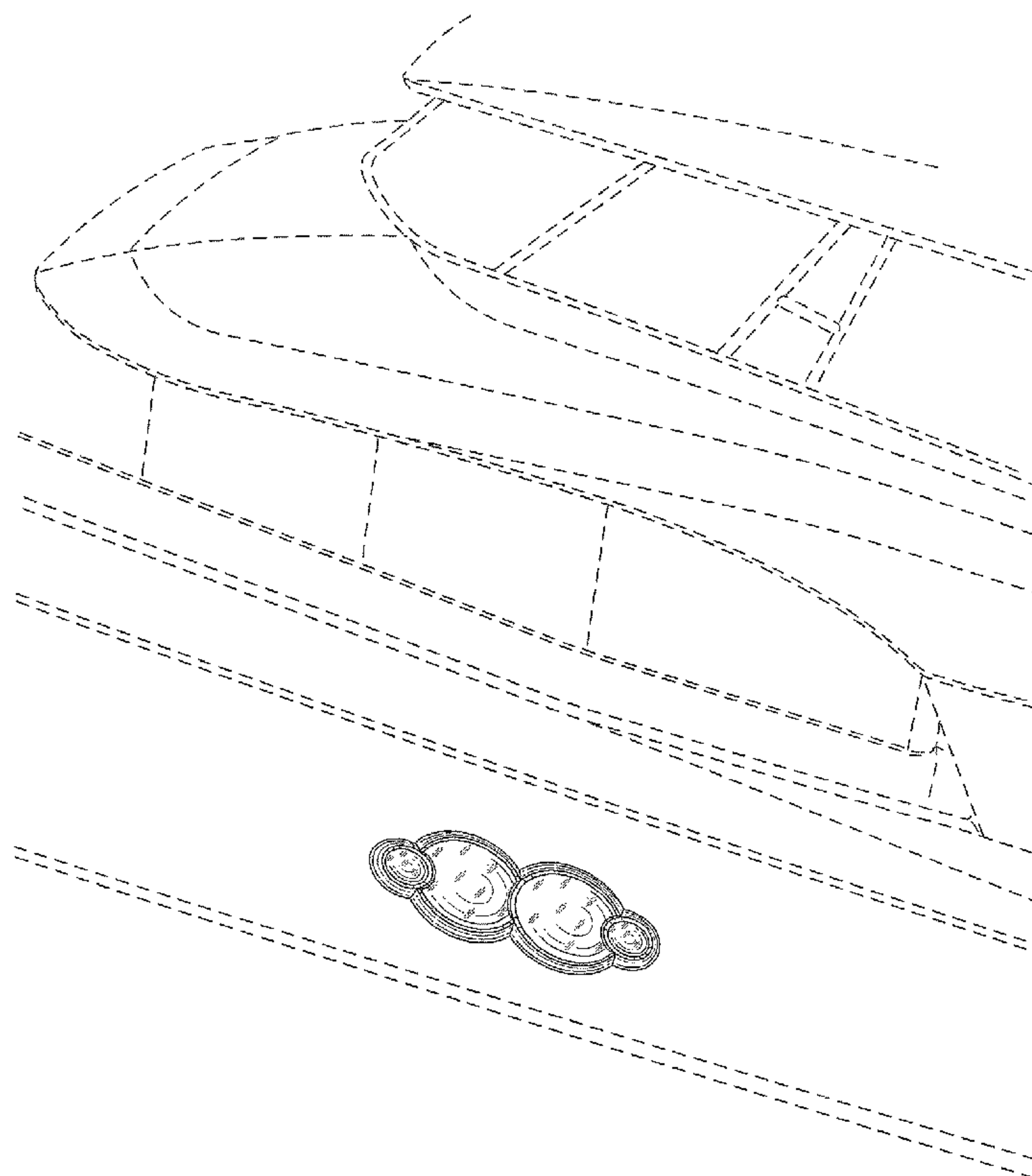
FIG. 1 is a side view of a porthole for a boat of my new design; and,
FIG 2 is a perspective view thereof on a larger scale.
No claim is made to features shown in broken lines in the drawings.

(56) **References Cited**

1 Claim, 2 Drawing Sheets

U.S. PATENT DOCUMENTS

814,317 A * 3/1906 Parker 52/761
2,602,198 A * 7/1952 Parker 49/463



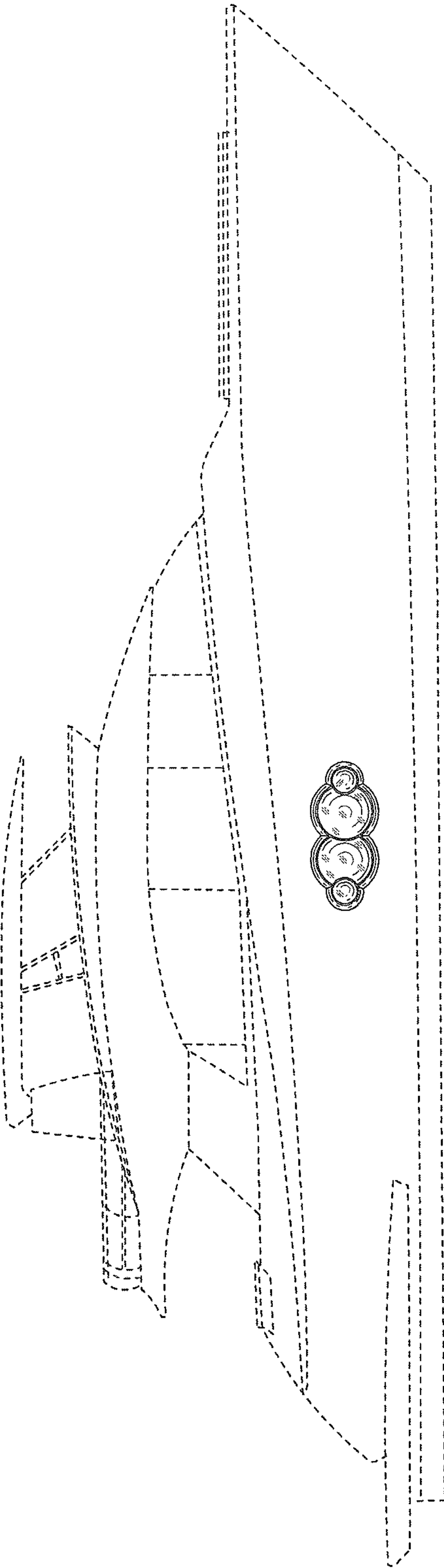


FIG. 1

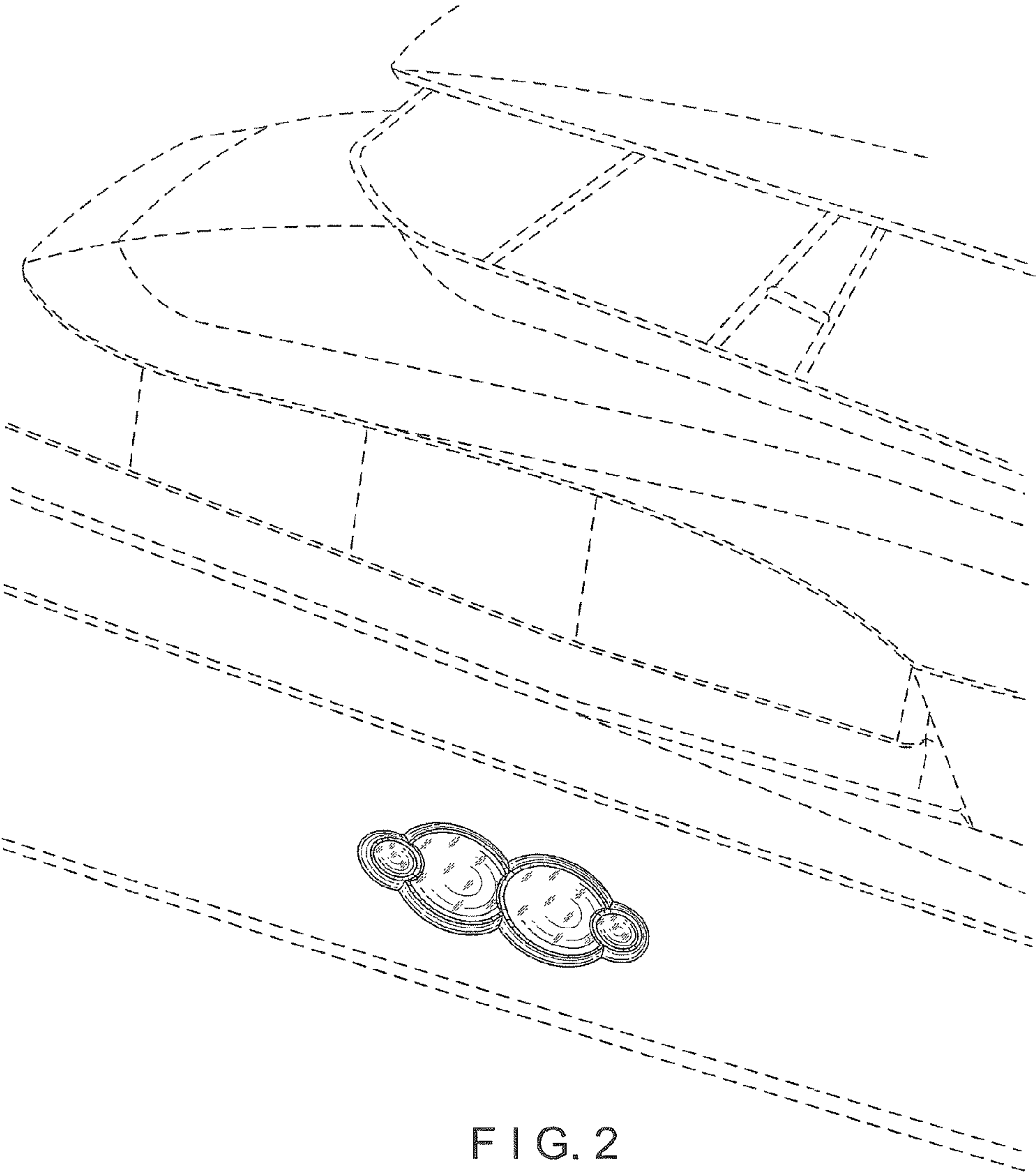


FIG. 2