



US00D770354S

(12) **United States Design Patent**  
**Luke et al.**

(10) **Patent No.:** **US D770,354 S**  
(45) **Date of Patent:** **\*\* Nov. 1, 2016**

- (54) **VEHICLE WHEEL FACE**
- (71) Applicant: **GOGORO INC.**, Hong Kong (CN)
- (72) Inventors: **Hok-Sum Horace Luke**, Mercer Island, WA (US); **Chien-Chih Weng**, New Taipei (TW); **Hsin-Wen Su**, Taipei (TW); **Song-Fu Wang**, Taipei (TW); **Chi-Wang Lien**, Taipei (TW)
- (73) Assignee: **GOGORO INC.**, Hong Kong (CN)
- (\*\*) Term: **14 Years**
- (21) Appl. No.: **29/506,672**
- (22) Filed: **Oct. 17, 2014**
- (51) **LOC (10) Cl.** ..... **12-16**
- (52) **U.S. Cl.**  
USPC ..... **D12/213**
- (58) **Field of Classification Search**  
USPC ..... D12/204-213; D21/563  
CPC ..... B60B 7/00; B60B 7/02; B60B 7/04; B60B 7/01; B60B 7/06; B60B 3/02; B60B 3/04; B60B 3/06; B60B 3/10; B60B 1/00; B60B 1/08; B60B 1/10; B60B 1/12  
See application file for complete search history.

(56) **References Cited**

**U.S. PATENT DOCUMENTS**

D276,717 S *	12/1984	Ogishima	.....	D12/211
4,536,005 A	8/1985	Tanaka et al.		
4,715,465 A	12/1987	Takahashi et al.		
4,719,983 A	1/1988	Bruzzzone		
4,800,980 A	1/1989	Hideo et al.		
D314,166 S	1/1991	Shively et al.		
D361,741 S	8/1995	Sofue et al.		
D384,023 S *	9/1997	Chrysanto	.....	D12/209
D389,447 S *	1/1998	Chrysanto	.....	D12/209
D399,174 S	10/1998	Takeshita et al.		
D399,179 S *	10/1998	Suprihanto	.....	D12/209
D400,484 S *	11/1998	Chrysanto	.....	D12/209
D439,285 S *	3/2001	Chen	.....	D21/563

D453,134 S *	1/2002	Murkett	.....	D12/209
D458,888 S *	6/2002	Stolz	.....	D12/209
D480,661 S	10/2003	Kawawa et al.		
D490,750 S	6/2004	Hoshino		

(Continued)

**FOREIGN PATENT DOCUMENTS**

TW	D114554	12/2006
TW	D141327	7/2011

**OTHER PUBLICATIONS**

Taiwanese Office Action with English Translation dated Jun. 11, 2015, for corresponding TW Application No. 103306726, 6 pages.

*Primary Examiner* — Stacia Cadmus

(74) *Attorney, Agent, or Firm* — Seed IP Law Group PLLC

(57) **CLAIM**

The ornamental design for a vehicle wheel face, as shown and described.

**DESCRIPTION**

FIG. 1 is a perspective view of a vehicle wheel face showing our new design.

FIG. 2 is a front elevational view thereof.

FIG. 3 is a right side elevational view thereof.

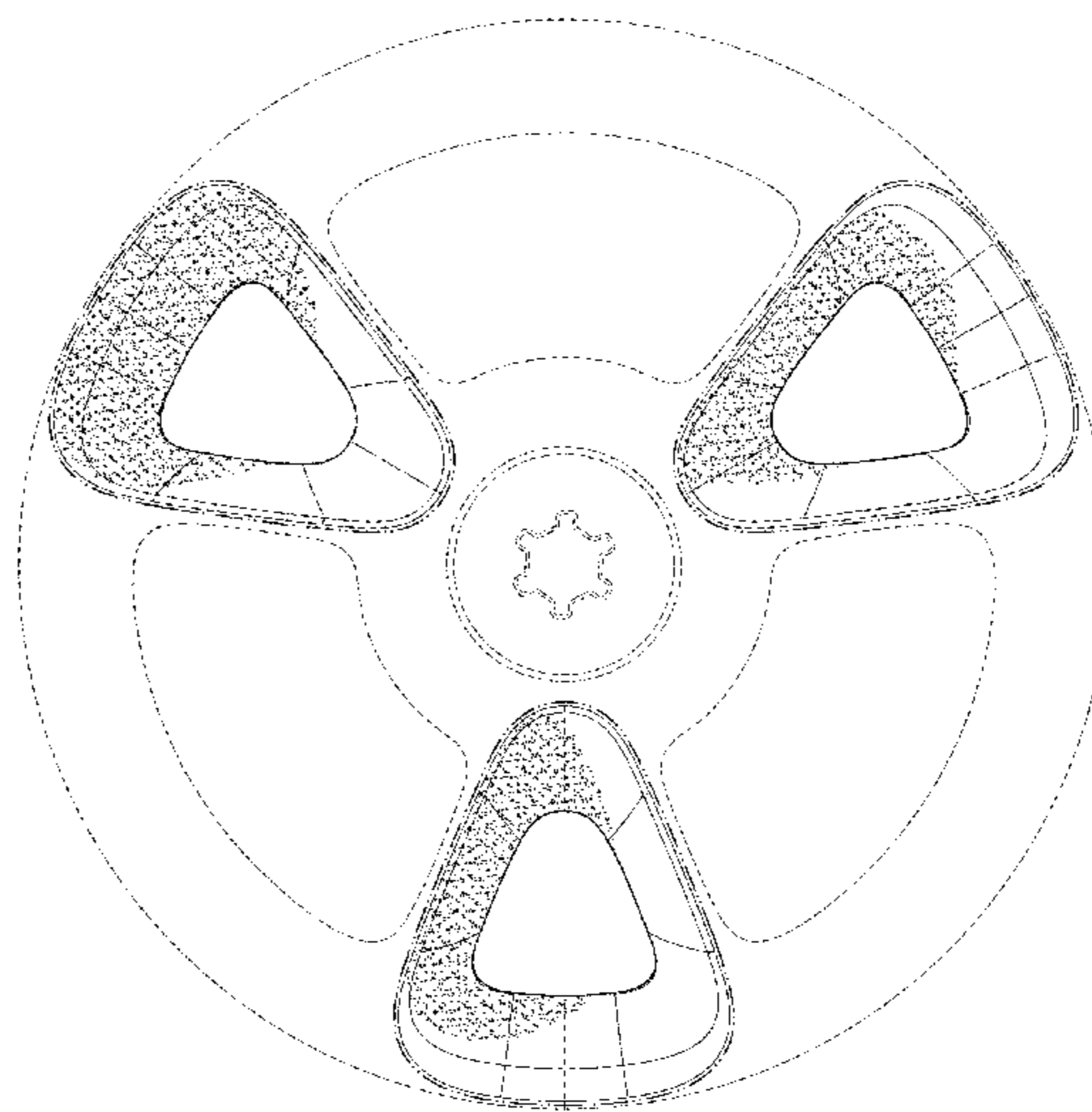
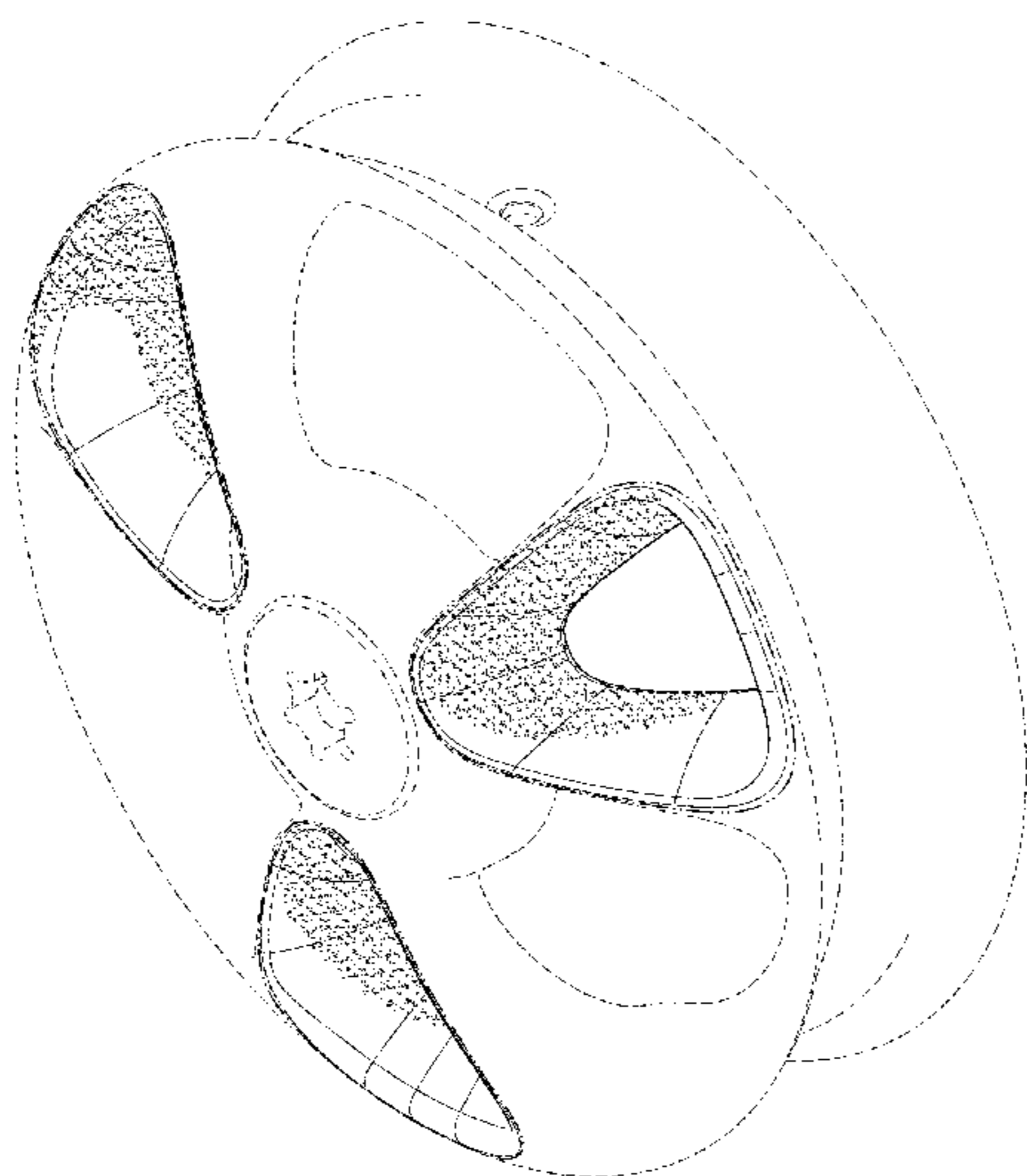
FIG. 4 is a top plan view thereof; and,

FIG. 5 is a bottom plan view thereof.

Stippling and contour lines shown in FIGS. 1-5 are intended to represent approximate three-dimensional contours of the design, and are not intended to indicate surface decoration. The broken lines in FIGS. 1-5 are for the purpose of illustrating environmental structure for the claimed design and form no part of the claimed design.

The dash-dot-dot-dash lines in FIGS. 1-5 are intended to identify the bounds of the claimed design and form no part of the claimed design.

**1 Claim, 4 Drawing Sheets**



(56)

**References Cited**

U.S. PATENT DOCUMENTS

D503,908 S	4/2005	Tomomatsu et al.	
D514,987 S	2/2006	Hsiao	
D529,415 S	10/2006	Shimada et al.	
D537,386 S	2/2007	Mizuta et al.	
D537,756 S	3/2007	Kitayama et al.	
D550,602 S *	9/2007	Shimokawa .....	D12/209
D574,300 S	8/2008	Kitayama et al.	
D602,402 S	10/2009	Takahashi et al.	
D607,396 S *	1/2010	Gallert .....	D12/209
D610,490 S	2/2010	Wong	
D613,657 S *	4/2010	Cortes .....	D12/209
D623,112 S *	9/2010	Geisler .....	D12/211
D623,113 S *	9/2010	Geisler .....	D12/211
D623,998 S *	9/2010	Holstein .....	D12/209
D629,721 S	12/2010	Takeno et al.	
D644,961 S	9/2011	Watanabe et al.	
D654,402 S	2/2012	Lambri et al.	
D657,722 S	4/2012	Lambri et al.	
D659,627 S *	5/2012	Frei .....	D12/209
D662,860 S	7/2012	Devernay et al.	
D669,008 S	10/2012	von Holzhausen et al.	
D670,205 S	11/2012	Takakuwa et al.	
D678,128 S	3/2013	Lambri et al.	
D678,129 S	3/2013	Kubota et al.	
D726,076 S	4/2015	Arai et al.	

\* cited by examiner

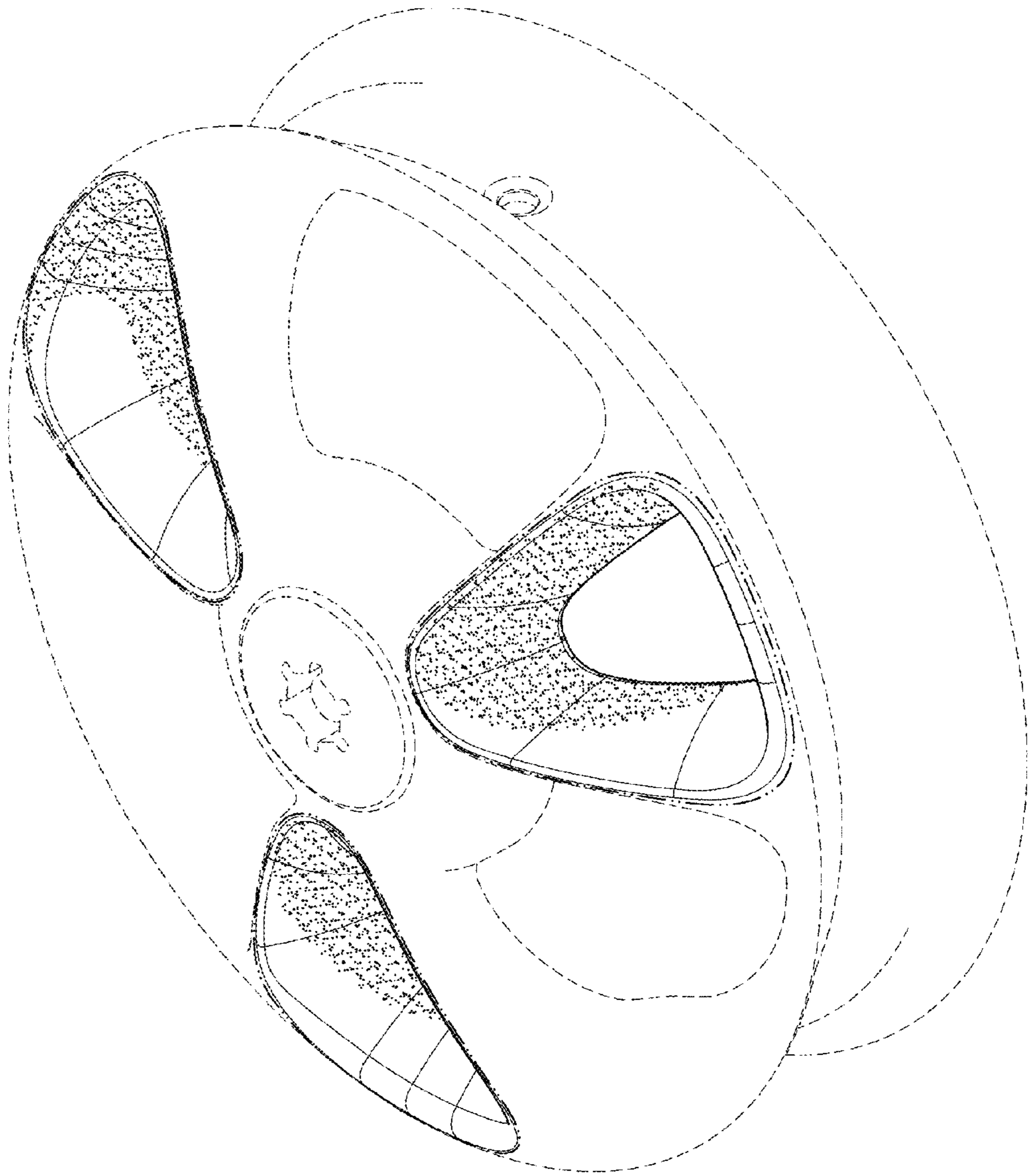


FIG. 1



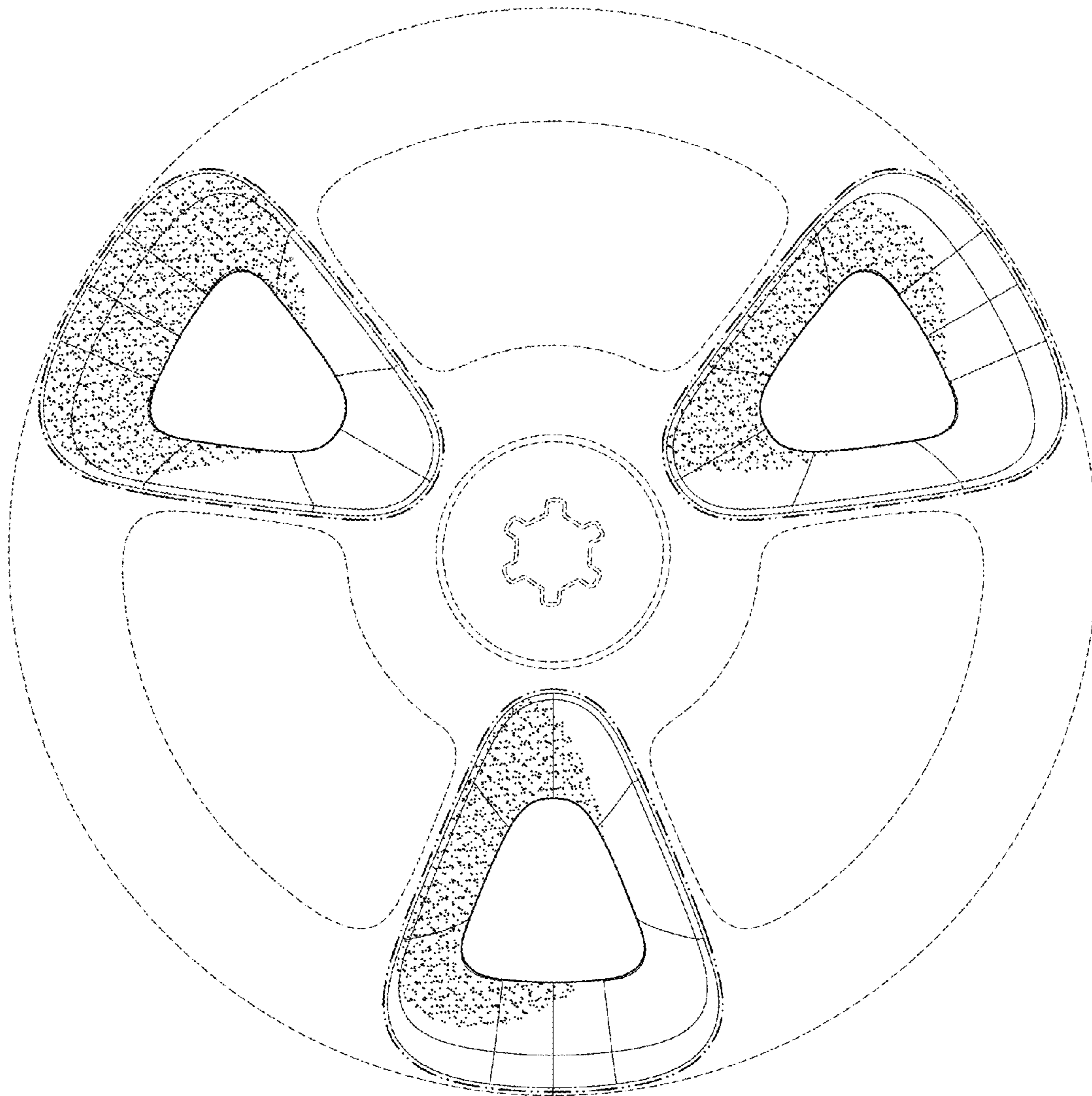


FIG. 2

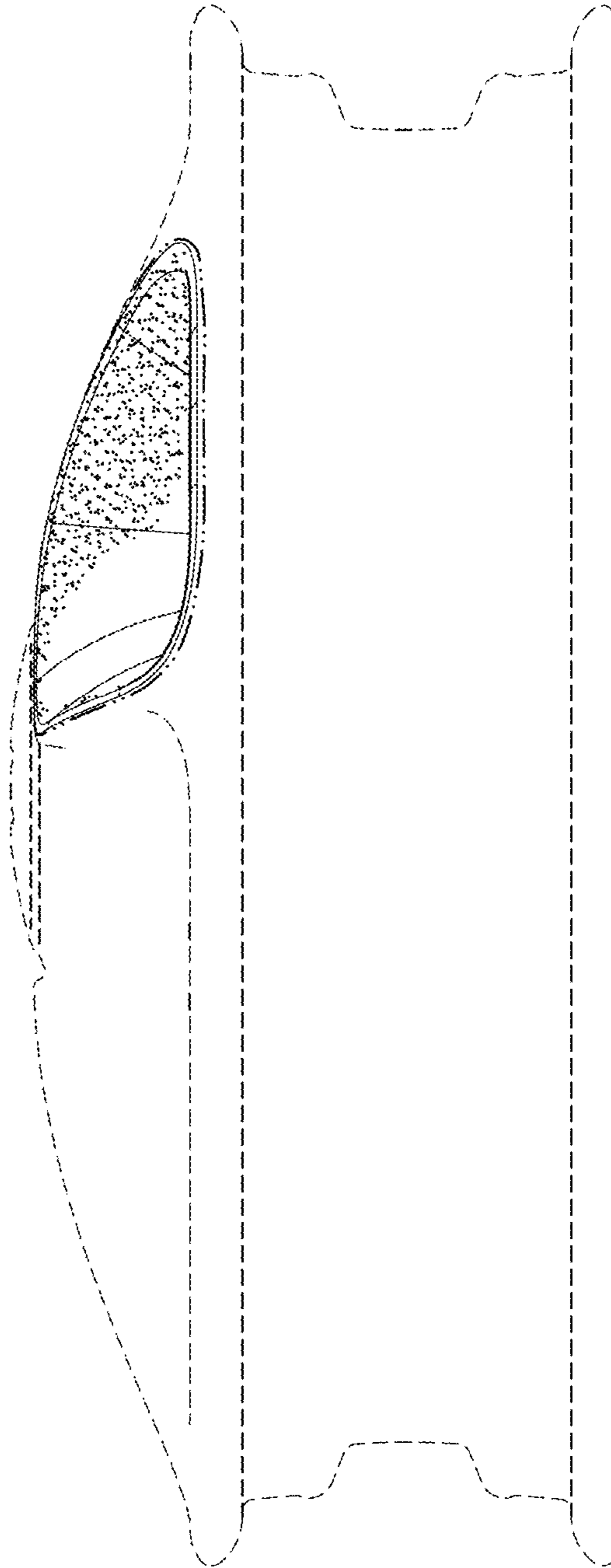


FIG. 3

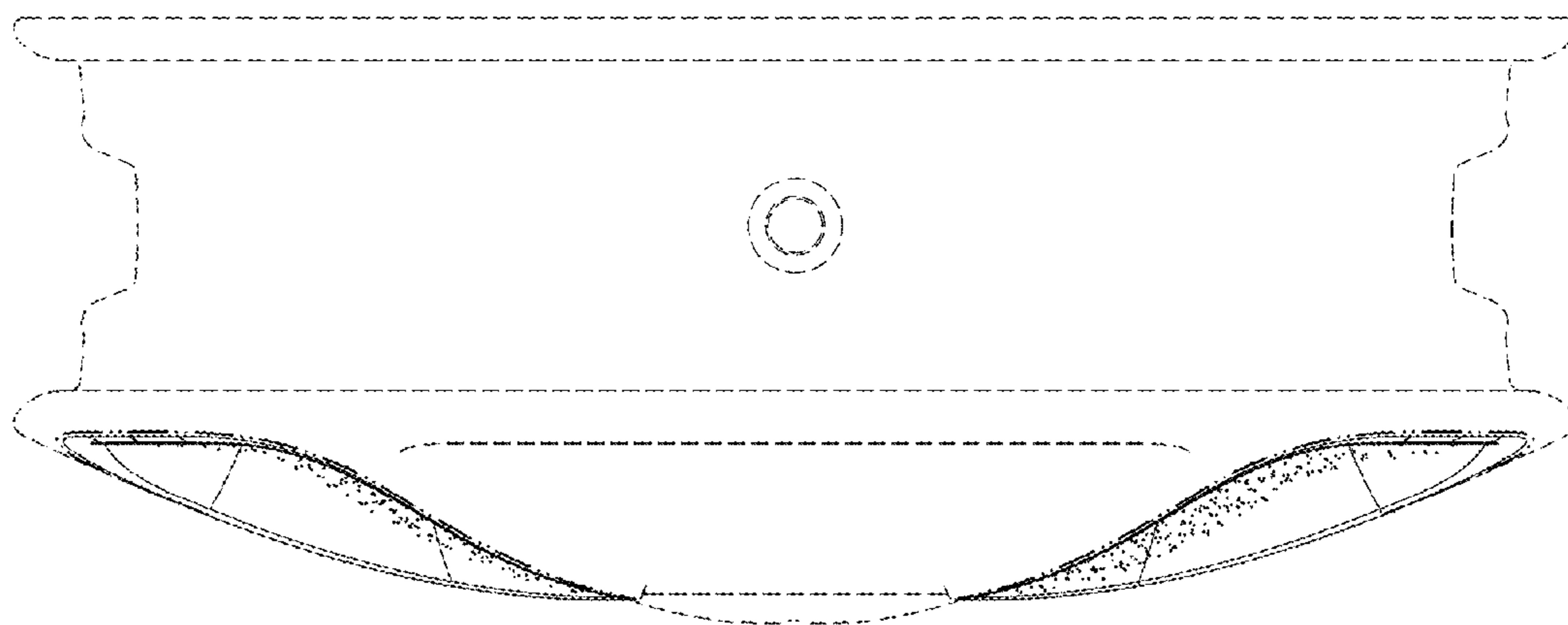


FIG. 4

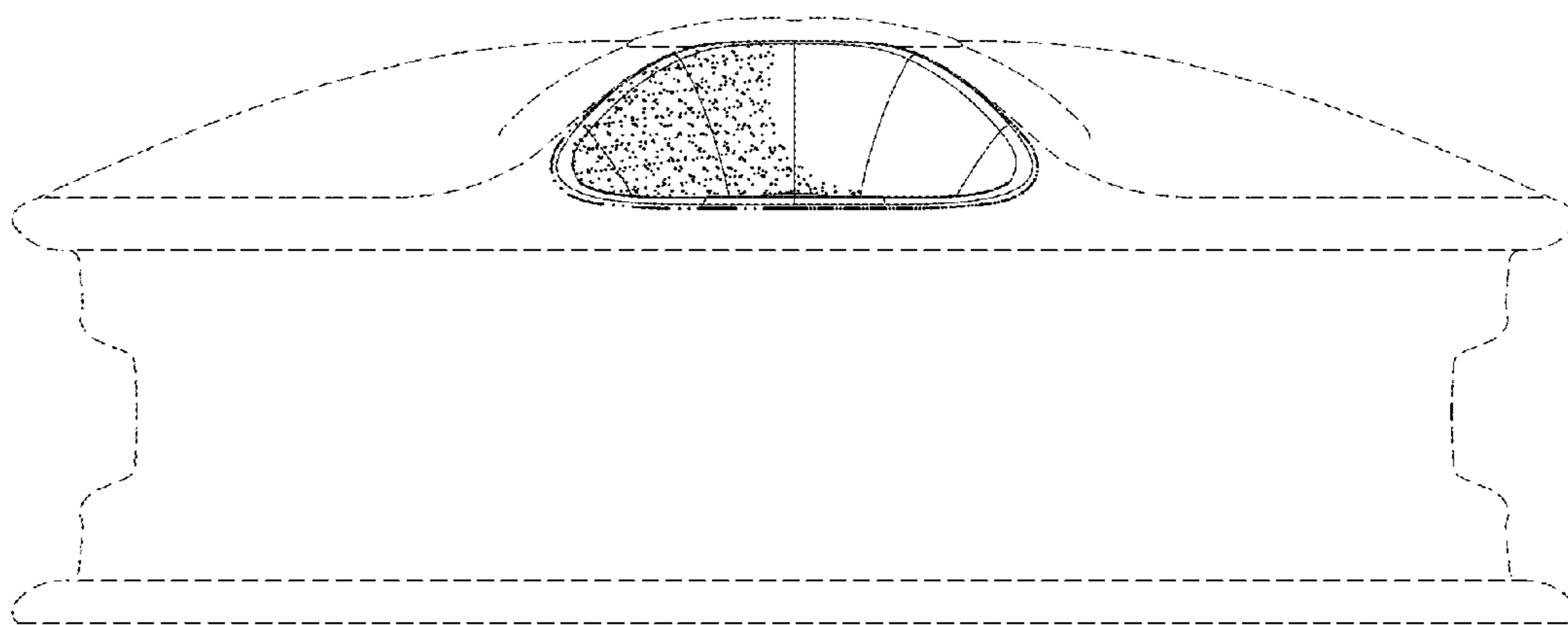


FIG. 5