



US00D770347S

(12) **United States Design Patent** (10) **Patent No.:** **US D770,347 S**
Lindsey (45) **Date of Patent:** **** Nov. 1, 2016**

(54) **LEFT FRONT FENDER FOR A VEHICLE**

OTHER PUBLICATIONS

(71) Applicant: **Robert Lindsey**, Braselton, GA (US)

<https://www.facebook.com/ElanMotorsports>—Earliest Publication Date Jul. 3, 2015.*

(72) Inventor: **Robert Lindsey**, Braselton, GA (US)

<https://www.youtube.com/watch?v=Bcr6Dxvg9EM>—Published Dec. 23, 2015.*

(73) Assignee: **DELTA WING TECHNOLOGY GROUP, INC.**, Braselton, GA (US)

<http://www.trackhq.com/forums/f303/nasa-elan-np01-thread-8744/>—Published Sep. 9, 2015.*

(**) Term: **15 Years**

<https://www.motul.com/mx/en/news/events-racing/european-le-mans-series-france-le-castellet>—Published Mar. 19, 2012.*

(21) Appl. No.: **29/535,006**

* cited by examiner

(22) Filed: **Aug. 3, 2015**

Primary Examiner — Manpreet Matharu

(51) **LOC (10) Cl.** **12-16**

Assistant Examiner — Mojtaba Tehrani

(52) **U.S. Cl.**
USPC **D12/186**

(74) *Attorney, Agent, or Firm* — Withers & Keys, LLC

(58) **Field of Classification Search**
USPC D12/86, 90–92, 184–186, 190, 196;
D21/424–425, 433–434
CPC B60R 13/04; B60R 19/54; B62D 25/12;
B62D 27/026; B62D 35/005; B60J 5/0412
See application file for complete search history.

(57) **CLAIM**
The ornamental design for a left front fender for a vehicle, as shown and described.

(56) **References Cited**

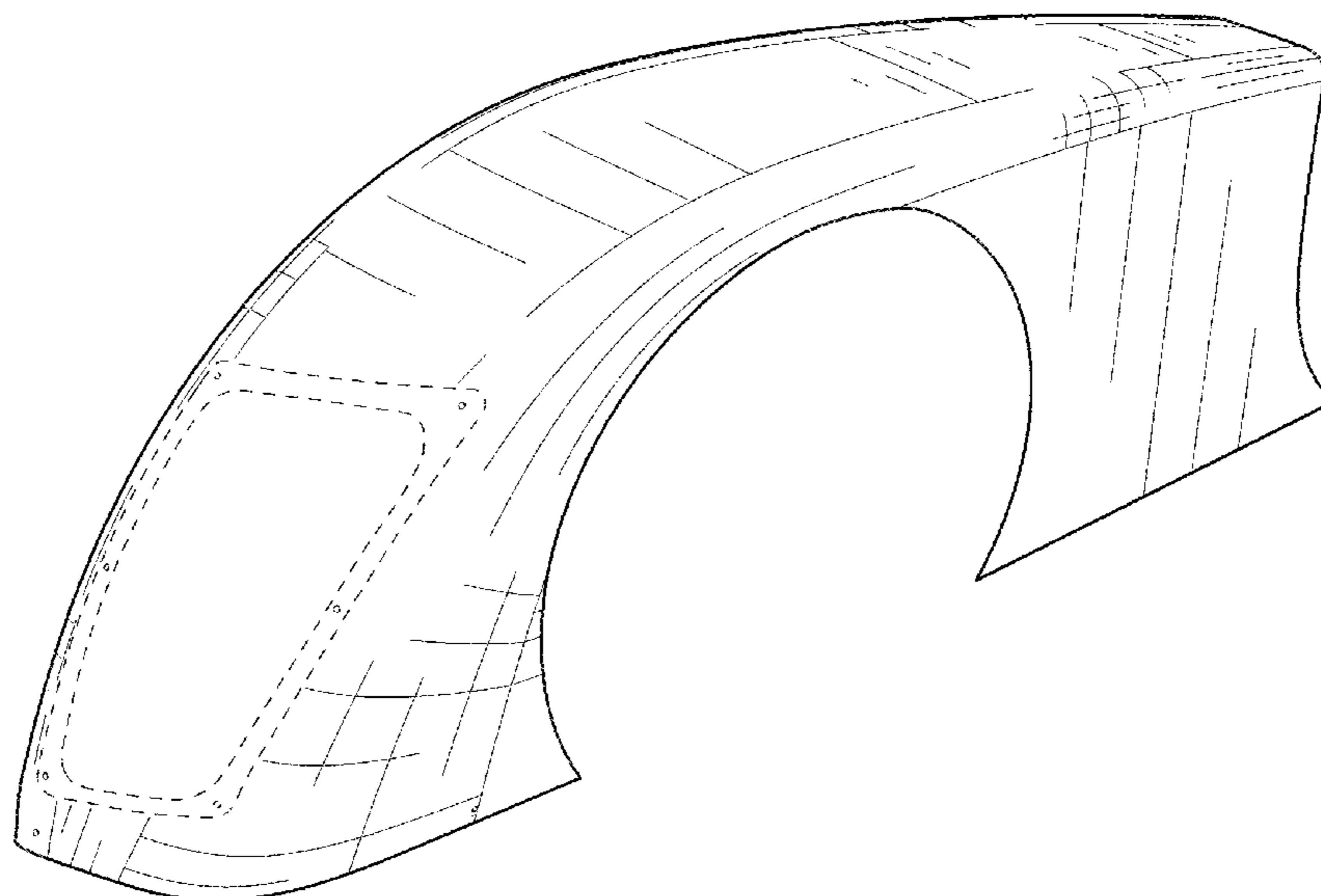
DESCRIPTION

U.S. PATENT DOCUMENTS

D211,378 S *	6/1968	St. John	D12/92
D218,340 S *	8/1970	McLaren	D12/91
D424,475 S *	5/2000	Cook	D12/91
D424,981 S *	5/2000	Cook	D12/91
D432,051 S *	10/2000	Lee	D12/92
D438,144 S *	2/2001	Hettler	D12/88
D526,598 S *	8/2006	Singer	D12/88
D597,442 S *	8/2009	Steinhauser	D12/88
D692,348 S *	10/2013	Whelan	D12/92
D699,650 S *	2/2014	Peltola	D12/184
D699,651 S *	2/2014	Peltola	D12/184
D721,618 S *	1/2015	Hitzinger	D12/91
D742,280 S *	11/2015	Schramm	D12/88

FIG. 1 is a front-right perspective view of the left front fender for a vehicle, showing my new design; FIG. 2 is a front-left perspective view thereof; FIG. 3 is a right side view thereof; FIG. 4 is a left side view thereof; FIG. 5 is a top view thereof; FIG. 6 is a bottom view thereof; FIG. 7 is a front view thereof; and, FIG. 8 is a rear view thereof. The broken lines shown in the drawings illustrate portions of the left front fender for a vehicle that forms no part of the claimed design.

1 Claim, 8 Drawing Sheets



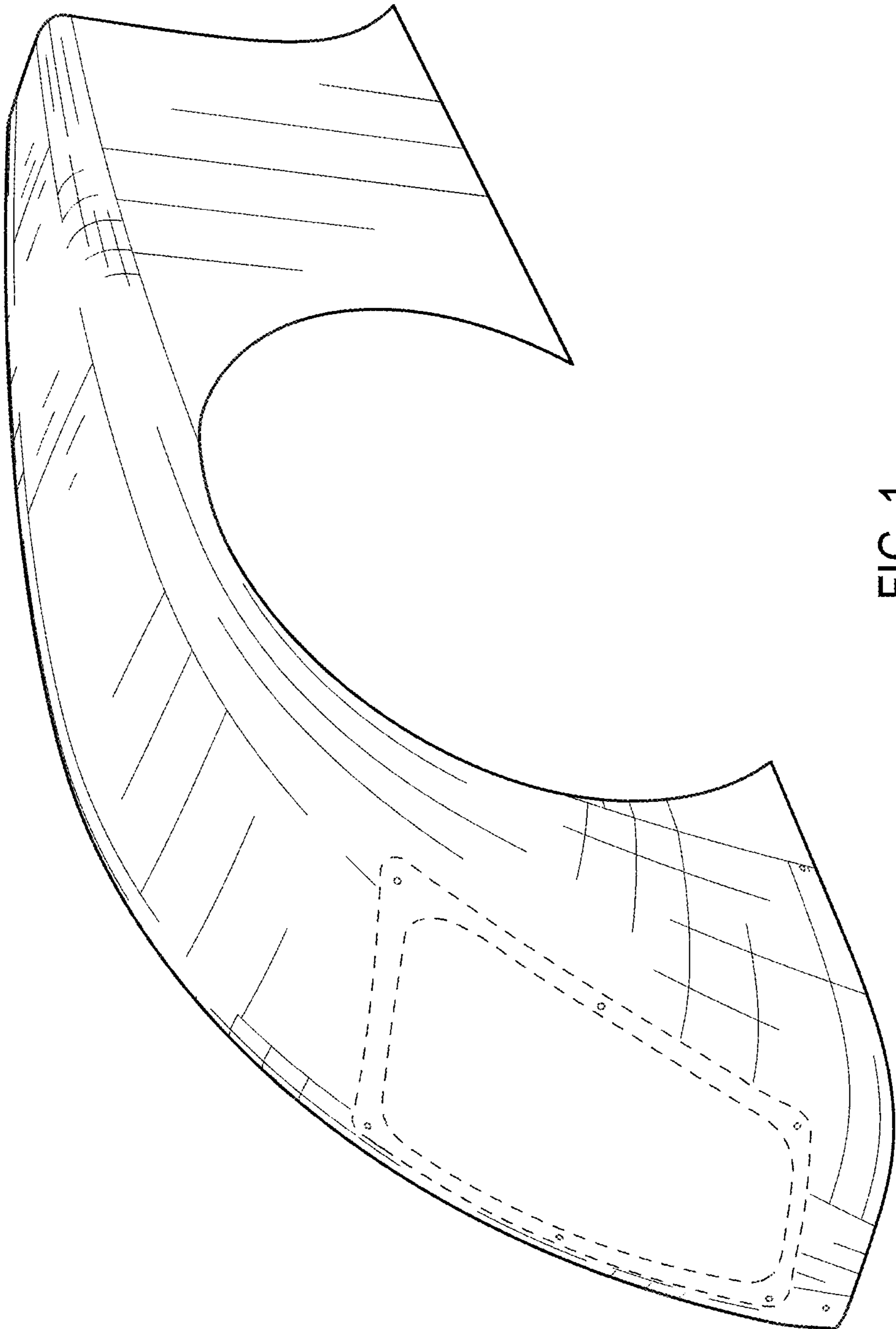


FIG. 1

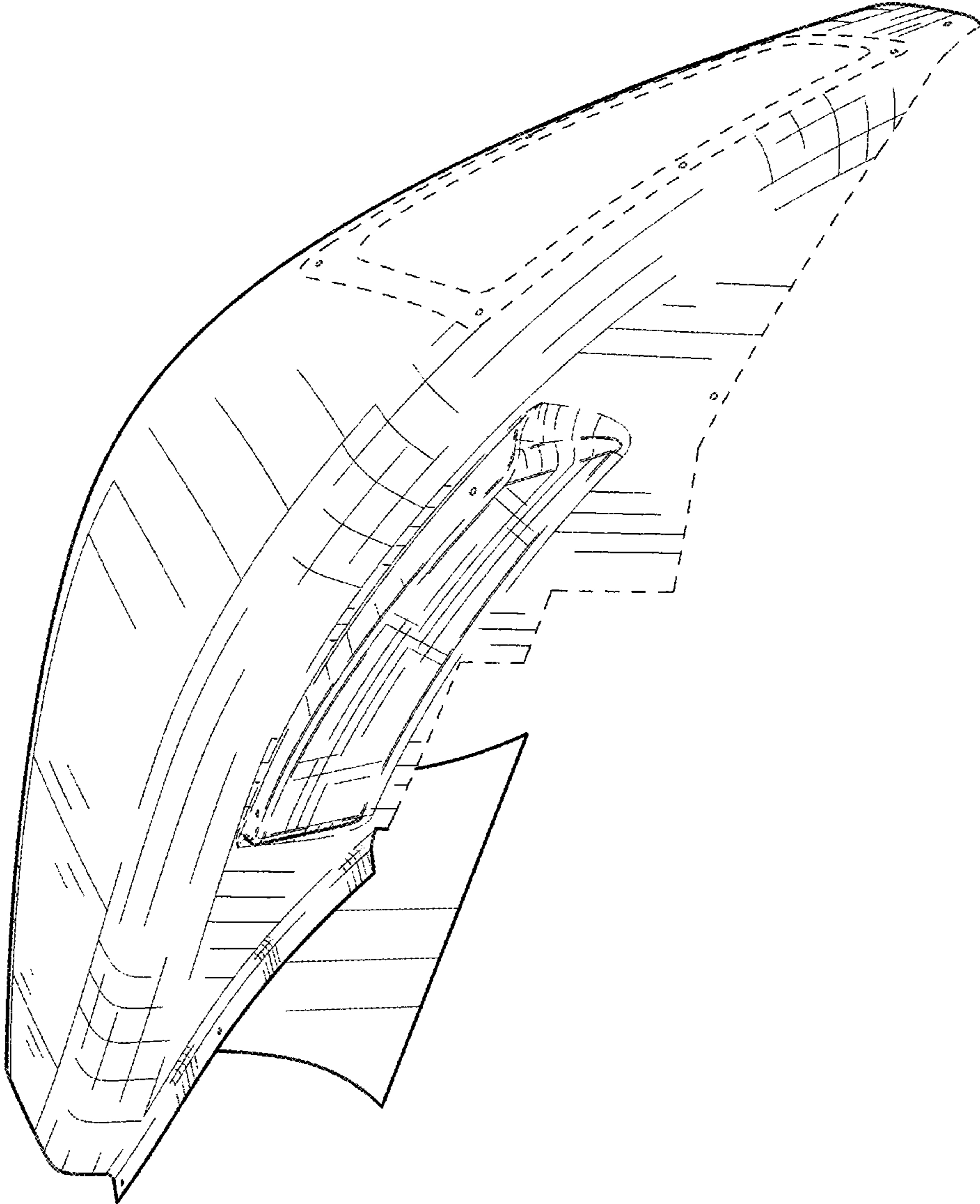


FIG. 2

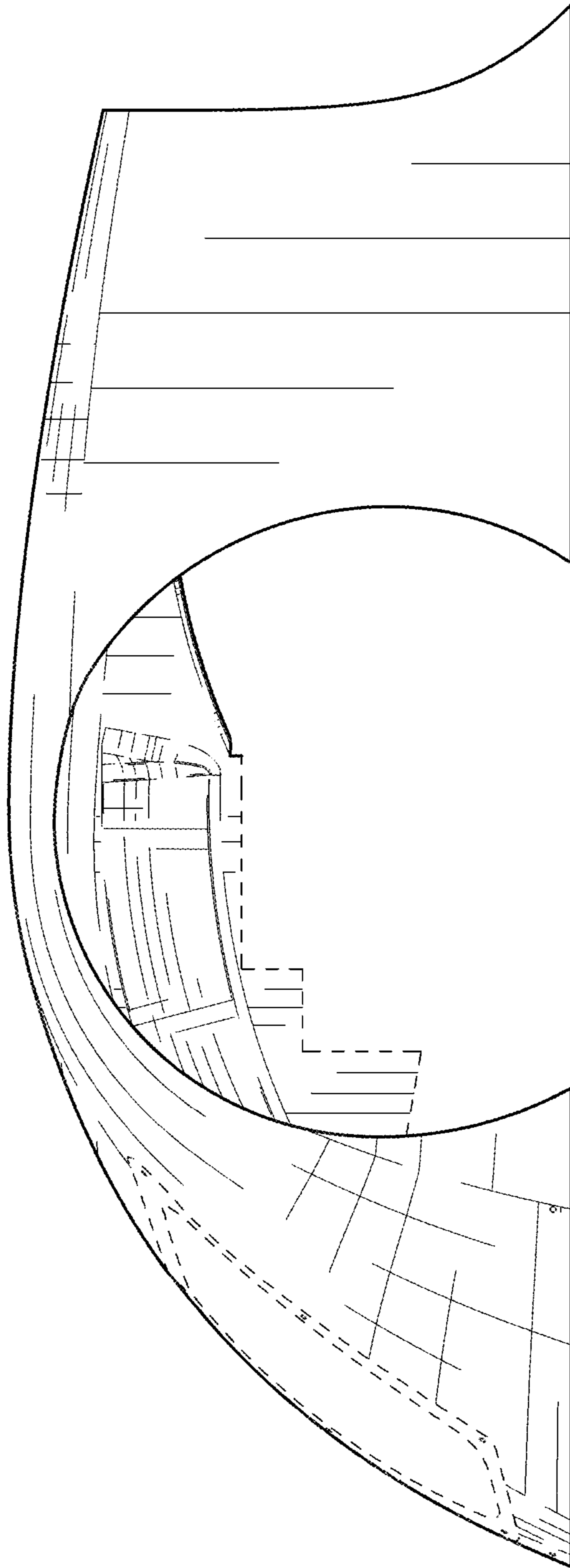


FIG. 3

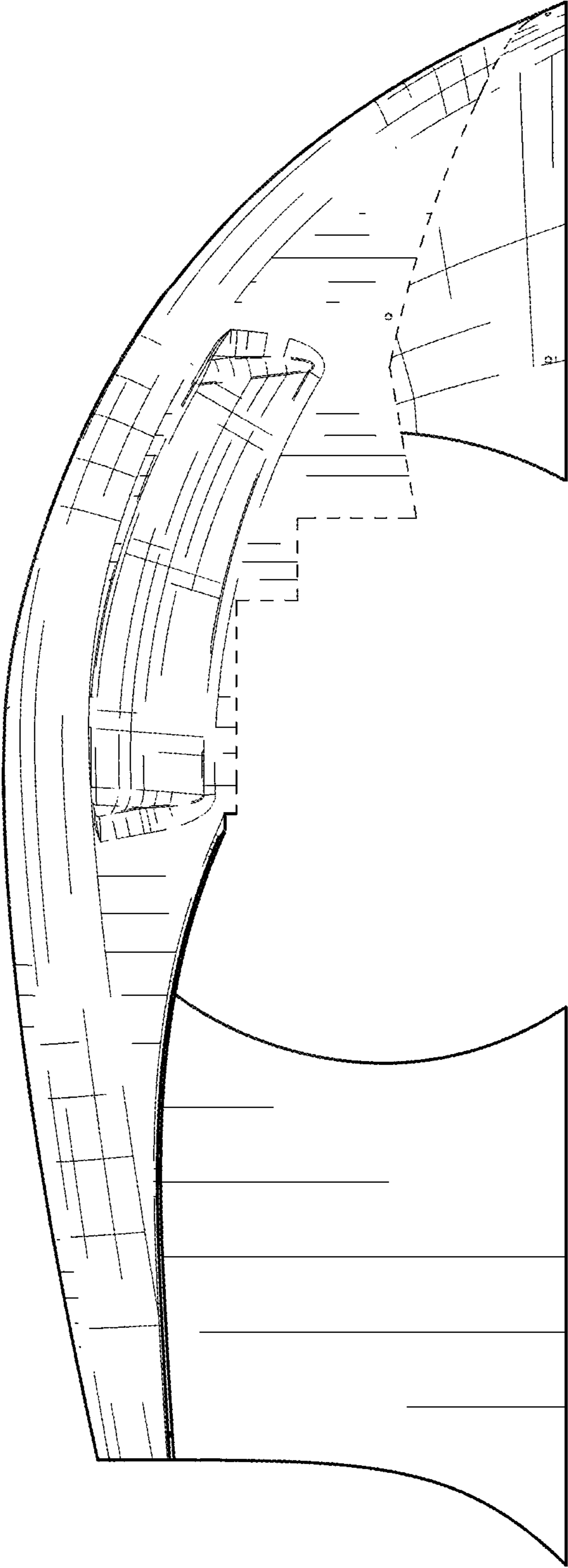


FIG. 4

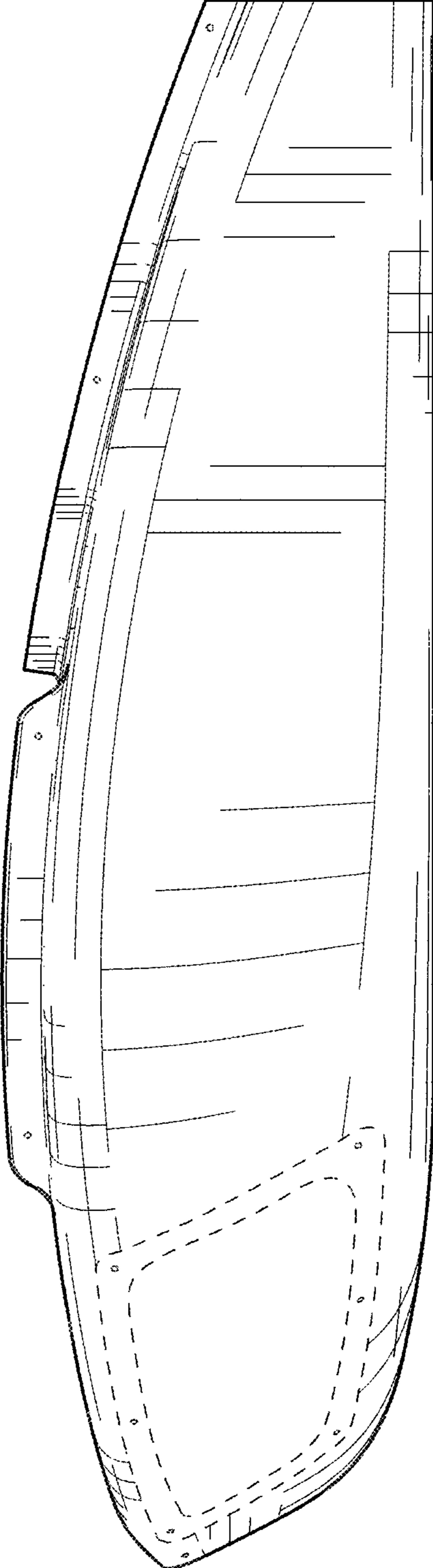


FIG. 5

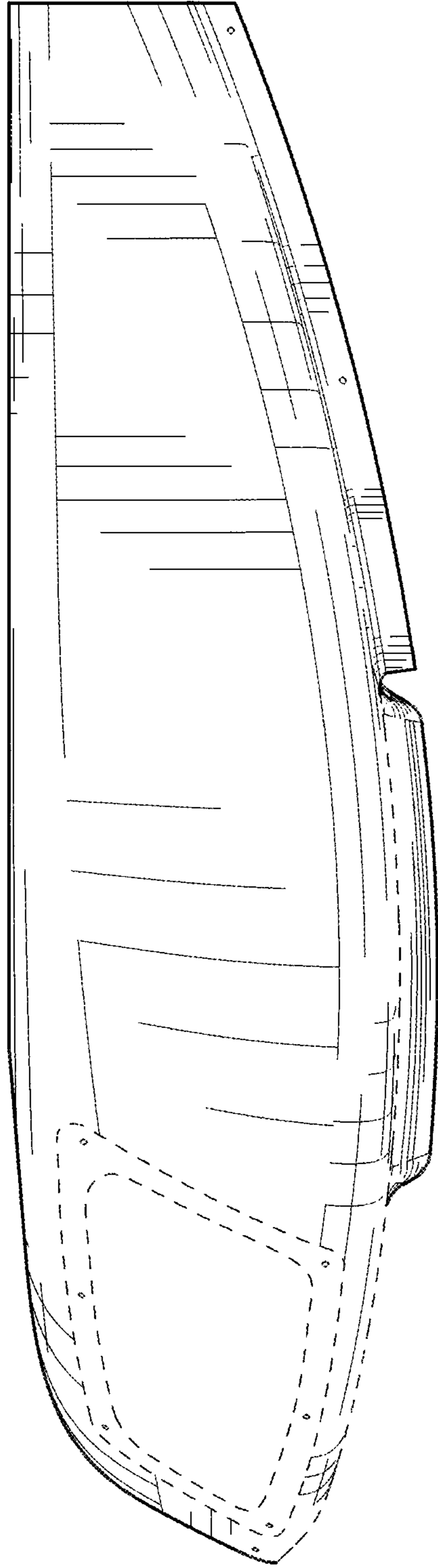


FIG. 6

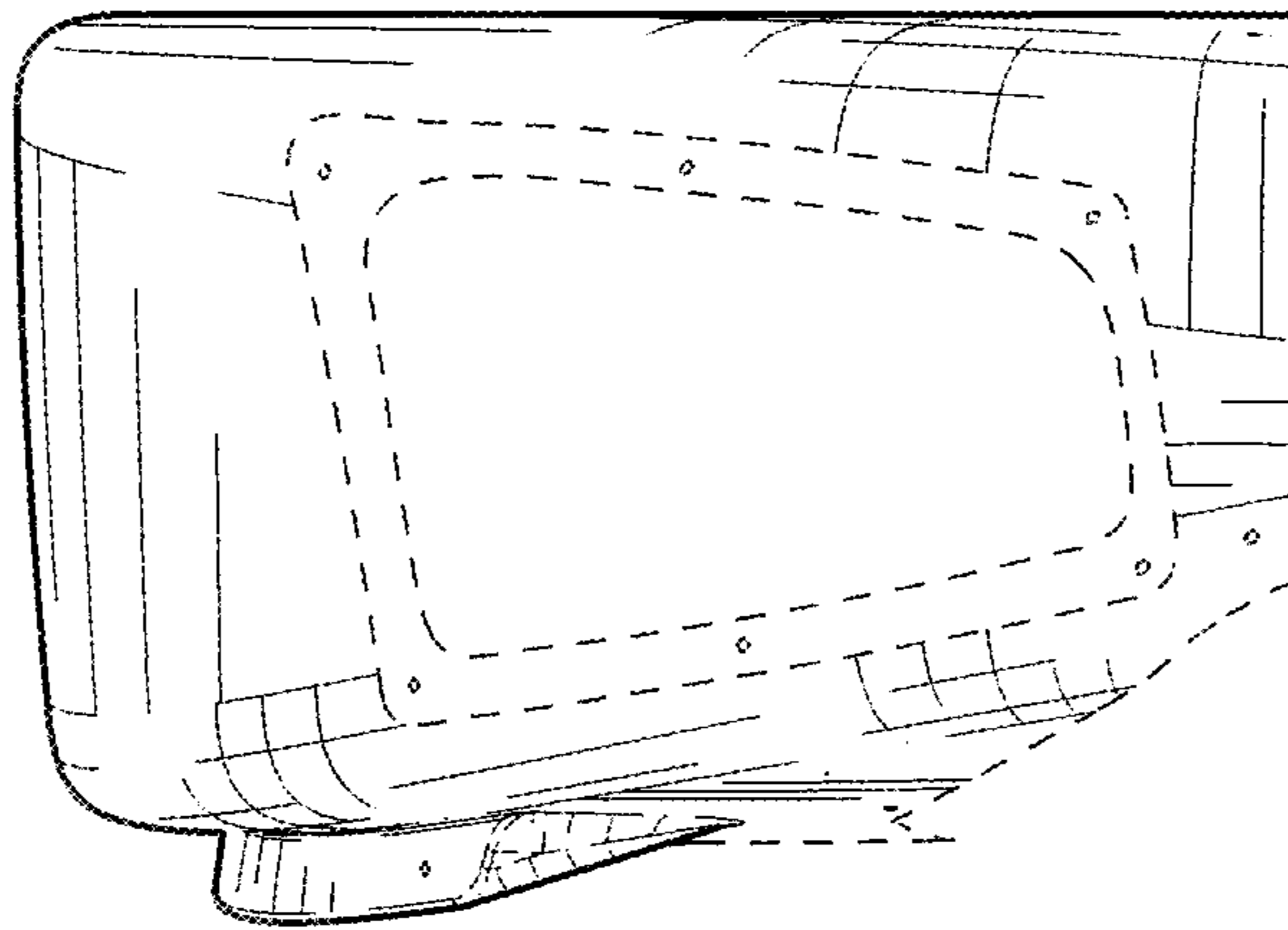


FIG. 7

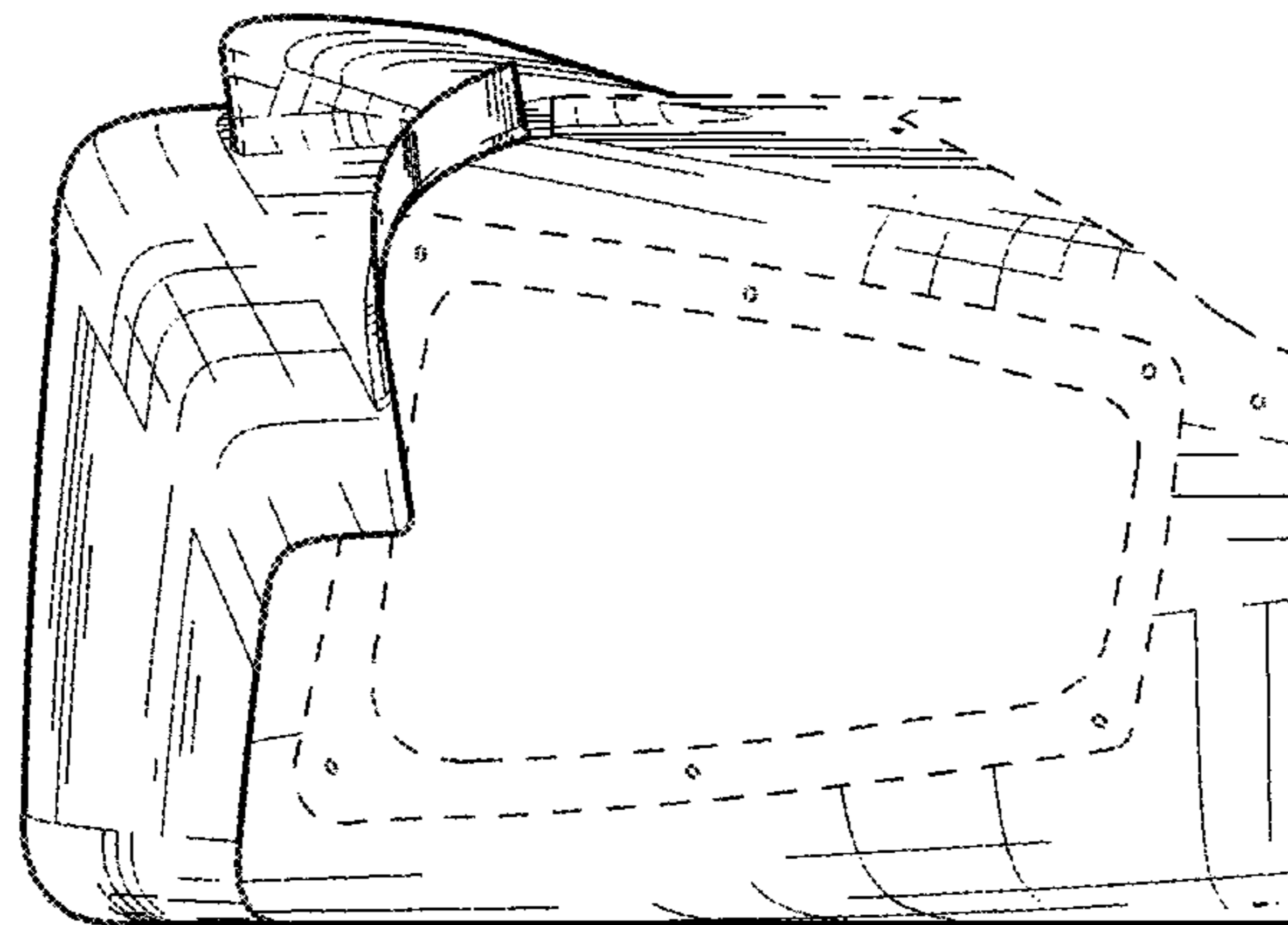


FIG. 8