



US00D770343S

(12) **United States Design Patent**
Hult

(10) **Patent No.:** **US D770,343 S**

(45) **Date of Patent:** **** Nov. 1, 2016**

- (54) **BRAKE ADJUSTER**
- (71) Applicant: **Haldex Brake Products AB**,
Landskrona (SE)
- (72) Inventor: **Bjorn Johan Niklas Hult**, Landskrona
(SE)
- (73) Assignee: **HALDEX BRAKE PRODUCTS AB**,
Landskrona (SE)

(**) Term: **15 Years**

(21) Appl. No.: **29/530,368**

(22) Filed: **Jun. 16, 2015**

(51) **LOC (10) Cl.** **12-16**

(52) **U.S. Cl.**
USPC **D12/180**

(58) **Field of Classification Search**
USPC D12/160, 174, 177, 179, 180, 189, 223,
D12/400, 408, 420
CPC .. F16D 55/22; F16D 55/226; F16D 55/2262;
F16D 65/14; F16D 65/16; F16D 65/18;
F16D 65/22; F16D 65/38; F16D 65/56;
F16D 65/567; F16D 66/02
See application file for complete search history.

(56) **References Cited**

U.S. PATENT DOCUMENTS

- 2,379,796 A * 7/1945 Freeman F16D 65/60
188/196 BA
- 2,522,903 A * 9/1950 Shively F16D 65/60
188/196 BA
- 3,008,344 A * 11/1961 Dracka F16D 65/50
74/522
- 3,356,188 A * 12/1967 Goldman F16D 66/02
116/208
- 3,690,418 A * 9/1972 Devitt F16D 65/56
188/196 BA
- 3,807,535 A * 4/1974 Shimada F16D 65/561
188/325

- 3,949,840 A * 4/1976 Cumming F16D 65/22
188/196 BA
- 4,170,926 A * 10/1979 Emmett F16D 65/14
188/370
- 4,319,668 A * 3/1982 Johnson F16D 55/2262
188/72.4
- D268,831 S * 5/1983 Potter D12/180
- 4,394,890 A * 7/1983 Kleinhagen, Jr. F16D 65/567
188/71.9
- 4,623,047 A * 11/1986 Kleinhagen, Jr. F16D 65/22
188/196 BA

(Continued)

OTHER PUBLICATIONS

Slack Adjusters, image post date 2008, site visited Jun. 27, 2016,
(online), <<http://www.brakeadjusters.com/sell-2409163-haldex-automatic-slack-adjuster-for-kamaz-truck-parts-79258.html>>.*

(Continued)

Primary Examiner — Kevin Rudzinski
Assistant Examiner — Sean D Lough
(74) *Attorney, Agent, or Firm* — Foley & Lardner LLP

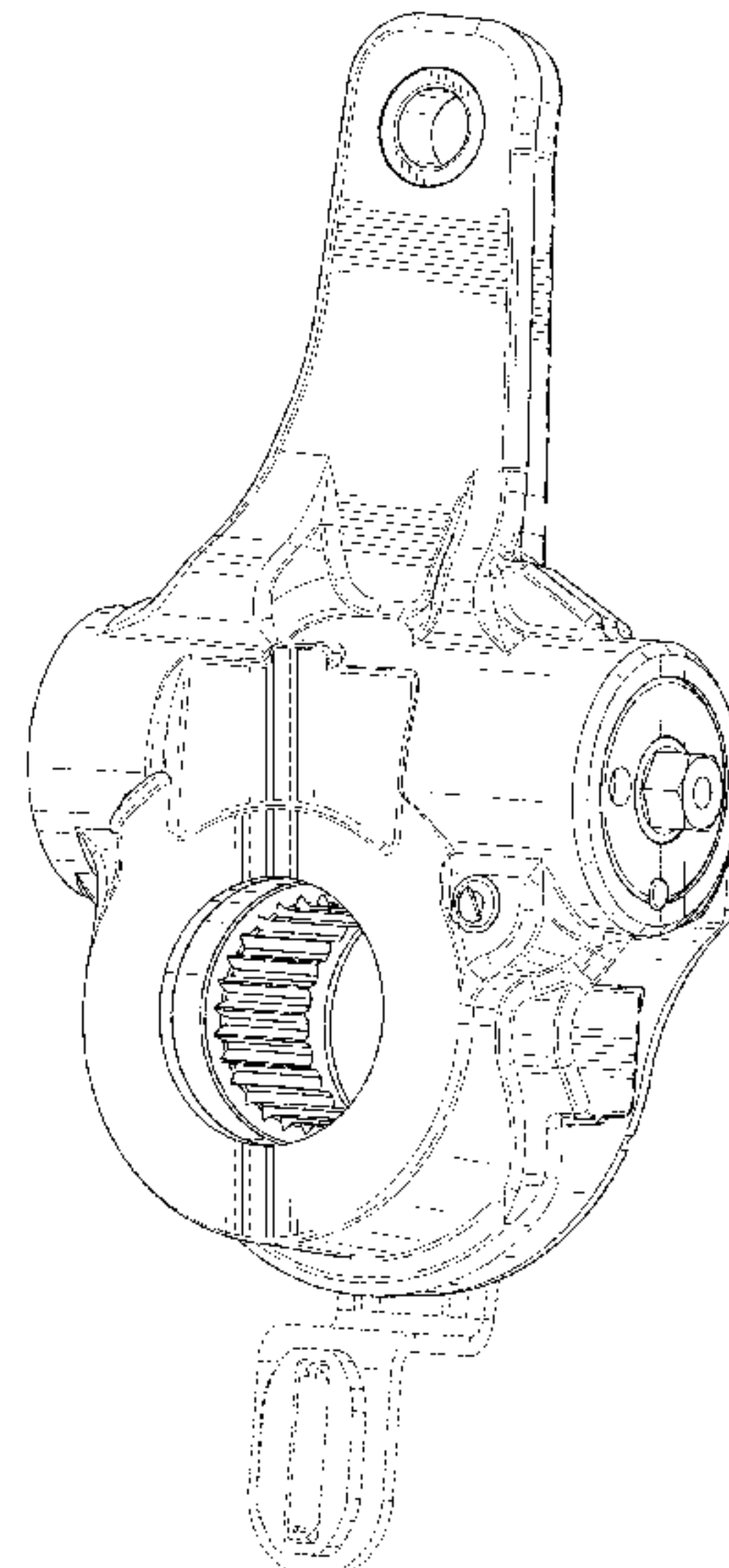
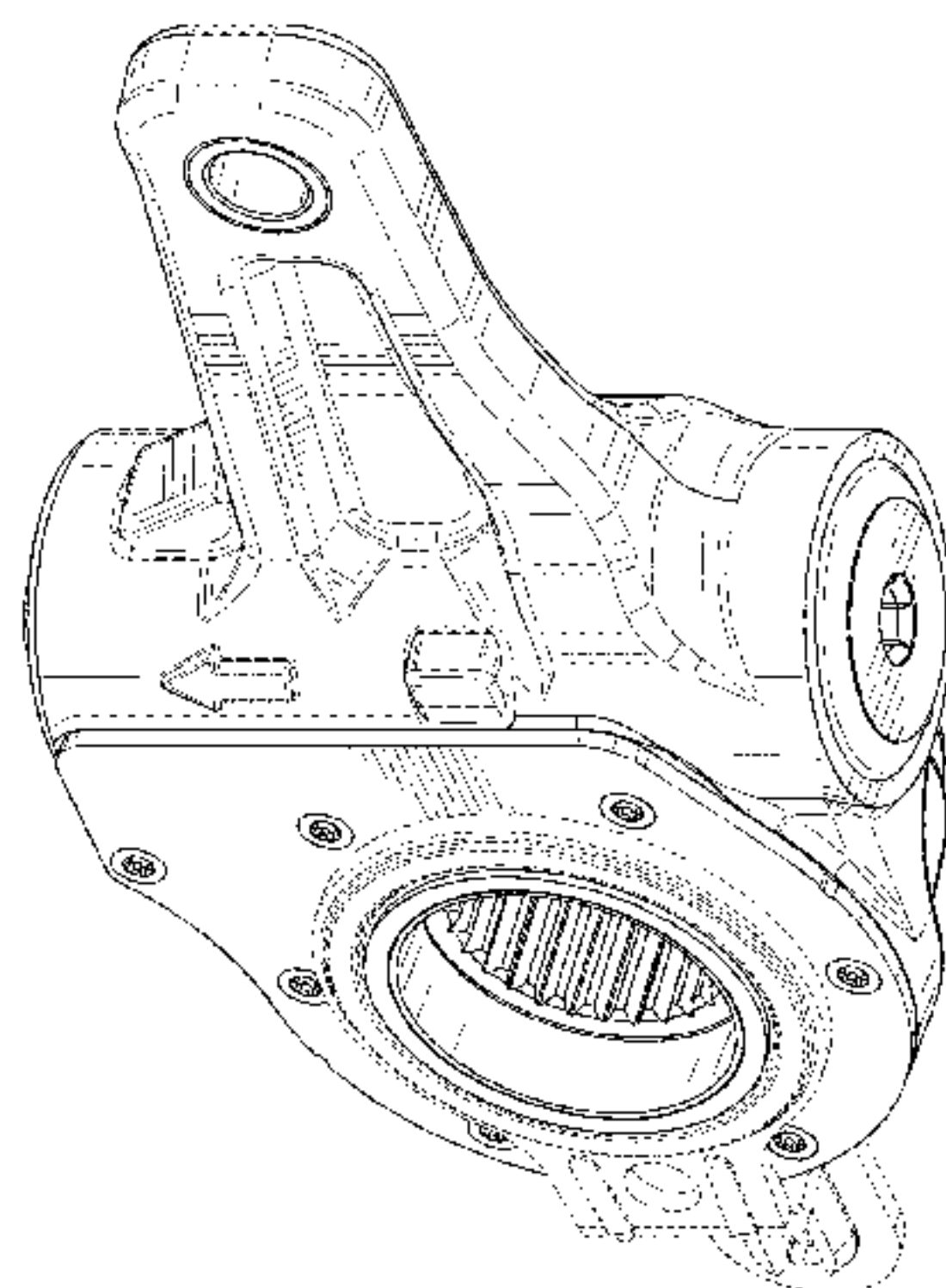
(57) **CLAIM**

I claim the ornamental design for a brake adjuster, as shown and described.

DESCRIPTION

FIG. 1 is a first perspective view of the claimed design;
FIG. 2 is a second perspective view thereof;
FIG. 3 is a left side view thereof;
FIG. 4 is a right side view thereof;
FIG. 5 is a front view thereof;
FIG. 6 is a rear view thereof;
FIG. 7 is a top view thereof; and,
FIG. 8 is a bottom view thereof.
The broken lines in the drawings illustrate portions of the brake adjuster that form no part of the claimed design.

1 Claim, 7 Drawing Sheets



(56)

References Cited

U.S. PATENT DOCUMENTS

4,632,229 A * 12/1986 Kleinhagen, Jr. F16D 65/18
188/196 D
4,683,991 A * 8/1987 Kanjo B61H 15/00
188/197
4,809,820 A * 3/1989 Smith F16D 65/50
188/196 M
4,844,211 A * 7/1989 Nosse F16B 21/183
188/330
4,880,085 A * 11/1989 Taylor F16D 65/22
188/196 V
5,022,500 A * 6/1991 Wang F16D 55/226
188/71.1
5,327,999 A * 7/1994 Nelander F16D 65/60
188/196 BA
5,358,076 A * 10/1994 Lucas F16D 66/02
116/208
D372,035 S * 7/1996 Casey D15/11
5,535,854 A * 7/1996 Prince F16D 66/02
188/1.11 R
D374,205 S * 10/1996 Levinkron D12/179
5,689,231 A * 11/1997 Olson B60Q 1/441
116/208
D391,824 S * 3/1998 Larson D8/303
5,913,385 A * 6/1999 Thibodeau B60T 17/08
116/208
6,059,074 A * 5/2000 Crewson F16D 65/60
188/1.11 R
6,105,730 A * 8/2000 Ekeroth F16D 65/60
188/1.11 L
6,250,438 B1 * 6/2001 Chern B62L 1/00
188/72.3
6,390,244 B1 * 5/2002 Sitter F16D 66/02
188/1.11 W
6,408,993 B1 * 6/2002 Truuvert F16D 65/60
188/196 BA
D462,256 S * 9/2002 Jaynes D12/160
D467,534 S * 12/2002 Tomlinson D12/419
D468,666 S * 1/2003 Miller D12/174
6,585,086 B2 * 7/2003 Ortegran F16D 65/183
188/71.1
D491,500 S * 6/2004 Fujiwara D12/180
D491,509 S * 6/2004 Bundy D12/203
7,032,717 B2 * 4/2006 Gripemark F16D 65/847
188/18 A
D526,950 S * 8/2006 Bareket D12/223
D540,244 S * 4/2007 Racek D12/223
D543,492 S * 5/2007 Lyew D12/159
D553,054 S * 10/2007 Kuo D12/114
7,353,917 B2 * 4/2008 Gripemark F16D 55/24
188/18 A
7,445,093 B2 * 11/2008 Kaell F16D 55/00
188/72.3
D590,309 S * 4/2009 Higashikawa D12/174
D595,627 S * 7/2009 Danielsson D12/180
7,559,414 B2 * 7/2009 Lumpkin B60T 7/102
188/24.11
D605,985 S * 12/2009 Pennala D12/160
D607,794 S * 1/2010 Bridge D12/180
7,681,698 B2 * 3/2010 Gripemark F16D 65/12
188/18 A
D624,004 S * 9/2010 Farber D12/408
D632,625 S * 2/2011 Tezak D12/195
D658,038 S * 4/2012 Ghatikar D8/354
D658,480 S * 5/2012 Pratt D8/349
D659,164 S * 5/2012 Tomlinson D15/5
D663,913 S * 7/2012 Alder D34/35

8,220,681 B2 * 7/2012 Farber B60R 9/06
224/532
D686,113 S * 7/2013 Lin D12/114
D686,551 S * 7/2013 Lyle D12/181
D687,353 S * 8/2013 Dunn D12/162
D688,171 S * 8/2013 Cirino D12/162
D690,246 S * 9/2013 Giordano D12/187
D695,207 S * 12/2013 Dams D10/98
D696,098 S * 12/2013 Wada D8/354
D696,100 S * 12/2013 Wada D8/354
D727,361 S * 4/2015 Rabbitt D15/5
9,097,305 B2 * 8/2015 Onnestam F16D 65/60
D738,184 S * 9/2015 Harvey D8/303
D753,473 S * 4/2016 Pirolo D12/223
D754,042 S * 4/2016 Pennington D12/181
D755,683 S * 5/2016 Goodlow D12/114
9,353,814 B2 * 5/2016 Seglo F16D 66/025
2002/0153772 A1 * 10/2002 Bunker B60T 7/042
303/186
2002/0162709 A1 * 11/2002 Drennen F16D 65/18
188/72.1
2003/0106748 A1 * 6/2003 Bunker F16D 55/28
188/72.6
2004/0011603 A1 * 1/2004 Yokoyama B60T 13/741
188/72.7
2004/0040793 A1 * 3/2004 Feng B60T 11/046
188/2 D
2005/0211506 A1 * 9/2005 Painchaud F16D 65/28
184/104.1
2006/0076195 A1 * 4/2006 Salazar F16D 66/02
188/1.11 R
2007/0045060 A1 * 3/2007 Pettersson B60T 17/22
188/72.1
2008/0000732 A1 * 1/2008 Chen F16D 49/16
188/74
2010/0170757 A1 * 7/2010 Dhawan F16D 55/22
188/73.39
2014/0015214 A1 * 1/2014 Galazin B60G 9/003
280/124.128
2014/0216865 A1 * 8/2014 Gripemark F16D 65/60
188/79.55
2015/0260245 A1 * 9/2015 Usui F16D 65/22
188/78
2016/0017946 A1 * 1/2016 Sandberg F16D 65/18
188/71.8

OTHER PUBLICATIONS

Various Slack Adjusters, image post date 2011, site visited Jun. 27, 2016, (online), <<http://www.everychina.com/m-volvo-automatic-slack-adjuster-for-truck-parts>>.*
Automatic Slack Adjusters, image post date 2016, site visited Jun. 27, 2016, (online), <<http://www.wsaslackadjuster.com/manufacturer-154151-automatic-slack-adjuster-for-truck>>.*
Self-Setting Brake Adjuster, image post date Sep. 29, 2014, site visited Jun. 27, 2016, (online), <<http://web.archive.org/web/20140929200126/http://www.vehicleservicepros.com/company/10121485/haldex-brake-products>>.*
Genuine Spicer Slack Adjuster, image post date Jan. 18, 2016, site visited Jun. 27, 2016, (online), <<http://www.ebay.ca/itm/GENUINE-SPICER-SLACK-ADJUSTER-975715-ETN0975715-4C4Z-2308-BA-7B09-10096-/191496383217>>.*
Truck slack adjusters, image post date Jul. 4, 2015, site visited Jun. 27, 2016, (online), <<http://web.archive.org/web/20150704065557/http://www.lulusoso.com/products/Truck-Slack-Adjuster.html>>.*
Haldex, "Automatic Brake Adjusters" brochure, copyright 2008, last revised Jan. 2009, 4 pages.

* cited by examiner

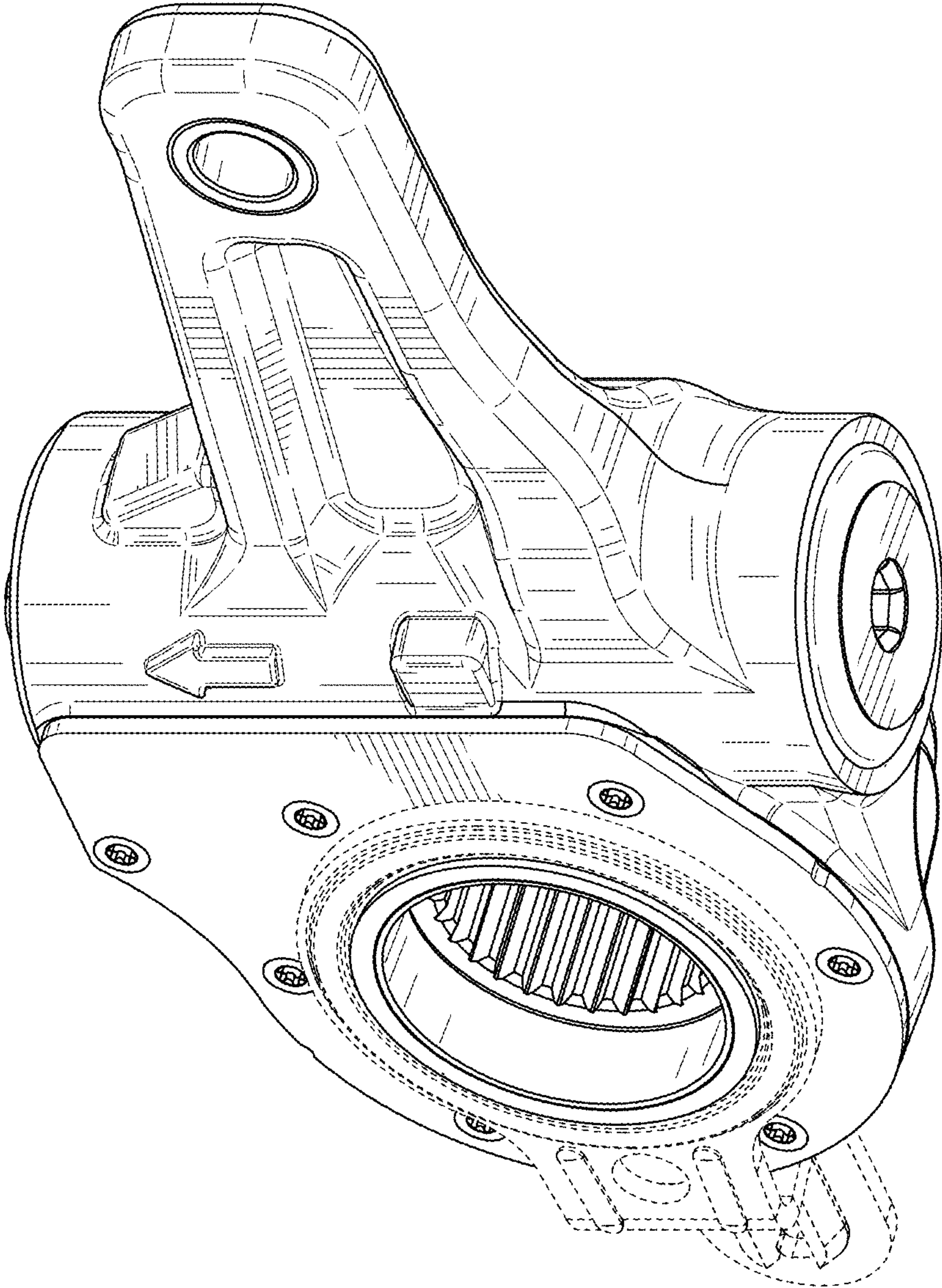


FIG. 1

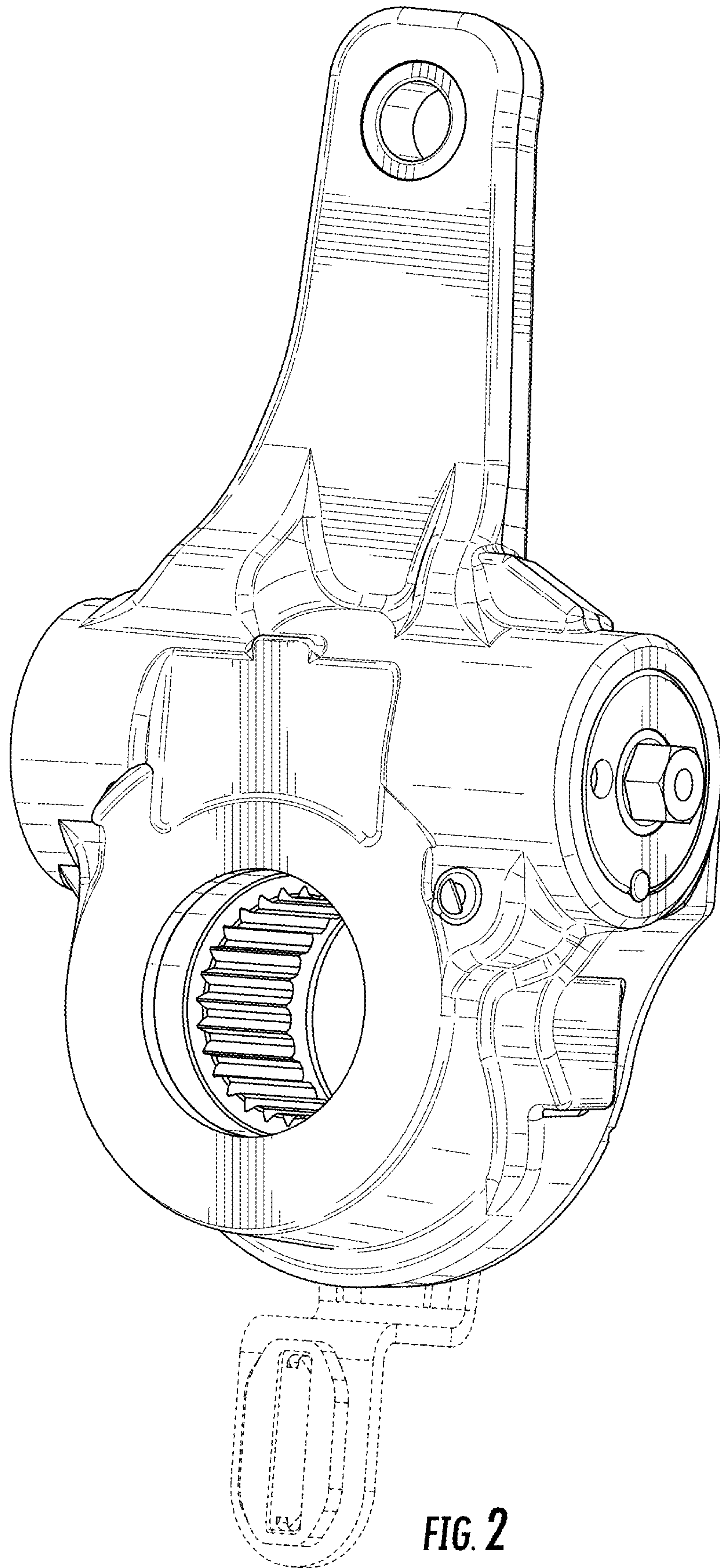


FIG. 2

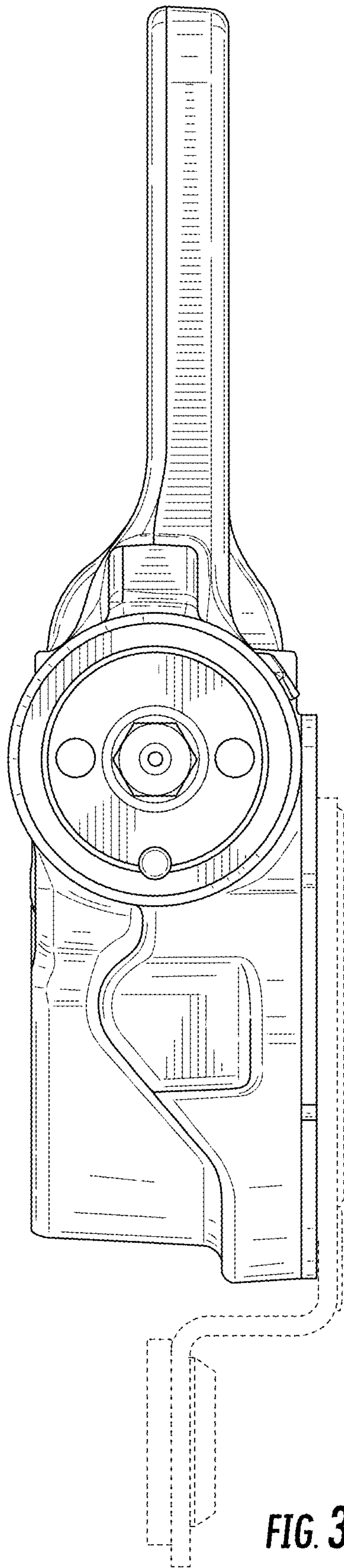


FIG. 3

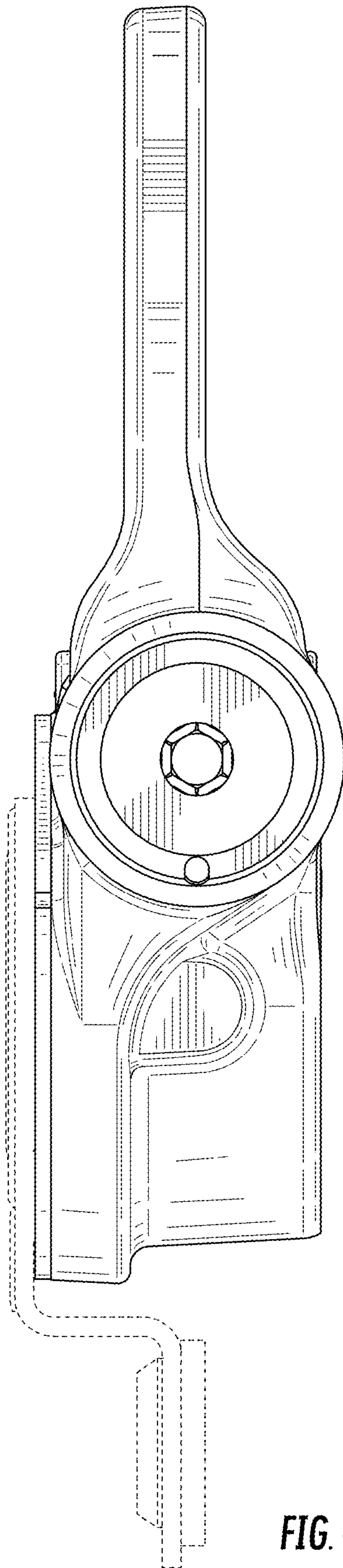


FIG. 4

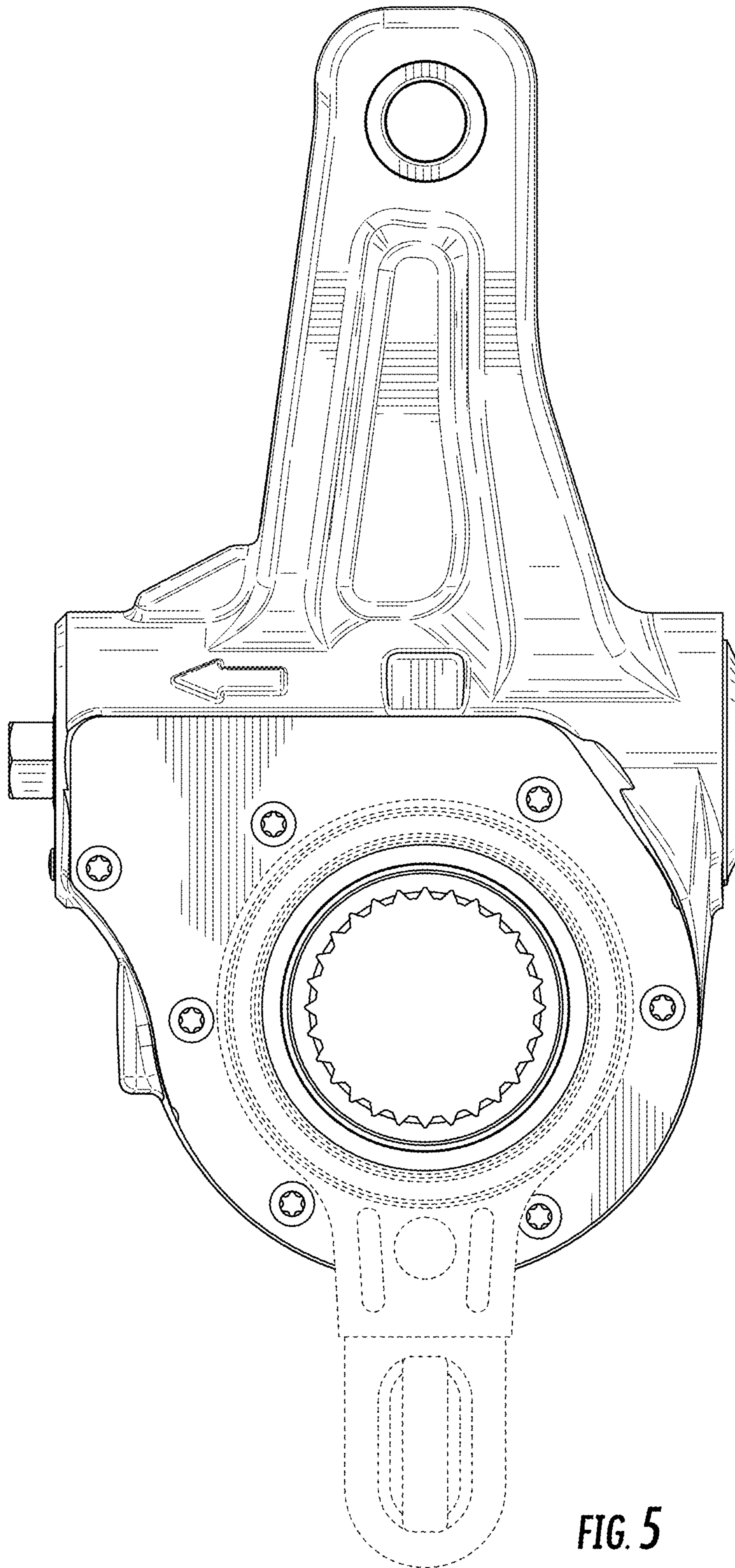


FIG. 5

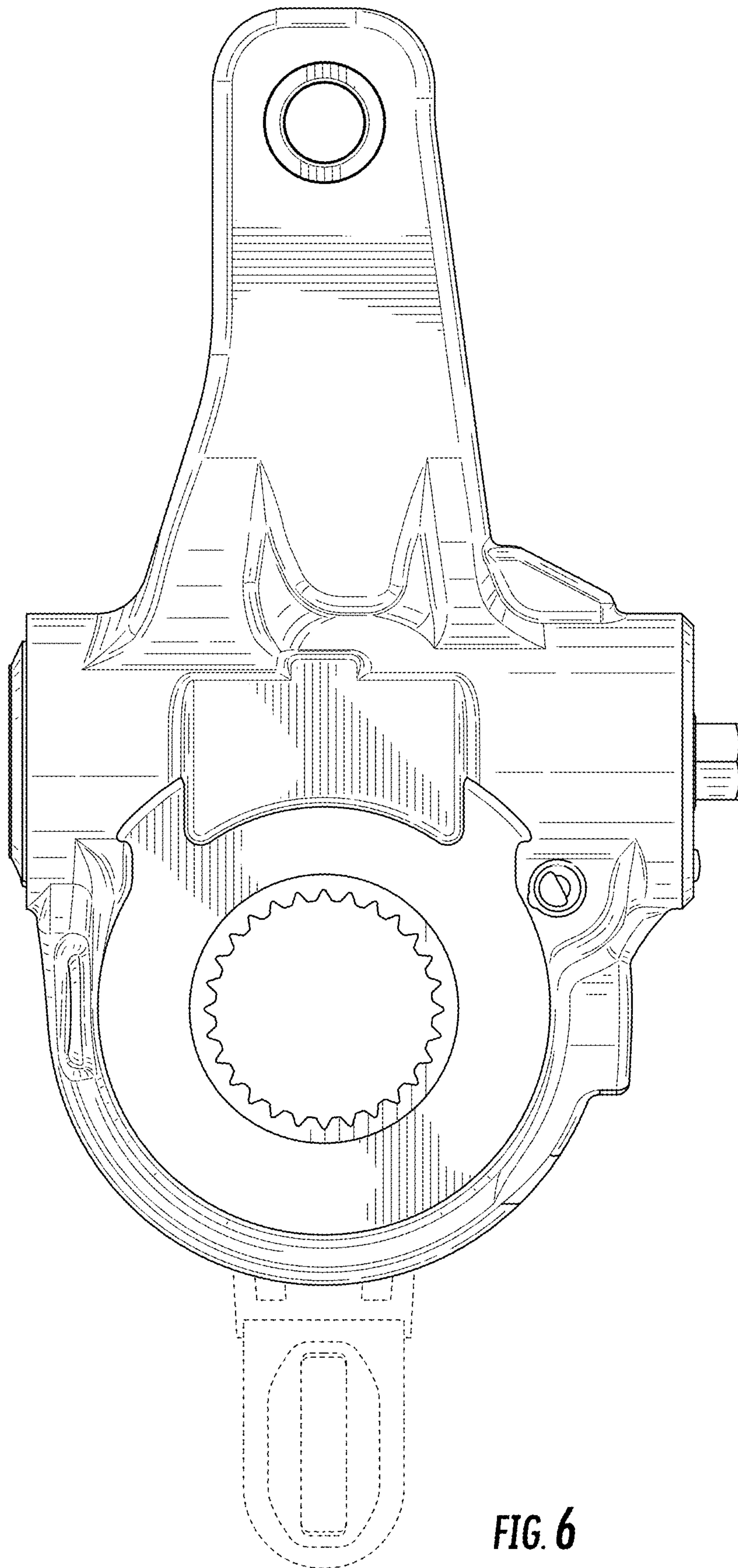


FIG. 6

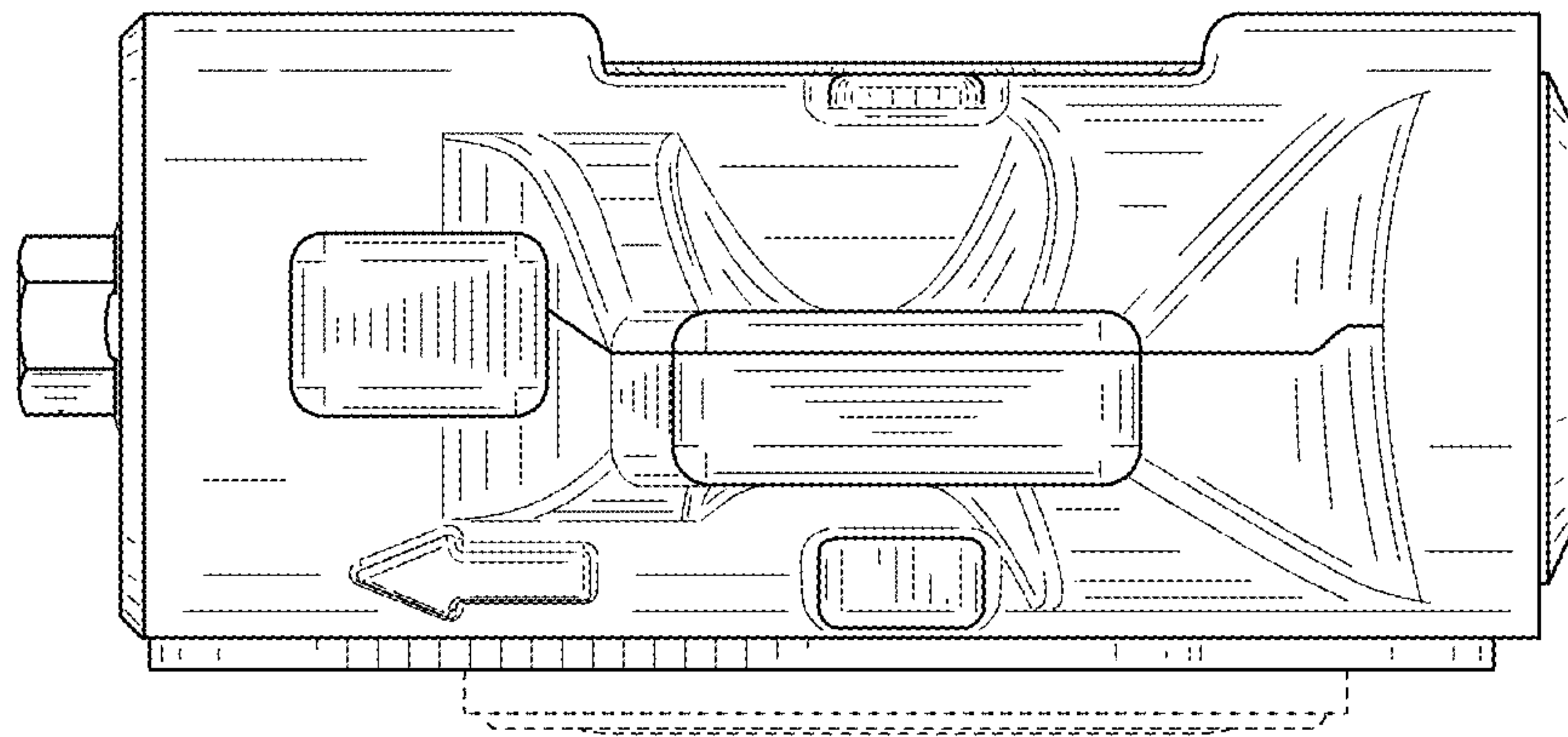


FIG. 7

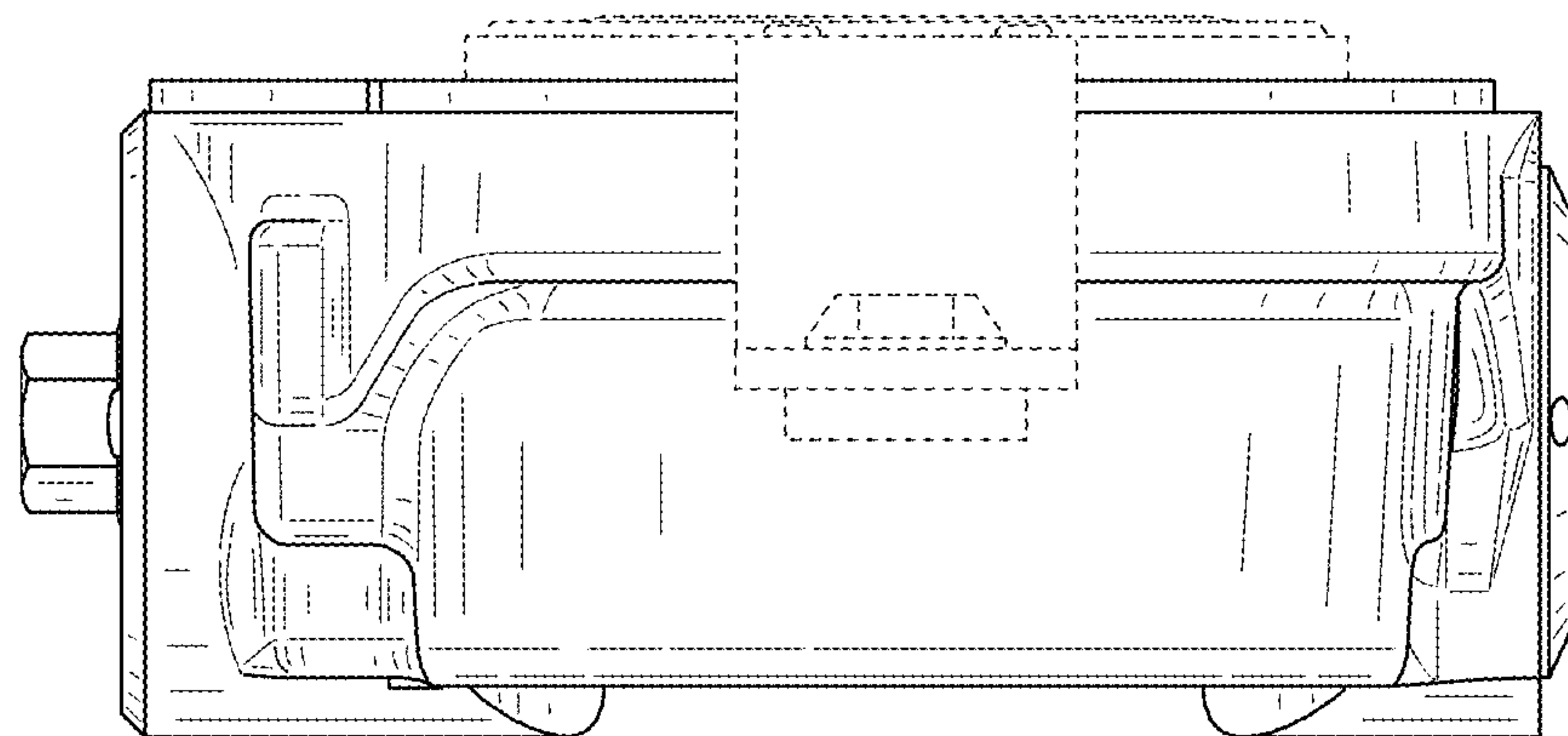


FIG. 8