



US00D770342S

(12) **United States Design Patent**
Pohanka

(10) **Patent No.:** **US D770,342 S**

(45) **Date of Patent:** **** Nov. 1, 2016**

(54) **STEERING WHEEL FOR MOTOR VEHICLE**

(71) Applicant: **Dr. Ing. h.c. F. Porsche**
Aktiengesellschaft, Stuttgart (DE)

(72) Inventor: **Martin Pohanka, Stuttgart (DE)**

(73) Assignee: **Dr. Ing. h.c. F. Porsche**
Aktiengesellschaft, Stuttgart (DE)

(**) Term: **15 Years**

(21) Appl. No.: **29/564,947**

(22) Filed: **May 17, 2016**

Related U.S. Application Data

(63) Continuation of application No. 29/524,374, filed on
Apr. 20, 2015, now abandoned.

(30) **Foreign Application Priority Data**

Oct. 20, 2014 (DE) 40 2014 100 988

(51) **LOC (10) Cl.** **12-16**

(52) **U.S. Cl.**
USPC **D12/176**

(58) **Field of Classification Search**

USPC D12/175, 176; 74/552, 558, 558.5
CPC B60R 21/203; B60R 21/05; B62D 1/04
See application file for complete search history.

(56) **References Cited**

U.S. PATENT DOCUMENTS

D600,611 S 9/2009 Pohanka
D635,069 S 3/2011 Klein

D663,244 S 7/2012 Won
D672,293 S 12/2012 Toyama
D696,992 S 1/2014 Pohanka
D704,108 S 5/2014 Frank
D706,187 S 6/2014 Tilscher
D710,769 S 8/2014 Cheung
D741,759 S 10/2015 Persson
D743,858 S * 11/2015 Sugiura D12/176
D743,860 S * 11/2015 Nagumo D12/176
D758,933 S * 6/2016 Owaku D12/176
D760,134 S * 6/2016 Montousse D12/176

OTHER PUBLICATIONS

Notice of Allowance for U.S. Appl. No. 29/524,374, mailed Feb. 18,
2016, 10 pages, Abandoned application.

* cited by examiner

Primary Examiner — Melody N Brown

(74) *Attorney, Agent, or Firm* — RatnerPrestia

(57) **CLAIM**

The ornamental design for a steering wheel for motor
vehicle, as shown and described.

DESCRIPTION

FIG. 1 is a front elevation view of a steering wheel for motor
vehicle showing my new design;
FIG. 2 is a top plan view thereof;
FIG. 3 is an elevation view thereof from the left side; and,
FIG. 4 is an elevation view thereof from the right side.

1 Claim, 4 Drawing Sheets

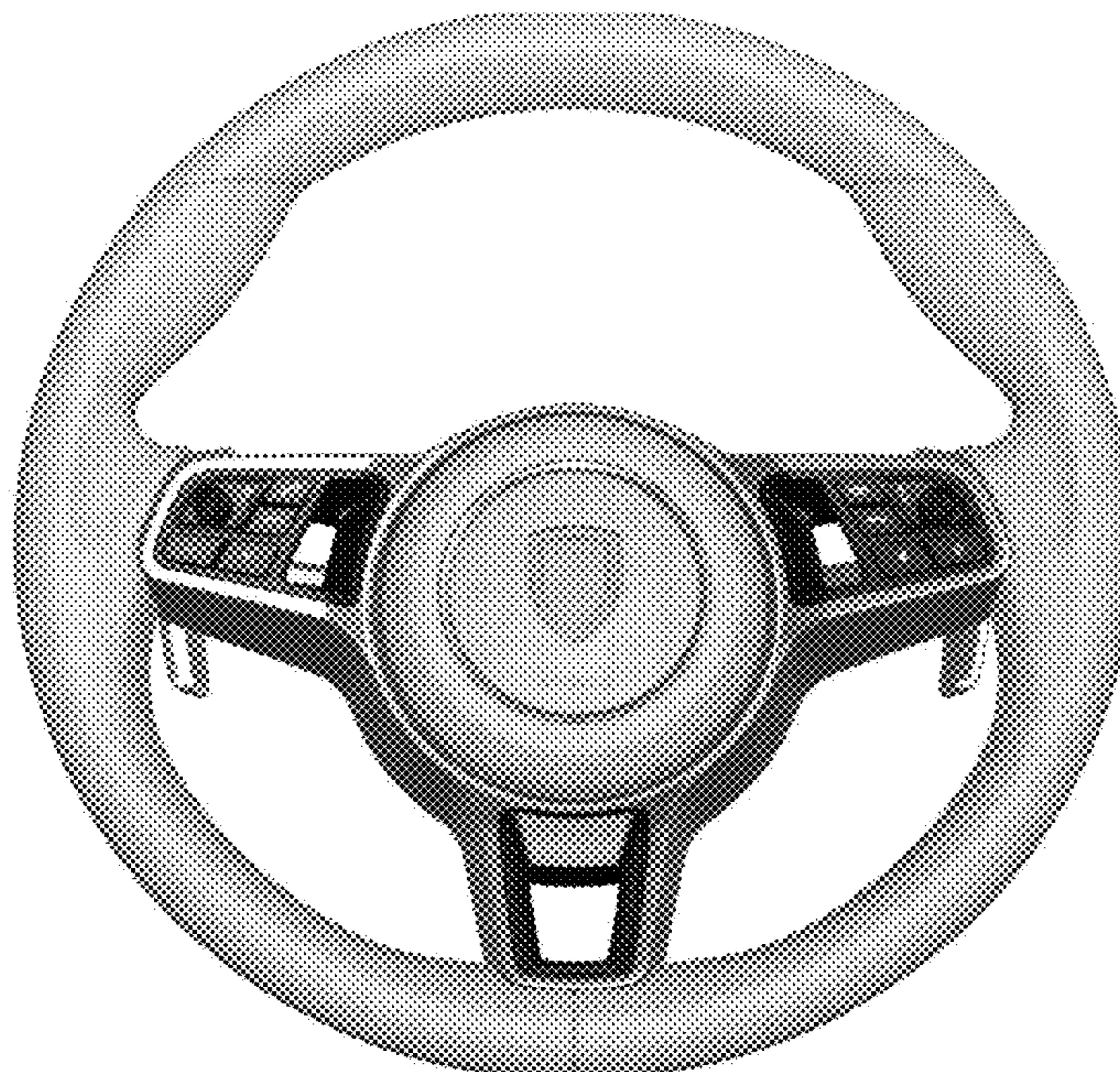




Figure 1

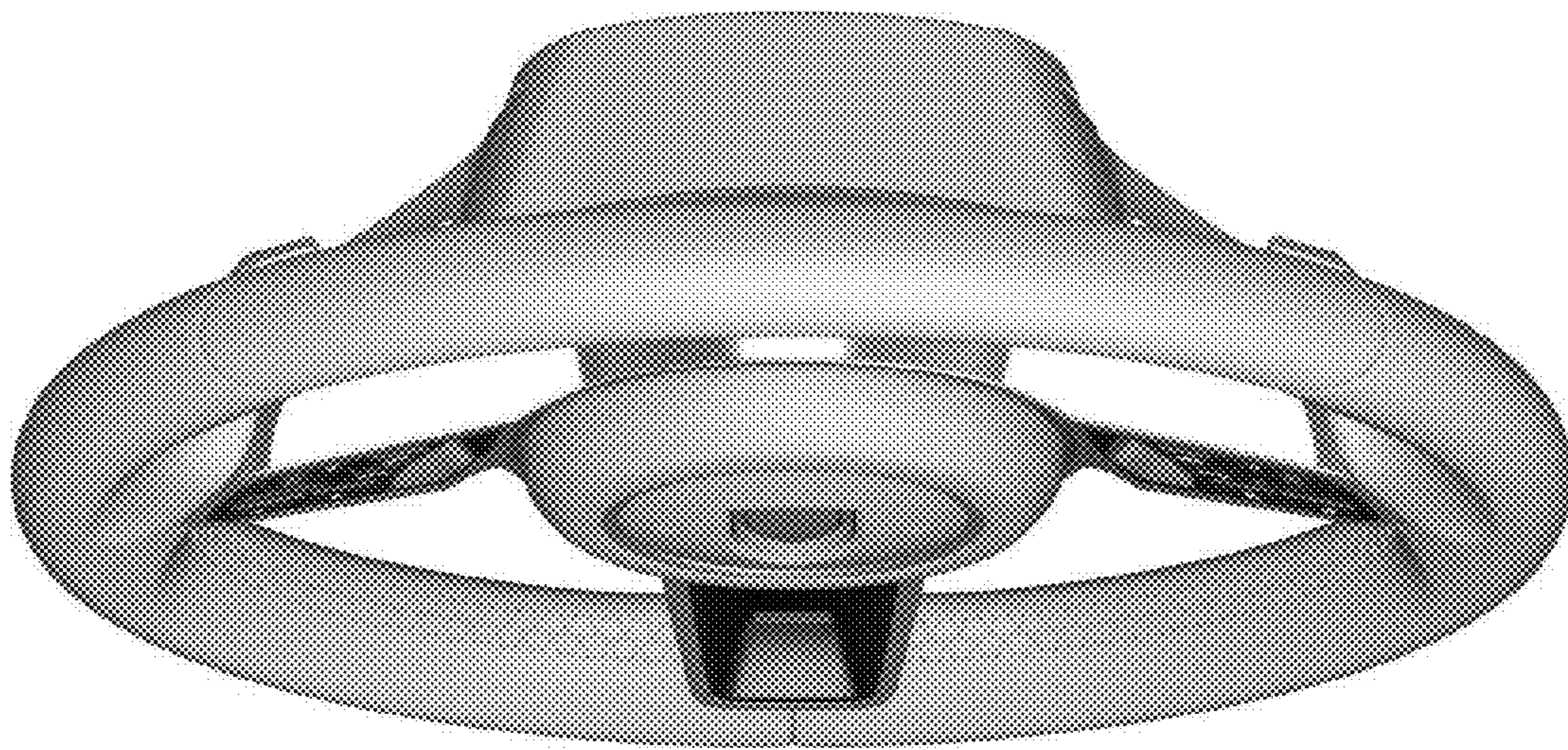


Figure 2

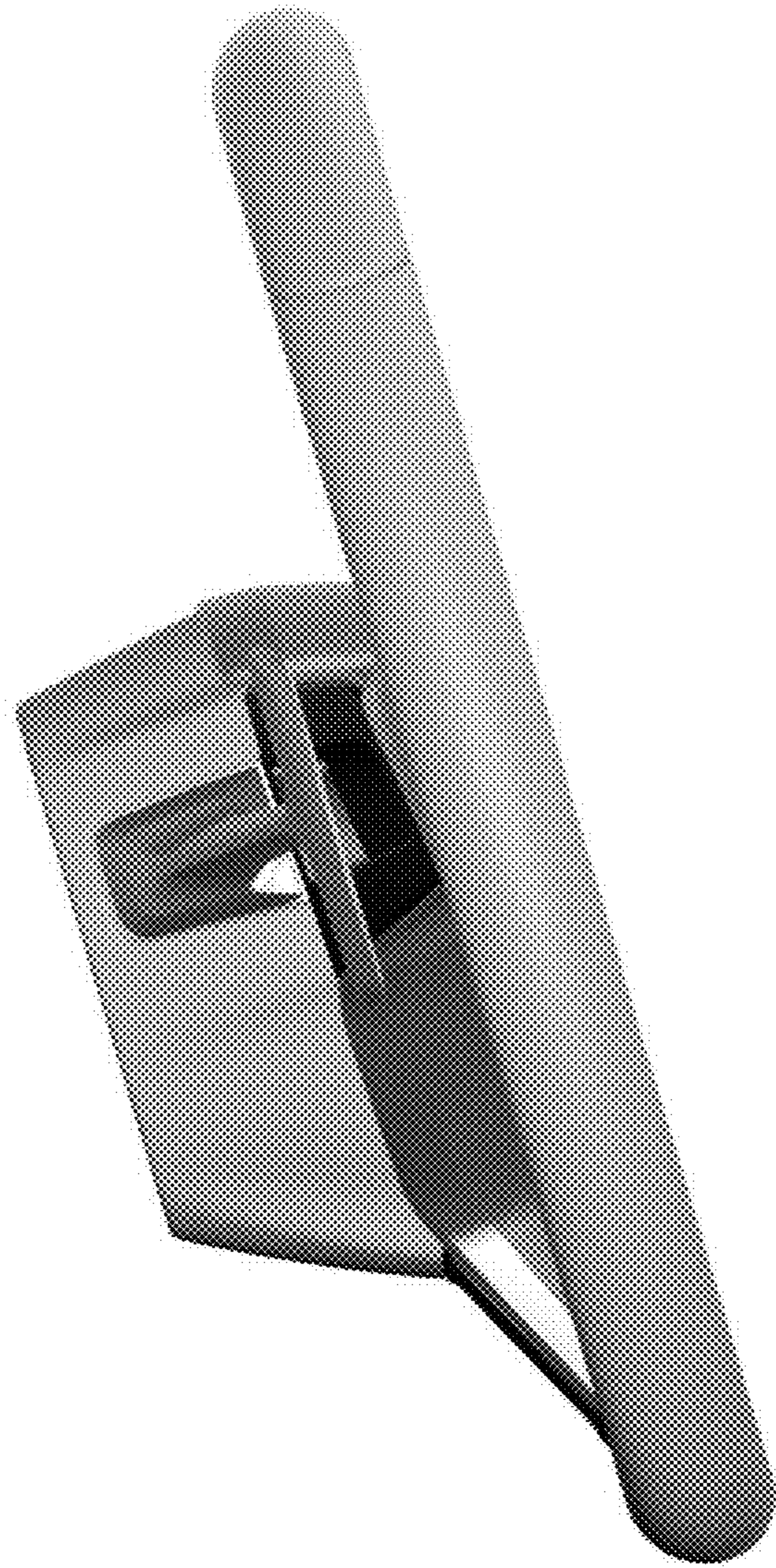


Figure 3

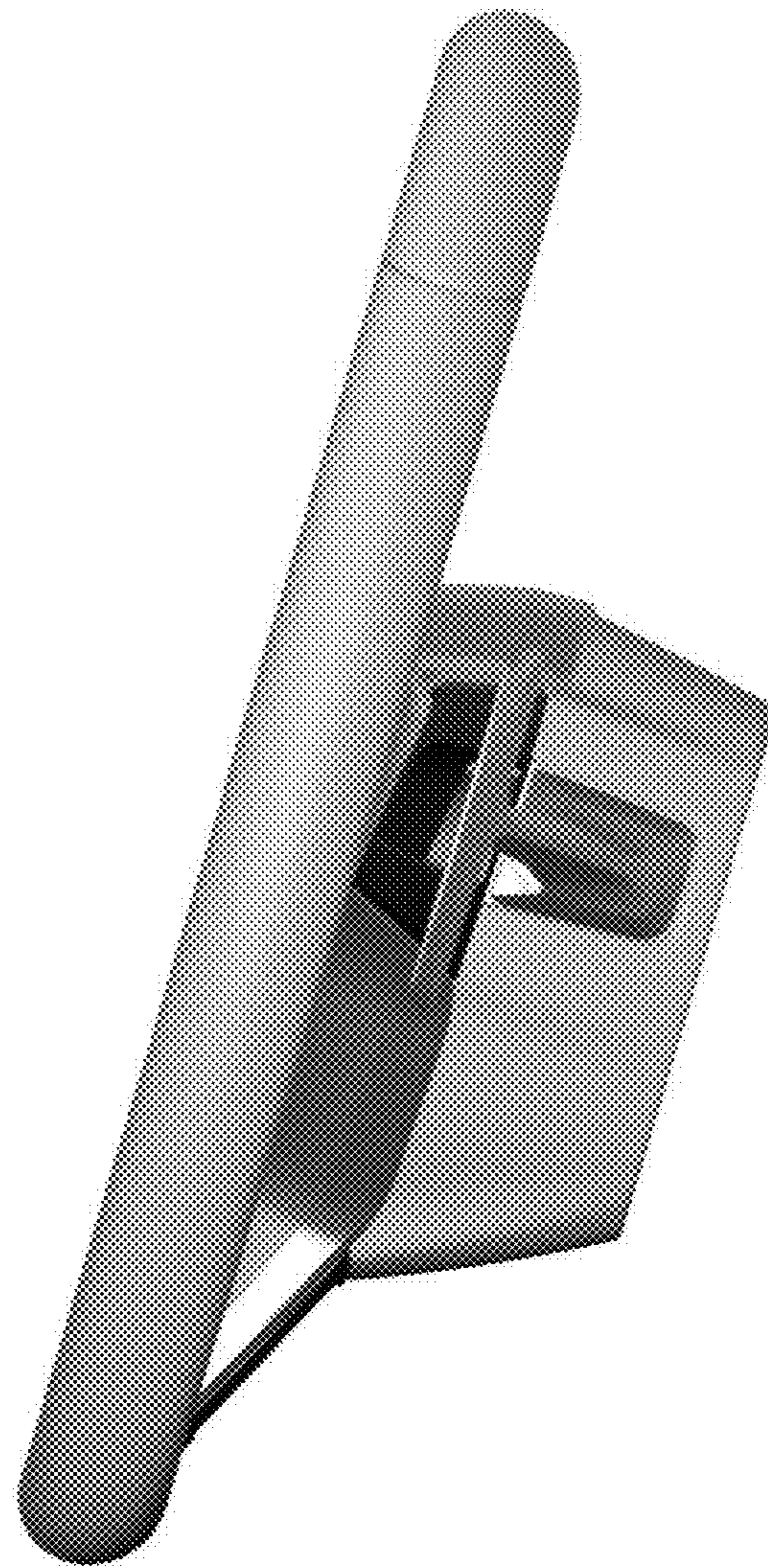


Figure 4