



US00D770339S

(12) **United States Design Patent** (10) **Patent No.:** **US D770,339 S**
Lindsey (45) **Date of Patent:** **** Nov. 1, 2016**

(54) **NOSE SECTION FOR A CAR BODY**

OTHER PUBLICATIONS

(71) Applicant: **Robert Lindsey**, Braselton, GA (US)

<https://www.facebook.com/ElanMotorsports>—Earliest Publication Date Jul. 3, 2015.*

(72) Inventor: **Robert Lindsey**, Braselton, GA (US)

<https://www.youtube.com/watch?v=Bcr6Dxvg9EM>—Published Dec. 23, 2015.*

(73) Assignee: **DELTAWING TECHNOLOGY GROUP, INC.**, Braselton, GA (US)

<http://www.trackhq.com/forums/f303/nasa-elan-np01-thread-8744/>—Published Sep. 9, 2015.*

(**) Term: **15 Years**

<https://www.youtube.com/watch?v=ELofEAbxr5Q>—Published Apr. 16, 2015.*

(21) Appl. No.: **29/538,605**

* cited by examiner

(22) Filed: **Sep. 4, 2015**

Primary Examiner — Manpreet Matharu

(51) **LOC (10) Cl.** **12-08**

Assistant Examiner — Mojtaba Tehrani

(52) **U.S. Cl.**

(74) *Attorney, Agent, or Firm* — Withers & Keys, LLC

USPC **D12/173**; D12/164

(58) **Field of Classification Search**

(57) **CLAIM**

USPC D12/86, 90–92, 164, 173, 184–186, D12/190, 196; D21/424–425, 433–434

The ornamental design for a nose section for a car body, as shown and described.

CPC B60R 13/04; B60R 19/54; B62D 25/12; B62D 27/026; B62D 35/005; B60J 5/0412

See application file for complete search history.

DESCRIPTION

(56) **References Cited**

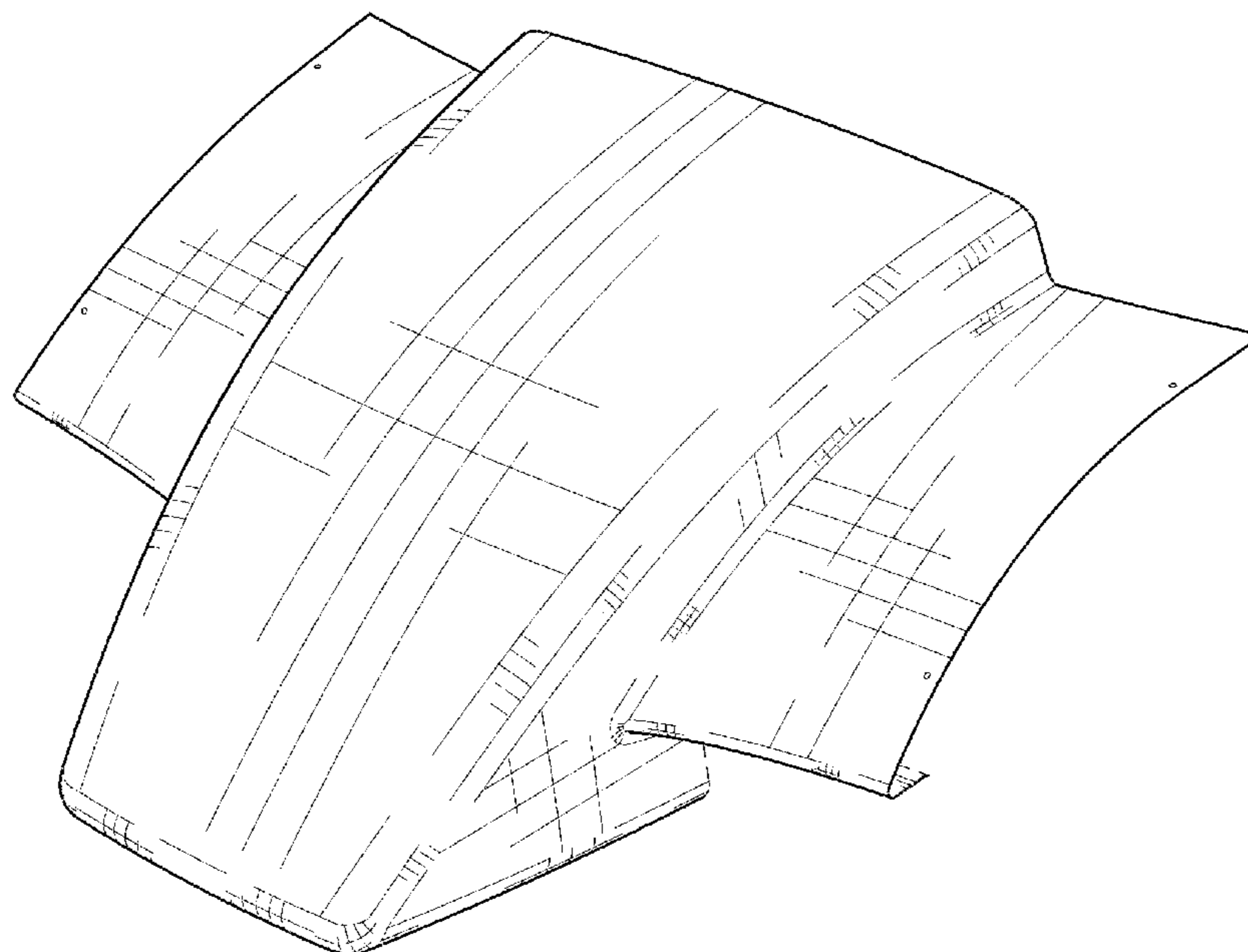
FIG. 1 is a front-right perspective view of the nose section for a car body, showing my new design; FIG. 2 is a rear-left perspective view thereof; FIG. 3 is a front view thereof; FIG. 4 is a rear view thereof; FIG. 5 is a top view thereof; FIG. 6 is a bottom view thereof; FIG. 7 is a right side view thereof; and, FIG. 8 is a left side view thereof.

U.S. PATENT DOCUMENTS

D176,255 S	*	12/1955	Handler	D12/92
D203,841 S	*	2/1966	Power	D12/91
D215,313 S	*	9/1969	Gurr	D12/92
D218,340 S	*	8/1970	Mclaren	D12/91
D218,695 S	*	9/1970	Broadley	D12/82
D218,944 S	*	10/1970	Chapman	D12/91
D219,524 S	*	12/1970	Broadley	D12/92
D225,351 S	*	12/1972	Broadley	D12/92
D548,148 S	*	8/2007	Woodard, Jr. et al.	D12/173
D550,124 S	*	9/2007	Agullo Spottorno et al.	D12/88
D570,265 S	*	6/2008	Nakanishi et al.	D12/173
D710,259 S	*	8/2014	Baccino	D12/92
D721,618 S	*	1/2015	Hitzinger	D12/91

The broken lines shown in the drawings illustrate portions of the nose section for a car body that forms no part of the claimed design.

1 Claim, 8 Drawing Sheets



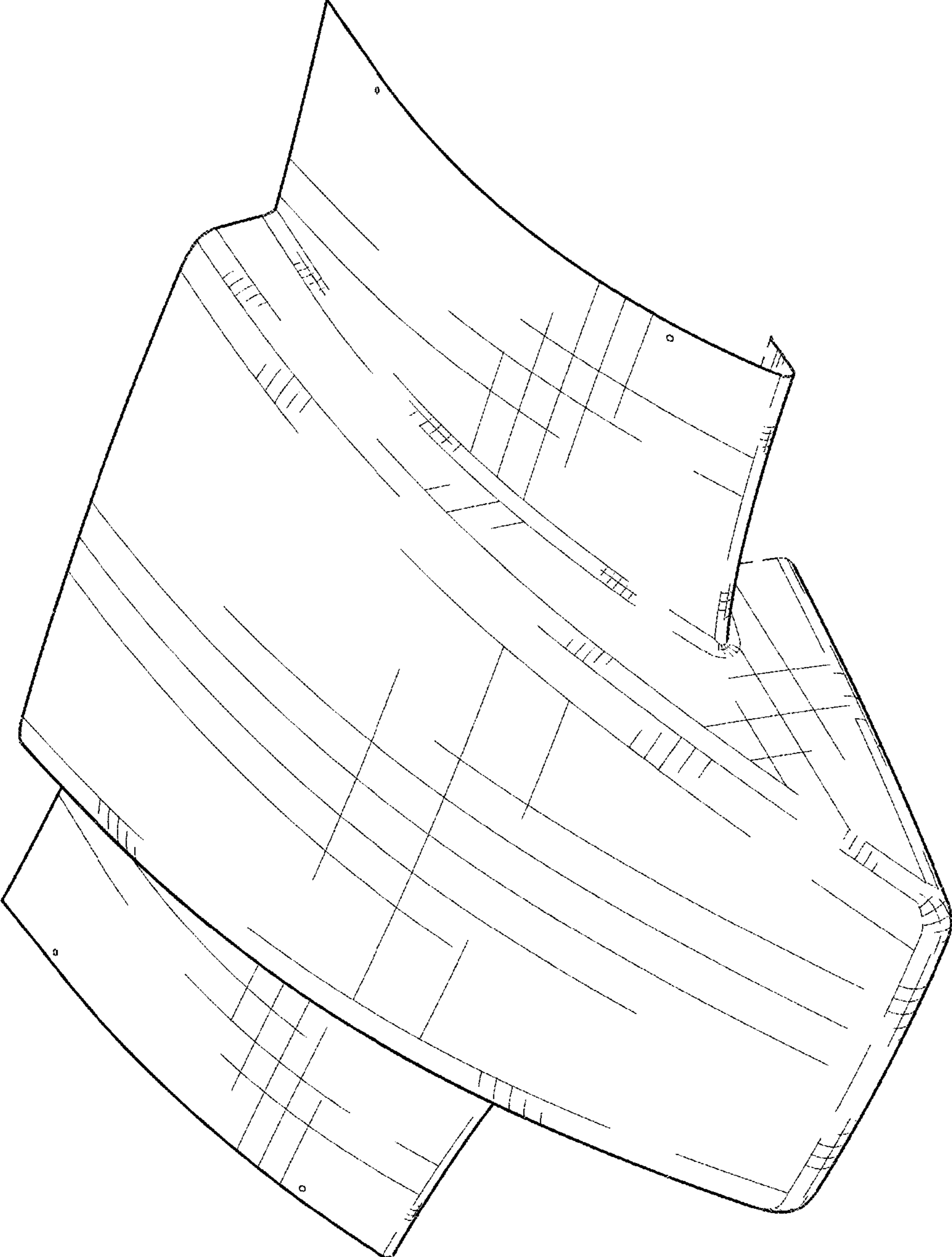


FIG. 1

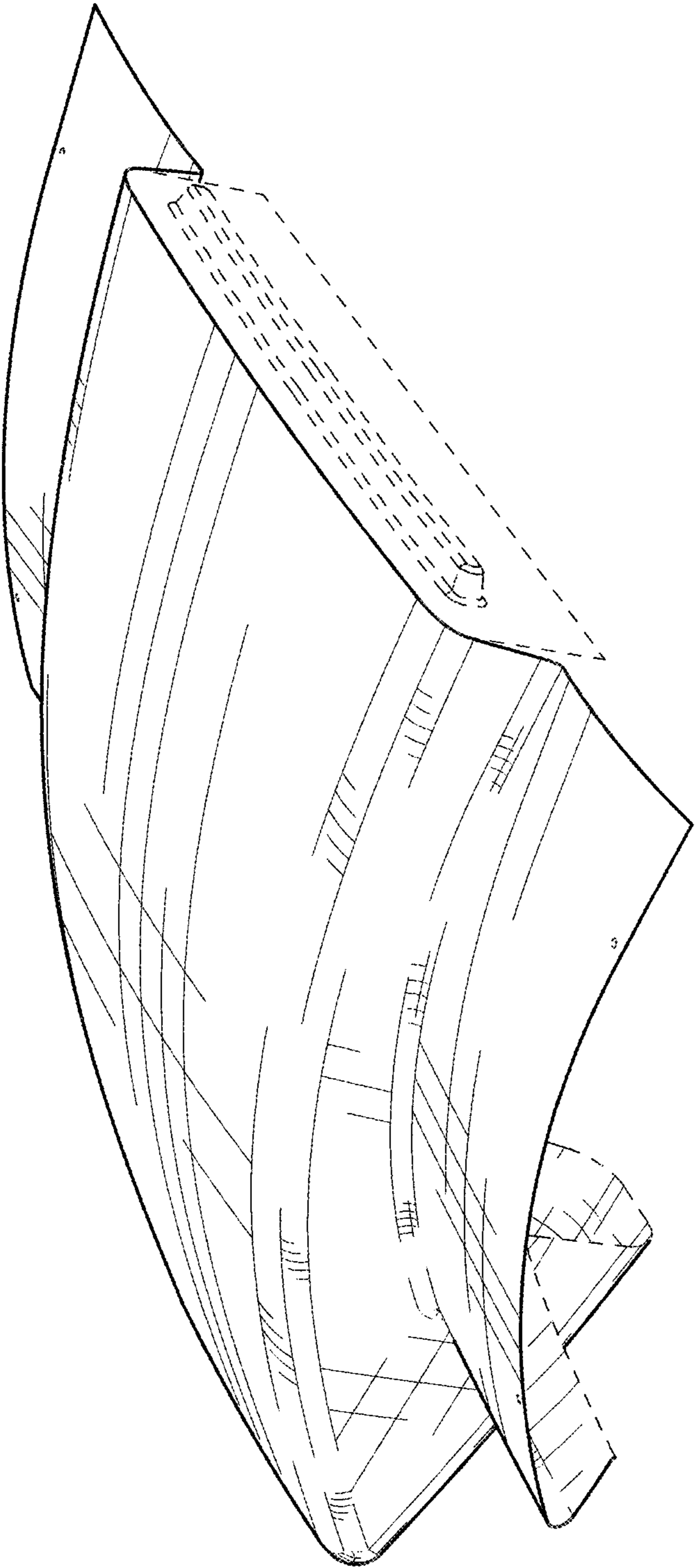


FIG. 2

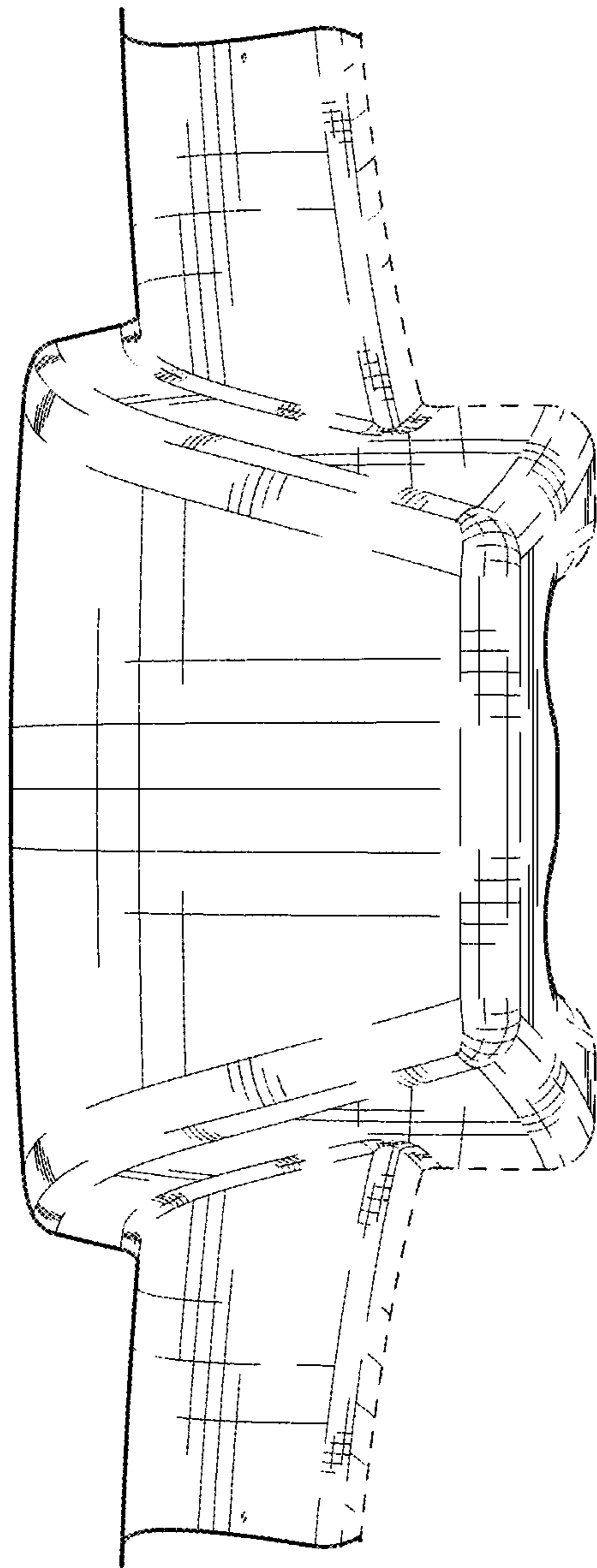


FIG. 3

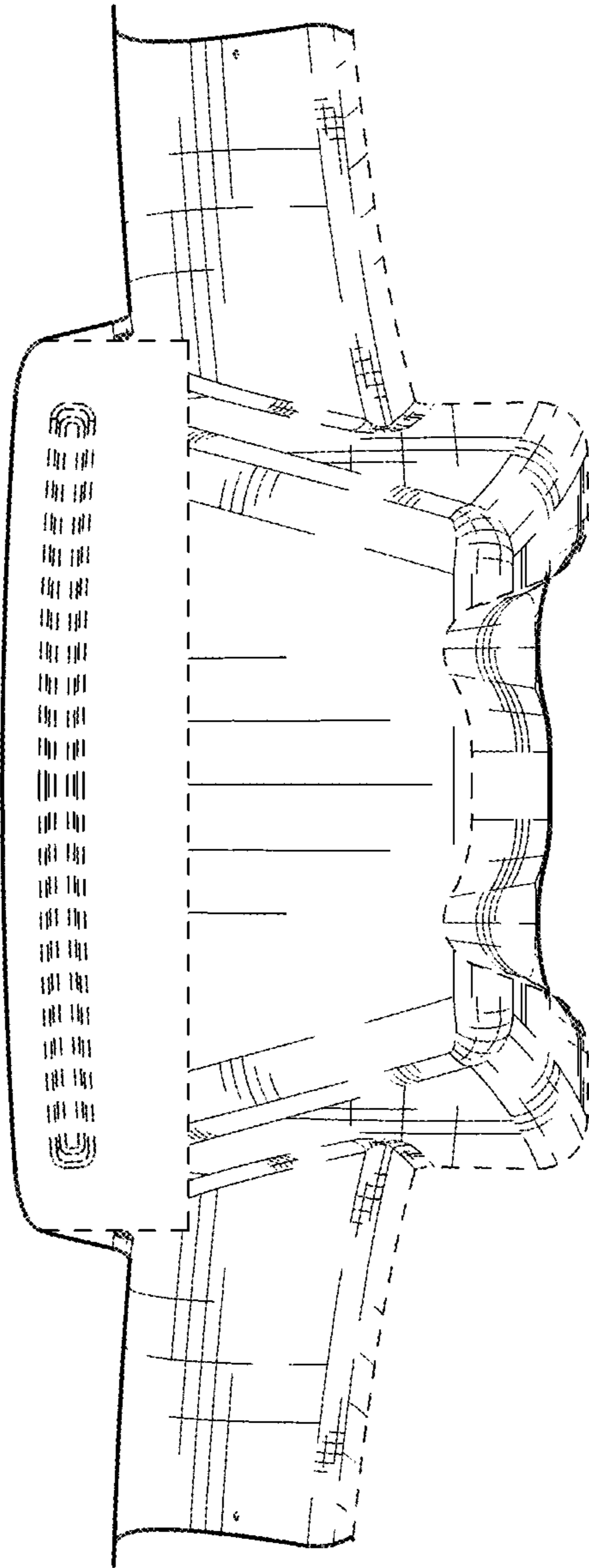


FIG. 4

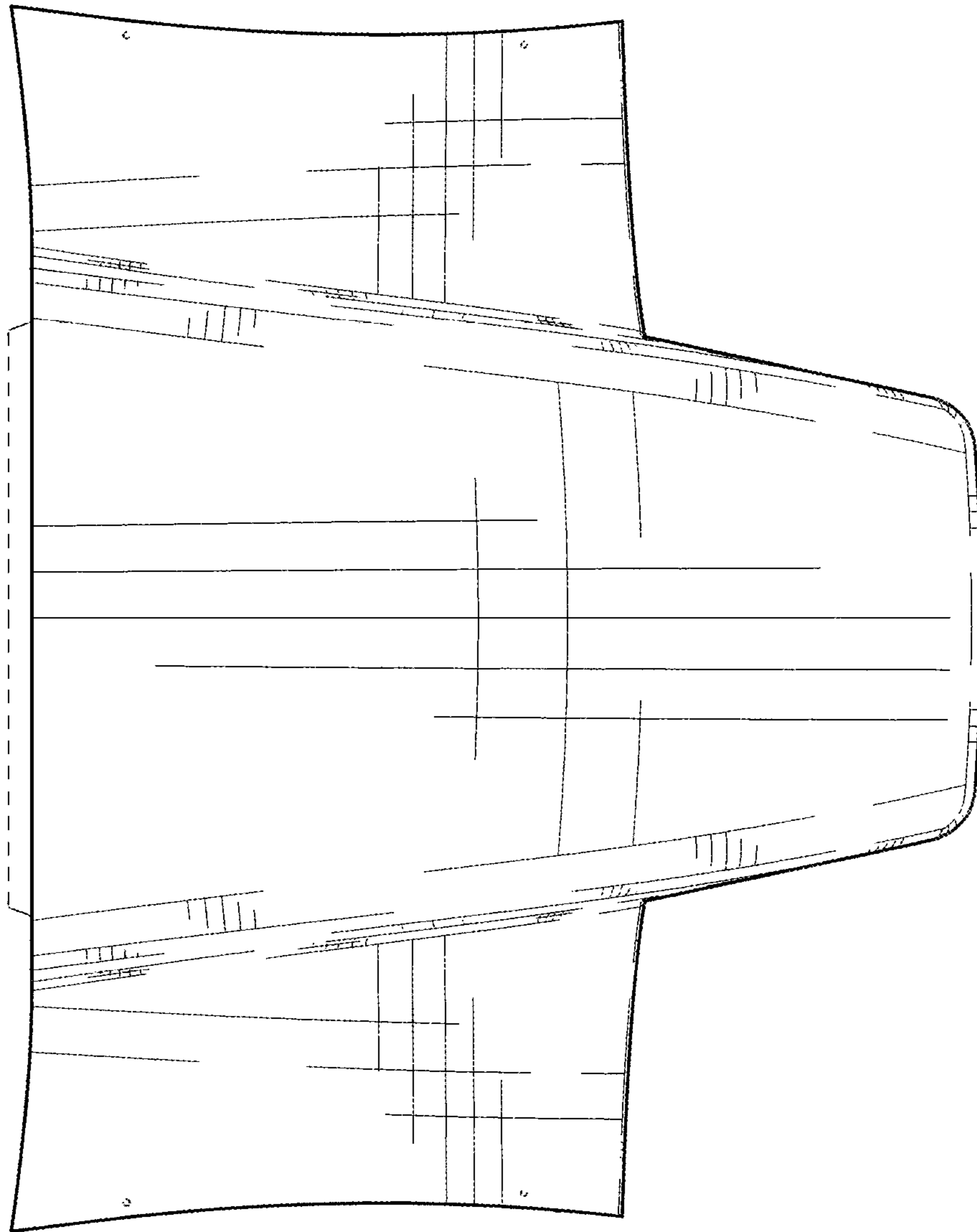


FIG. 5

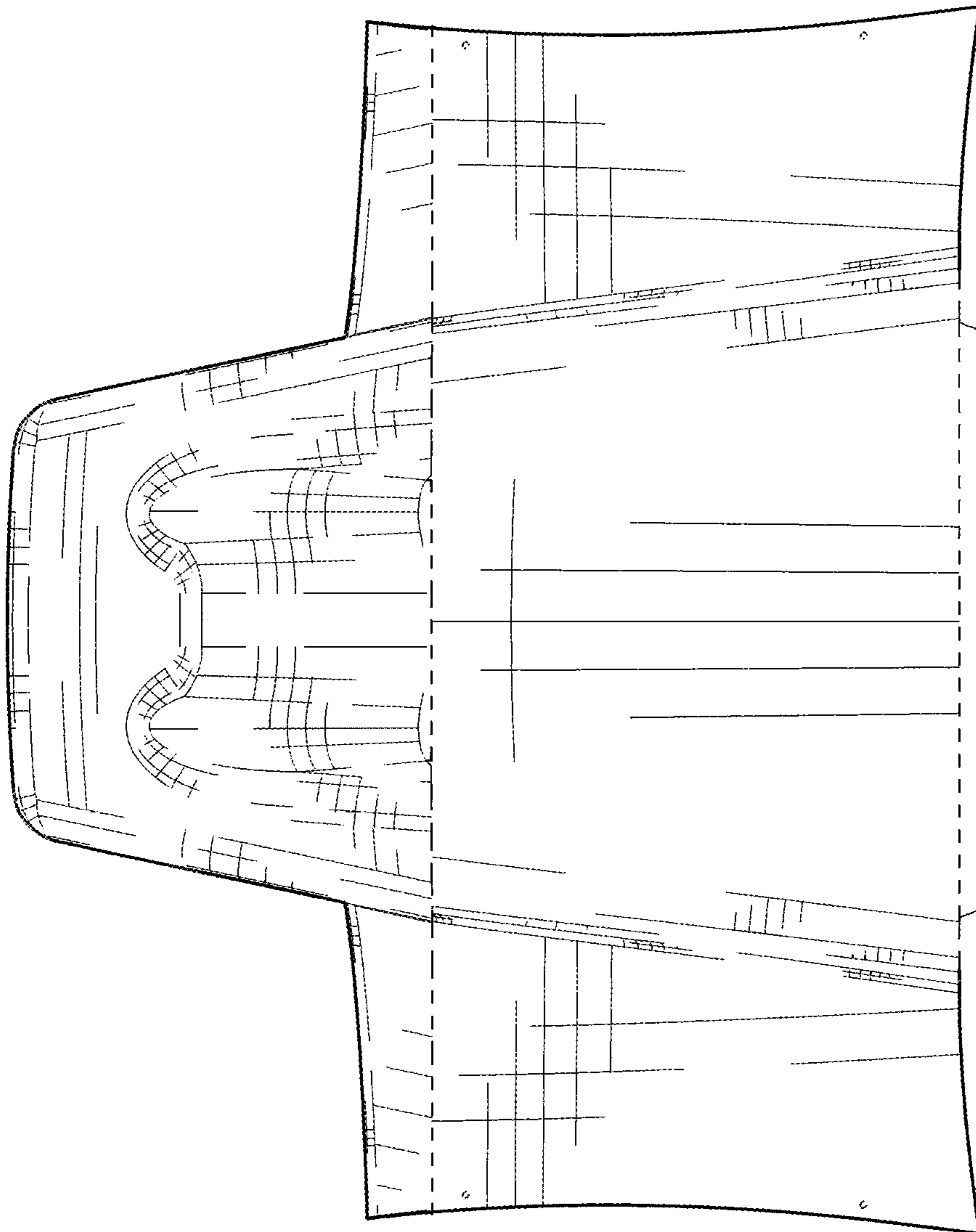


FIG. 6

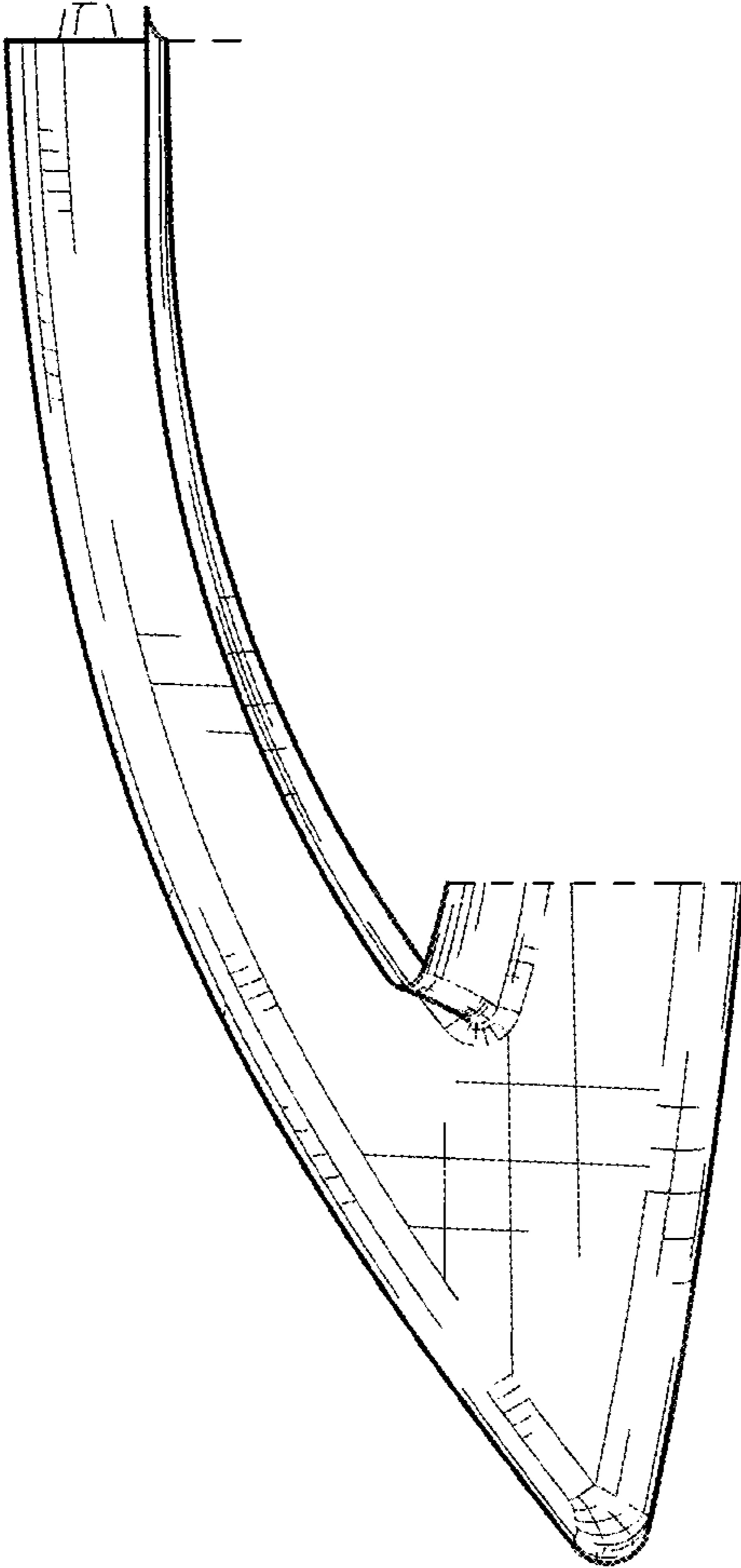


FIG. 7

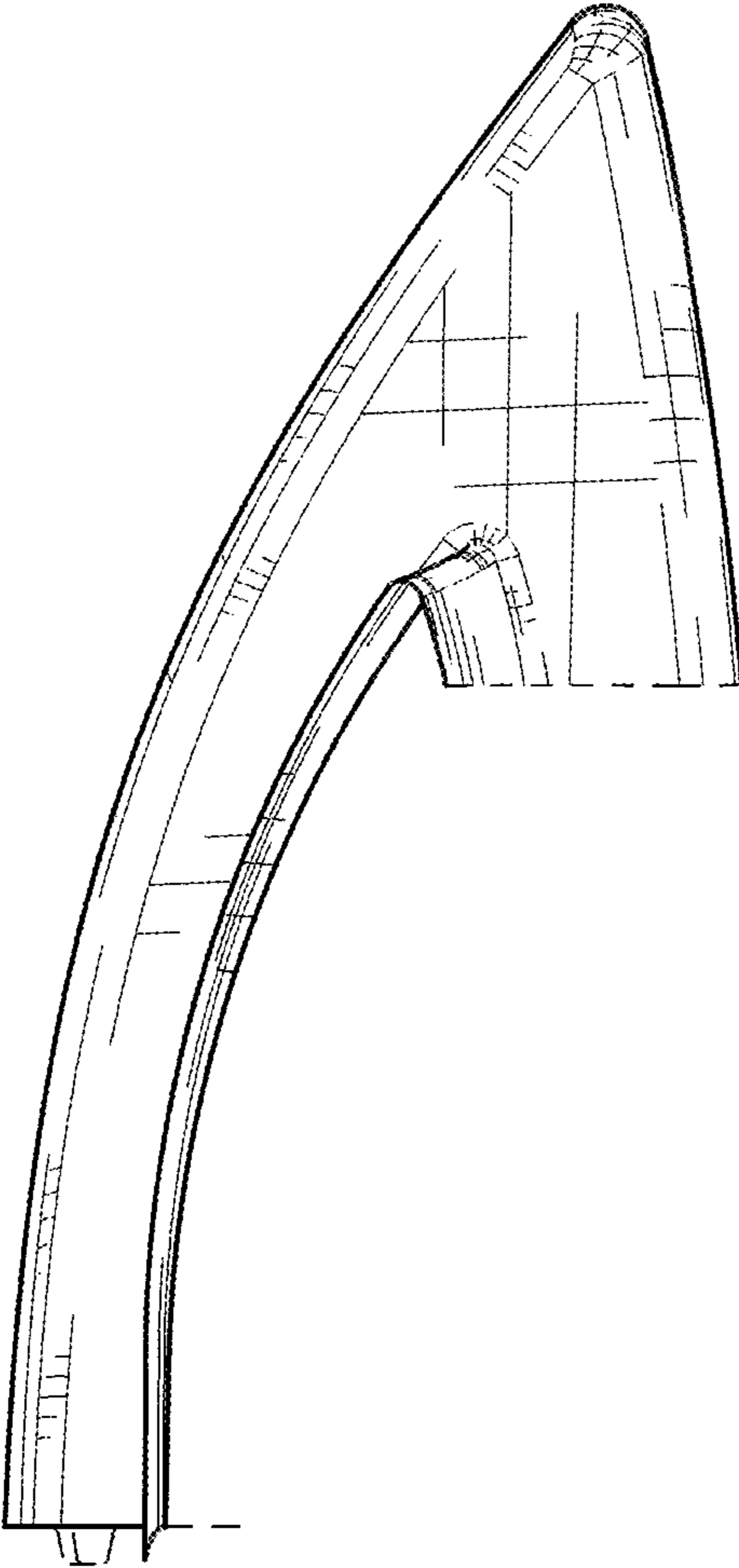


FIG. 8