



US00D770337S

(12) **United States Design Patent** (10) **Patent No.:** **US D770,337 S**
Wolff et al. (45) **Date of Patent:** **** Nov. 1, 2016**

(54) **VEHICLE FRONT BUMPER COVER**
(71) Applicant: **Ford Global Technologies, LLC**,
Dearborn, MI (US)
(72) Inventors: **Max Wolff**, Birmingham, MI (US);
Solomon Song, Farmington Hills, MI
(US)
(73) Assignee: **Ford Global Technologies, LLC**,
Dearborn, MI (US)
(**) Term: **15 Years**
(21) Appl. No.: **29/544,833**
(22) Filed: **Nov. 6, 2015**
(51) **LOC (10) Cl.** **12-16**
(52) **U.S. Cl.**
USPC **D12/169**
(58) **Field of Classification Search**
USPC D12/169, 216, 90-92, 86, 171, 196,
D12/163; 293/102, 113, 115, 117, 120;
296/180.1, 180.2
CPC B60R 19/52; B60R 2019/25; B62D
25/0845
See application file for complete search history.

D703,117 S * 4/2014 Osborne D12/169
D704,604 S * 5/2014 Okumoto D12/169
D708,997 S * 7/2014 Koizumi D12/169
D719,072 S * 12/2014 Robinson D12/169
D721,021 S * 1/2015 Hanaoka D12/169
D733,623 S * 7/2015 Robinson D12/169
D735,623 S * 8/2015 Platto D12/163
D754,575 S * 4/2016 Varga D12/169

OTHER PUBLICATIONS

<http://www.fordinsidenews.com> 2017 Lincoln MKZ on the streets,
dated Apr. 15, 2015.
<http://www.caranddriver.com/news/2017-lincoln-mkz-spy-photos->
news by: Alexander Stoklosa dated May 2015.

* cited by examiner

Primary Examiner — Melody N Brown
(74) *Attorney, Agent, or Firm* — Damian Porcari

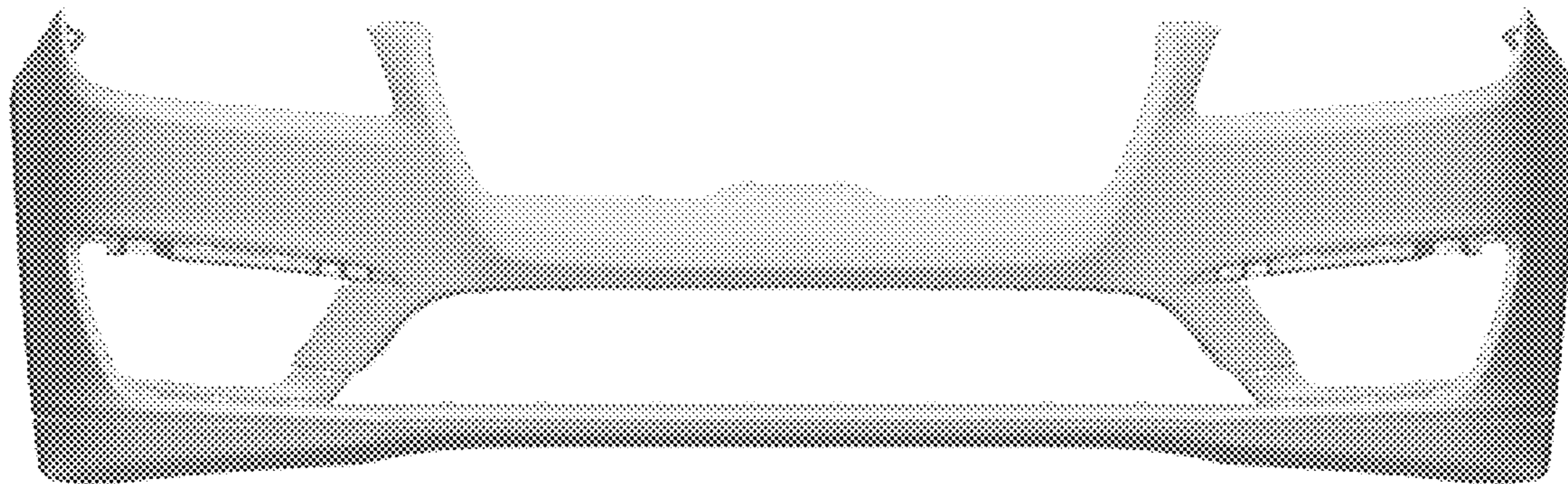
(57) **CLAIM**
The ornamental design for a vehicle front bumper cover, as
shown and described.

DESCRIPTION

FIG. 1 is a top front perspective and left view of the vehicle
front bumper cover;
FIG. 2 is a top front perspective and right view thereof;
FIG. 3 is a top rear perspective view thereof;
FIG. 4 is a front elevational view thereof;
FIG. 5 is a rear elevational view thereof;
FIG. 6 is a left side elevational view thereof;
FIG. 7 is a right side elevational view thereof;
FIG. 8 is a top plan view thereof; and,
FIG. 9 is a bottom plan view thereof.

1 Claim, 9 Drawing Sheets

(56) **References Cited**
U.S. PATENT DOCUMENTS
D684,099 S * 6/2013 McCabe D12/169
D684,904 S * 6/2013 Tase D12/169
D690,629 S 10/2013 Song et al.
D695,163 S * 12/2013 Scheinhutte D12/169



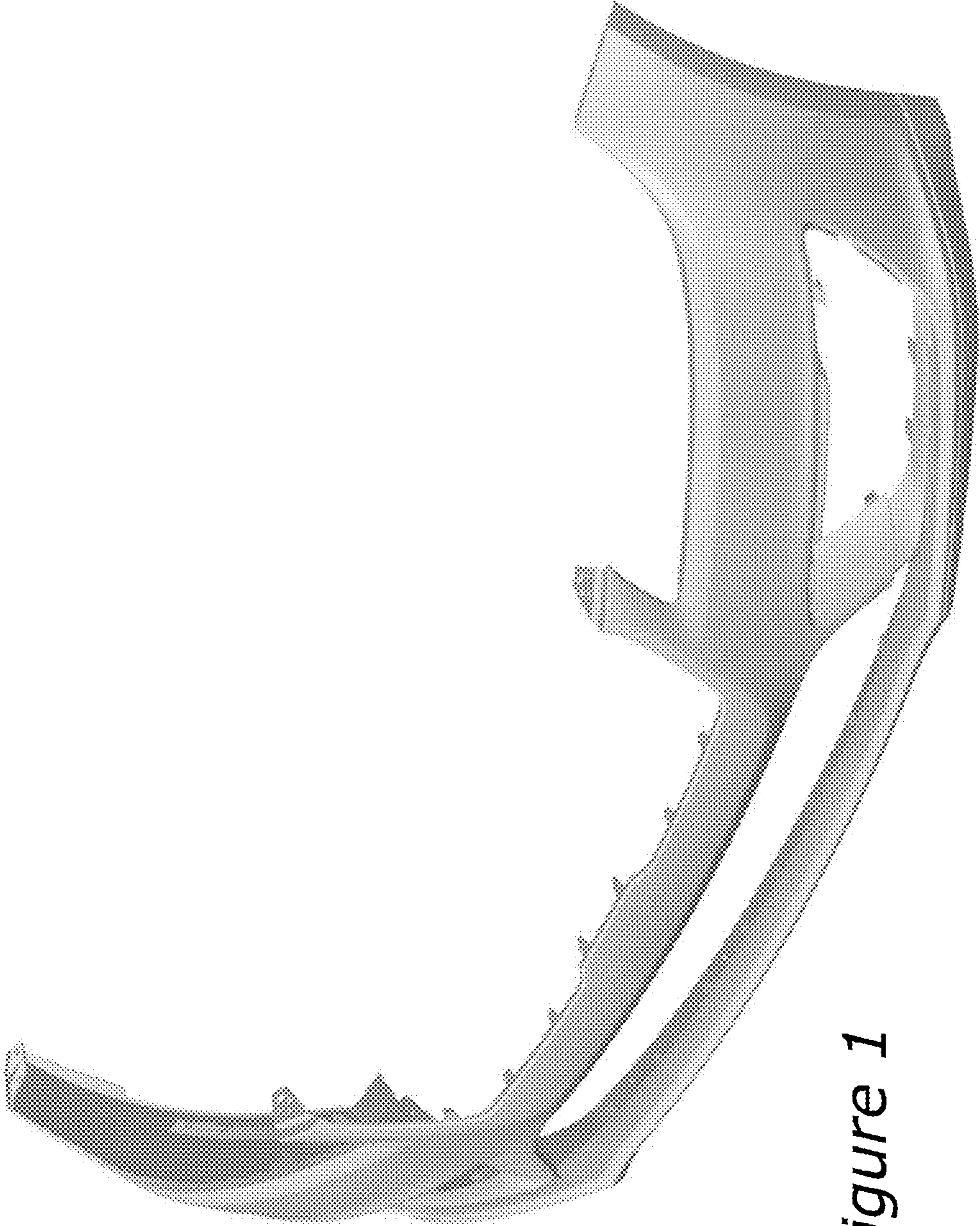


Figure 1

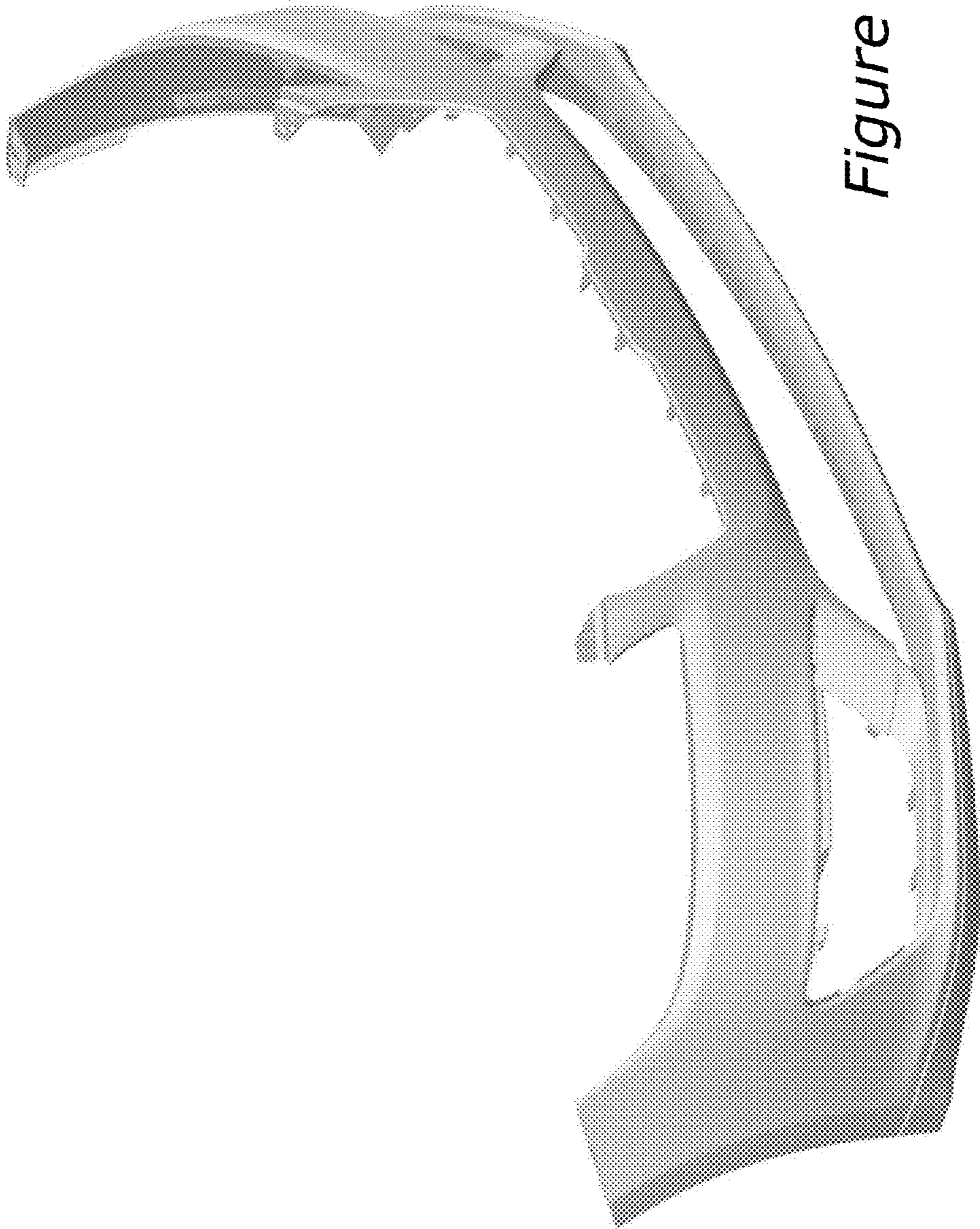


Figure 2

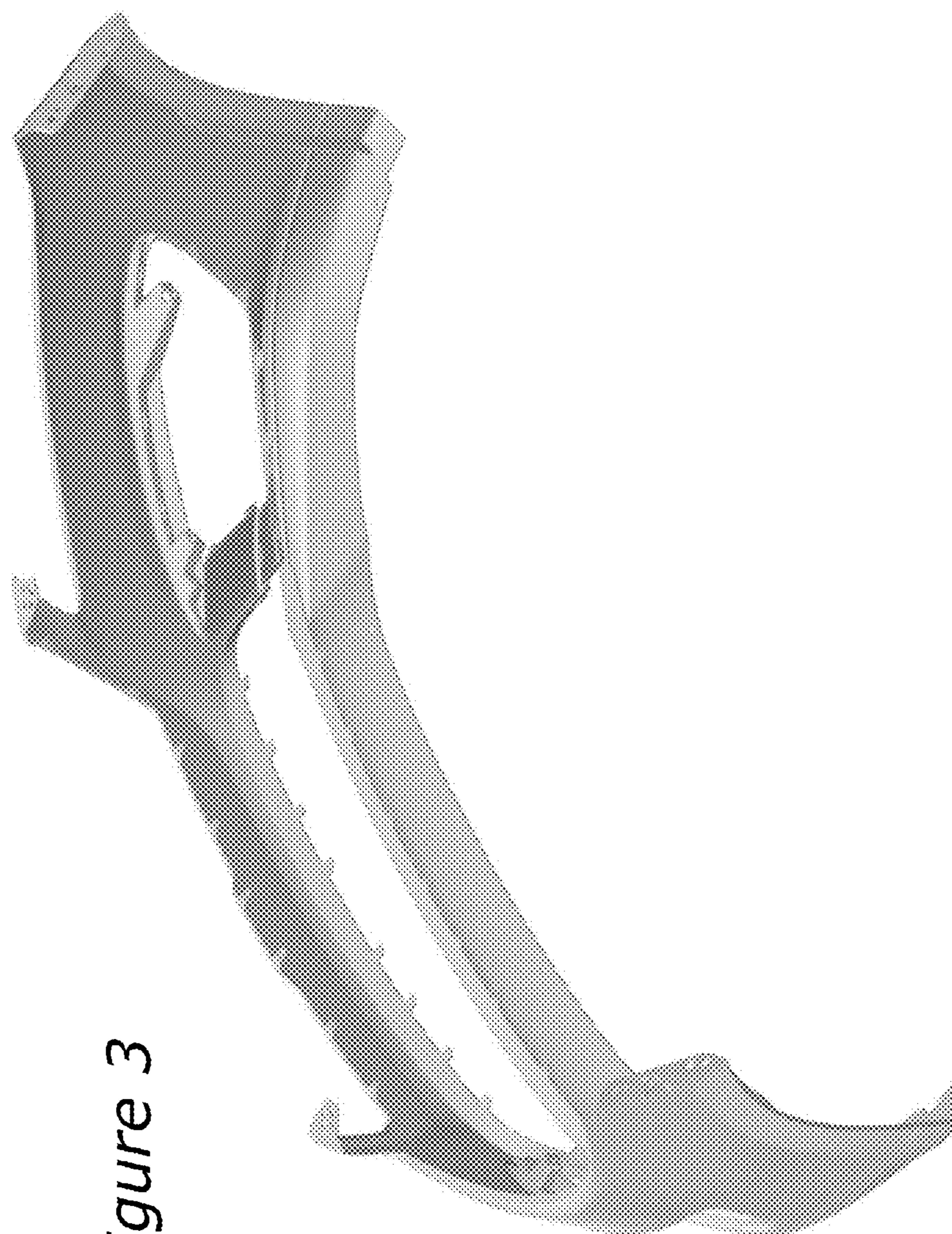


Figure 3

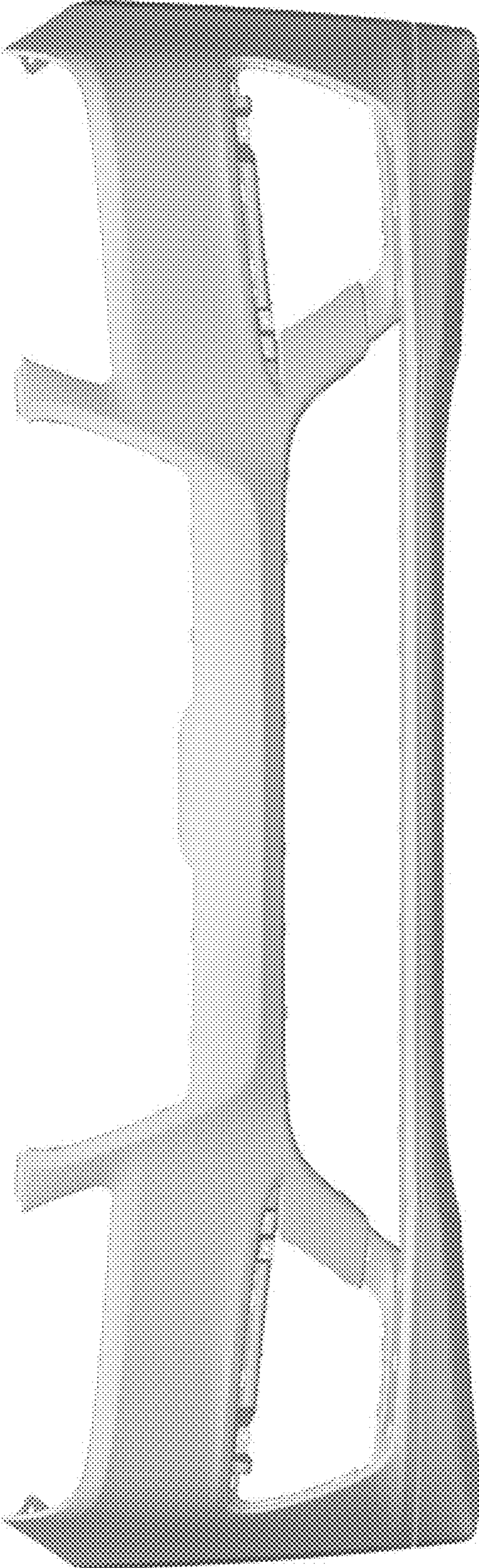


Figure 4

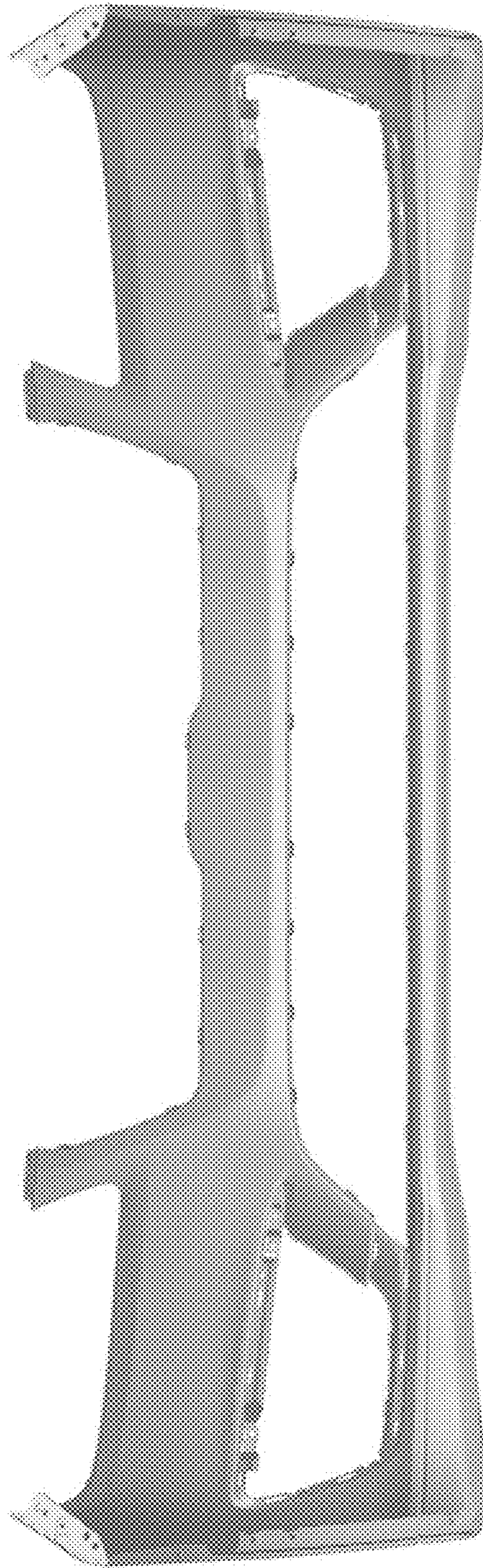


Figure 5

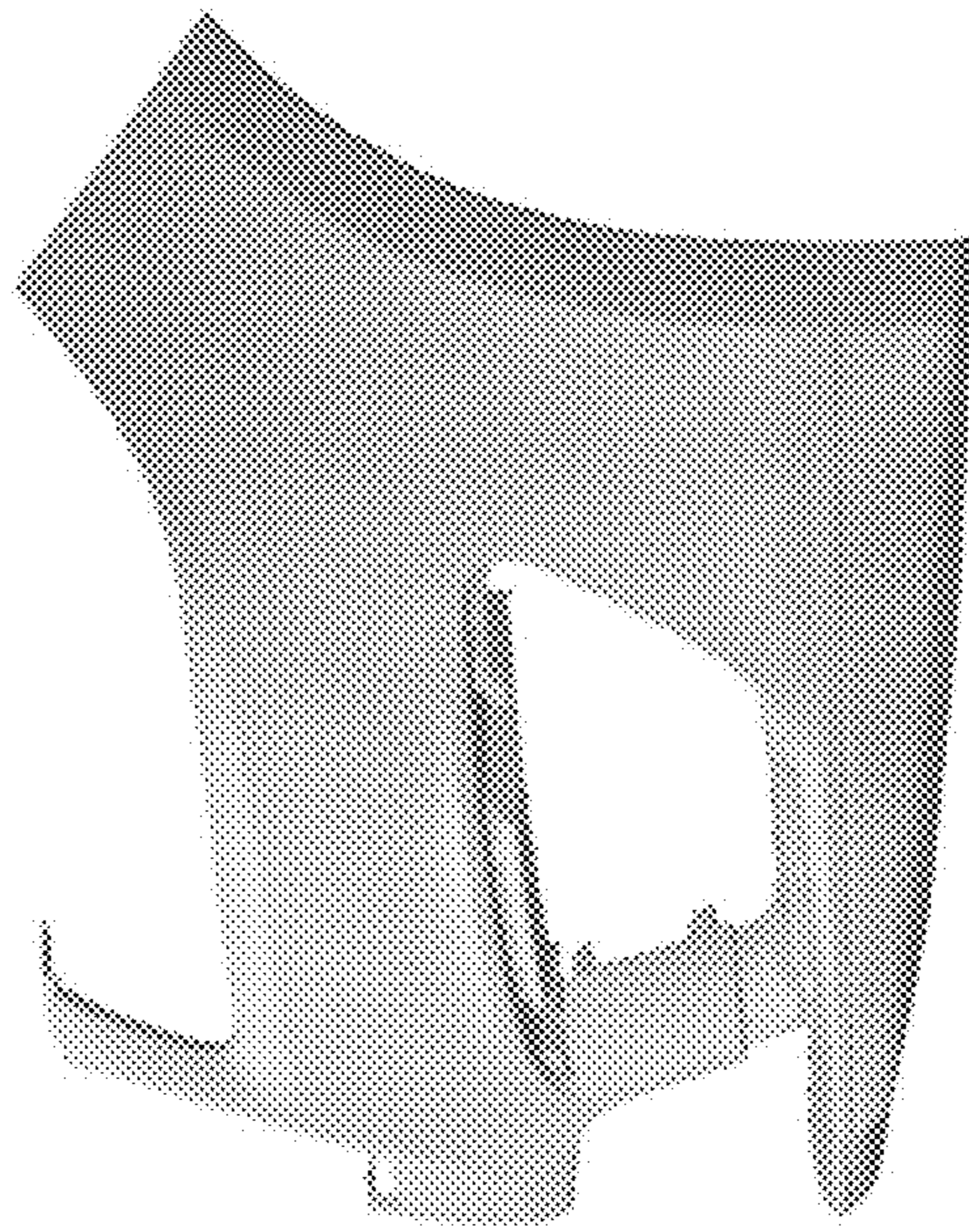


Figure 6

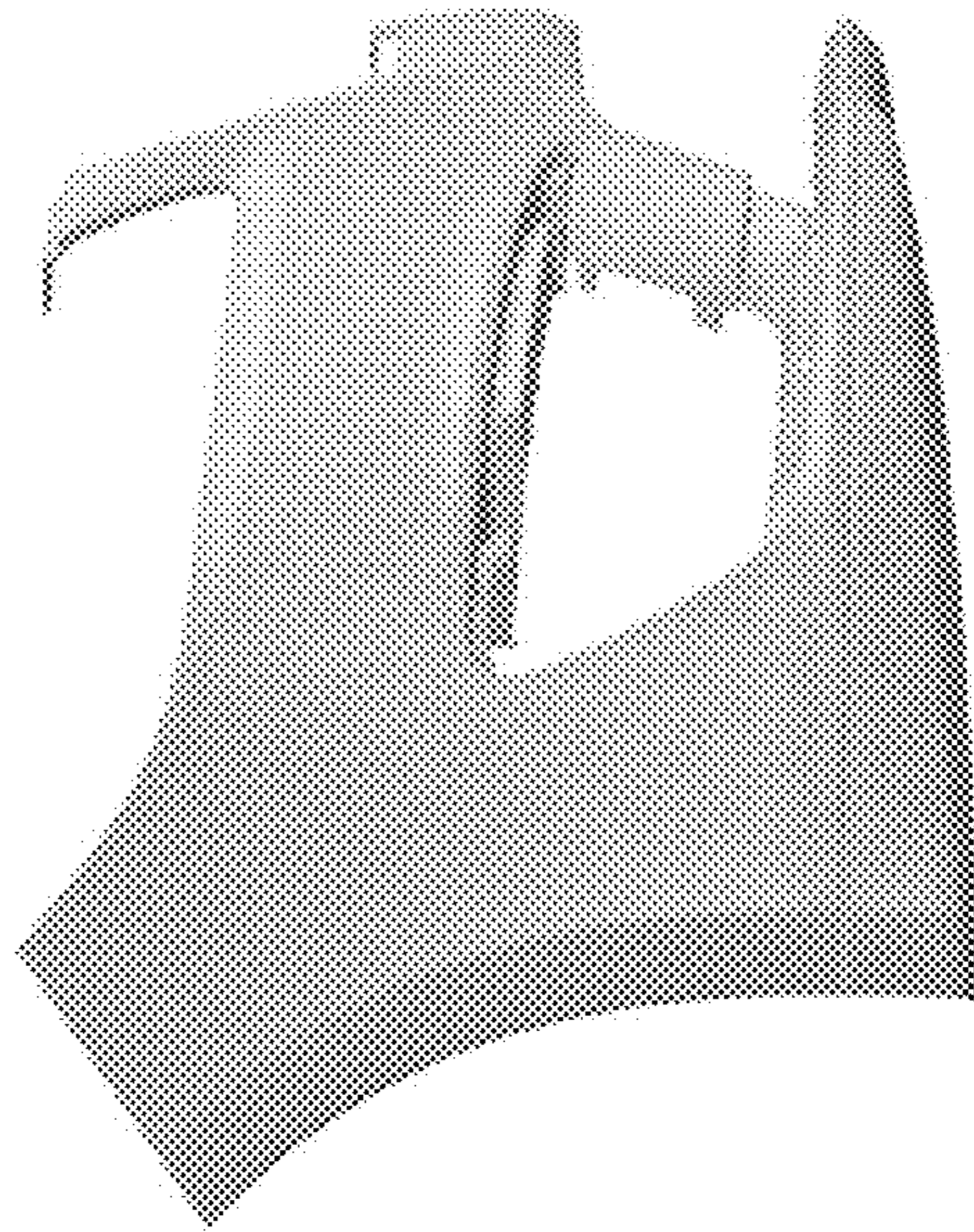


Figure 7

Figure 8

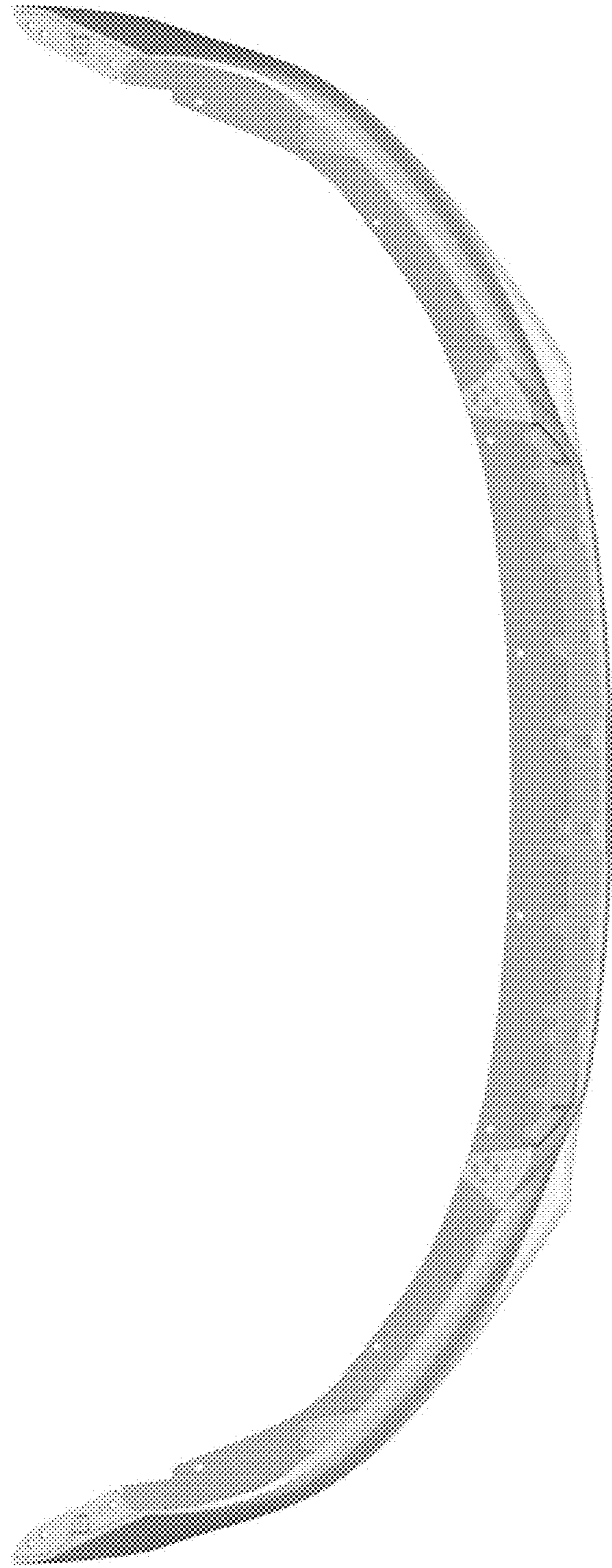


Figure 9

