



US00D770335S

(12) **United States Design Patent** (10) **Patent No.:** **US D770,335 S**  
**Walterscheid et al.** (45) **Date of Patent:** **\*\* Nov. 1, 2016**

(54) **VEHICLE GRILLE**  
(71) Applicants: **Aaron K. Walterscheid**, Muenster, TX (US); **John F. Myers**, Farmersville, TX (US)

(72) Inventors: **Aaron K. Walterscheid**, Muenster, TX (US); **John F. Myers**, Farmersville, TX (US)

(73) Assignee: **PACCAR Inc**, Bellevue, WA (US)

(\*\*) Term: **14 Years**

(21) Appl. No.: **29/500,329**

(22) Filed: **Aug. 25, 2014**

(51) **LOC (10) Cl.** ..... **12-16**

(52) **U.S. Cl.**  
USPC ..... **D12/163**

(58) **Field of Classification Search**  
USPC ..... D12/86, 90, 91, 163, 164, 165, 166, D12/171, 196, 216, 400; D15/1, 5; D23/259, 260; 180/68.1, 68.4, 68.6  
CPC ..... B60R 19/00; B60R 19/486  
See application file for complete search history.

(56) **References Cited**

**U.S. PATENT DOCUMENTS**

D252,878 S *	9/1979	Bellino	.....	D15/5
D311,711 S	10/1990	Marlowe		
D313,784 S	1/1991	Marlow		
D327,276 S	6/1992	Sorensen		
D351,580 S *	10/1994	Montgomery	.....	D12/181
D361,968 S	9/1995	Oyama		
D389,108 S	1/1998	Norwood		
D395,860 S	7/1998	Meryman		
D400,835 S	11/1998	Le Quement		
D401,198 S	11/1998	Mueller		
D403,636 S	1/1999	Meryman		

D405,037 S	2/1999	Meryman		
D412,874 S	8/1999	Meryman		
D424,993 S	5/2000	Farzam		
D425,835 S	5/2000	Cook		
D445,383 S *	7/2001	Price	.....	D12/163
D447,099 S	8/2001	Tirey		

(Continued)

**OTHER PUBLICATIONS**

"T440," Kenworth Truck Company, Kirkland, Washington, 2010, 2-page brochure.

(Continued)

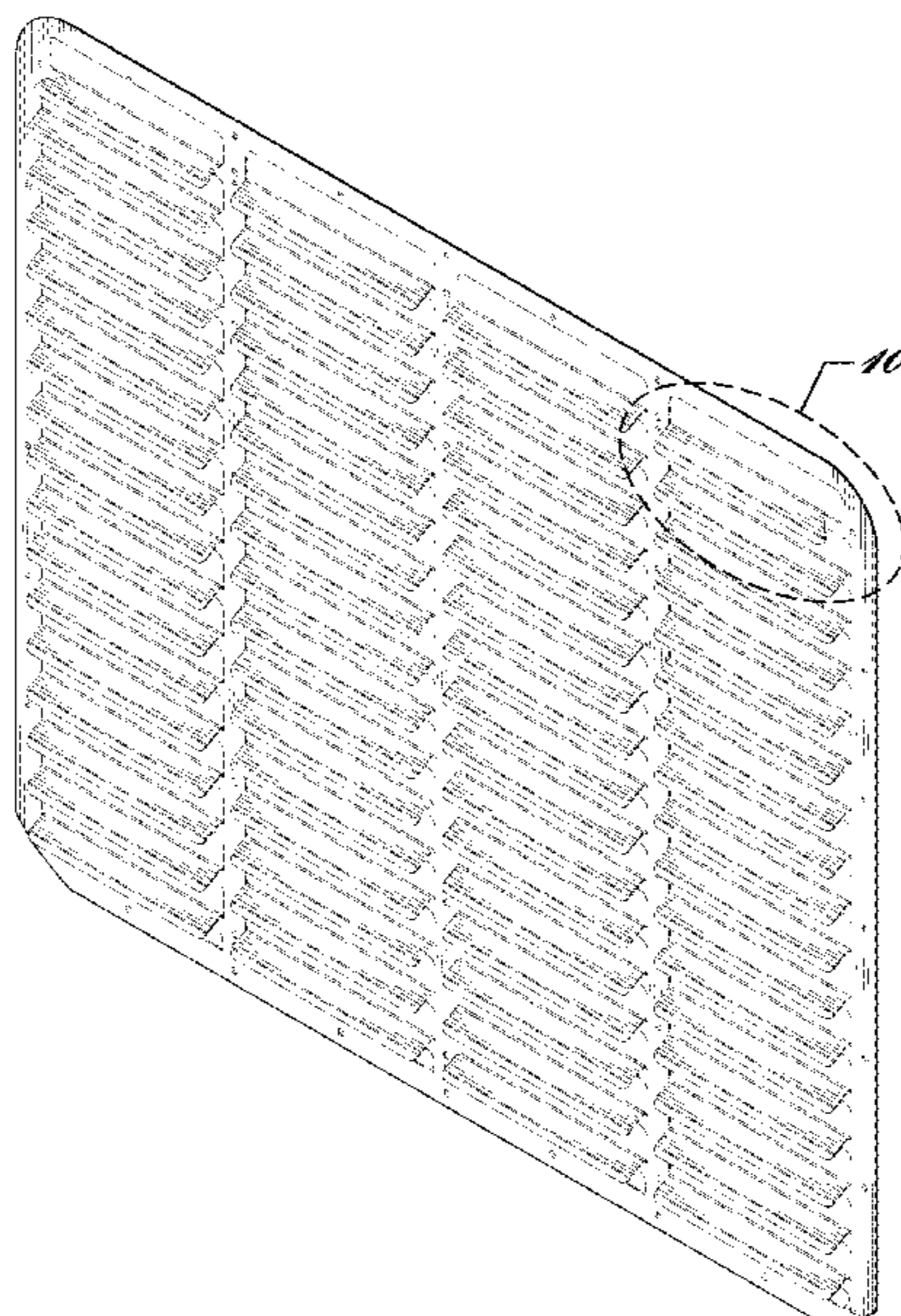
*Primary Examiner* — Robert M Spear  
*Assistant Examiner* — Kendra L Hamilton  
(74) *Attorney, Agent, or Firm* — Christensen O'Connor Johnson Kindness PLLC

(57) **CLAIM**  
The ornamental design for a vehicle grille, as shown and described.

**DESCRIPTION**

FIG. 1 is a top front isometric view of a vehicle grille according to our new design;  
FIG. 2 is a front view of the vehicle grille of FIG. 1;  
FIG. 3 is a rear view of the vehicle grille of FIG. 1;  
FIG. 4 is a top view of the vehicle grille of FIG. 1;  
FIG. 5 is a bottom view of the vehicle grille of FIG. 1;  
FIG. 6 is a left side view of the vehicle grille of FIG. 1;  
FIG. 7 is a right side view of the vehicle grille of FIG. 1;  
FIG. 8 is a cross-sectional view taken along line 8-8 in FIG. 2;  
FIG. 9 is a top rear isometric view of the vehicle grille of FIG. 1; and,  
FIG. 10 is a partial enlarged view of the vehicle grille of FIG. 1.  
The broken lines show portions of the vehicle grille which form no part of the claimed design.

**1 Claim, 8 Drawing Sheets**



(56)

References Cited

U.S. PATENT DOCUMENTS

D450,277 S	11/2001	Onopa	
D452,464 S	12/2001	Beigel	
D455,381 S	4/2002	Maher	
D460,023 S	7/2002	Beigel	
D465,749 S	11/2002	Beigel	
D466,450 S	12/2002	Maher	
D480,997 S	10/2003	DeBerti	
D484,077 S	12/2003	Conway	
D486,102 S	2/2004	Perfetti	
D490,749 S	6/2004	Satou	
D492,801 S	7/2004	Metros	
D497,581 S	10/2004	Conway	
D502,897 S	3/2005	Delashaw	
D515,474 S	2/2006	Wu	
D528,050 S	9/2006	McCuller	
D528,481 S	* 9/2006	Taveras	D12/171
D530,247 S	10/2006	Angelo	
D531,555 S	11/2006	Hooper	
D539,704 S	4/2007	Angelo	
D545,251 S	6/2007	Angelo	
D545,735 S	7/2007	Angelo	
D549,139 S	* 8/2007	Pinkney	D12/163
D551,133 S	9/2007	Angelo	
D551,599 S	9/2007	Simons	
D551,600 S	9/2007	Simons	
D572,176 S	* 7/2008	Cunningham	D12/163
D573,067 S	* 7/2008	Ho	D12/163
D577,316 S	9/2008	Rosen	
D578,444 S	* 10/2008	Kuo	D12/163
D592,561 S	* 5/2009	Otto	D12/163
D601,932 S	10/2009	Rosen	
D606,460 S	* 12/2009	Richards	D12/163
D606,461 S	* 12/2009	Richards	D12/163
D622,188 S	8/2010	Angelo	
D631,800 S	2/2011	Peltola	
D632,224 S	2/2011	Peltola	
D640,175 S	6/2011	Villamizar	
D647,827 S	11/2011	Medina	
D647,828 S	11/2011	Medina	
D647,829 S	11/2011	Medina	
D647,830 S	11/2011	Medina	
D696,165 S	* 12/2013	Campbell	D12/163
D725,556 S	* 3/2015	Barnes	D12/163
2013/0025954 A1	1/2013	Miller	

OTHER PUBLICATIONS

“T440,” Kenworth Truck Company, Kirkland, Washington, 2010, 6-page brochure.  
 “T470,” Kenworth Truck Company, Kirkland, Washington, 2010, 6-page brochure.  
 “T470H,” Kenworth Truck Company, Kirkland, Washington, 2009, 2-page brochure.  
 “T600,” Kenworth Truck Company, Kirkland, Washington, 1996, 7-page brochure.  
 “T600,” Kenworth Truck Company, Kirkland, Washington, 2002, 28-page brochure.  
 “T600,” Kenworth Truck Company, Kirkland, Washington, 2005, 24-page brochure.  
 “T600A,” Kenworth Truck Company, Kirkland, Washington, 1985, 10-page brochure.  
 “T660,” Kenworth Truck Company, Kirkland, Washington, 2007, 36-page brochure.  
 “T660,” Kenworth Truck Company, Kirkland, Washington, 2009, 36-page brochure.  
 “T700,” Kenworth Truck Company, Kirkland, Washington, 2010, 6-page brochure.  
 “T800,” Kenworth Truck Company, Kirkland, Washington, 1996, 7-page brochure.  
 “T800,” Kenworth Truck Company, Kirkland, Washington, 2002, 32-page brochure.

“T800,” Kenworth Truck Company, Kirkland, Washington, 2003, 32-page brochure.  
 “T800,” Kenworth Truck Company, Kirkland, Washington, 2005, 28-page brochure.  
 “T800,” Kenworth Truck Company, Kirkland, Washington, 2009, 28-page brochure.  
 “T800B,” Kenworth Truck Company, Kirkland, Washington, 1993, 8-page brochure.  
 “The Working Class,” Peterbilt Motors Company, Newark, California, Sep. 1976, 6-page brochure.  
 “The World’s Best,” Kenworth Truck Company, Kirkland, Washington, 1992, 12-page brochure.  
 “Unibilt™ Cab Sleeper System,” Peterbilt Motors Company, Denton Texas, Aug. 1994, 6-page brochure.  
 “W900,” Kenworth Truck Company, Kirkland, Washington, 1996, 7-page brochure.  
 “W900,” Kenworth Truck Company, Kirkland, Washington, 2002, 32-page brochure.  
 “W900,” Kenworth Truck Company, Kirkland, Washington, 2005, 28-page brochure.  
 “W900,” Kenworth Truck Company, Kirkland, Washington, 2009, 28-page brochure.  
 “W900L Aero Cab,” Kenworth Truck Company, Kirkland, Washington, 1994, 2-page brochure.  
 “AeroCab,” Kenworth Truck Company, Kirkland, Washington, 1993, 5-page brochure.  
 “AeroCab,” Kenworth Truck Company, Kirkland, Washington, as early as 1995, 3-page brochure.  
 “C500B,” Kenworth Truck Company, Kirkland, Washington, as early as 1990, 4-page brochure.  
 “Class Pays, Medium Duty,” Peterbilt Motors Company, Denton, Texas, Sep. 2000, 12-page brochure.  
 “Class Pays, Truck Models,” Peterbilt Motors Company, Denton, Texas, Mar. 2005, 24-page brochure.  
 “Class Pays,” Peterbilt Motors Company, Denton, Texas, Nov. 1998, 10-page brochure.  
 Class Pays, Peterbilt Motors Company, Denton, Texas, Sep. 1997, 10-page brochure.  
 Class Pays, Construction Trucks, Peterbilt Motors Company, Denton, Texas, Nov. 2003, 16-page brochure.  
 “Kenworth Truck Models,” Kenworth Truck Company, Kirkland, Washington, 2010, 16-page brochure.  
 “Model 320,” Peterbilt Motors Company, Denton, Texas, May 1996, 2-page brochure.  
 “Model 357 Heavy Haul,” Peterbilt Motors Company, Denton, Texas, Mar. 2005, 2-page brochure.  
 “Model 357 Standard Specifications,” Peterbilt Motors Company, Newark, California, Sep. 1986, 6-page brochure.  
 “Model 357, New Sloped Hood,” Peterbilt Motors Company, Denton, Texas, May 2002, 2-page brochure.  
 “Model 357,” Peterbilt Motors Company, Denton, Texas, May 1994, 3-page brochure.  
 “Model 357-115,” Peterbilt Motors Company, Denton, Texas, Mar. 2005, 2-page brochure.  
 “Model 375 Standard Specifications,” Peterbilt Motors Company, Newark, California, Sep. 1986, 6-page brochure.  
 “Model 377A/E,” Peterbilt Motors Company, Denton, Texas, Aug. 1997, 2-page brochure.  
 “Model 377A/E,” Peterbilt Motors Company, Denton, Texas, Jan. 1995, 6-page brochure.  
 “Model 378,” Peterbilt Motors Company, Denton, Texas, Mar. 1998, 3-page brochure.  
 “T300,” Kenworth Truck Company, Kirkland, Washington, 1997, 5-page brochure.  
 “Model 379,” Peterbilt Motors Company, Denton, Texas, Mar. 1996, 5-page brochure.  
 “Model 385,” Peterbilt Motors Company, Denton, Texas, Oct. 1996, 5-page brochure.  
 “Model 387,” Peterbilt Motors Company, Denton, Texas, Oct. 2002, 2-page brochure.  
 “Rest with Class,” Peterbilt Motors Company, Newark, California, Apr. 1978, 4-page brochure.

(56)

**References Cited**

OTHER PUBLICATIONS

“T170 Class 5,” Kenworth Truck Company, Kirkland, Washington, 2008, 4-page brochure.

“T2000,” Kenworth Truck Company, Kirkland, Washington, 1999, 20-page brochure.

“T2000,” Kenworth Truck Company, Kirkland, Washington, 2002, 20-page brochure.

“T2000,” Kenworth Truck Company, Kirkland, Washington, 2005, 20-page brochure.

“T270 Class 6 and T370 Class 7,” Kenworth Truck Company, Kirkland, Washington, 2008, 6-page brochure.

“T270 Class 6 and T370 Class 7,” Kenworth Truck Company, Kirkland, Washington, 2009, 6-page brochure.

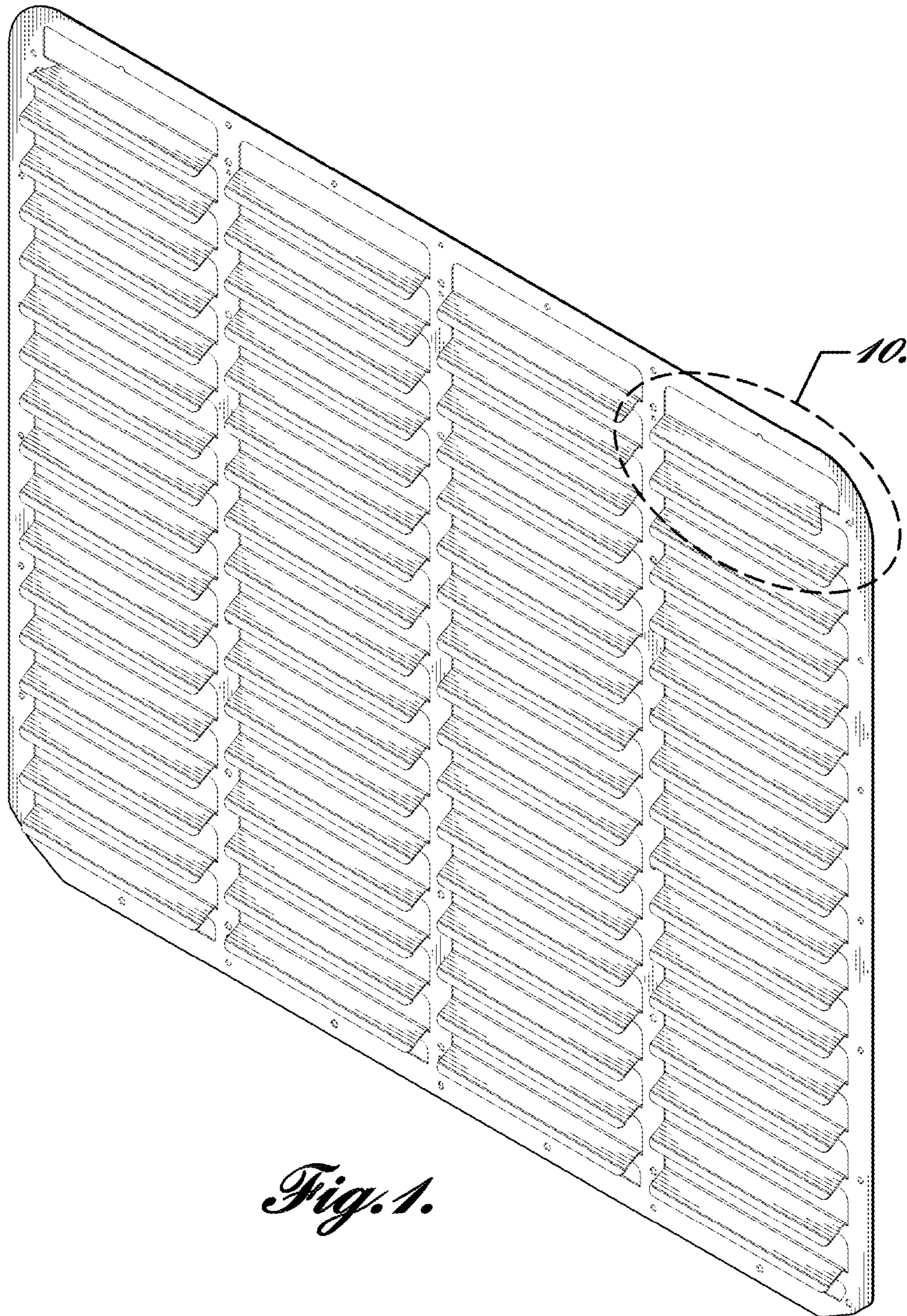
“T270 Class 6 and T370 Class 7 Hybrid,” Kenworth Truck Company, Kirkland, Washington, 2009, 6-page brochure.

“T300,” Kenworth Truck Company, Kirkland, Washington, 1994, 4-page brochure.

“T300,” Kenworth Truck Company, Kirkland, Washington, 2001, 16-page brochure.

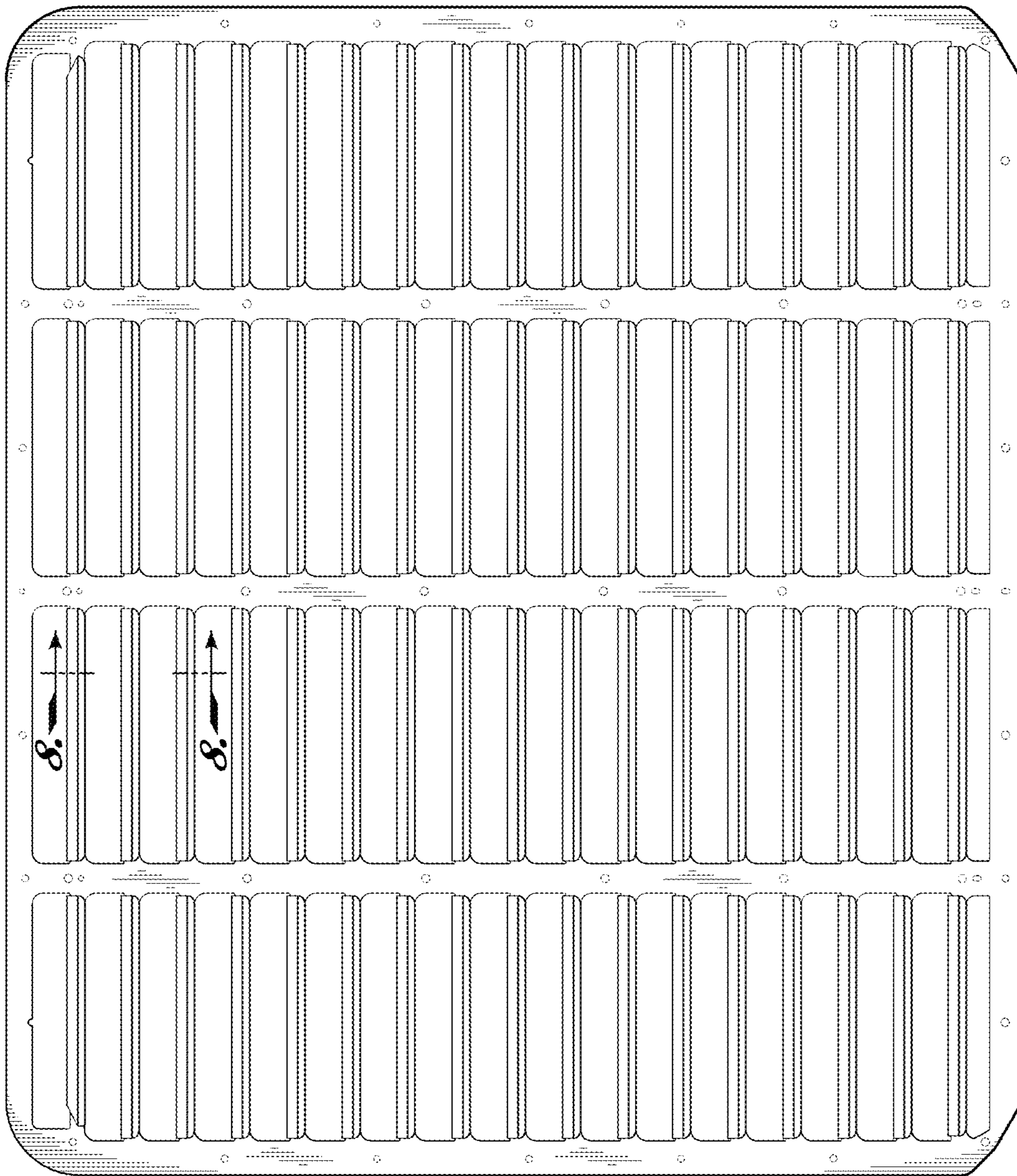
“T300,” Kenworth Truck Company, Kirkland, Washington, 2005, 16-page brochure.

\* cited by examiner

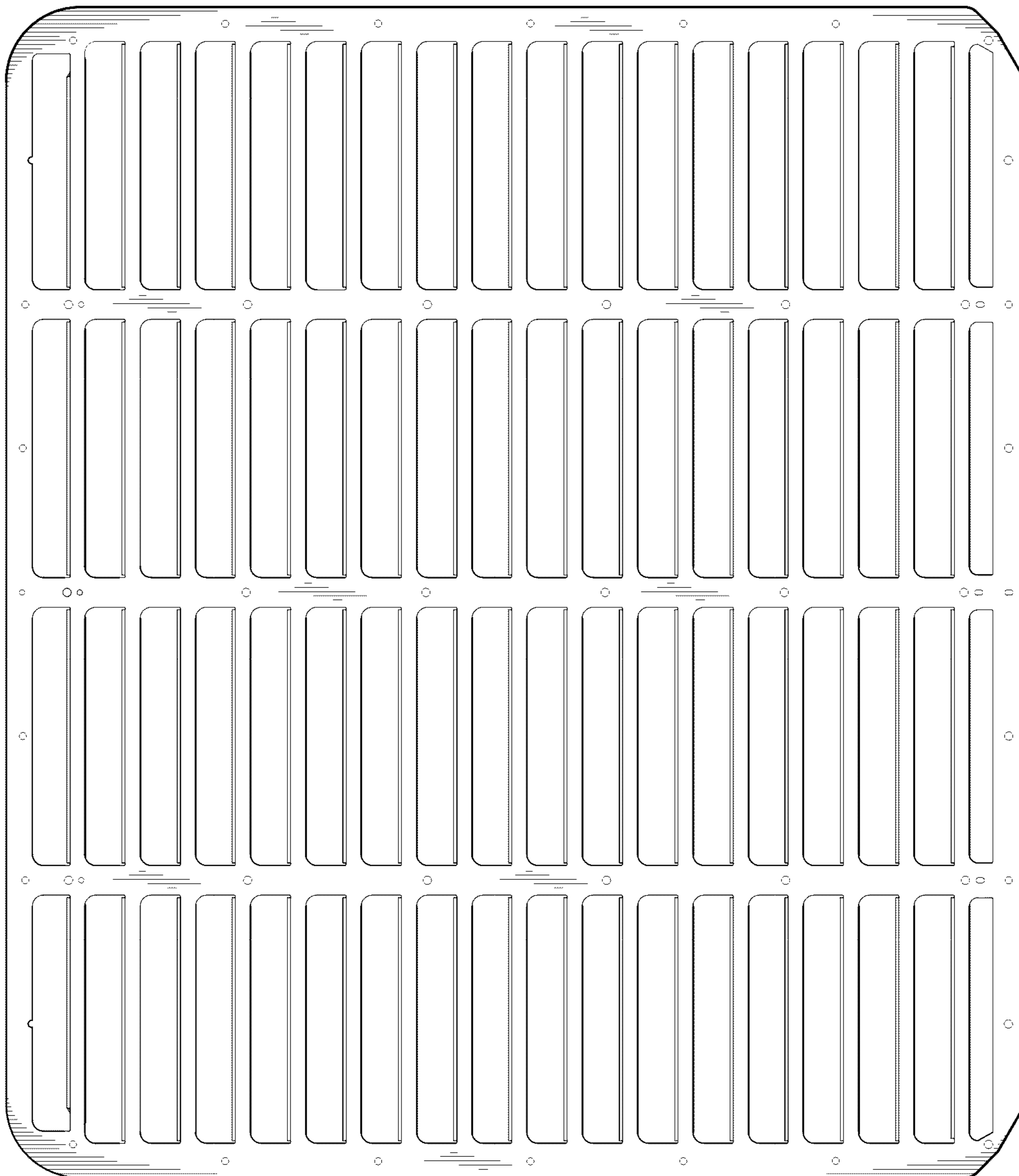


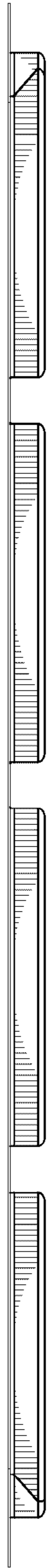
*Fig. 1.*

*Fig. 2.*



*Fig. 3.*

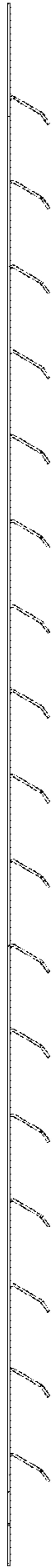




*Fig. 4.*



*Fig. 5.*

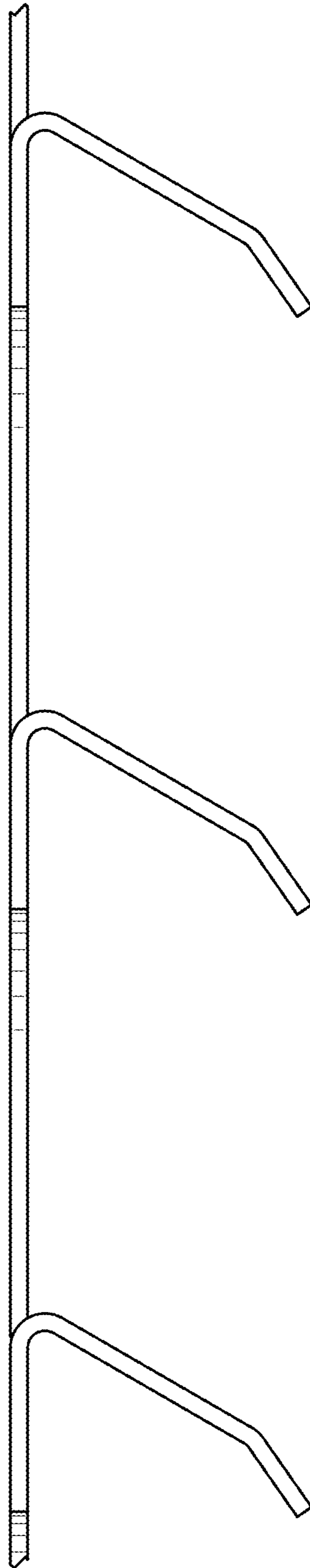


*Fig. 6.*

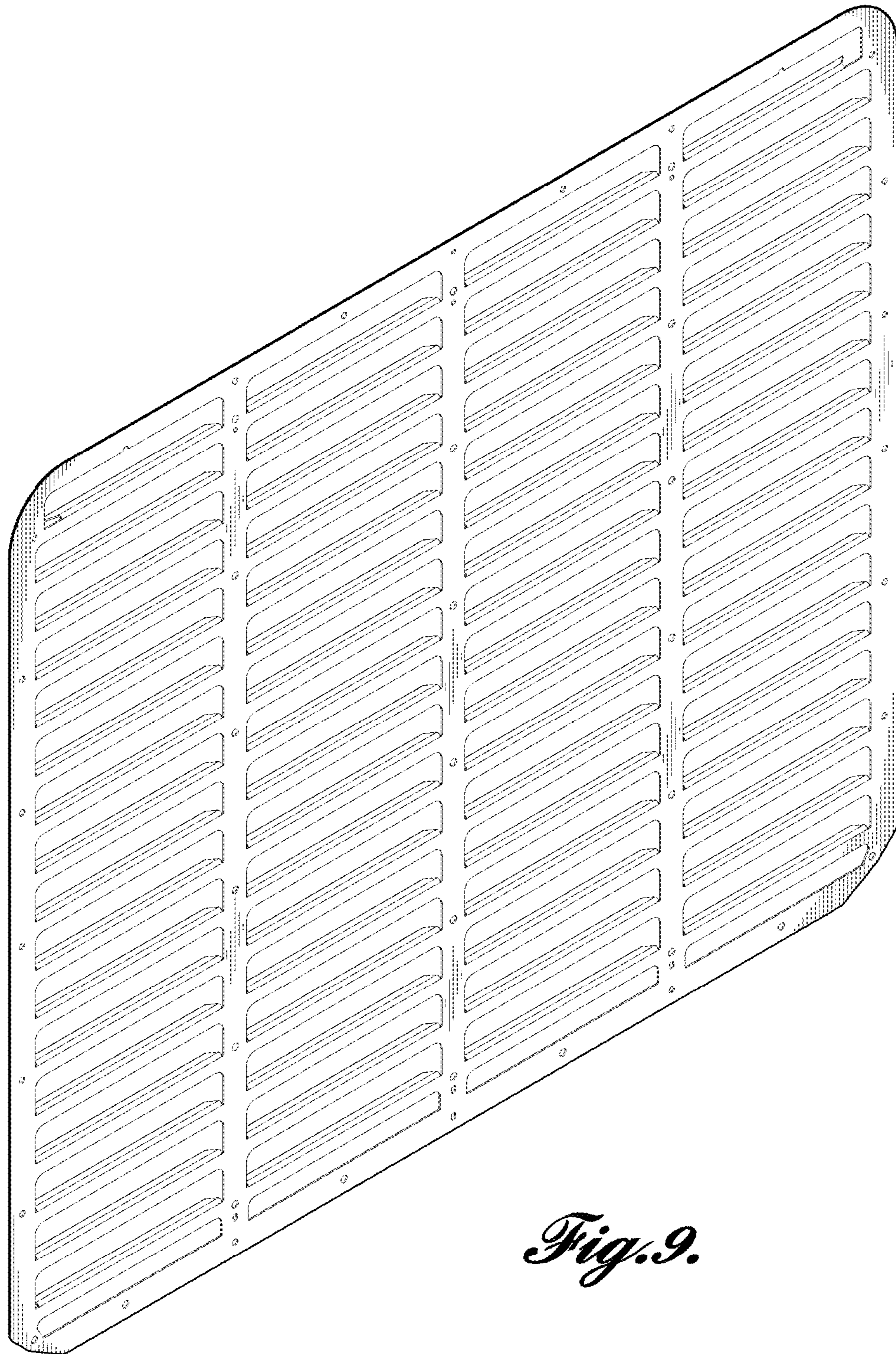


*Fig. 7.*

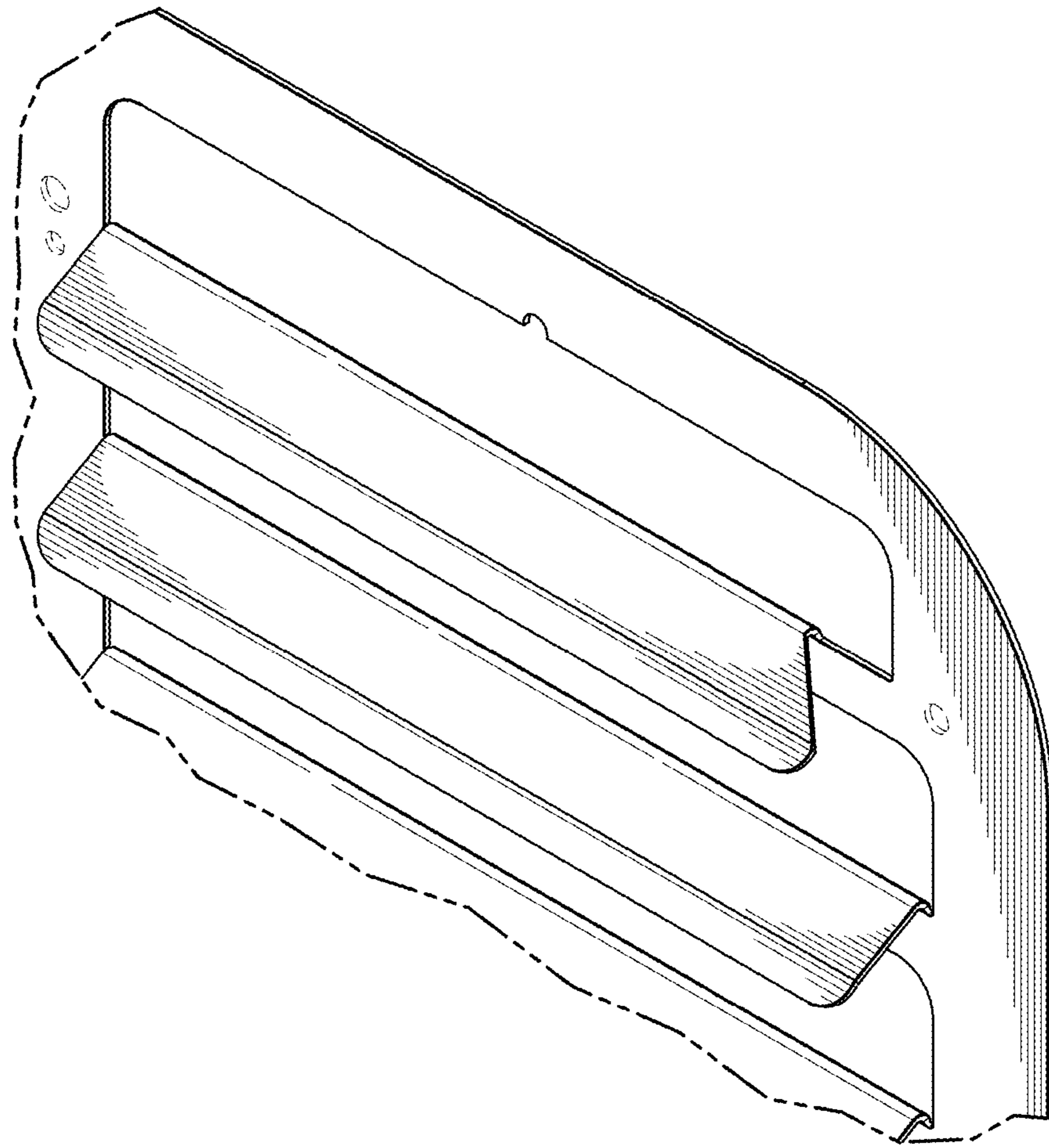




*Fig. 8.*



*Fig. 9.*



*Fig. 10.*