



US00D770333S

(12) **United States Design Patent** (10) **Patent No.:** **US D770,333 S**
Zeltzer (45) **Date of Patent:** **** Nov. 1, 2016**

(54) **WHEELCHAIR TRAINER**
(71) Applicant: **David Zeltzer**, Beer-Yakov (IL)
(72) Inventor: **David Zeltzer**, Beer-Yakov (IL)

(**) Term: **14 Years**

(21) Appl. No.: **29/496,506**

(22) Filed: **Jul. 14, 2014**

(51) **LOC (10) Cl.** **12-12**

(52) **U.S. Cl.**
USPC **D12/133**

(58) **Field of Classification Search**
USPC D12/131, 133
CPC A61G 5/00-5/14
See application file for complete search history.

(56) **References Cited**

U.S. PATENT DOCUMENTS

D231,678 S *	5/1974	Trotter	D21/669
D280,652 S *	9/1985	de Buck	D21/676
D280,653 S *	9/1985	de Buck	D21/676
D366,433 S *	1/1996	Evans	D10/83
D379,599 S *	6/1997	Dobeck	D10/83
D461,732 S *	8/2002	Stickels	D10/83
2010/0170334 A1 *	7/2010	Cogotti	G01M 9/04 73/147

2012/0316800 A1* 12/2012 Shteinhauz G01M 17/025
702/56
2014/0238121 A1* 8/2014 Bonacini G01D 11/02
73/116.01

* cited by examiner

Primary Examiner — Charles Hanson

(74) *Attorney, Agent, or Firm* — Pillsbury Winthrop Shaw Pittman LLP

(57) **CLAIM**

The ornamental design for a wheelchair trainer, as shown and described.

DESCRIPTION

FIG. 1 is a perspective view of a wheelchair trainer showing my new design;

FIG. 2 is a top view thereof;

FIG. 3 is a front view thereof;

FIG. 4 is a back view thereof;

FIG. 5 is a left side view thereof;

FIG. 6 is a right side view thereof;

FIG. 7 is a bottom view thereof;

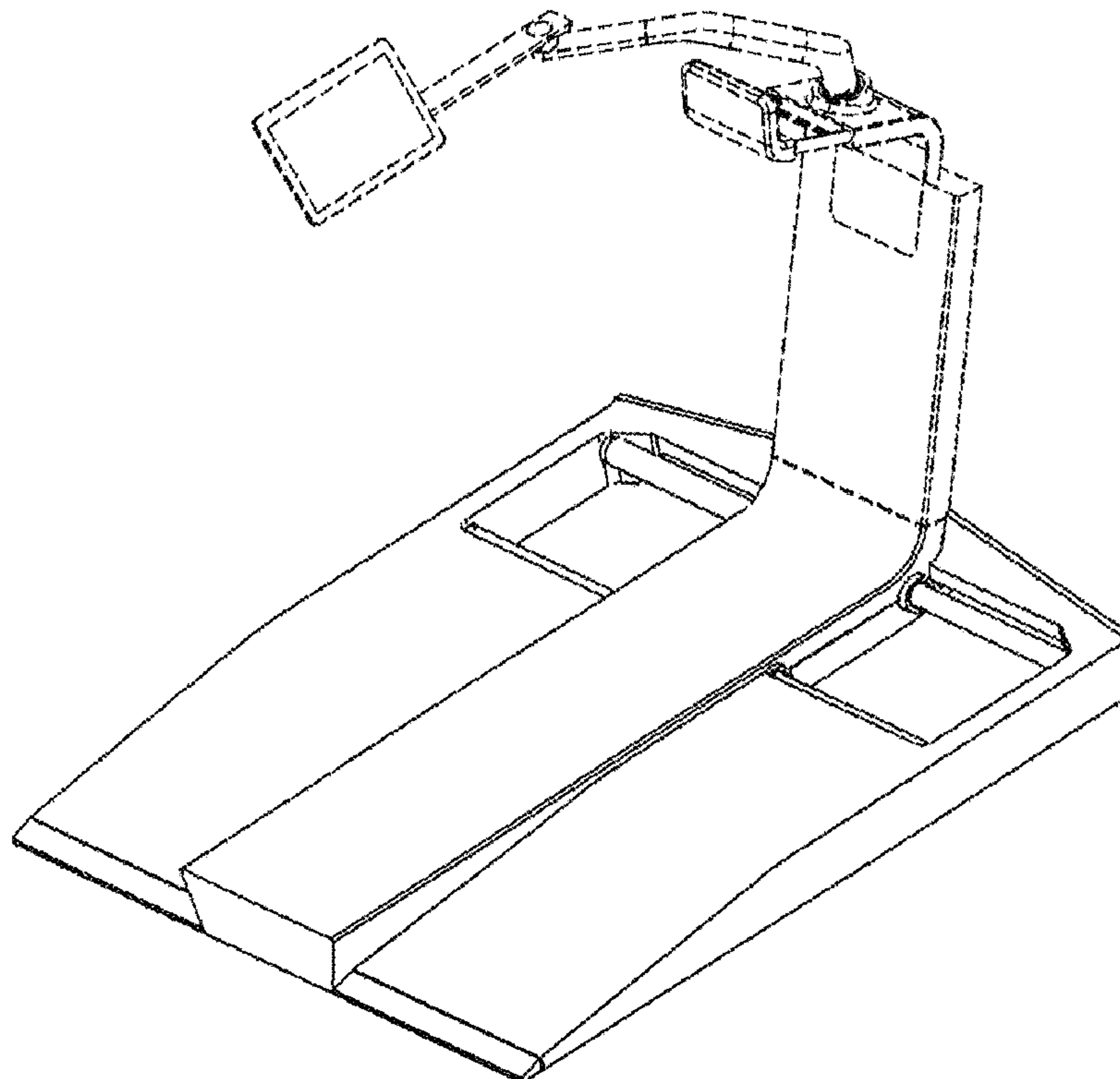
FIG. 8 is a perspective view thereof, showing a wheelchair mounted on the platform; and,

FIG. 9 is a right side view thereof.

The broken line showing is included for the purpose of illustrating portions that form no part of the claimed design.

The broken line showing of the wheelchair in FIGS. 8 and 9 is included for the purpose of illustrating environment and forms no part of the claimed design.

1 Claim, 9 Drawing Sheets



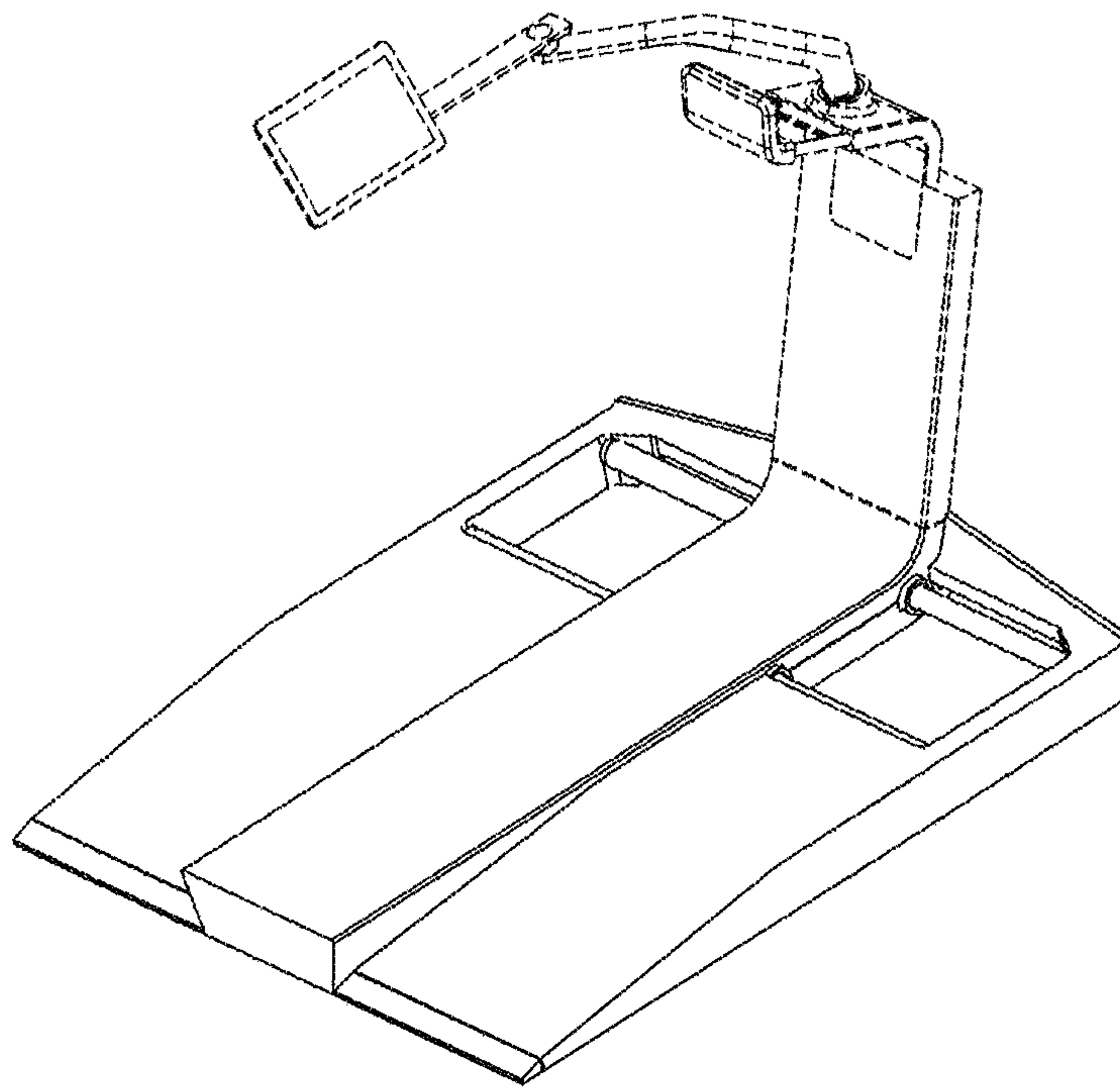


Figure 1

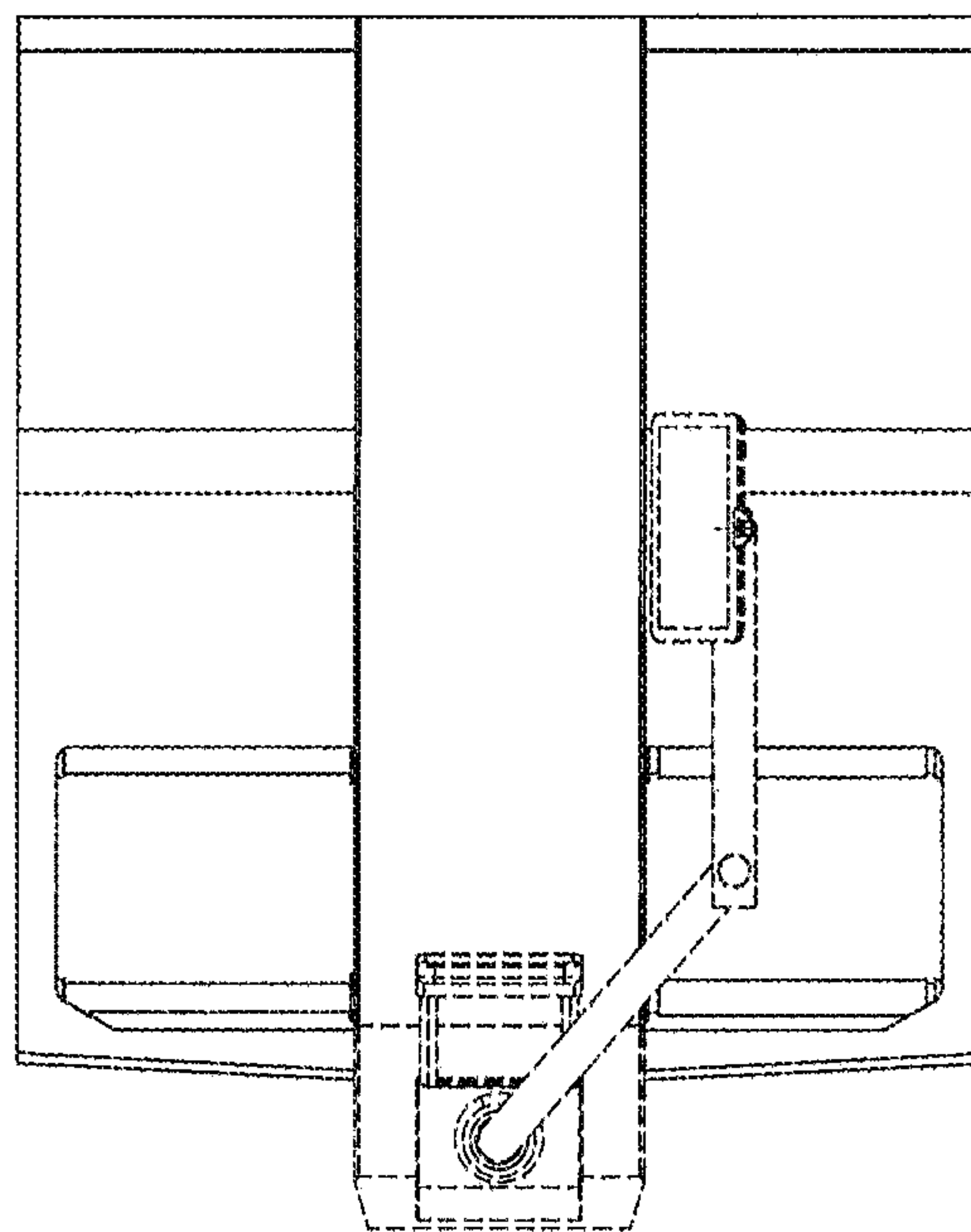


Figure 2

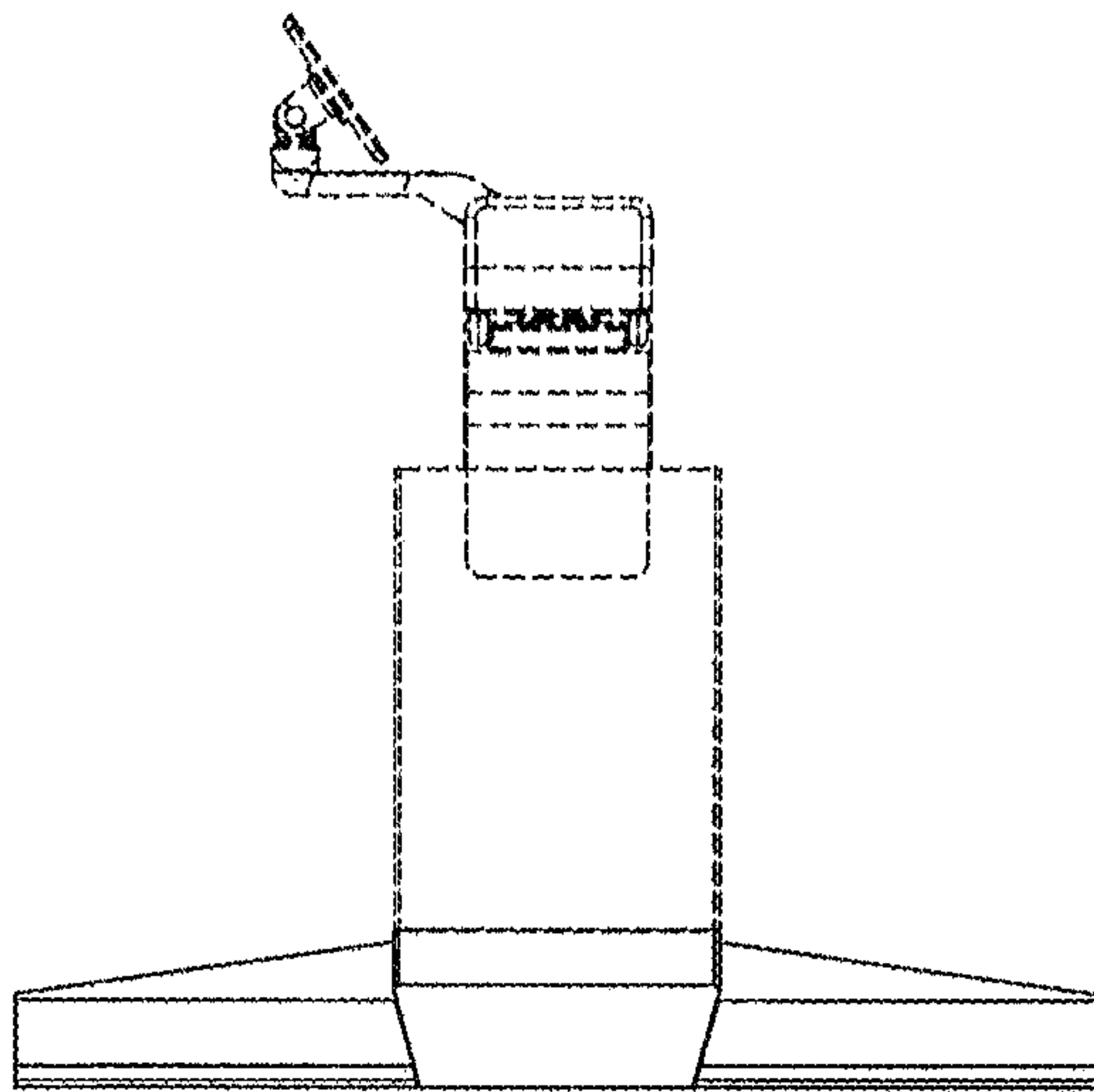


Figure 3

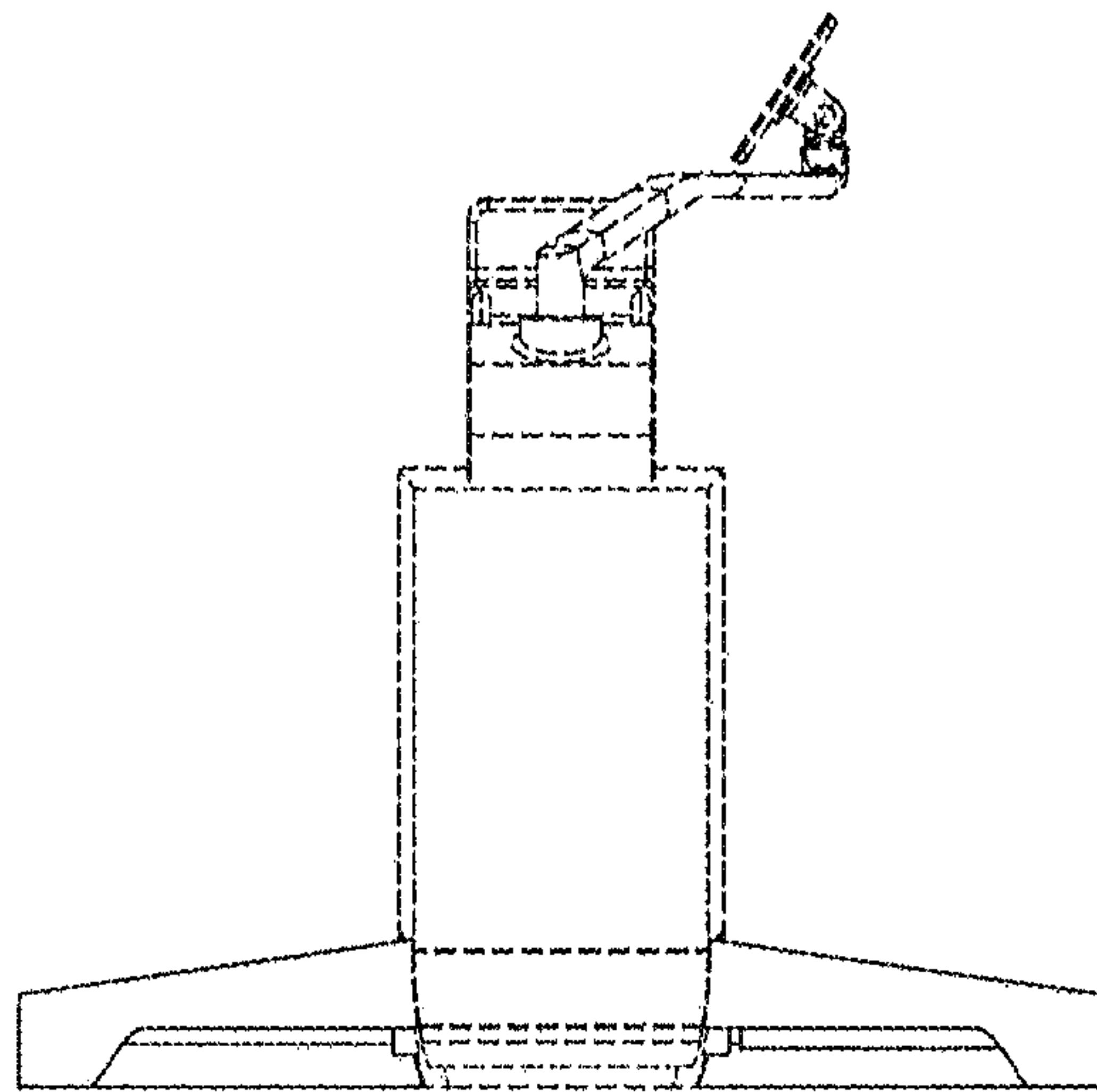


Figure 4

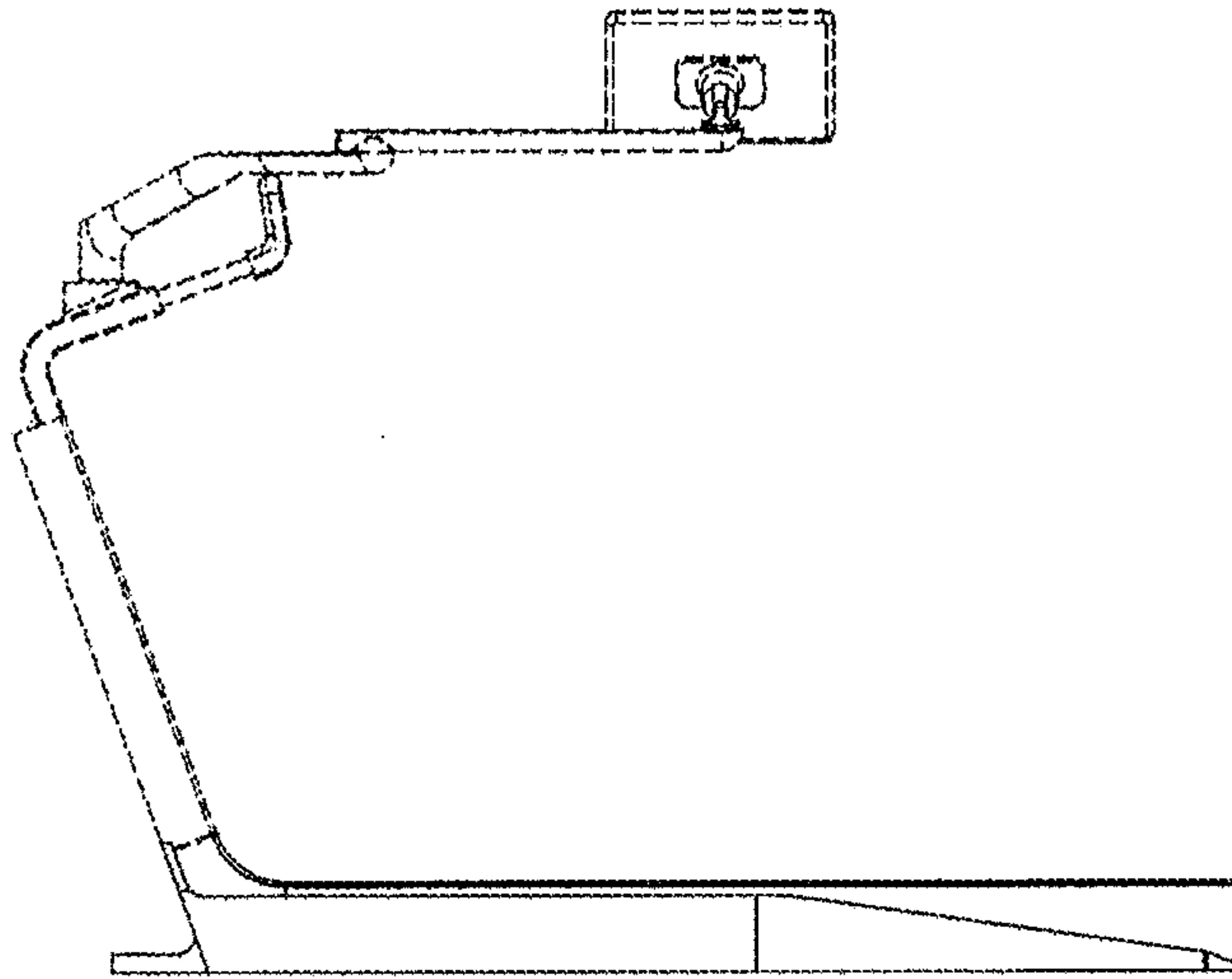


Figure 5

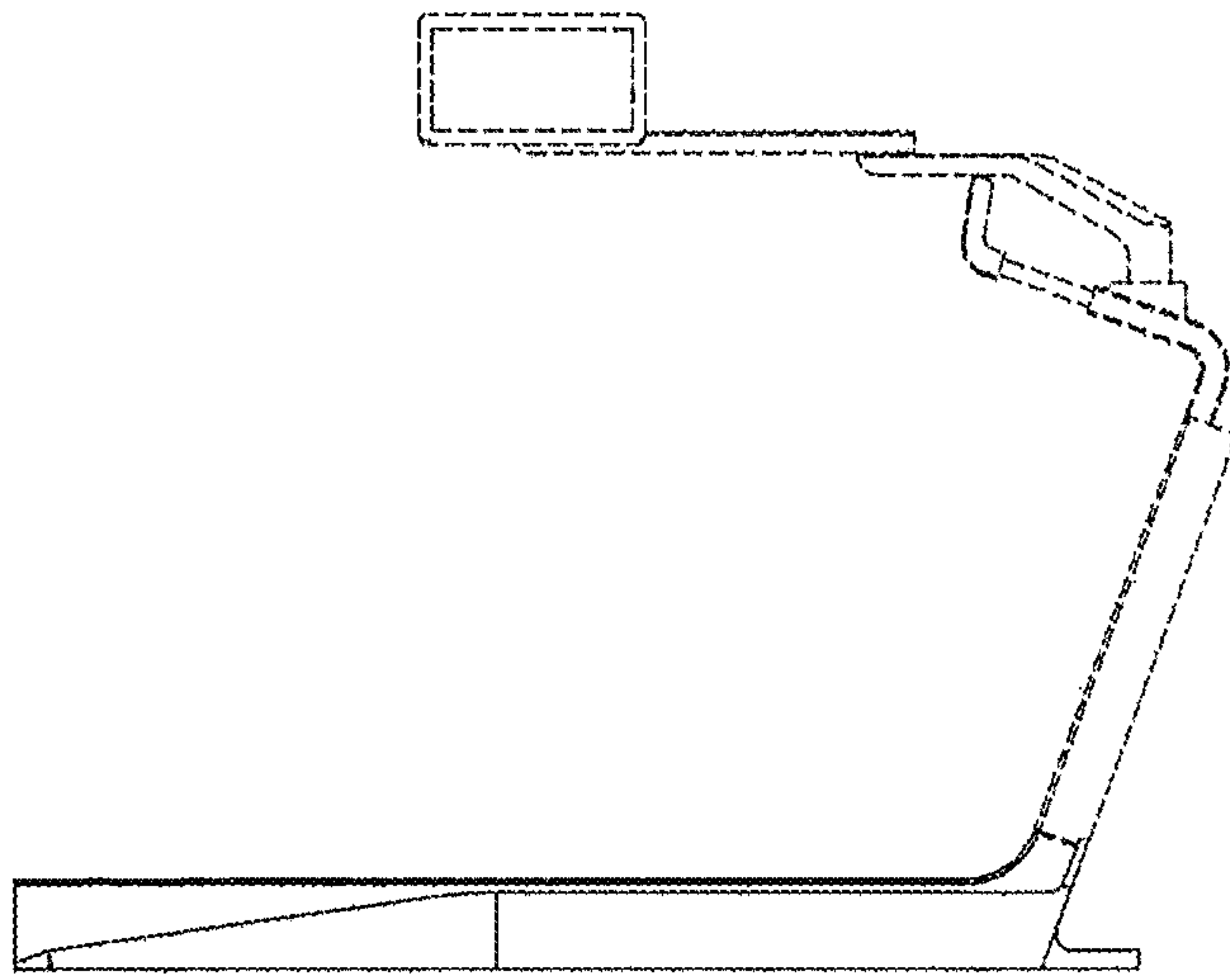


Figure 6

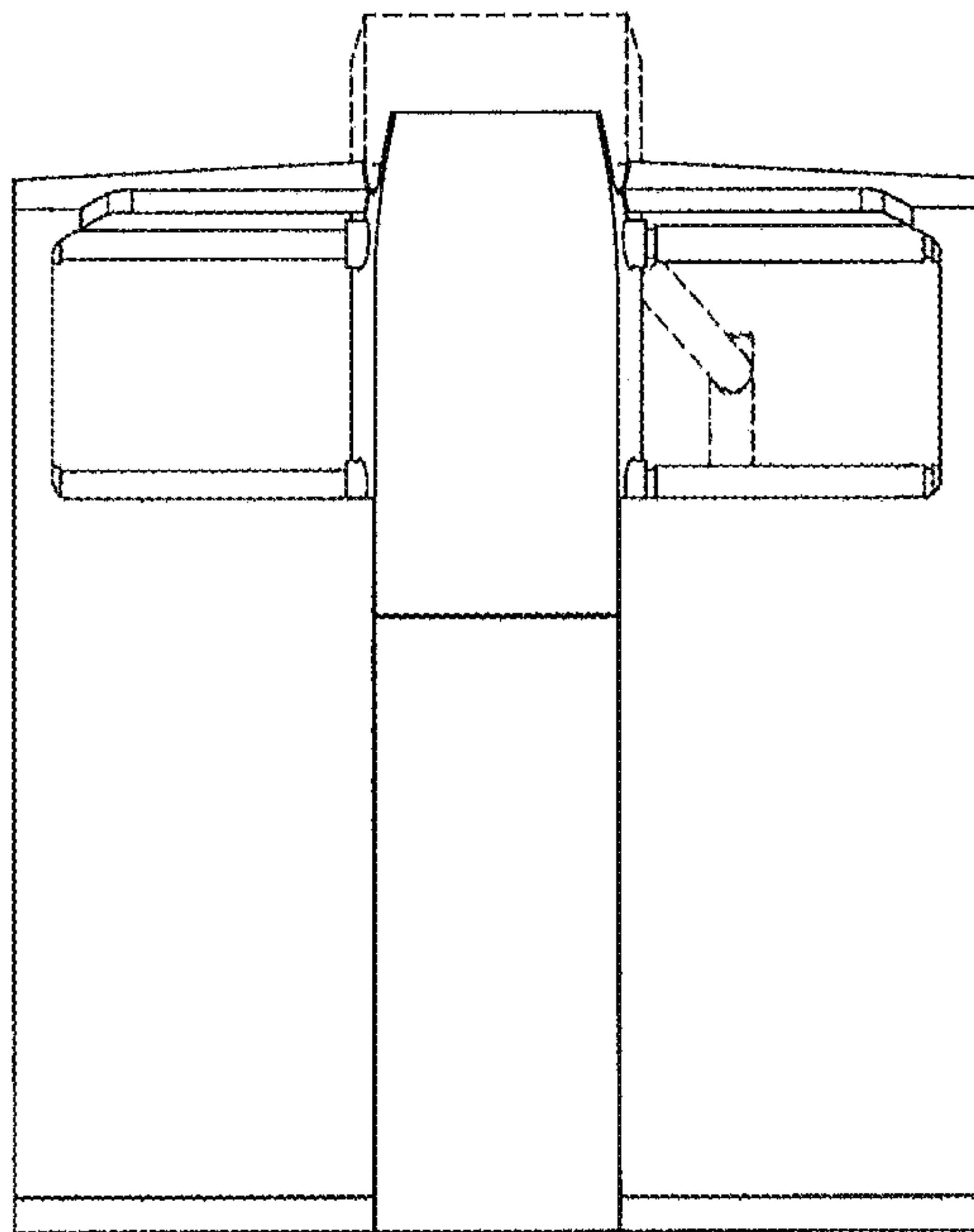


Figure 7

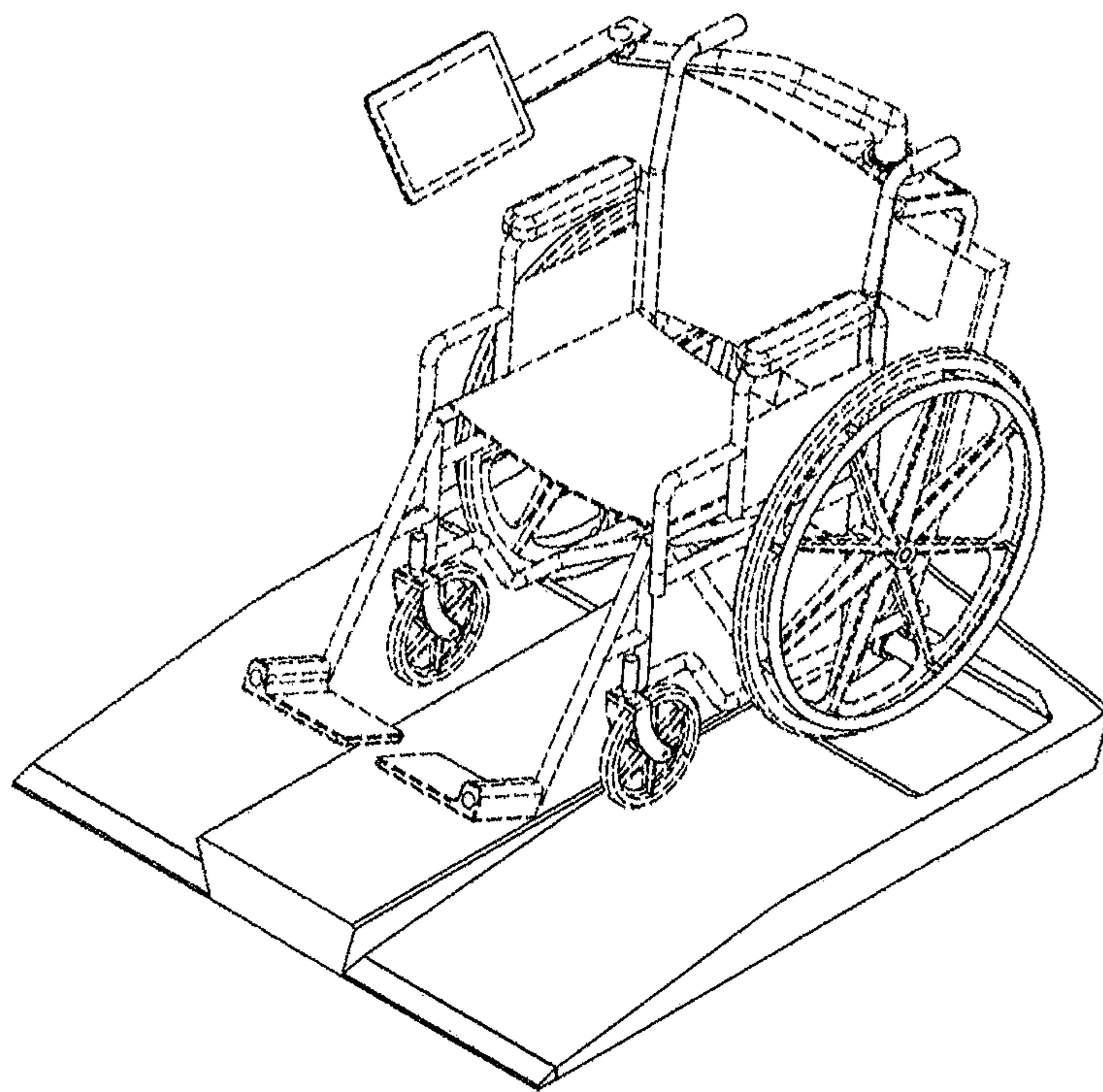


Figure 8

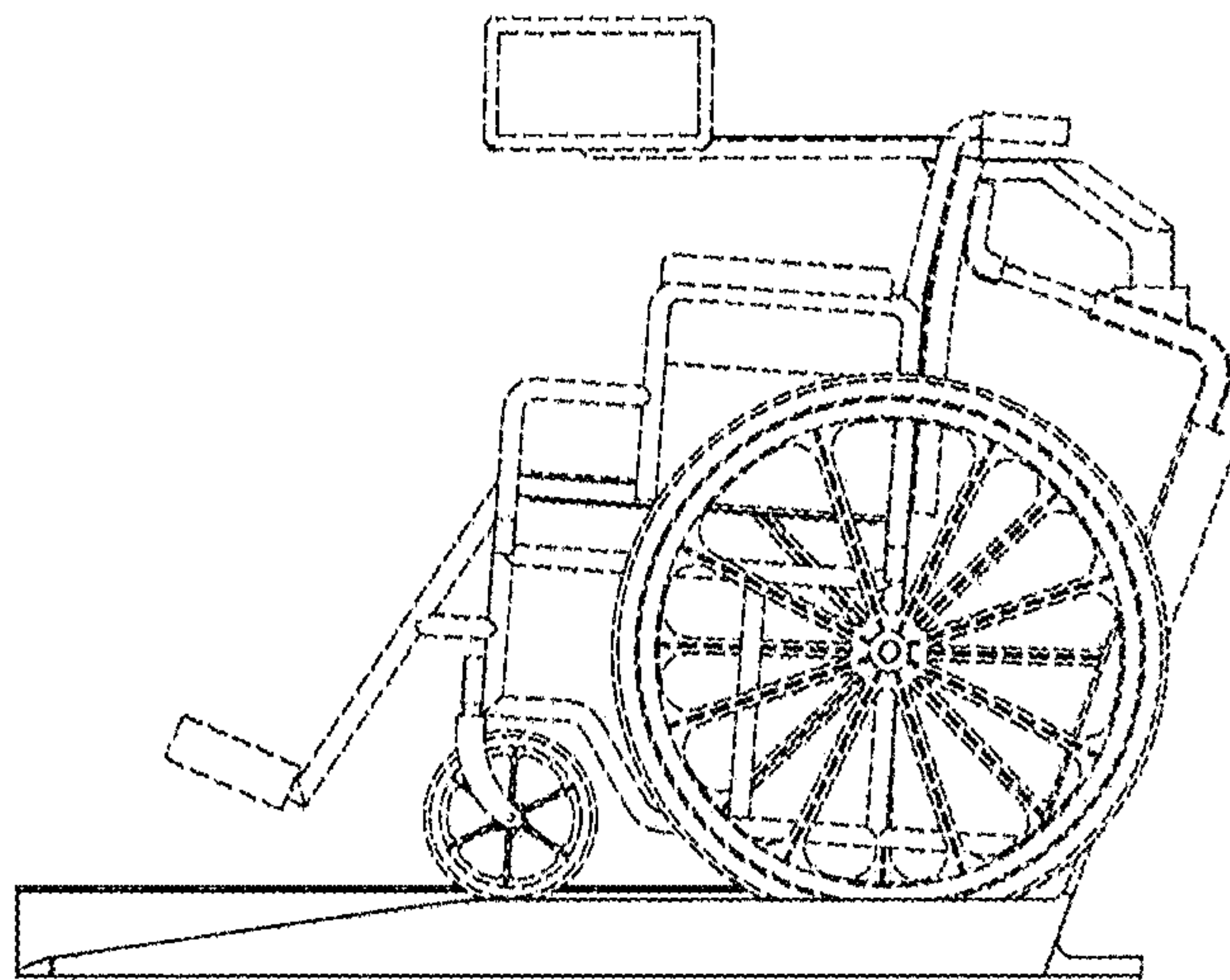


Figure 9