



US00D770331S

(12) **United States Design Patent**
Gabriely et al.

(10) **Patent No.:** **US D770,331 S**

(45) **Date of Patent:** **** Nov. 1, 2016**

- (54) **WHEELCHAIR**
- (71) Applicants: **Yoav Gabriely**, Yokneam Illit (IL);
Ruth Reuveni, Ramot (IL)
- (72) Inventors: **Yoav Gabriely**, Yokneam Illit (IL);
Ruth Reuveni, Ramot (IL)
- (73) Assignee: **ZRIHA HLAVIN INDUSTRIES LTD.**,
Barkan (IL)
- (**) Term: **14 Years**
- (21) Appl. No.: **29/497,012**
- (22) Filed: **Jul. 20, 2014**
- (51) **LOC (10) Cl.** **12-12**
- (52) **U.S. Cl.**
USPC **D12/131**
- (58) **Field of Classification Search**
USPC **D12/131**
CPC **A61G 5/00-5/14**
See application file for complete search history.

- 7,938,434 B2 * 5/2011 Smith A61G 5/02
280/250.1
- 8,641,078 B2 * 2/2014 Yang A61G 5/08
280/647
- 8,998,245 B1 * 4/2015 Anooshian A61G 5/08
280/649
- 9,039,028 B2 * 5/2015 Kobayashi A61G 5/006
280/304.1
- 9,050,224 B2 * 6/2015 Slorance A61G 5/028

* cited by examiner

Primary Examiner — Charles Hanson

(74) *Attorney, Agent, or Firm* — Mark M. Friedman

(57) **CLAIM**

The ornamental design for a wheelchair, as shown and described.

DESCRIPTION

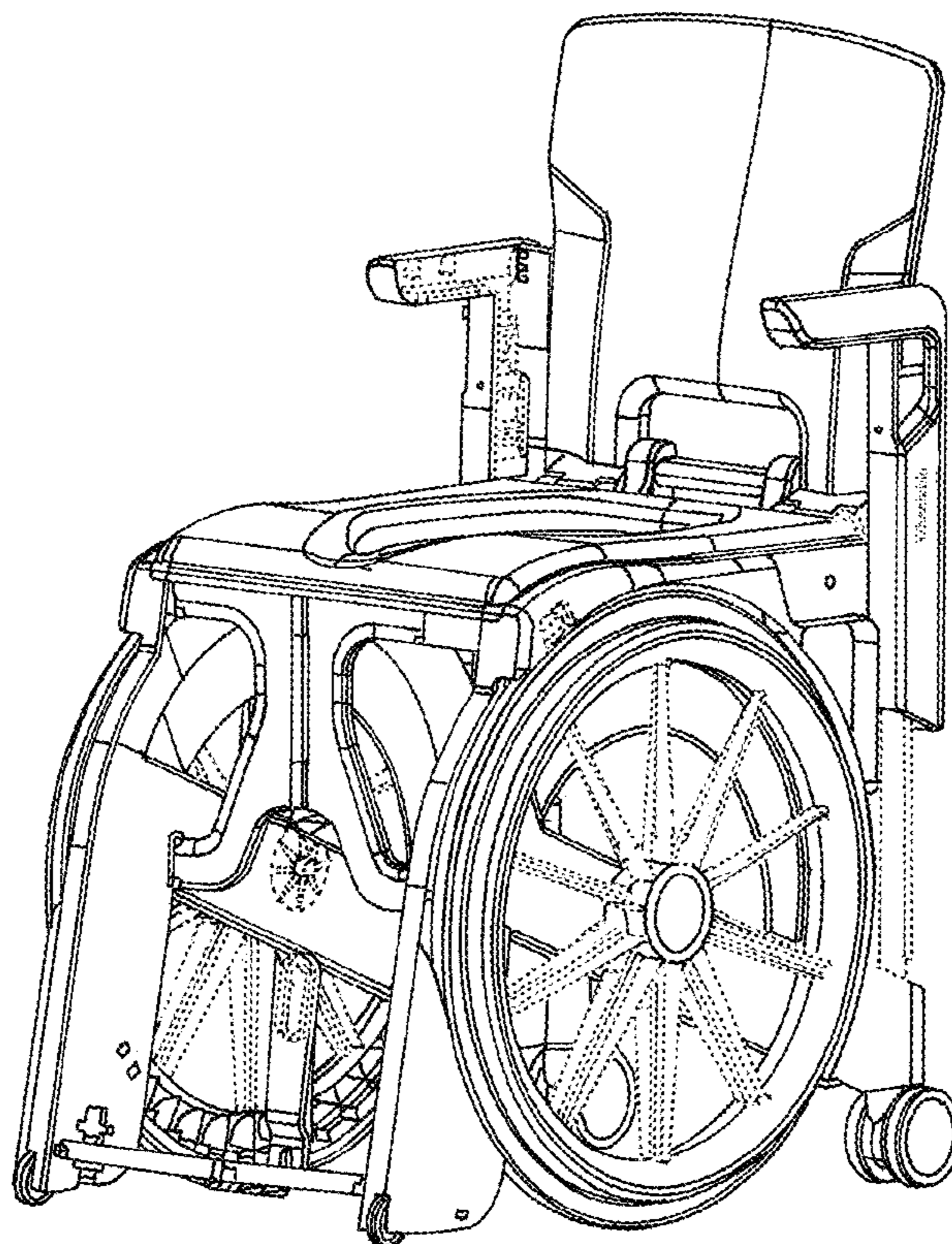
FIG. 1 is a front view of a wheelchair showing our design;
 FIG. 2 is a side view thereof;
 FIG. 3 is a side view thereof;
 FIG. 4 is a back view thereof;
 FIG. 5 is a top view thereof;
 FIG. 6 is a perspective view thereof; and,
 FIG. 7 is an additional perspective view thereof.
 The broken line showing is included for the purpose of illustrating unclaimed subject matter and forms no part of the claimed design.

(56) **References Cited**

U.S. PATENT DOCUMENTS

- D401,191 S * 11/1998 Gagnon D12/131
- D451,435 S * 12/2001 Schlangen D12/131
- D451,849 S * 12/2001 Noshi D12/131
- 7,364,228 B2 * 4/2008 Entz A61G 5/08
280/647

1 Claim, 7 Drawing Sheets



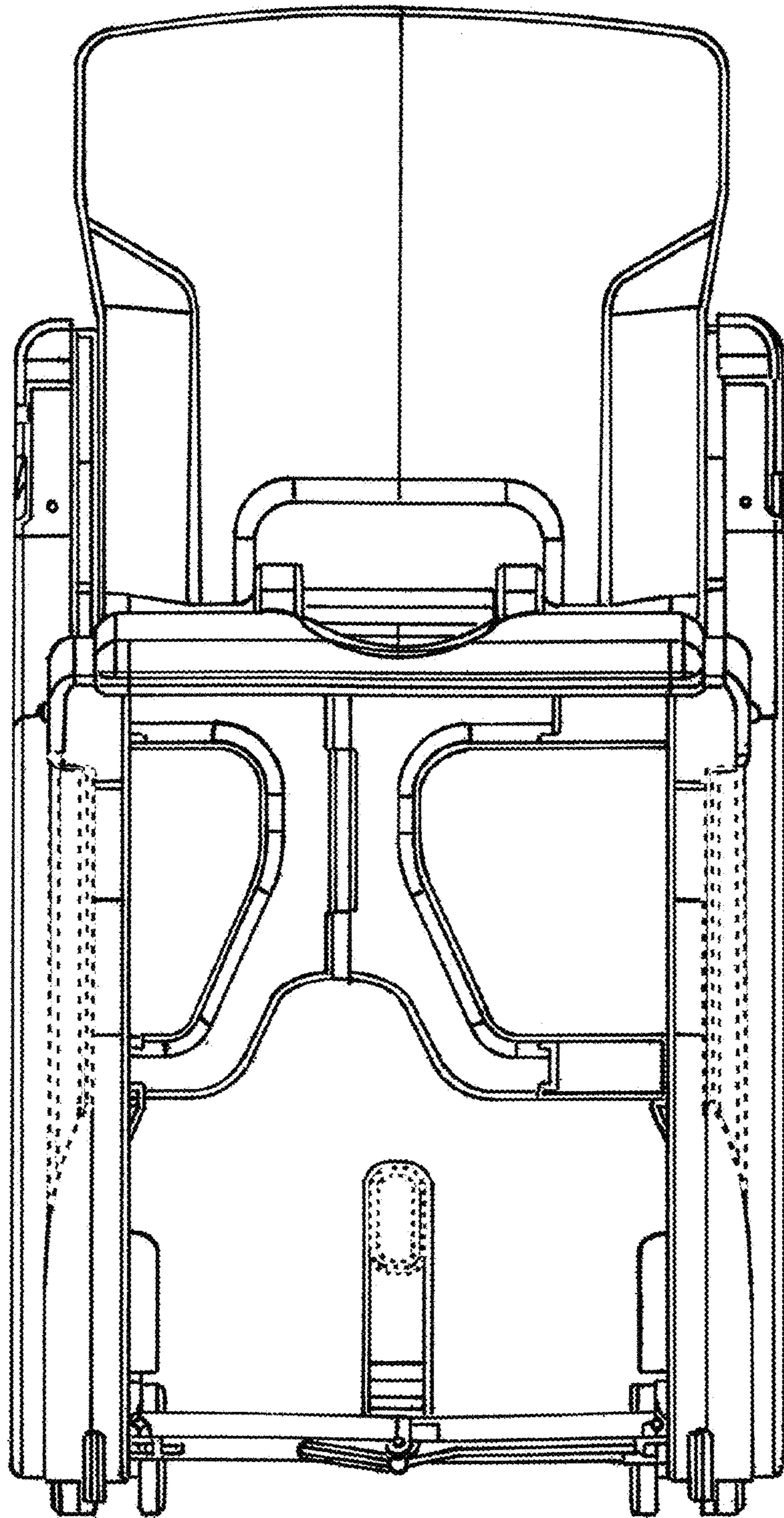


FIG.1

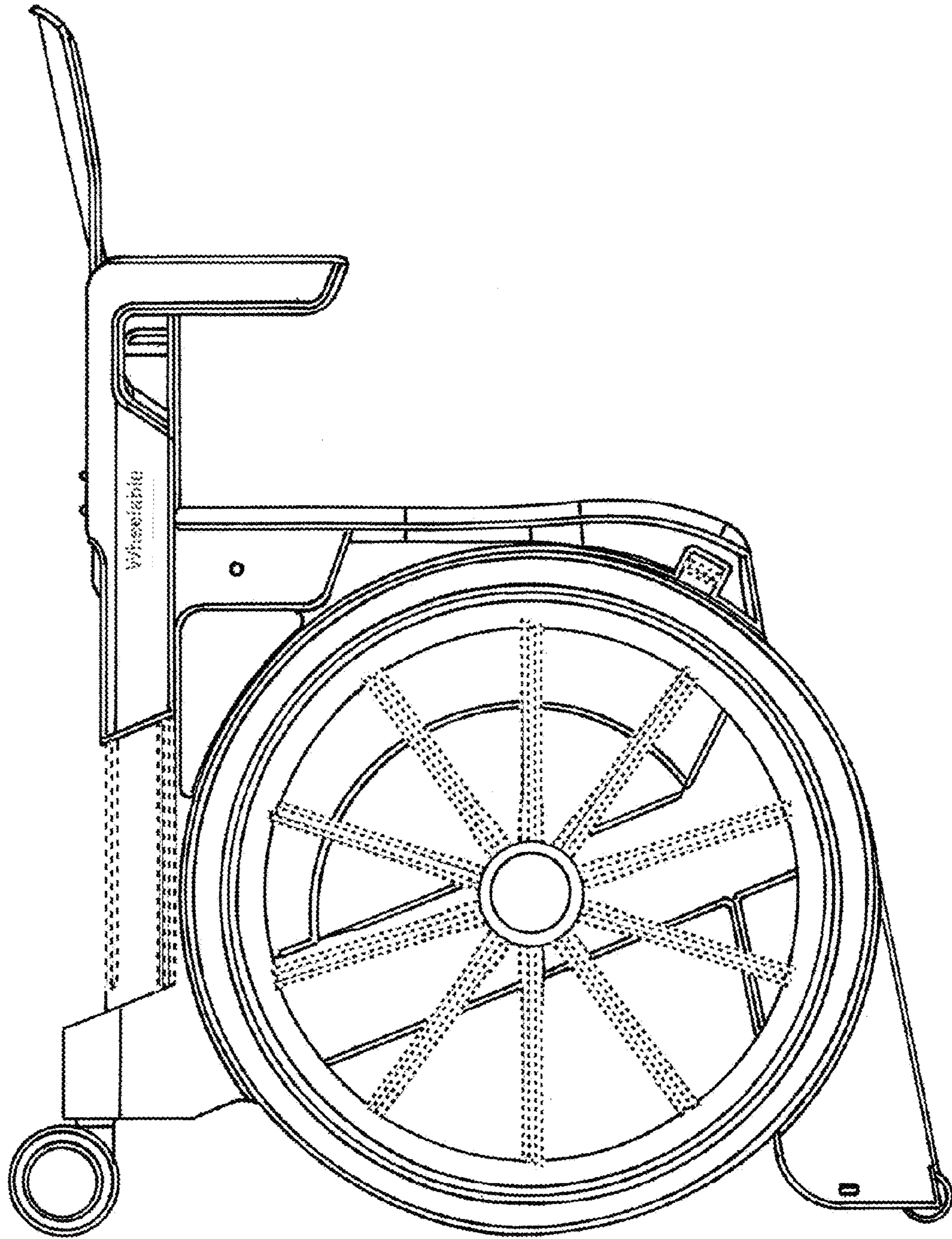


FIG.2

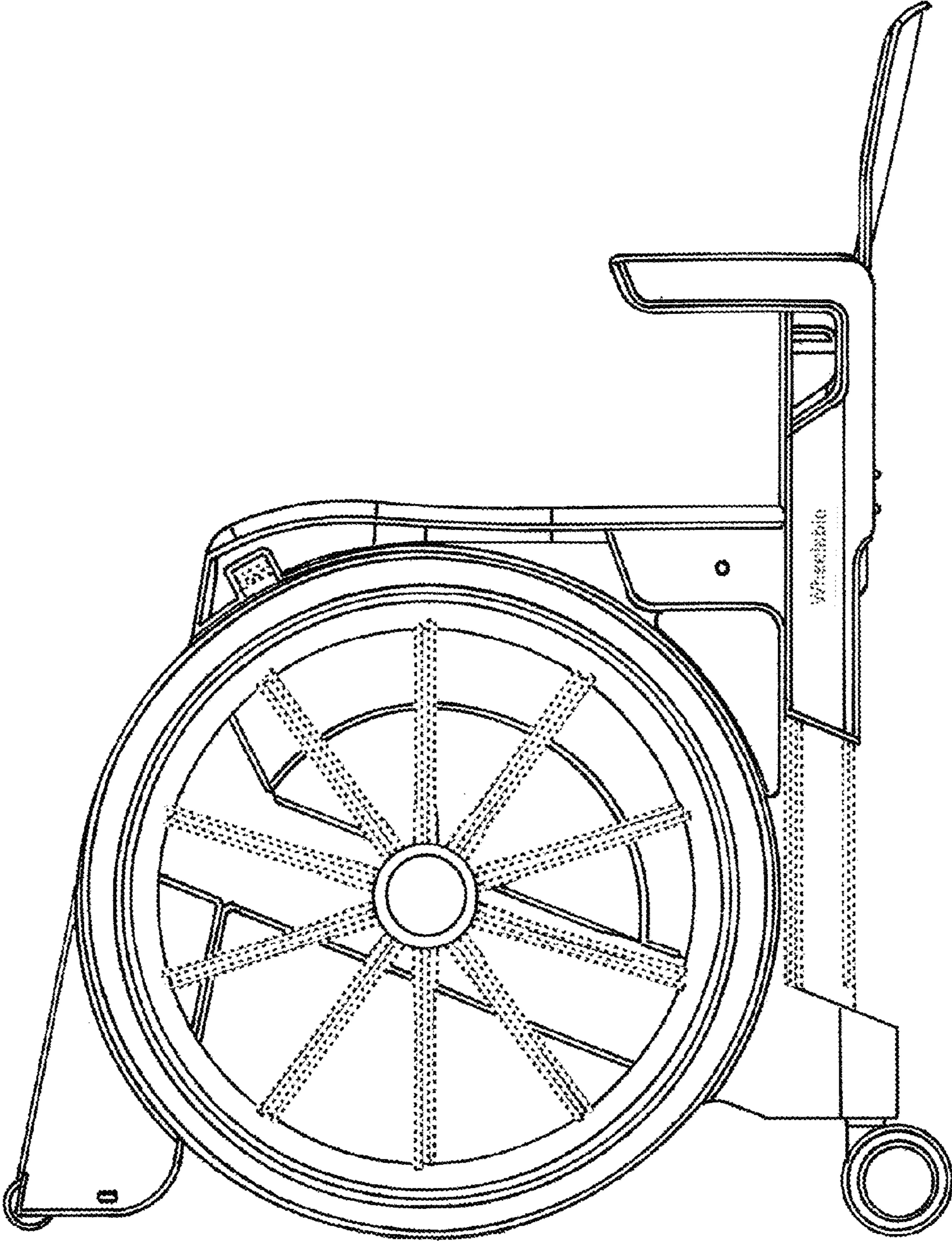


Fig. 3

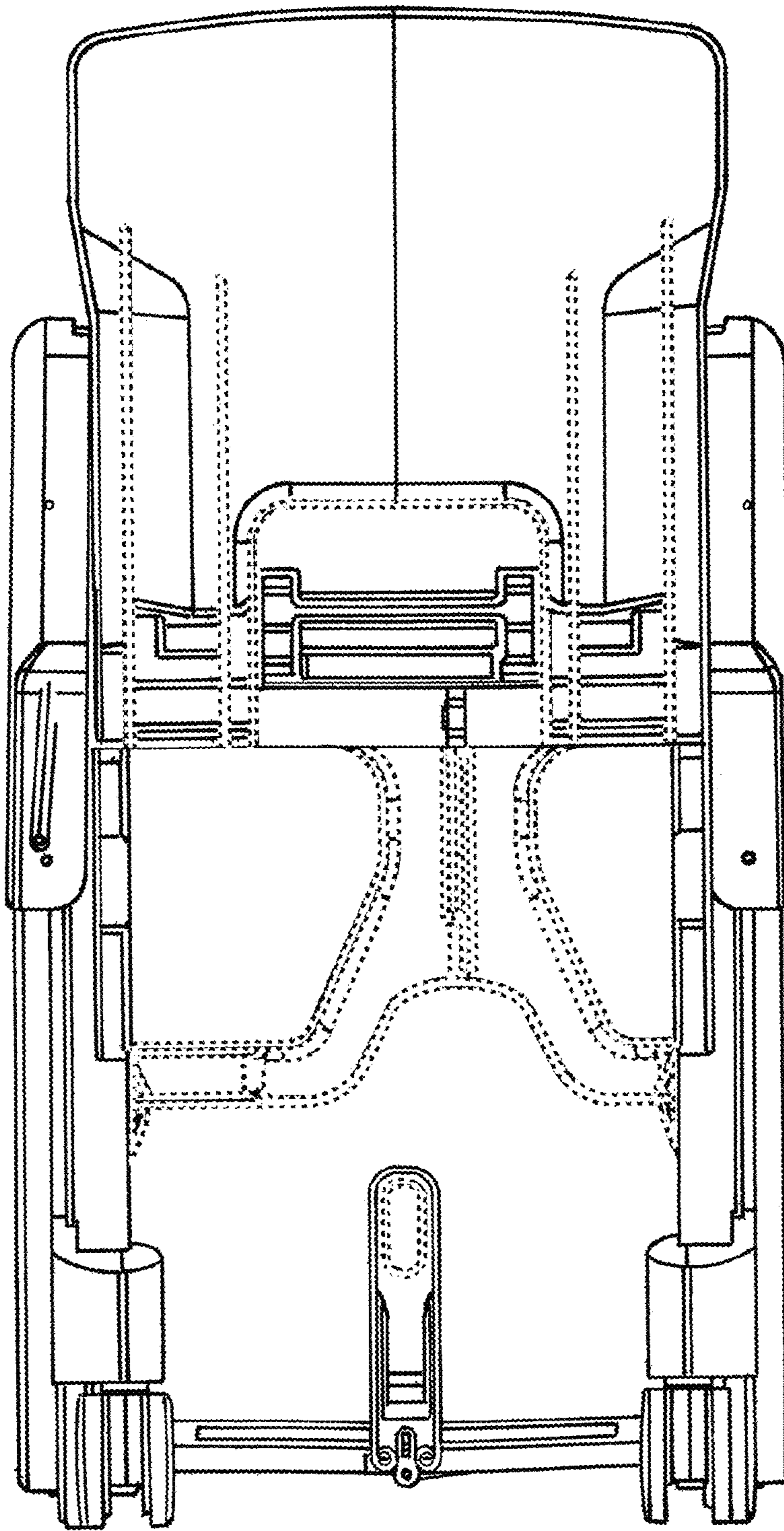


FIG.4

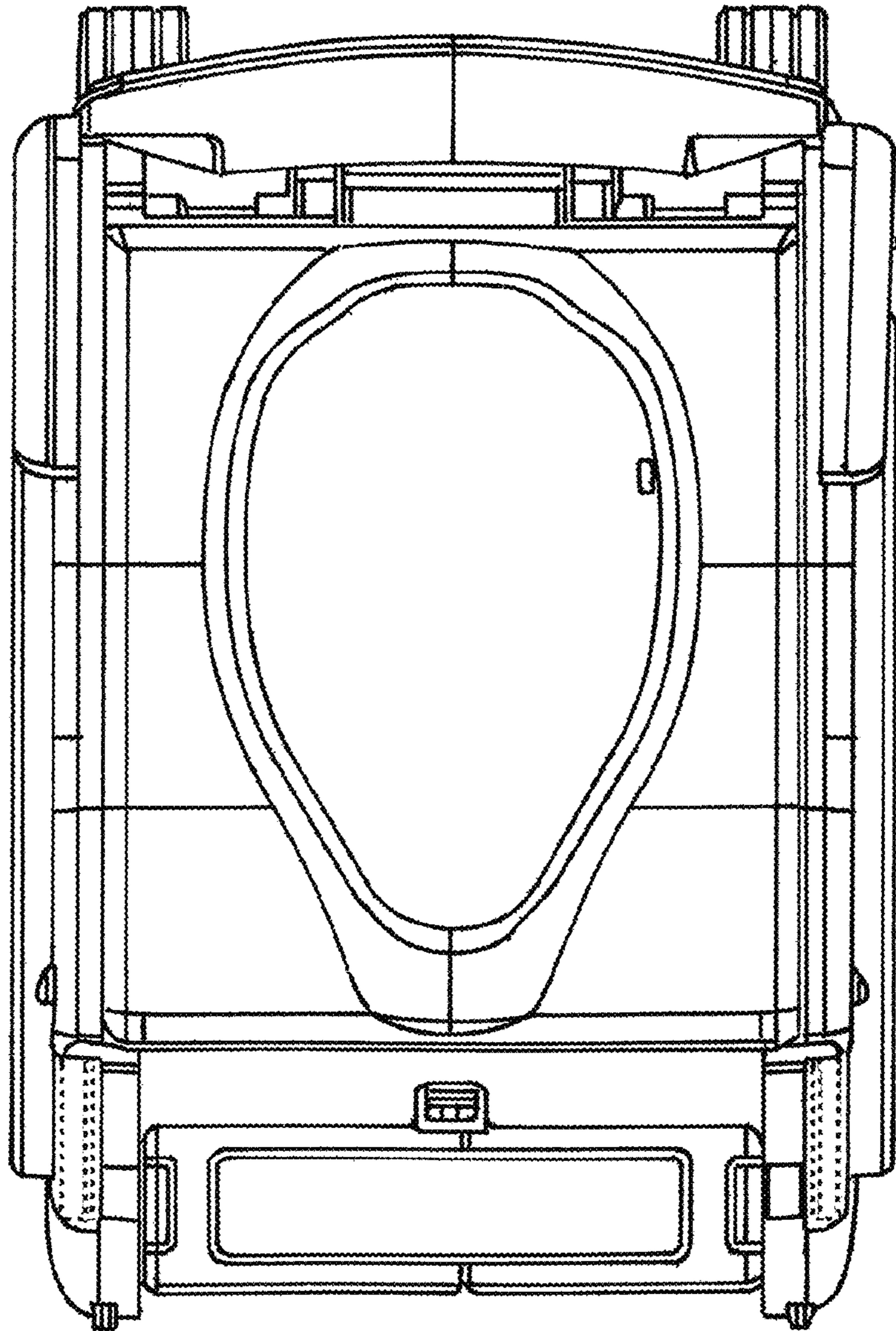


FIG. 5

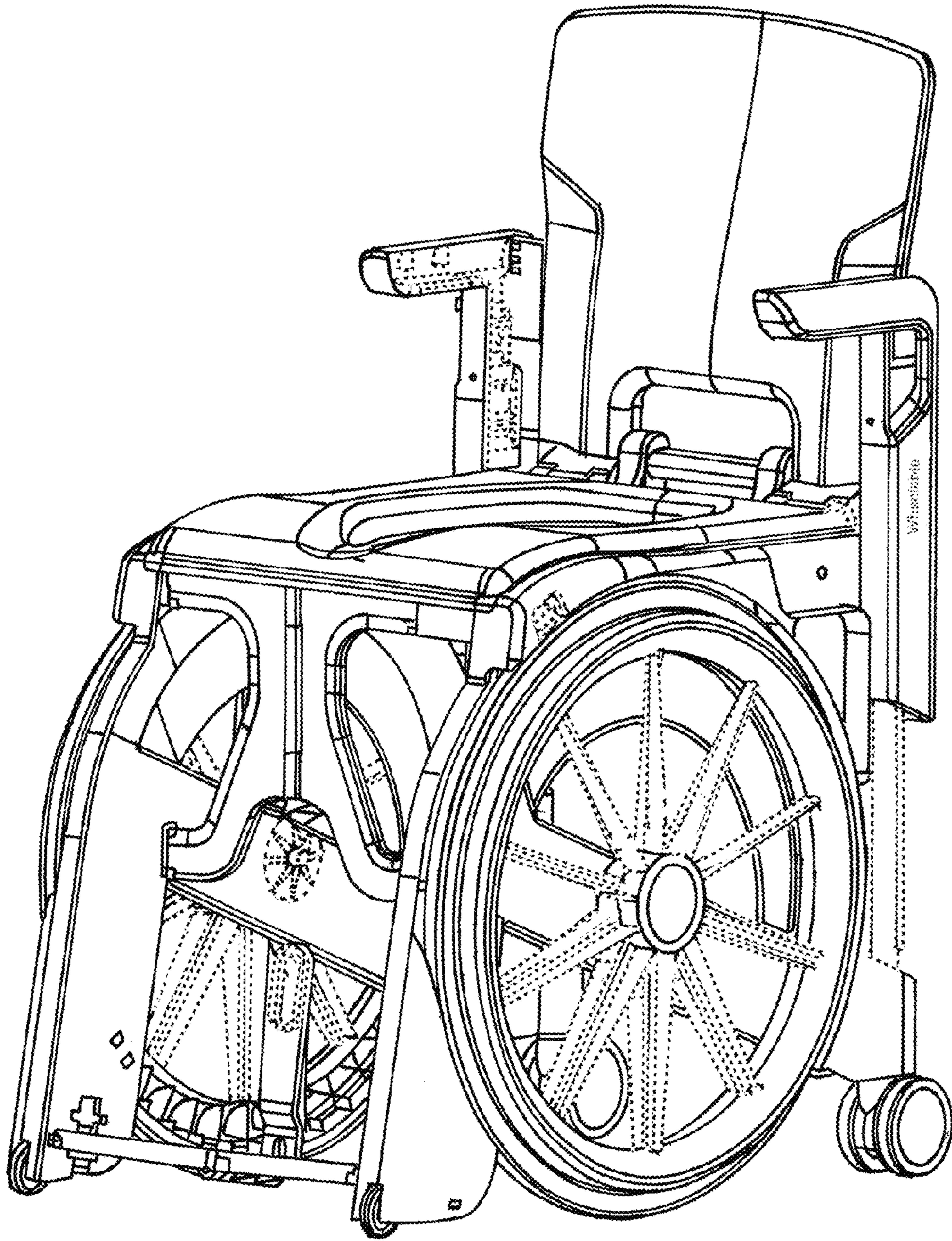


FIG. 6

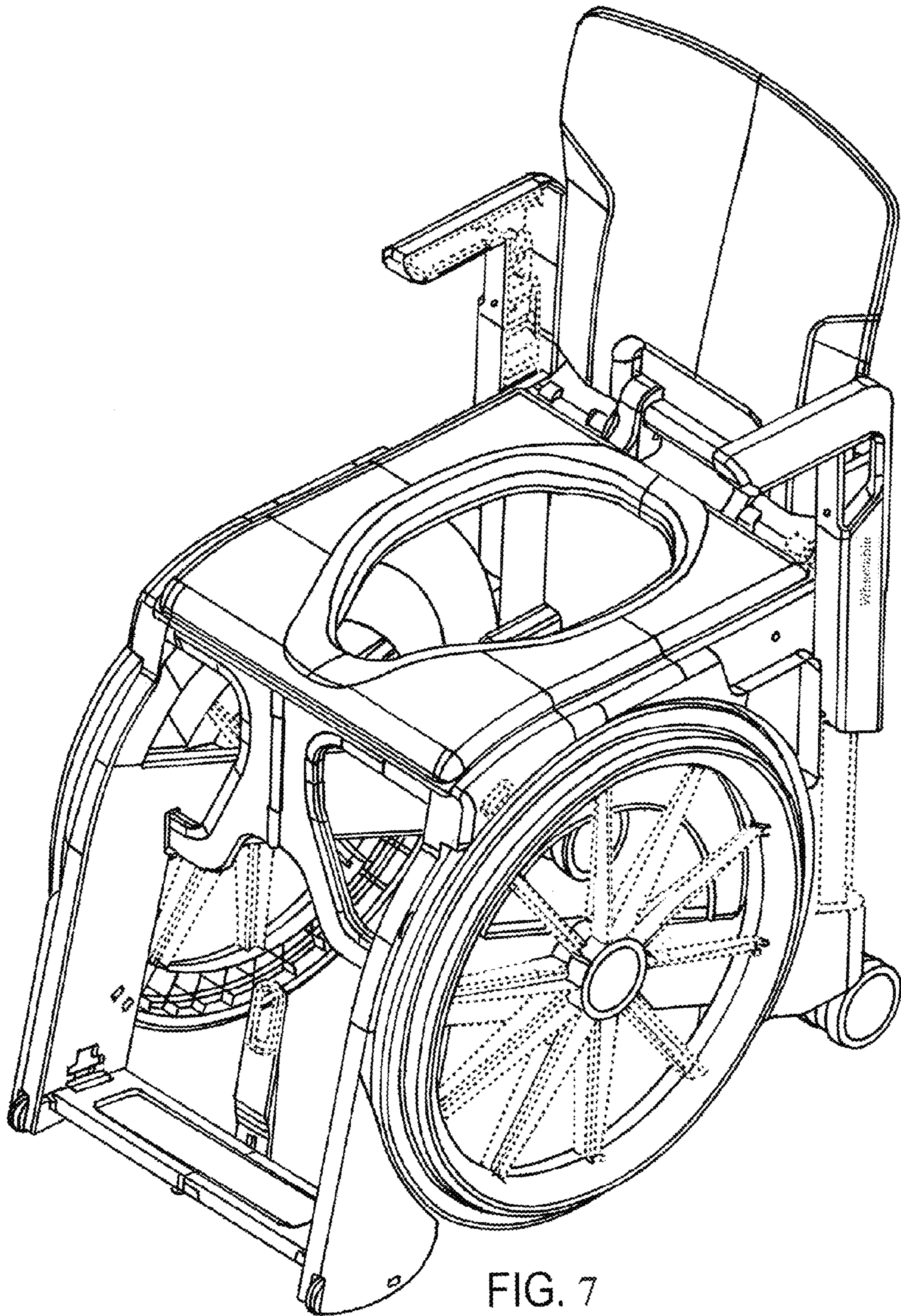


FIG. 7