



US00D770329S

(12) **United States Design Patent**
Ishida et al.

(10) **Patent No.:** **US D770,329 S**
(45) **Date of Patent:** **** Nov. 1, 2016**

(54) **MOTOR VEHICLE AND/OR TOY REPLICA THEREOF**

D691,921 S * 10/2013 Kasamatsu D12/86
D719,062 S * 12/2014 Wada D12/86
D729,121 S * 5/2015 Engler D12/86
D754,564 S * 4/2016 Bouzige D12/91

(71) Applicants: **Toshiharu Ishida**, Toyota (JP); **Kazuo Suyama**, Mitaka (JP); **Isao Sakata**, Fujimino (JP); **Takayoshi Mugikura**, Kuki (JP); **Hiroshi Sakagame**, Inagi (JP)

(72) Inventors: **Toshiharu Ishida**, Toyota (JP); **Kazuo Suyama**, Mitaka (JP); **Isao Sakata**, Fujimino (JP); **Takayoshi Mugikura**, Kuki (JP); **Hiroshi Sakagame**, Inagi (JP)

(73) Assignee: **Toyota Jidosha Kabushiki Kaisha** (JP)

(**) Term: **15 Years**

(21) Appl. No.: **29/531,527**

(22) Filed: **Jun. 26, 2015**

(51) **LOC (10) Cl.** **12-08**

(52) **U.S. Cl.**
USPC **D12/86**

(58) **Field of Classification Search**
USPC D12/86, 90-92, 88; D21/421, 433, 434;
296/181.1, 181.5
CPC B62D 35/00; B62D 25/00; B62D 25/06;
B62D 33/00
See application file for complete search history.

(56) **References Cited**

U.S. PATENT DOCUMENTS

D614,083 S * 4/2010 Wainfan D12/86
D651,132 S * 12/2011 Lambri D12/86

OTHER PUBLICATIONS

Lotus Cars, Lotus Seven, Wikipedia, <https://en.wikipedia.org/wiki/Lotus_Seven> available at least as early as Mar. 16, 2015.

* cited by examiner

Primary Examiner — Melody N Brown
(74) *Attorney, Agent, or Firm* — Saidman DesignLaw Group, LLC

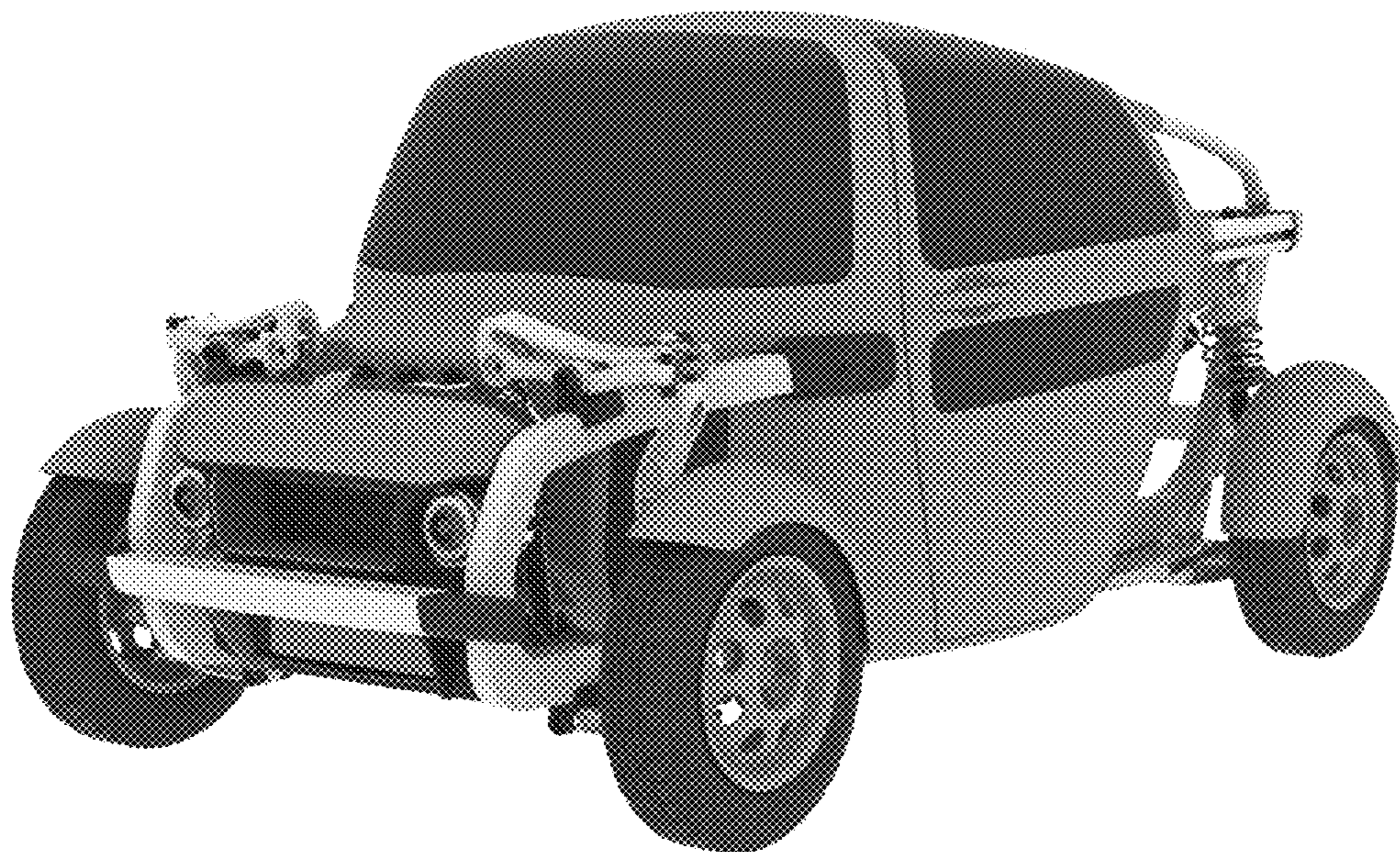
(57) **CLAIM**

The ornamental design for a motor vehicle and/or toy replica thereof, as shown and described.

DESCRIPTION

FIG. 1 is a front perspective view of a motor vehicle and/or toy replica thereof showing our new design;
FIG. 2 is a rear perspective view thereof;
FIG. 3 is a front view thereof;
FIG. 4 is a rear view thereof;
FIG. 5 is a top view thereof;
FIG. 6 is a left side view thereof; and,
FIG. 7 is a right side view thereof.
The shading represents contour, not any particular color.

1 Claim, 4 Drawing Sheets



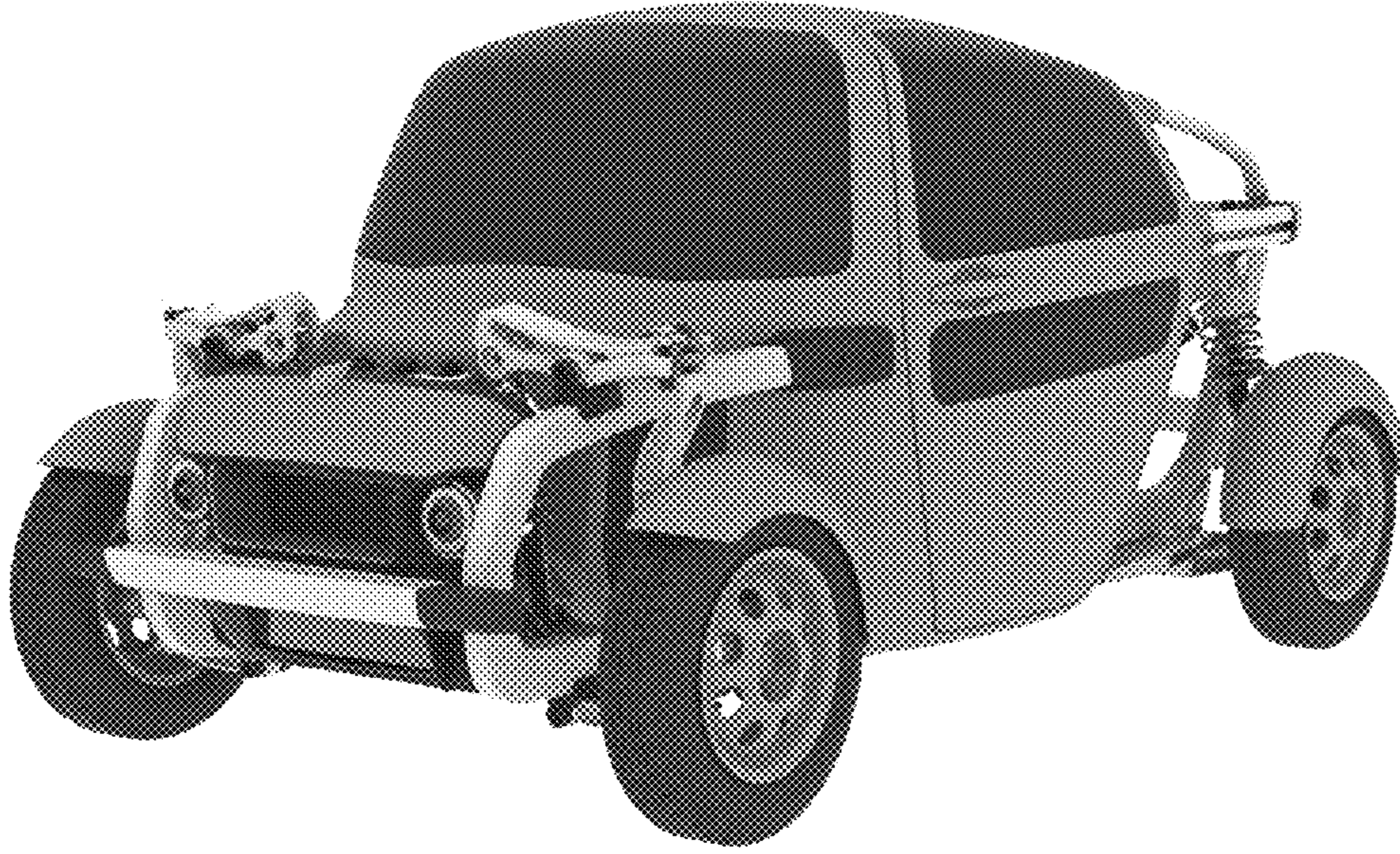


FIG. 1

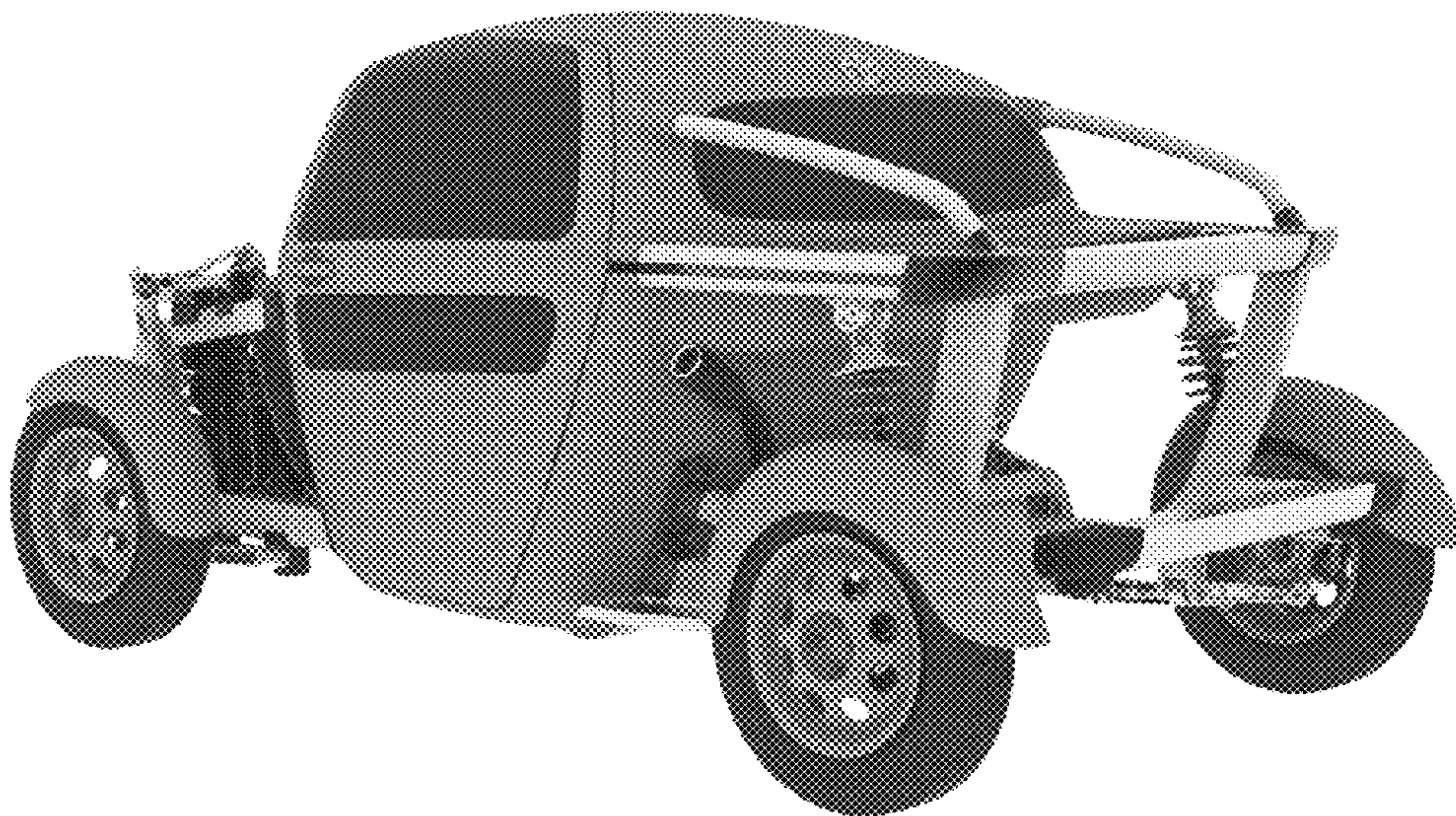


FIG. 2

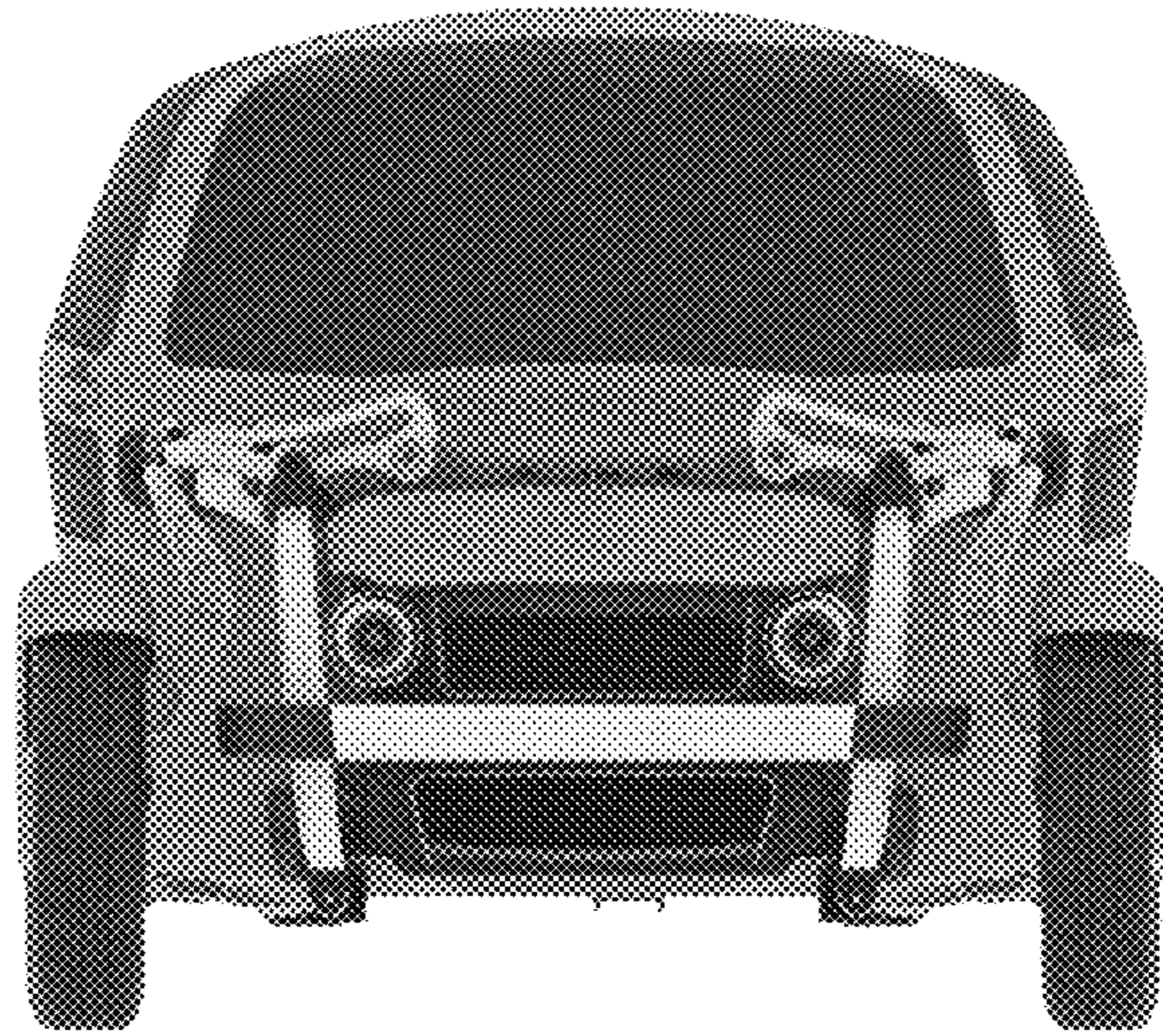


FIG. 3

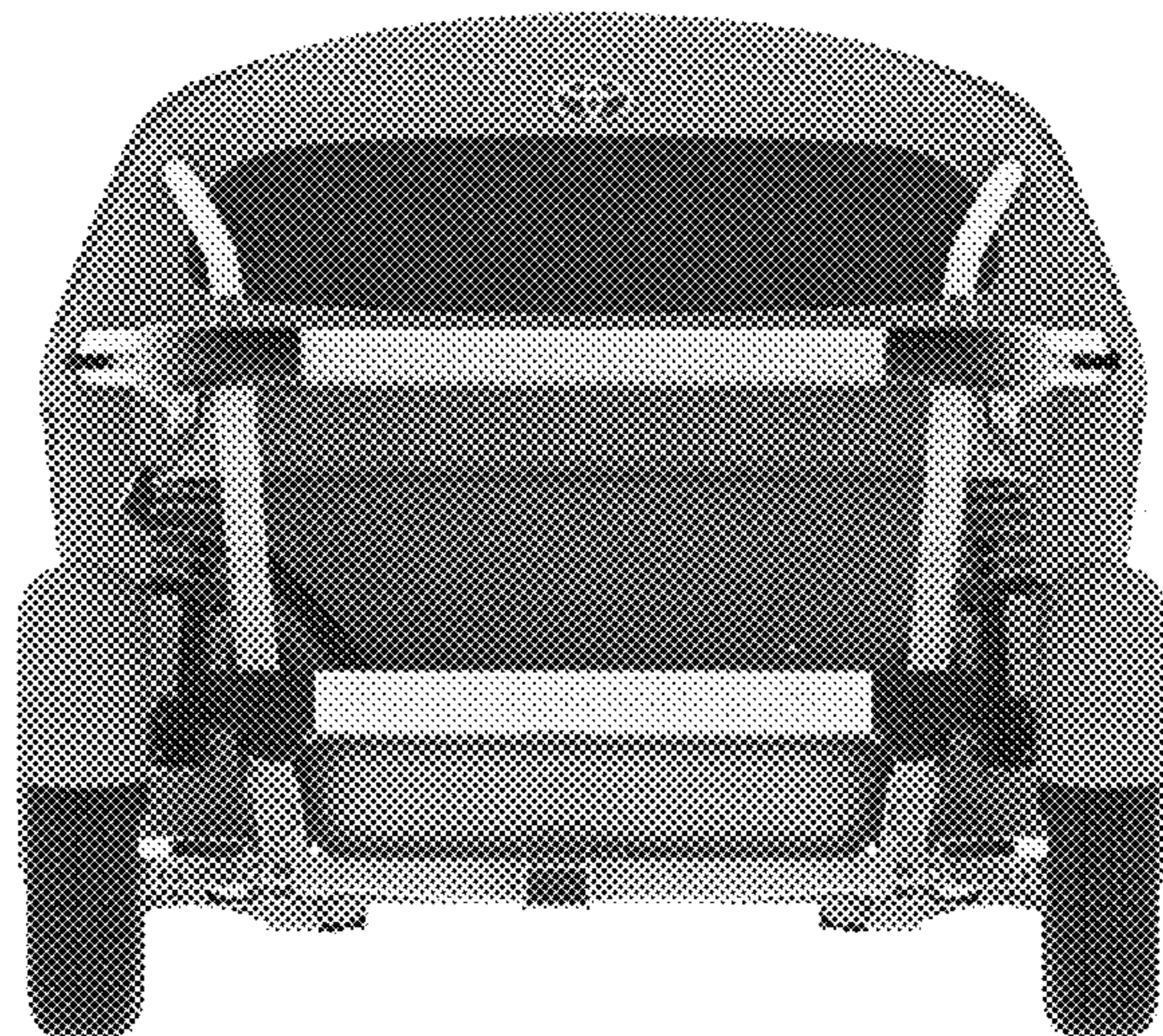


FIG. 4



FIG. 5

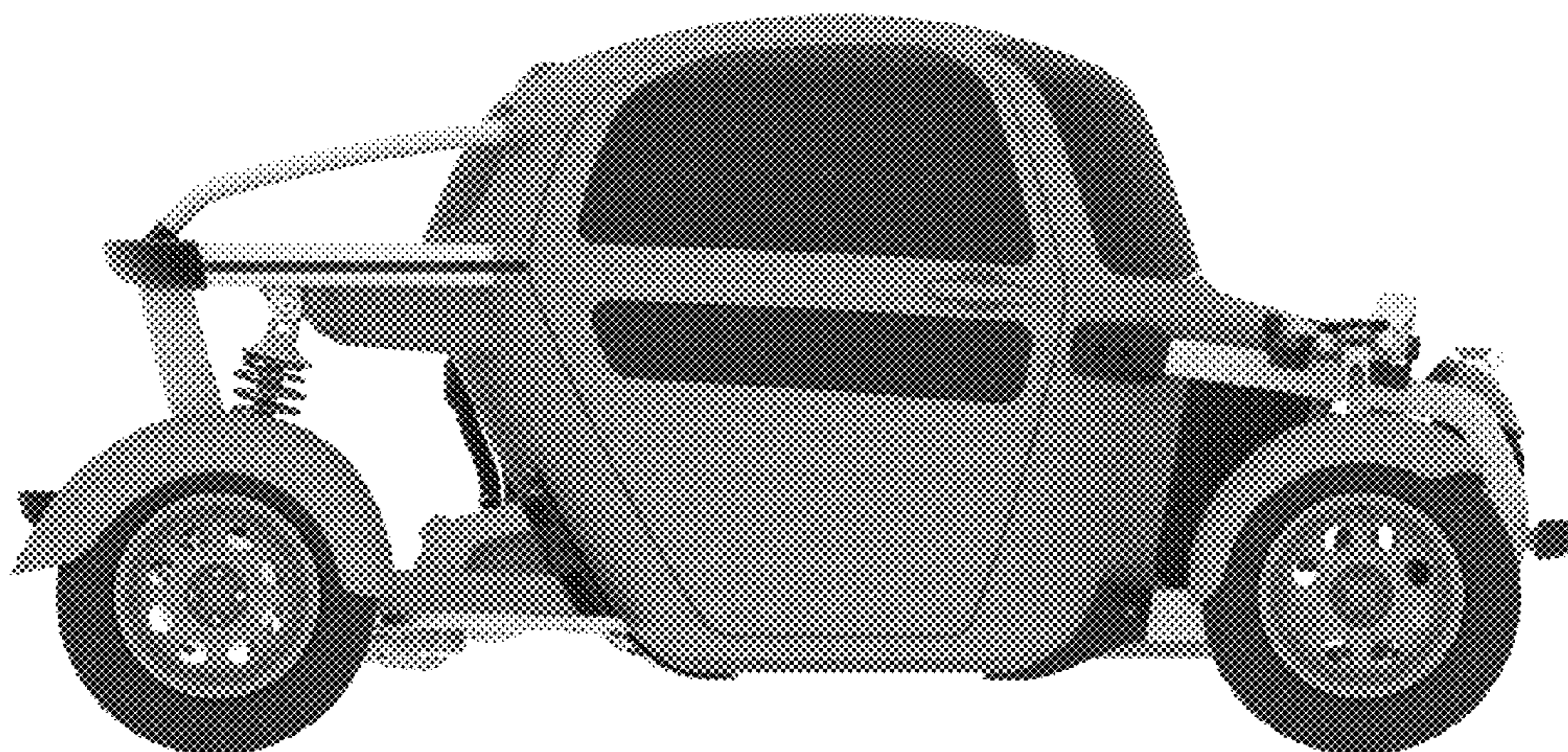


FIG. 6

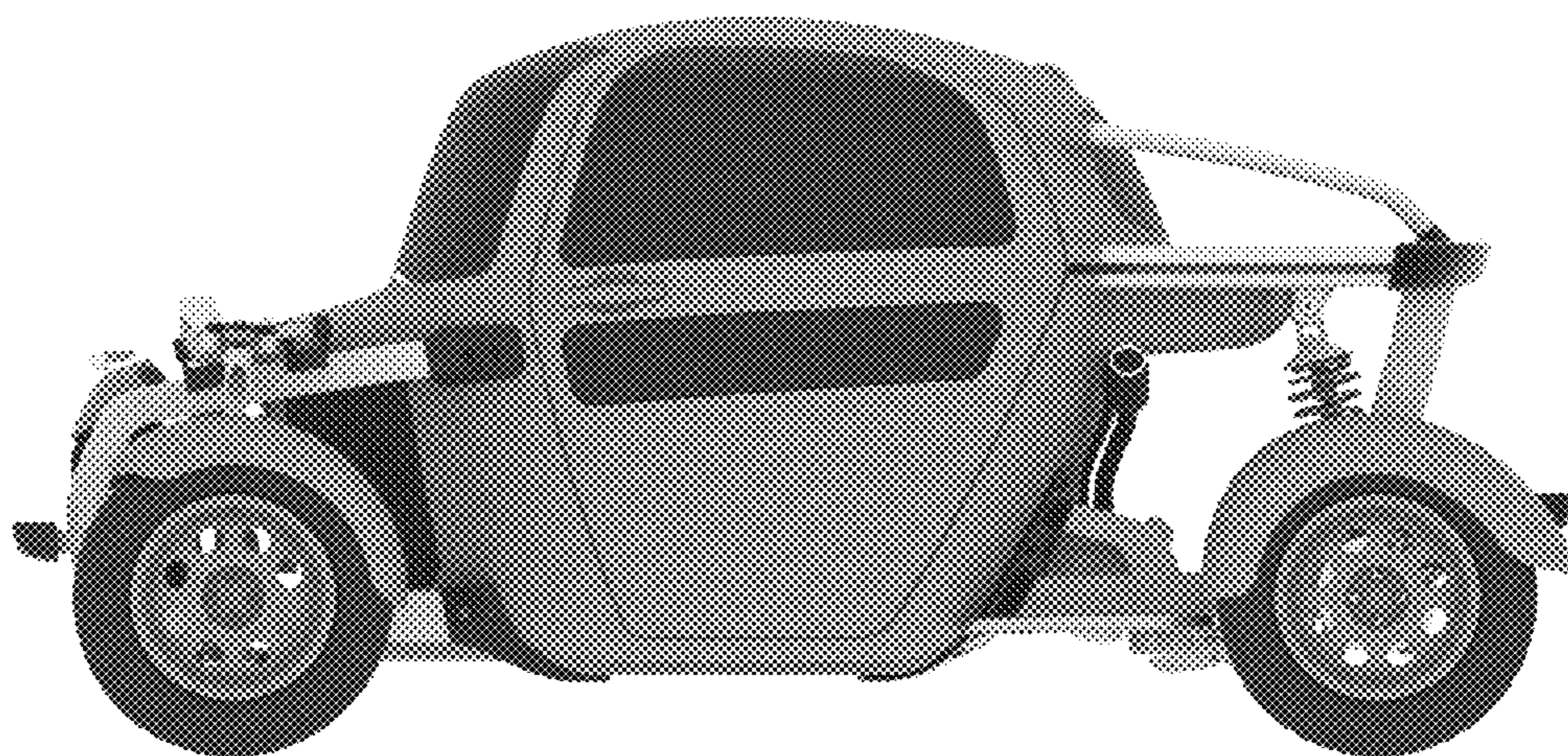


FIG. 7