



US00D770323S

(12) **United States Design Patent** (10) **Patent No.:** **US D770,323 S**
Mizutani (45) **Date of Patent:** **** Nov. 1, 2016**

- (54) **ARTICLE OF JEWELRY**
- (71) Applicant: **Yoko Mizutani**, Osaka (JP)
- (72) Inventor: **Yoko Mizutani**, Osaka (JP)
- (**) Term: **14 Years**
- (21) Appl. No.: **29/518,374**
- (22) Filed: **Feb. 23, 2015**
- (30) **Foreign Application Priority Data**

- D411,813 S * 7/1999 Visser D11/13
- D418,078 S * 12/1999 Pasquetti D11/29
- D469,713 S * 2/2003 Fornas D11/37
- D476,591 S * 7/2003 Klein D11/13
- D589,391 S * 3/2009 Sandberg D11/40
- D614,073 S * 4/2010 Cabarbaye D11/1
- D628,116 S * 11/2010 Marks D11/56
- D656,858 S * 4/2012 Mouawad D11/1
- D657,707 S * 4/2012 Koutsolioutsos D11/14
- D658,083 S * 4/2012 Ghirardi D11/1
- D680,022 S * 4/2013 Parvex D11/34
- D718,168 S * 11/2014 Wempe D11/1
- D729,103 S * 5/2015 Kwon D11/7
- D729,104 S * 5/2015 Kwon D11/7
- D732,996 S * 6/2015 Samanta D11/56

- Aug. 25, 2014 (JP) 2014-018390
- (51) **LOC (10) Cl.** **11-01**
- (52) **U.S. Cl.**
USPC **D11/16; D11/83**
- (58) **Field of Classification Search**
USPC D11/1-47, 75-83, 85, 86, 93, 94;
D30/152-153; D28/41
CPC A44C 5/00; A44C 5/0007; A44C 5/0015;
A44C 5/0023; A44C 5/003; A44C 5/0053;
A44C 5/0061; A44C 5/0069; A44C 5/0076;
A44C 5/0084; A44C 5/0092; A44C 5/02;
A44C 5/022; A44C 5/025; A44C 5/027;
A44C 5/04; A44C 5/08; A44C 5/10; A44C
5/102; A44C 5/105; A44C 5/107; A44C
11/002; A44C 11/00; A44C 7/00; A44C
7/002; A44C 7/003
See application file for complete search history.

* cited by examiner

Primary Examiner — Cynthia Ramirez
Assistant Examiner — Llorellys Martinez-Rivera
(74) *Attorney, Agent, or Firm* — Knobbe Martens Olson & Bear LLP

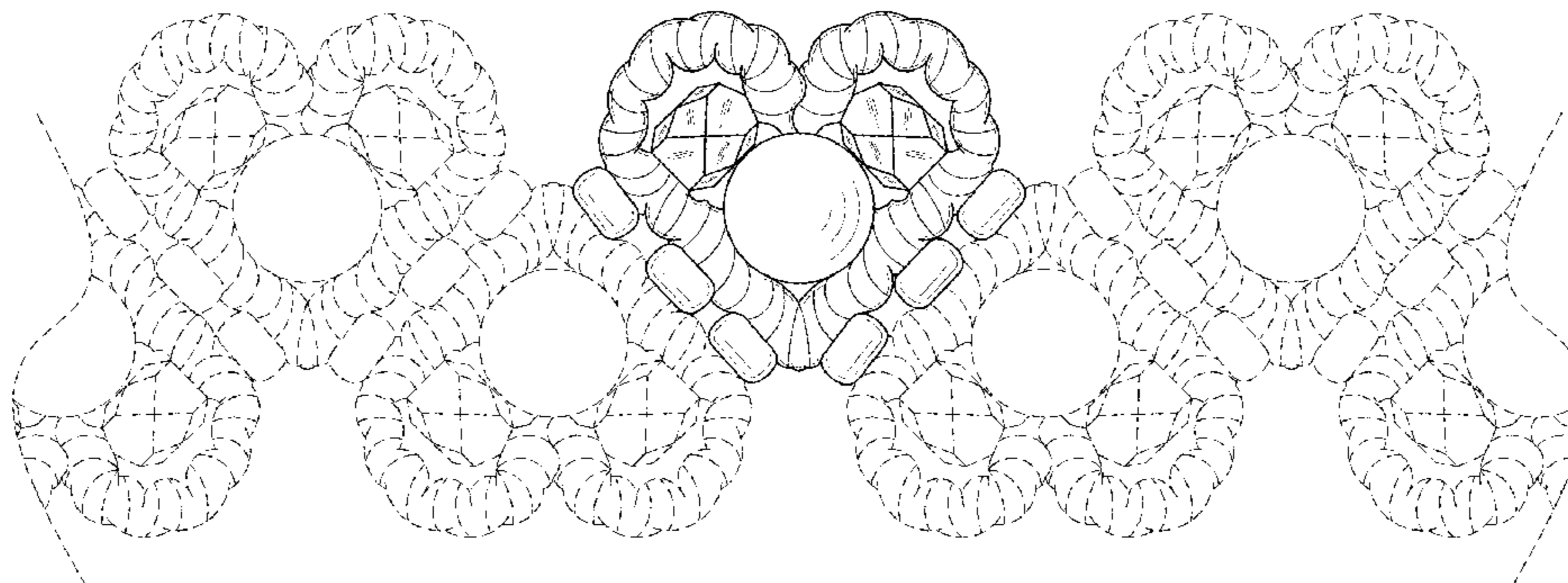
(57) **CLAIM**
The ornamental design for an article of jewelry, as shown and described.

DESCRIPTION

FIG. 1 is a front elevation view of an article of jewelry showing my new design in an environment of use.
FIG. 2 is an enlarged front elevational view thereof.
FIG. 3 is an enlarged rear elevational view thereof.
FIG. 4 is a top plan view thereof.
FIG. 5 is a bottom plan view thereof.
FIG. 6 is a right side elevation view thereof, the left side elevation view being identical thereto.
FIG. 7 is another front elevation view thereof, showing the article of jewelry in an environment of use; and,
FIG. 8 is another front elevation view thereof, showing the article of jewelry in an environment of use.
The broken lines in FIGS. 1, 7 and 8 illustrate environmental subject matter only and form no part of the claimed design.

1 Claim, 5 Drawing Sheets

- (56) **References Cited**
U.S. PATENT DOCUMENTS
245,594 A * 8/1881 Whitney A44C 5/107
D11/13
1,484,596 A * 2/1924 Waters B60C 27/08
D11/14
D154,046 S * 6/1949 Katz D11/9
D166,343 S * 4/1952 Philippe D11/10
D177,846 S * 5/1956 Katz D11/75
D239,854 S * 5/1976 Kronewitter D11/6



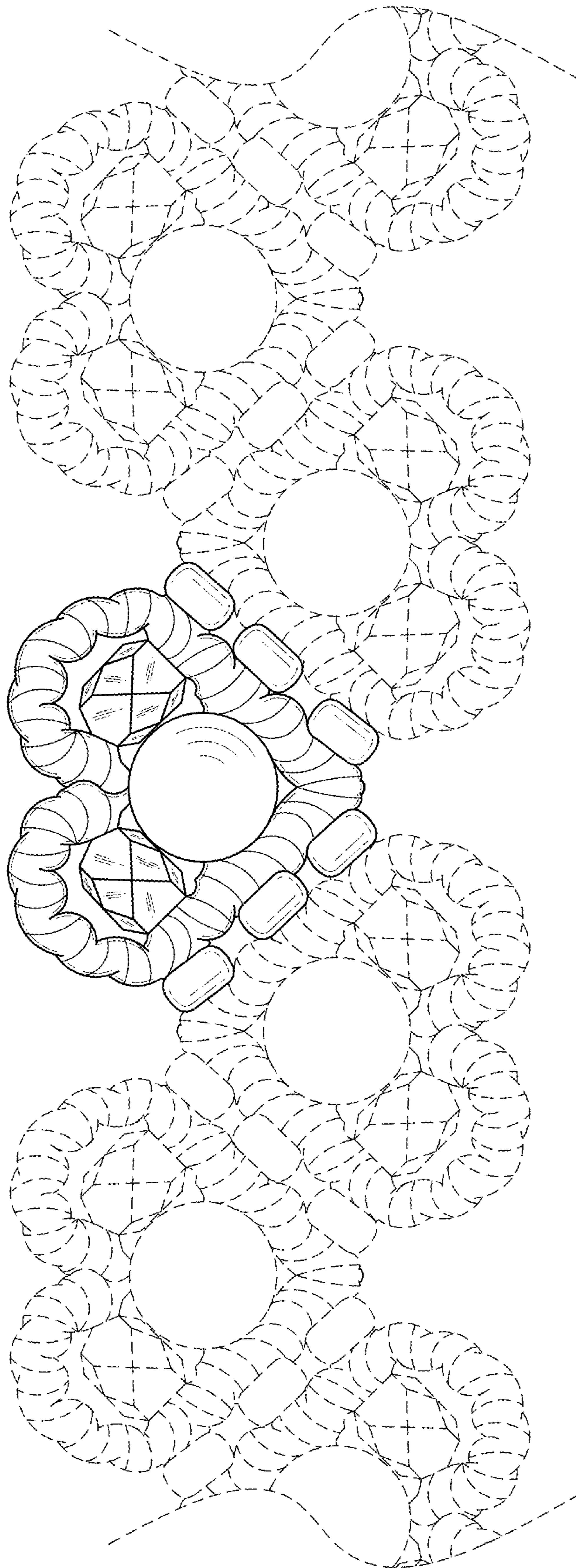


FIG. 1

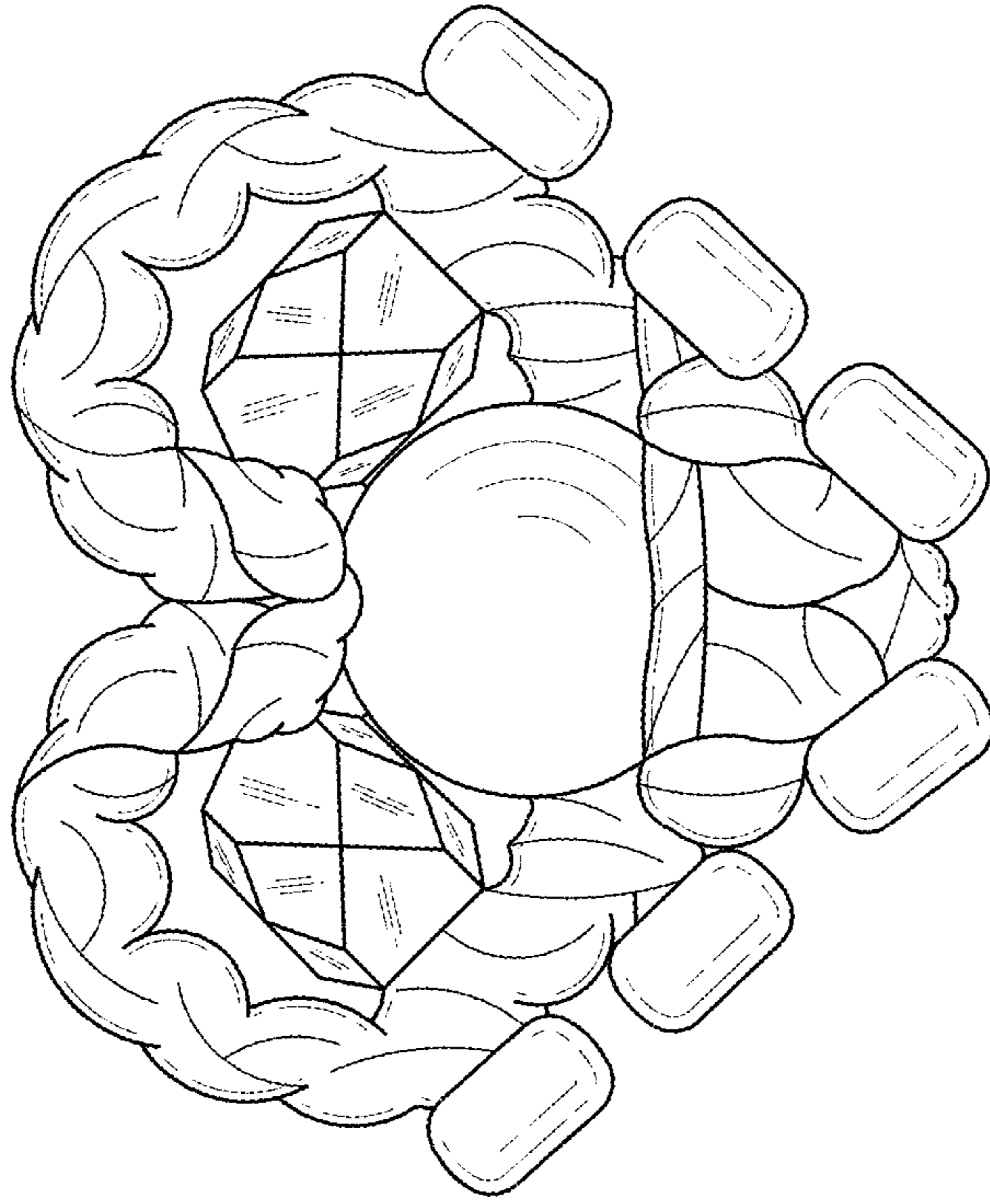


FIG. 3

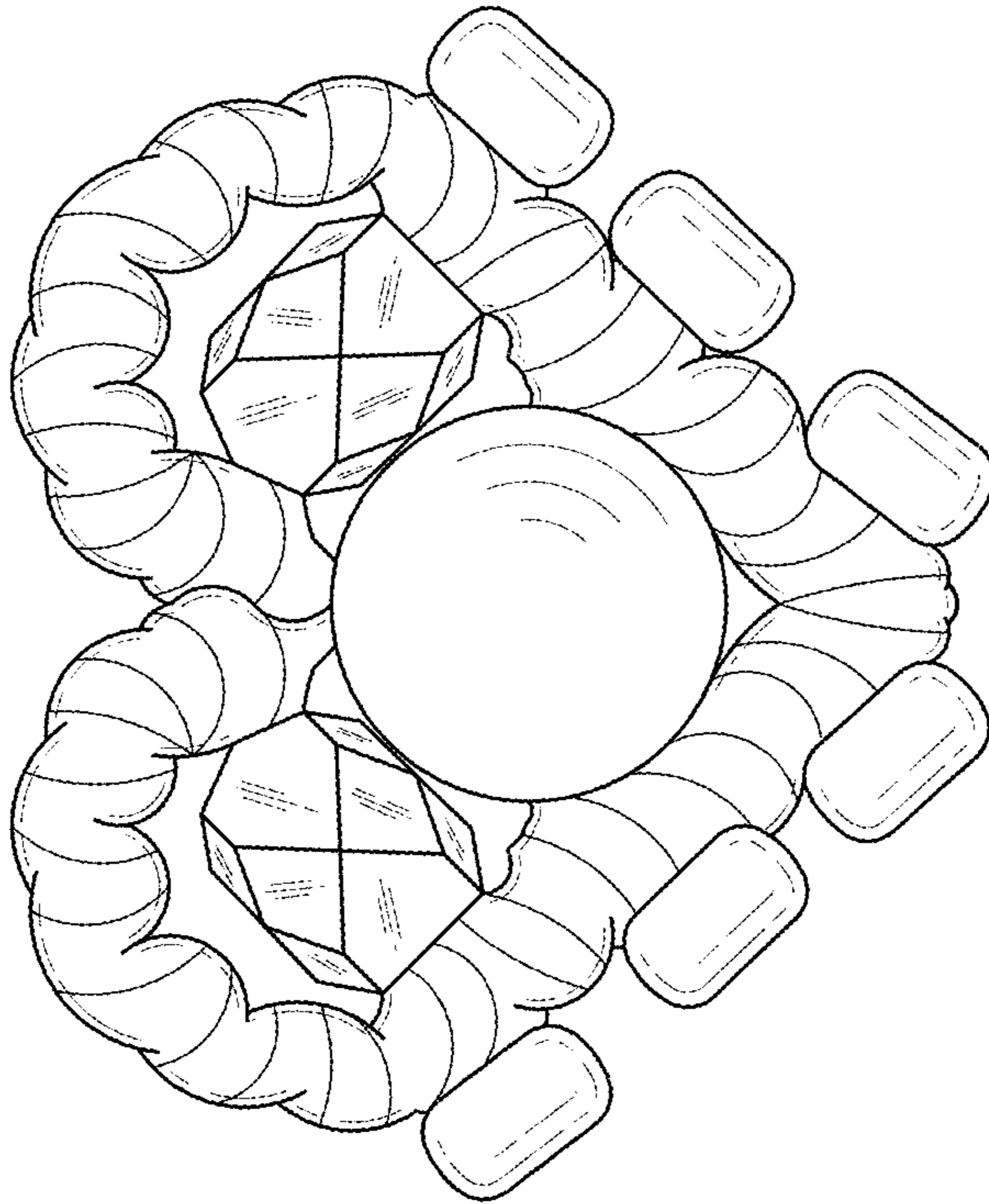


FIG. 2

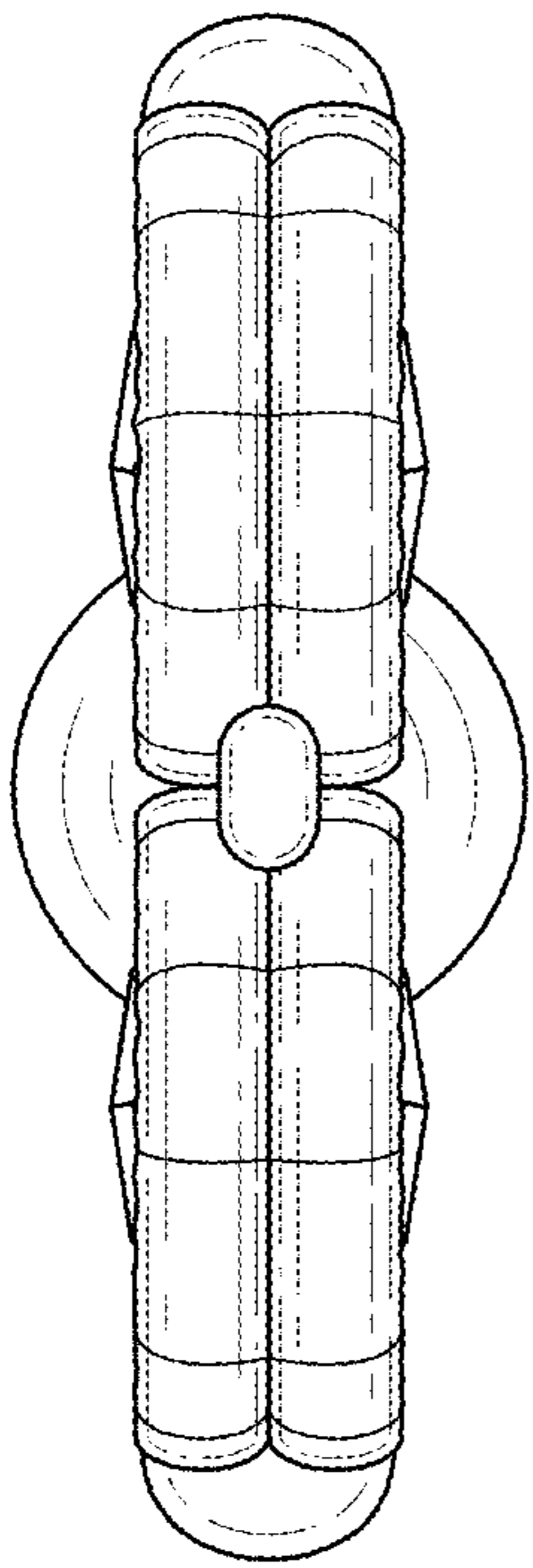


FIG. 4

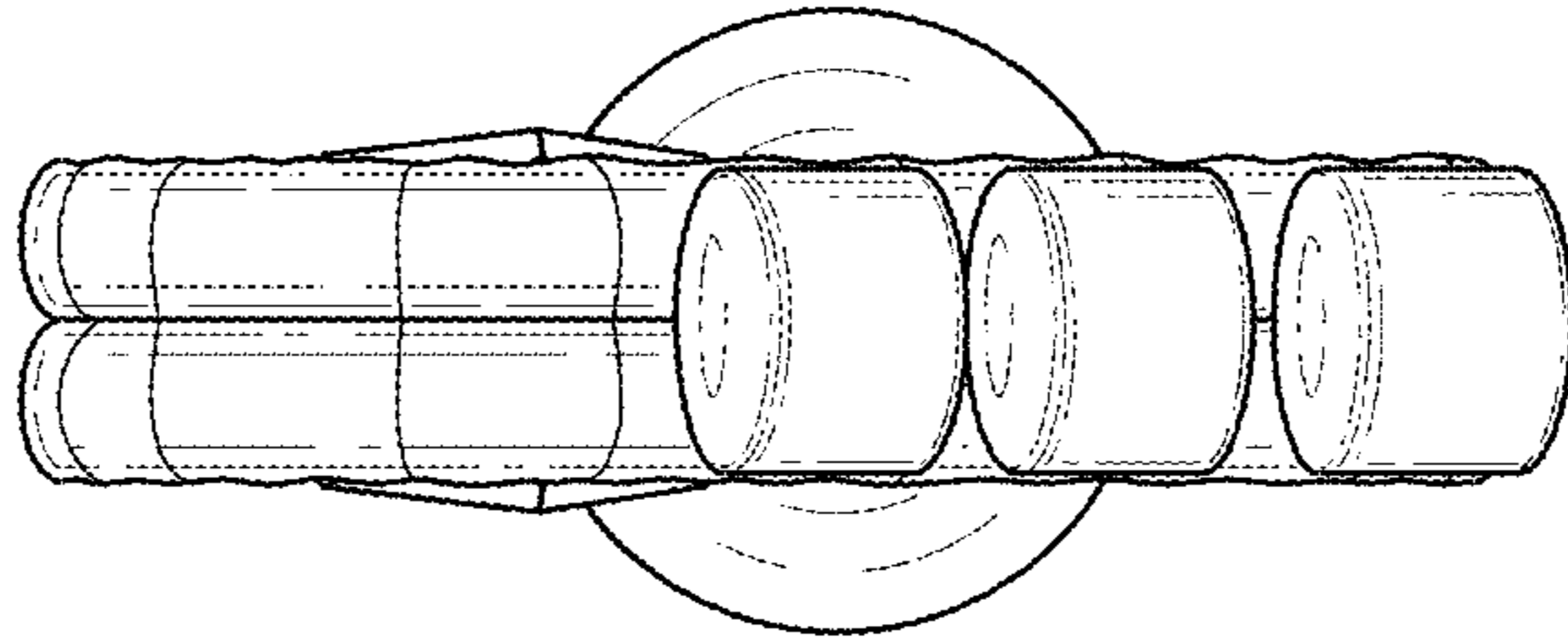


FIG. 6

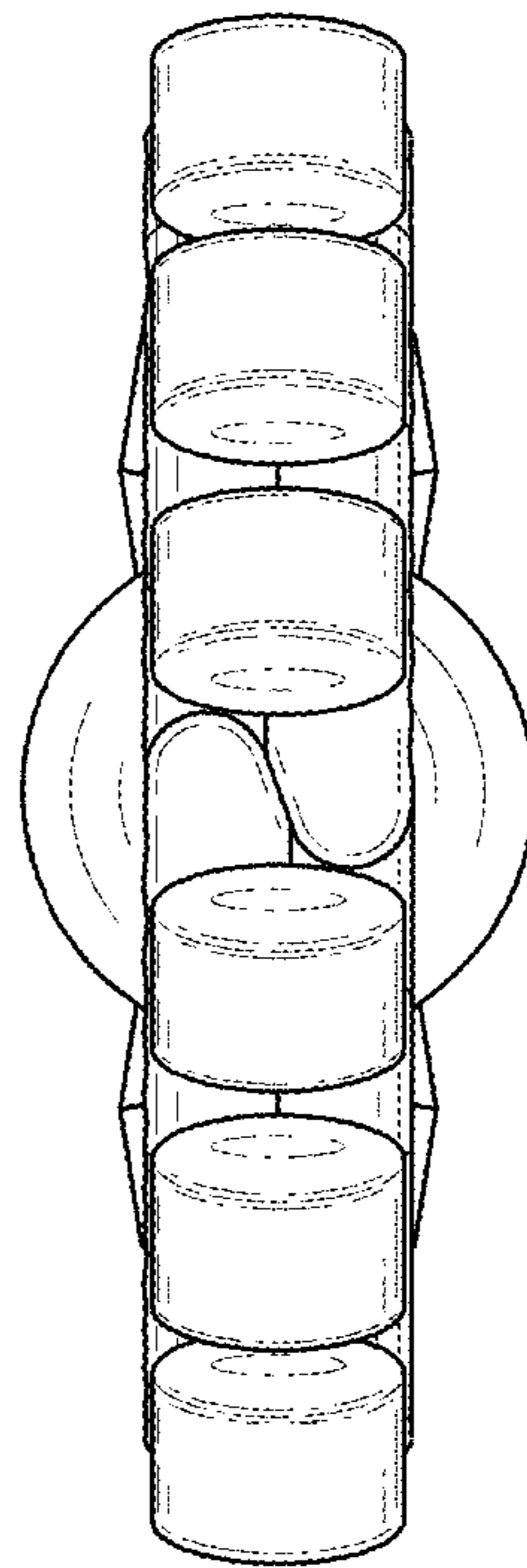


FIG. 5

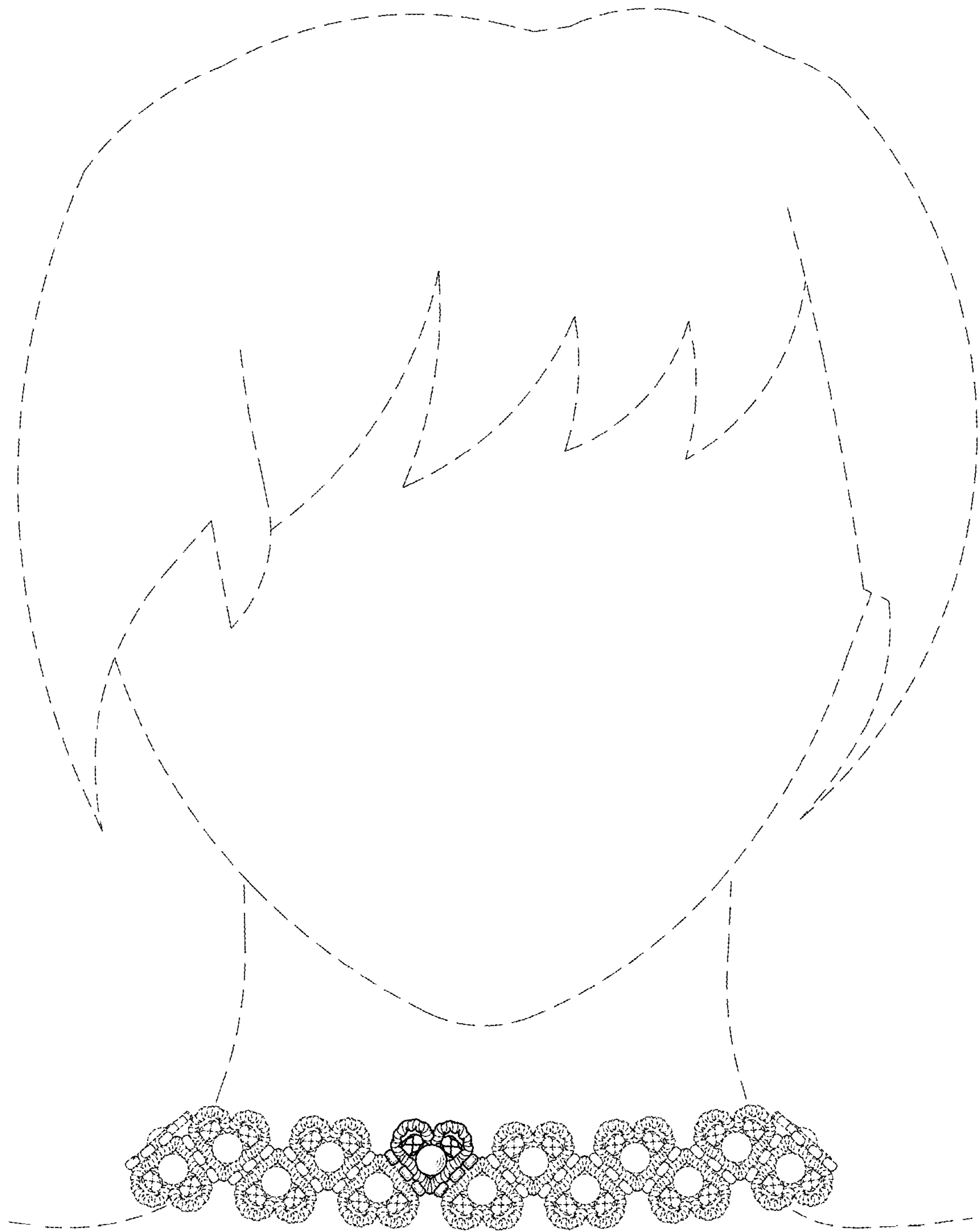


FIG. 7

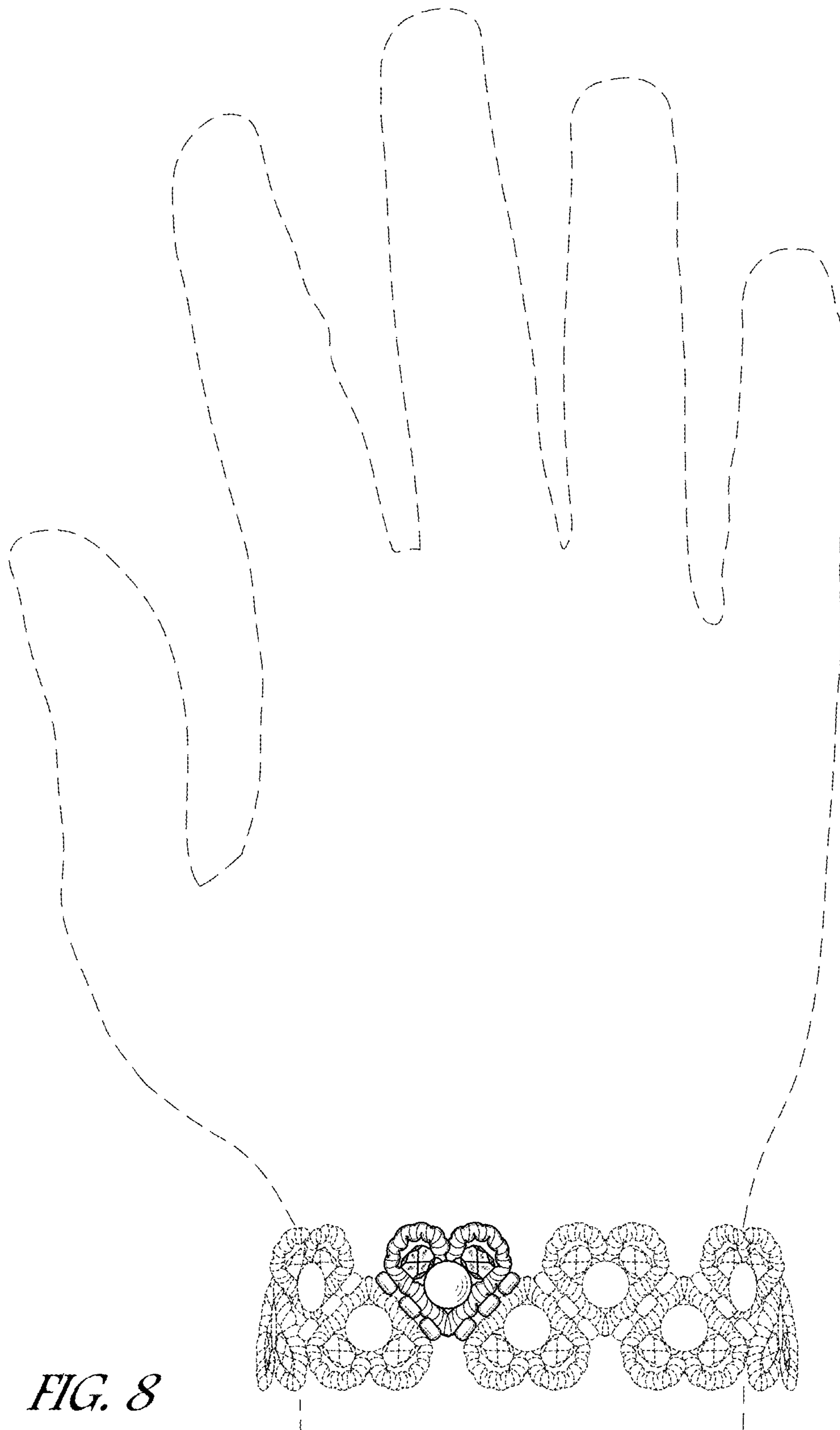


FIG. 8