



US00D770322S

(12) **United States Design Patent** (10) **Patent No.:** **US D770,322 S**  
**Ban** (45) **Date of Patent:** **\*\* Nov. 1, 2016**

(54) **JEWELRY ITEM**

(71) Applicant: **Lynn Ban**, New York, NY (US)

(72) Inventor: **Lynn Ban**, New York, NY (US)

(\*\*) Term: **14 Years**

(21) Appl. No.: **29/514,429**

(22) Filed: **Jan. 13, 2015**

(51) **LOC (10) Cl.** ..... **11-01**

(52) **U.S. Cl.**  
USPC ..... **D11/4; D11/13**

(58) **Field of Classification Search**  
USPC ..... D26/1-47, 75-83, 85, 86, 93, 94  
CPC .... A44C 5/00; A44C 5/0007; A44C 5/0015;  
A44C 5/0023; A44C 5/003; A44C 5/0053;  
A44C 5/0061; A44C 5/0069; A44C 5/0076;  
A44C 5/0084; A44C 5/0092; A44C 5/02;  
A44C 5/022; A44C 5/025; A44C 5/027;  
A44C 5/04; A44C 5/08; A44C 5/10; A44C  
5/102; A44C 5/105; A44C 5/107; A44C  
11/002; A44C 11/00; A44C 13/00; A44C  
7/00; A44C 7/002; A44C 7/003  
See application file for complete search history.

(56) **References Cited**

**U.S. PATENT DOCUMENTS**

D59,236 S	*	10/1921	Winsen	.....	D11/38
D59,314 S	*	10/1921	Lapidus	.....	D11/38
D61,982 S	*	2/1923	Lapidus	.....	63/3
D273,261 S	*	4/1984	Sun	.....	D11/38
D301,315 S	*	5/1989	Yoshida	.....	D11/75
D301,564 S	*	6/1989	Gatsos	.....	D11/43
D646,192 S	*	10/2011	Woode	.....	D11/3
D654,622 S	*	2/2012	Hsu	.....	D28/41
D705,692 S	*	5/2014	Mello	.....	D11/38

(Continued)

**OTHER PUBLICATIONS**

Antique Georgian 14 Kt Gold Emerald Diamonds Convertible Ring Bracelet, Pinterest.com, earliest date available year 2014, online. Visited Jun. 9, 2016. Internet URL:<"https://www.pinterest.com/pin/314407617706796893/"> IMG SRC:<"https://s-media-cache-ak0.pinimg.com/564x/25/8f/a0/258fa0092c3661befef2ff3907cbf12b.jpg">.\*

(Continued)

*Primary Examiner* — Cynthia Ramirez

*Assistant Examiner* — Llorellys Martinez-Rivera

(74) *Attorney, Agent, or Firm* — Charles Weigell, Esq.;  
Fross Zelnick Lehrman & Zissu, P.C.

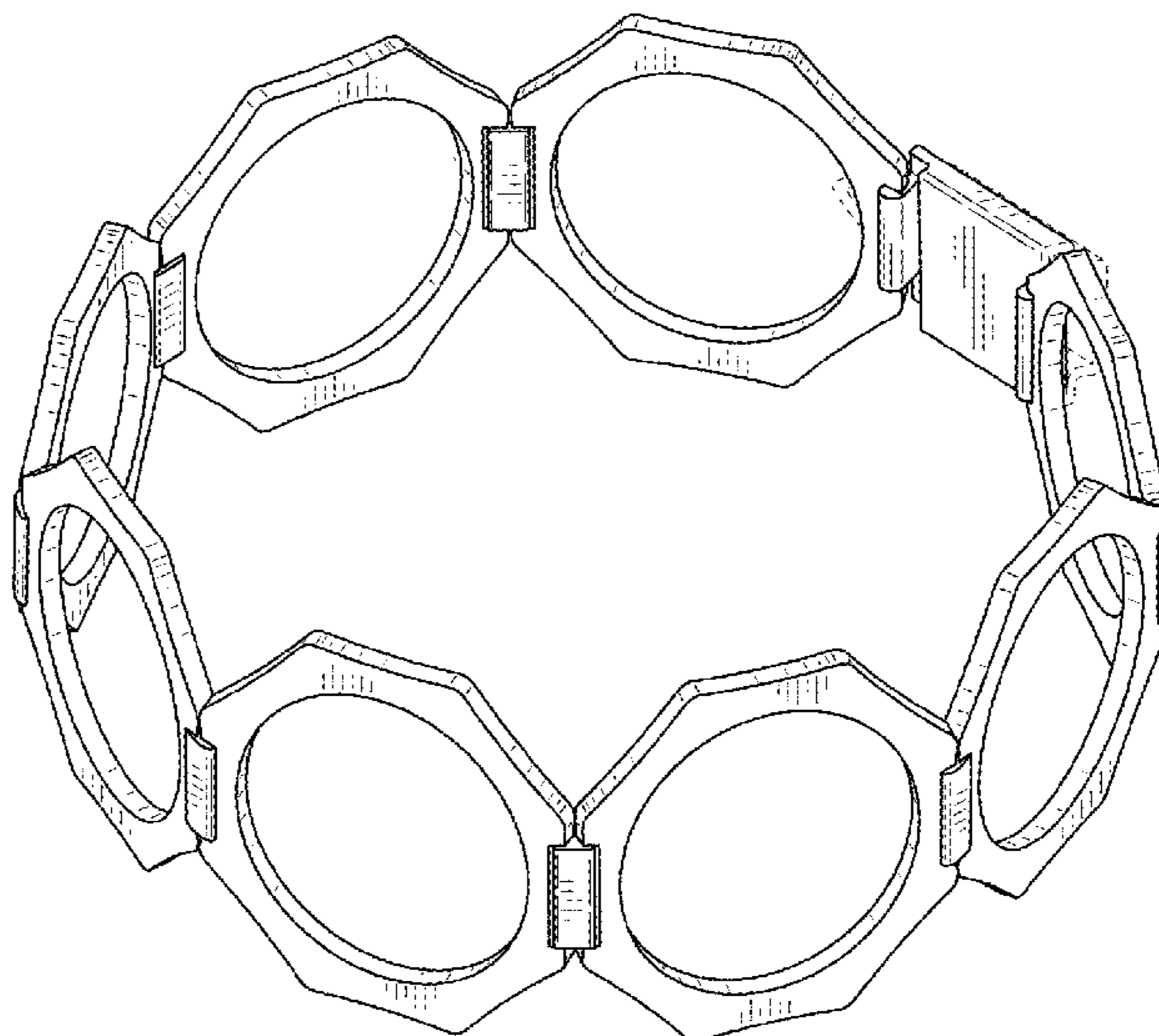
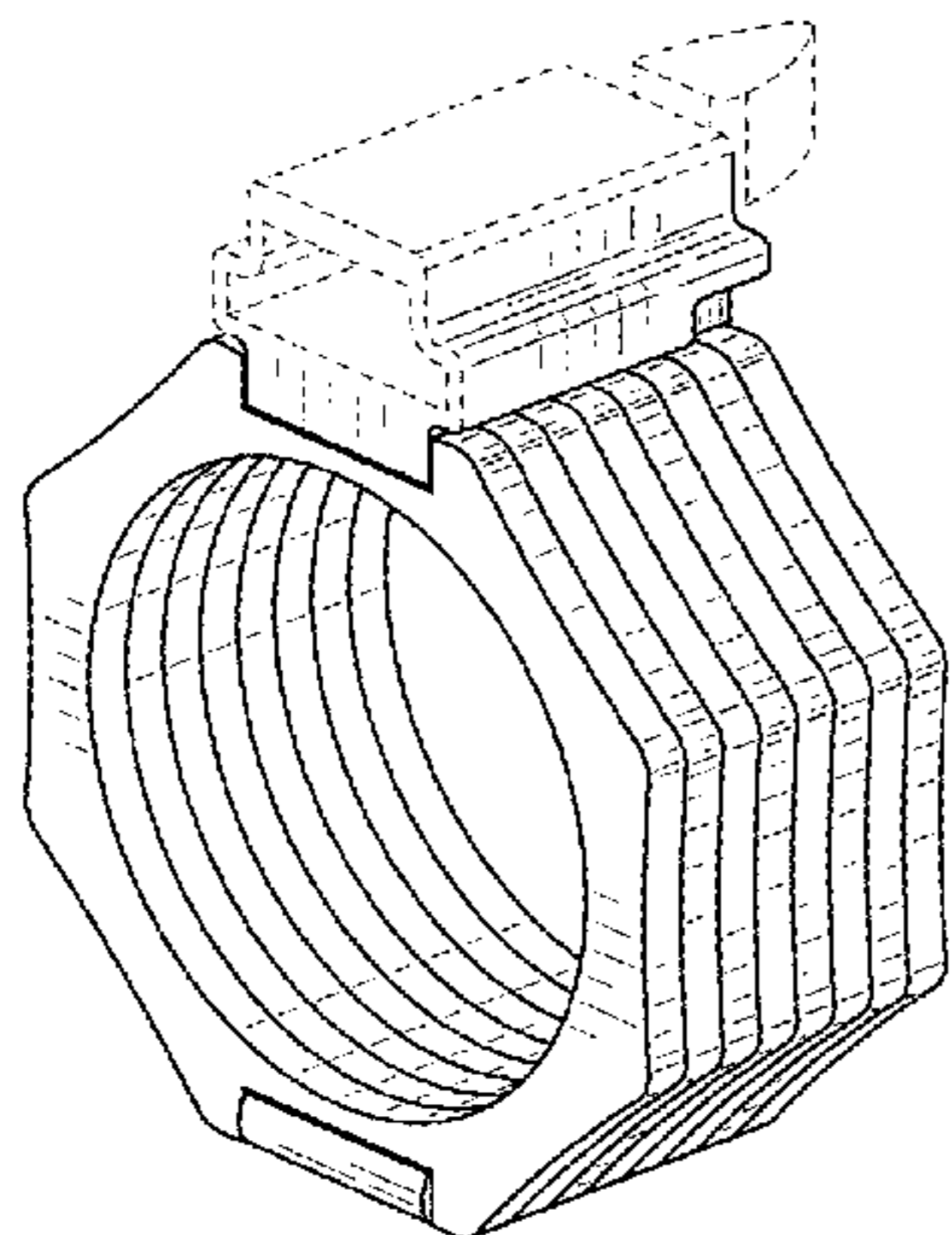
(57) **CLAIM**

The ornamental design for a jewelry item, as shown and described.

**DESCRIPTION**

FIG. 1 is a front perspective view of a jewelry item showing a new design;  
FIG. 2 is a front view thereof;  
FIG. 3 is a rear view thereof;  
FIG. 4 is a right side view thereof;  
FIG. 5 is a left side view thereof;  
FIG. 6 is a top view thereof; and  
FIG. 7 is a bottom view thereof.  
FIG. 8 is a front perspective view thereof, showing the jewelry item of FIG. 1 in an open configuration.  
FIG. 9 is a front view thereof;  
FIG. 10 is a rear view thereof;  
FIG. 11 is a right side view thereof;  
FIG. 12 is a left side view thereof;  
FIG. 13 is a top view thereof; and,  
FIG. 14 is a bottom view thereof.  
The broken line showing of the top of the clasp housing and clasp are meant to illustrate the environment and forms no part of the claimed design.

**1 Claim, 6 Drawing Sheets**



(56)

References Cited

U.S. PATENT DOCUMENTS

D717,685 S \* 11/2014 Bailey ..... D11/3  
D742,273 S \* 11/2015 Liberman ..... D11/4  
D742,274 S \* 11/2015 Liberman ..... D11/4  
D756,359 S \* 5/2016 Bailey ..... D11/19  
2006/0037359 A1\* 2/2006 Stinespring ..... A41F 15/002  
63/3.1  
2015/0143846 A1\* 5/2015 Liberman ..... A44C 5/0084  
63/3  
2015/0234426 A1\* 8/2015 Bailey ..... G06F 1/163  
361/679.03

OTHER PUBLICATIONS

Art Deco Sterling Silver & Chrysoprase Convertible Ring/Bracelet,  
Ebay listing, earliest date available circa 1925, online. Visited Jun.  
9, 2016. Internet URL:<“<http://www.ebay.com/itm/VERY-RARE-Art-Deco-Sterling-Silver-Chrysoprase-Convertible-Ring-Bracelet-Sz-5-/221704902951>”>.\*  
Flower bracelet and ring—photograph.  
Ring—photograph.  
Bracelet—photograph.

\* cited by examiner

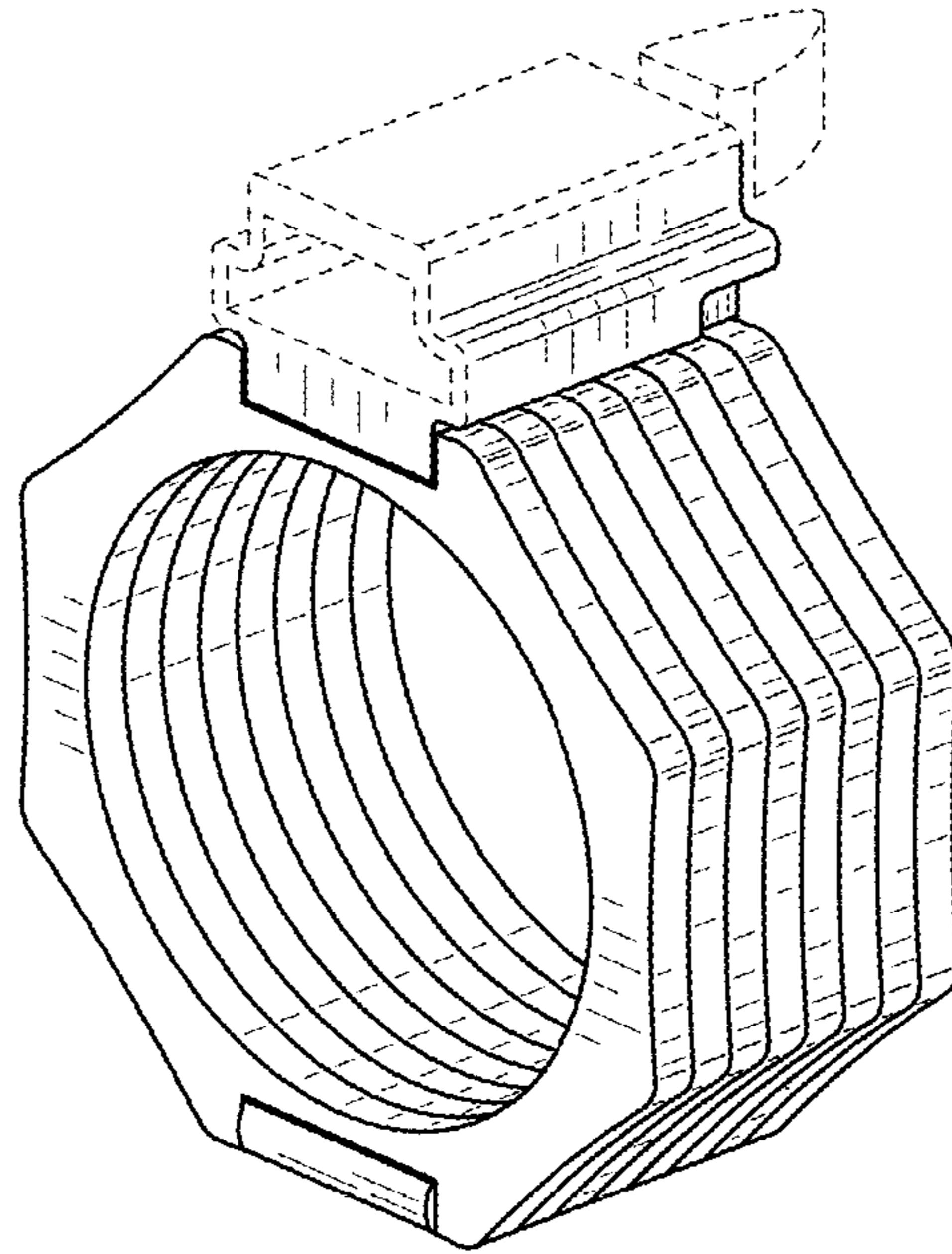


FIG. 1

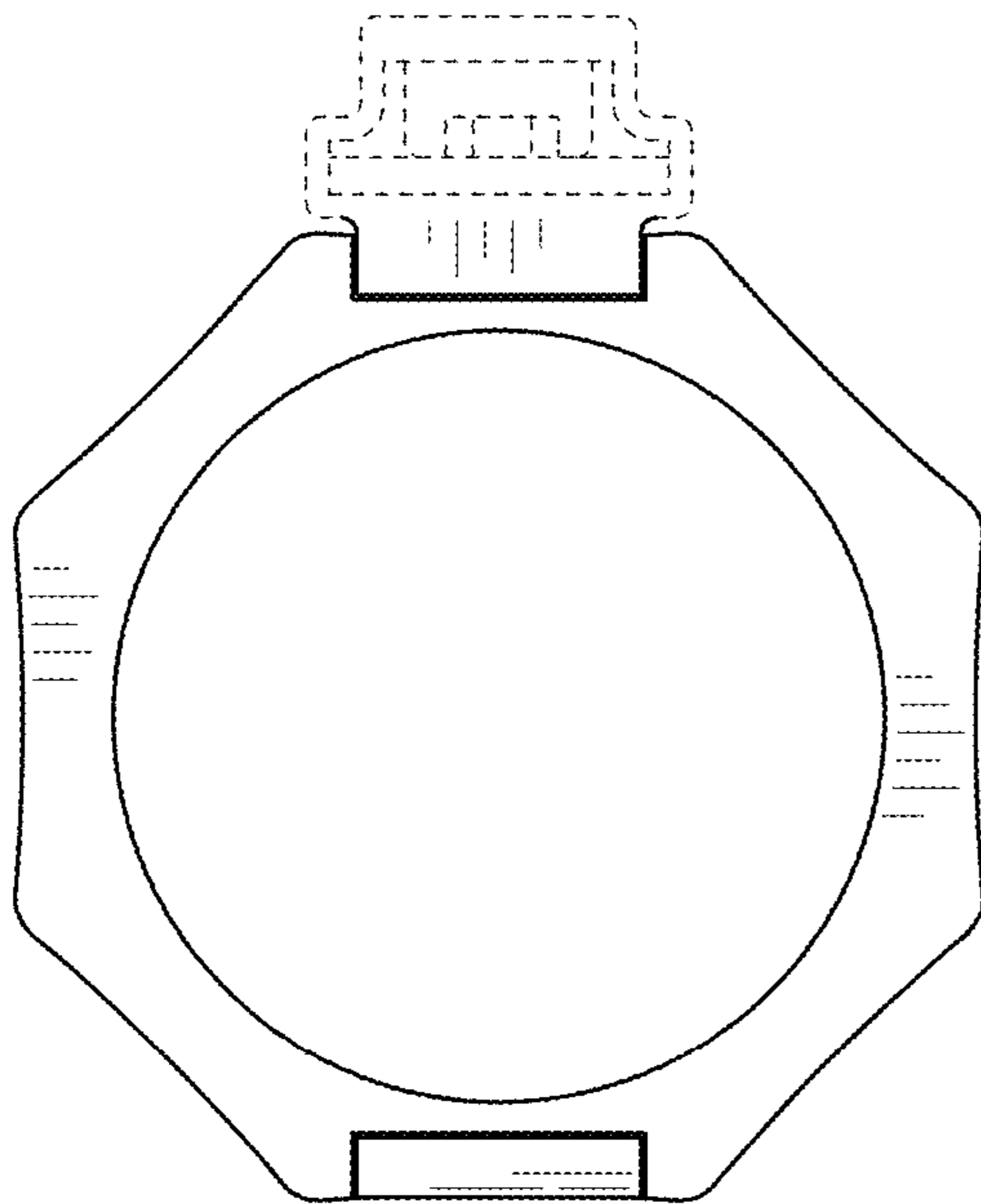


FIG. 2

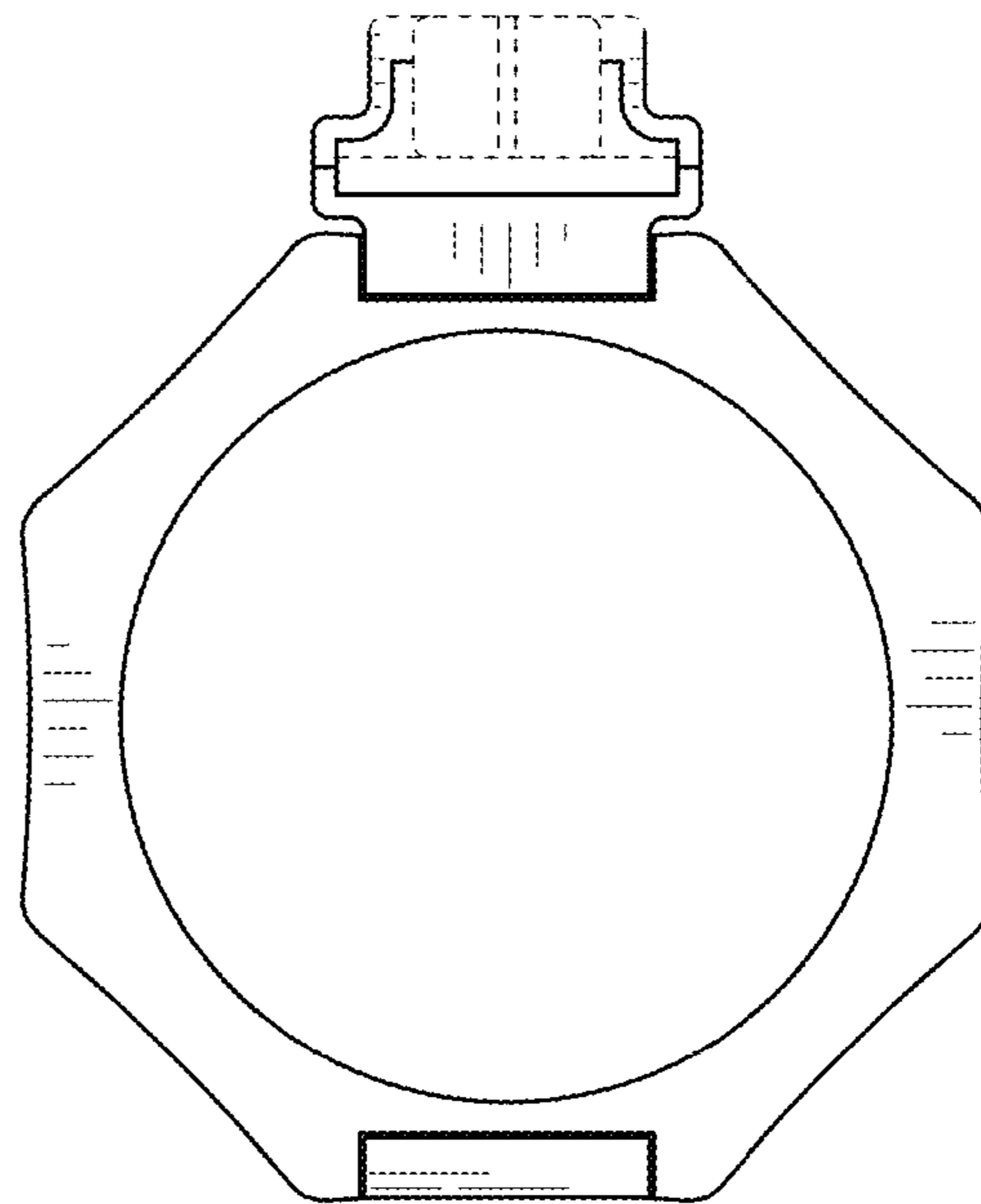


FIG. 3

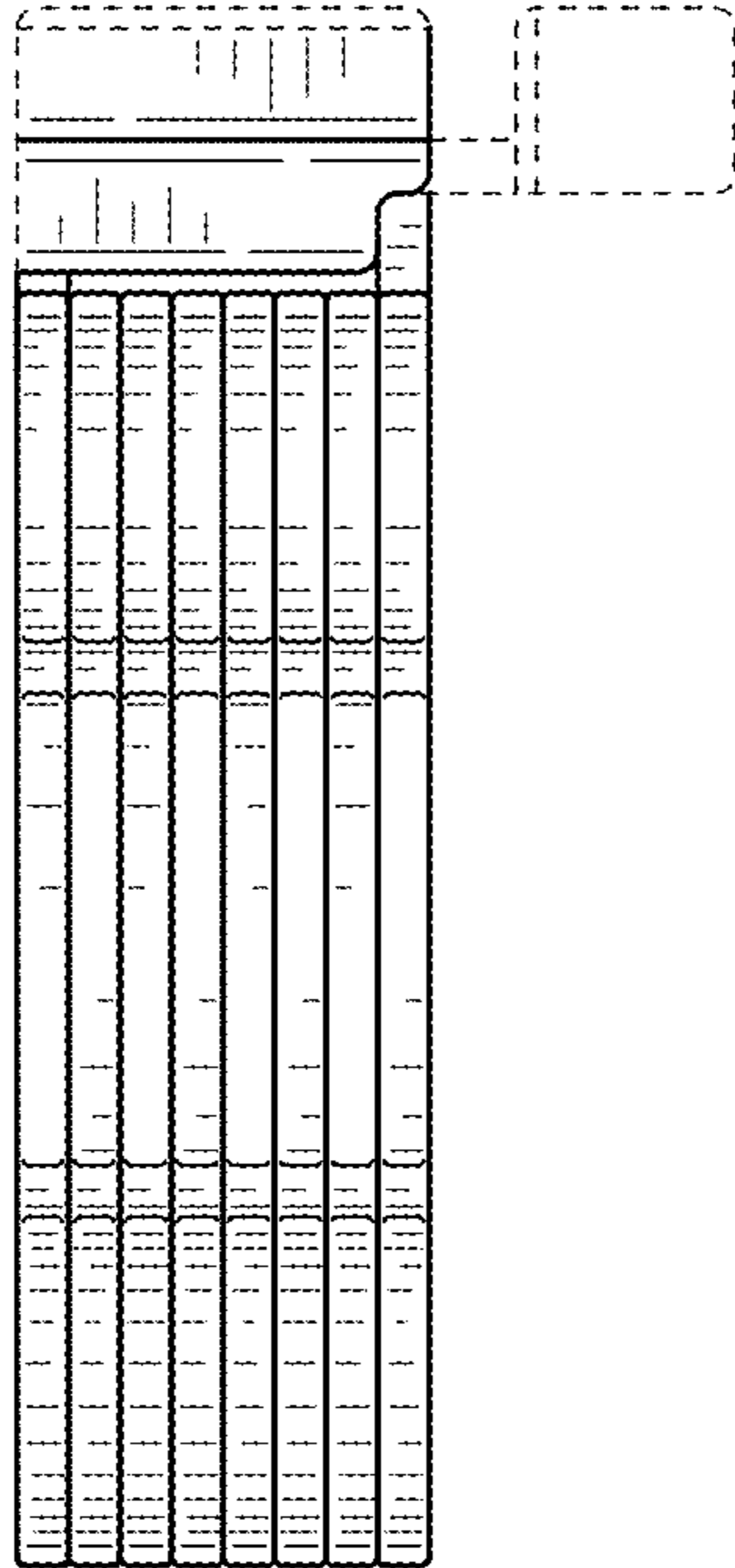


FIG. 4

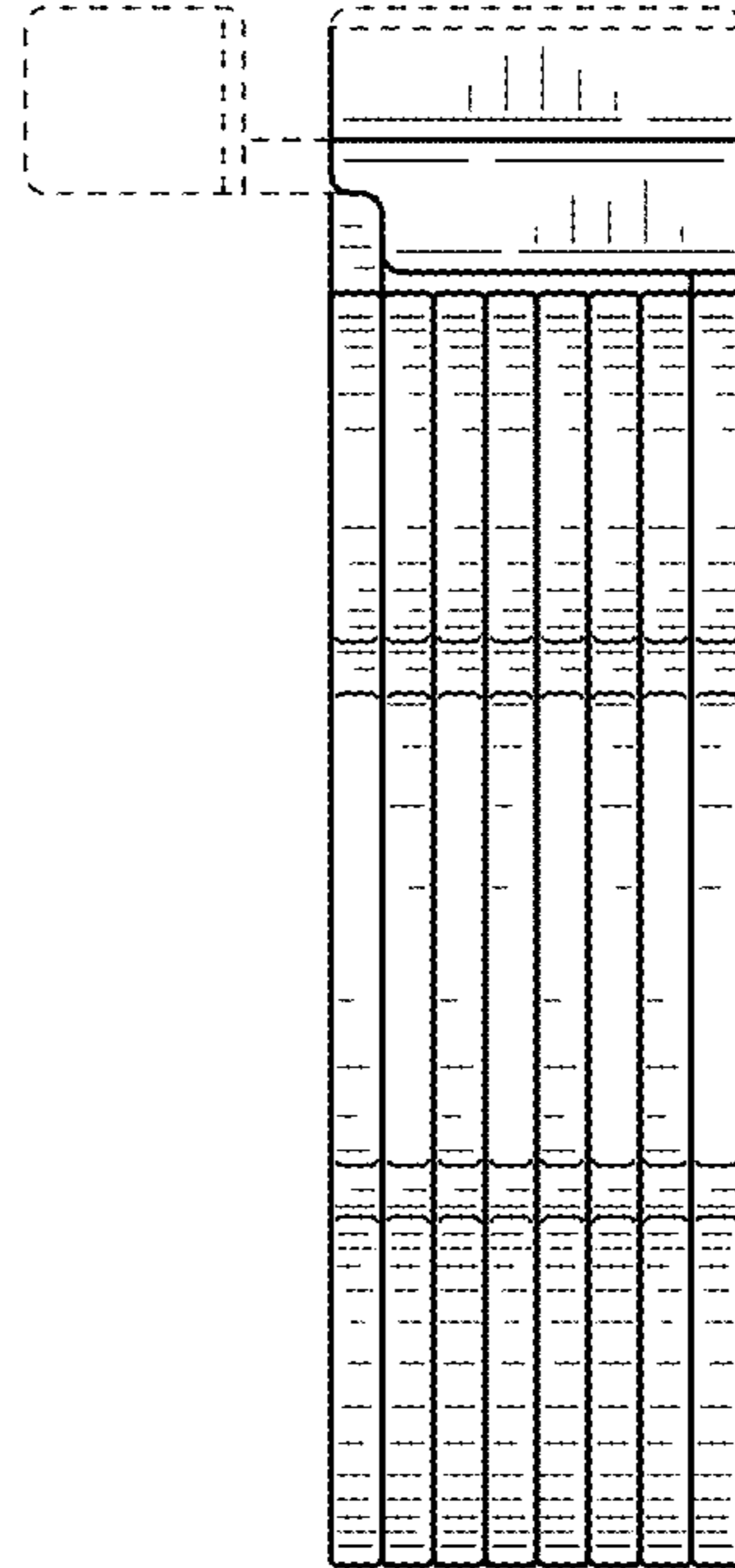


FIG. 5

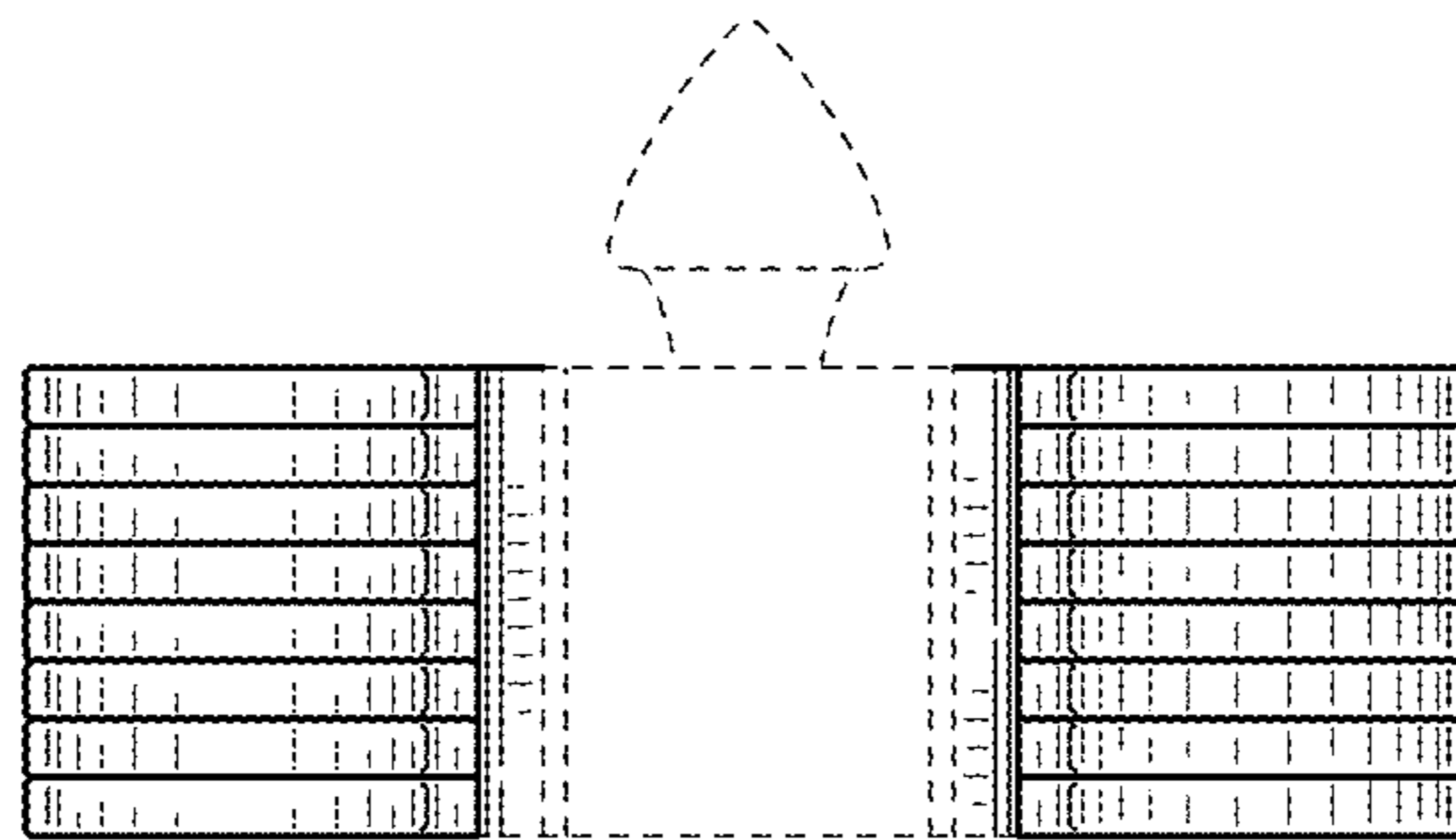


FIG. 6

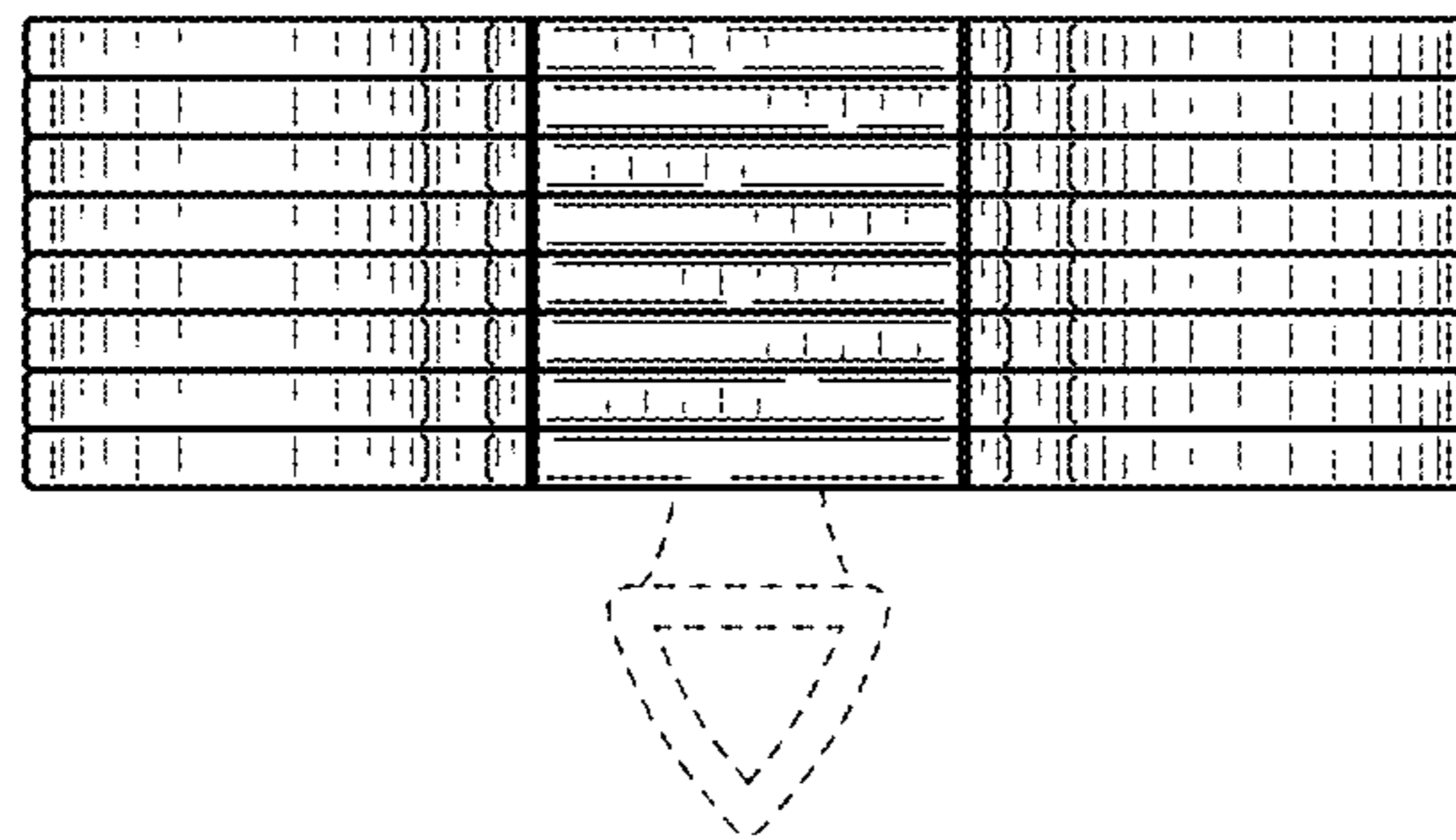


FIG. 7



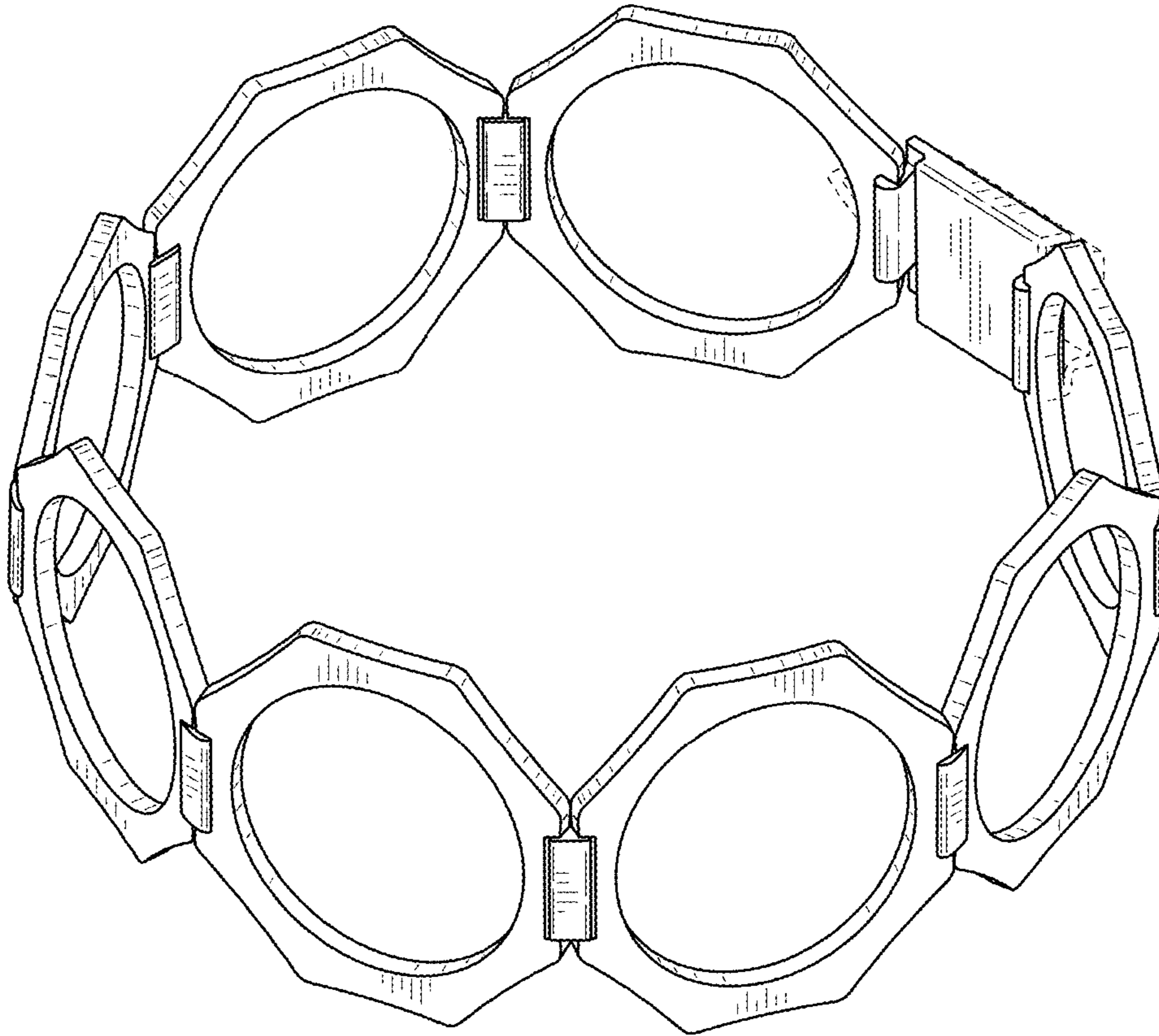


FIG. 8

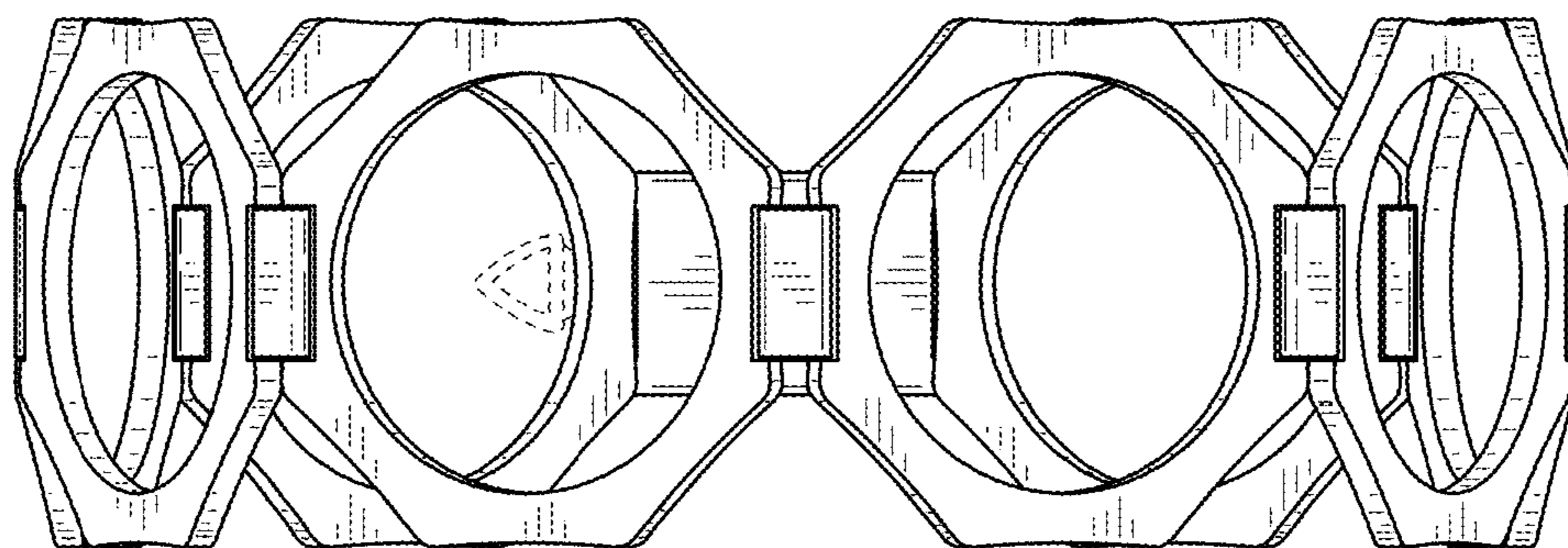


FIG. 9

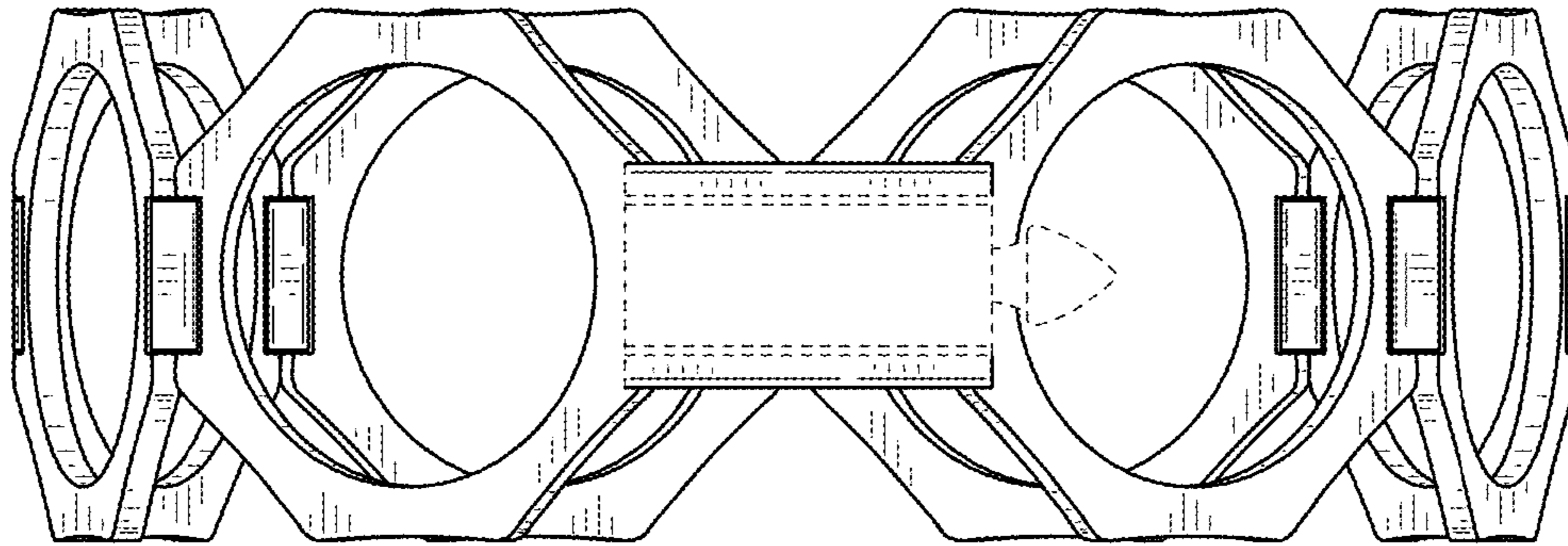


FIG. 10

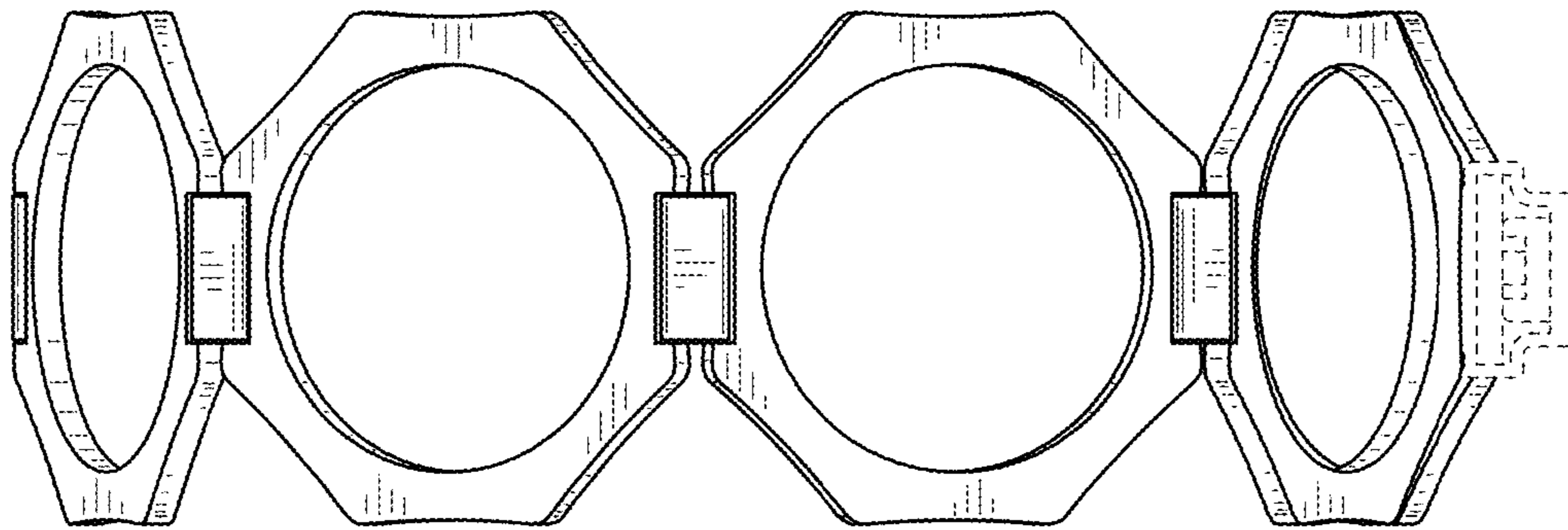


FIG. 11

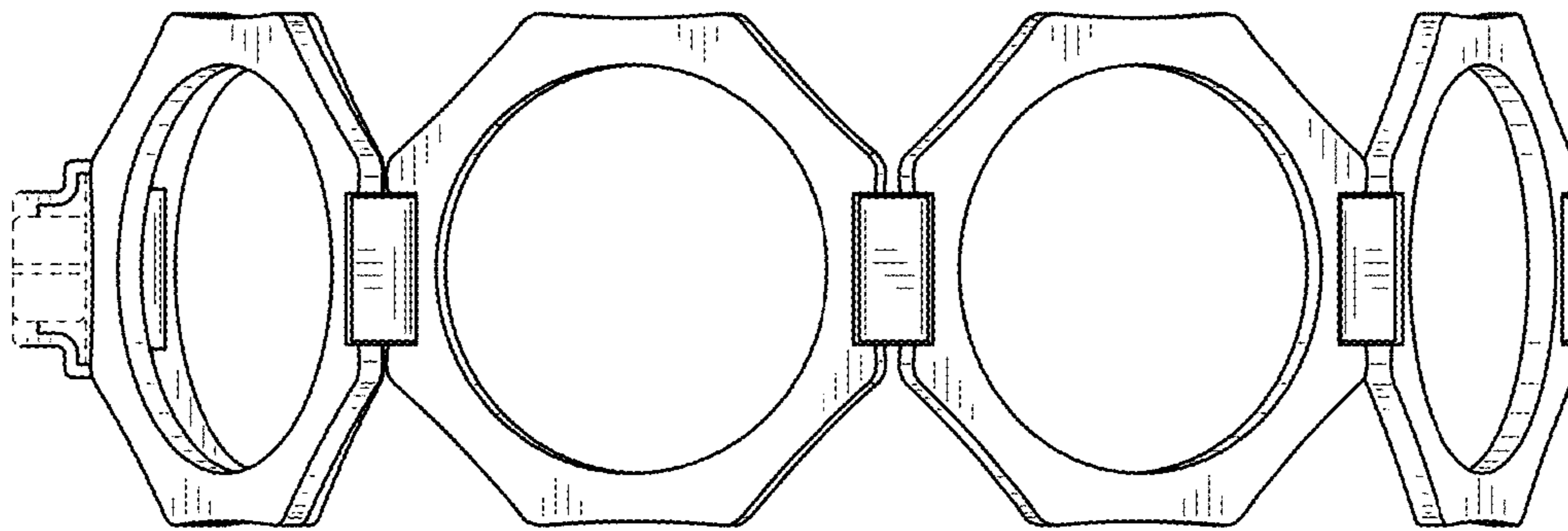


FIG. 12

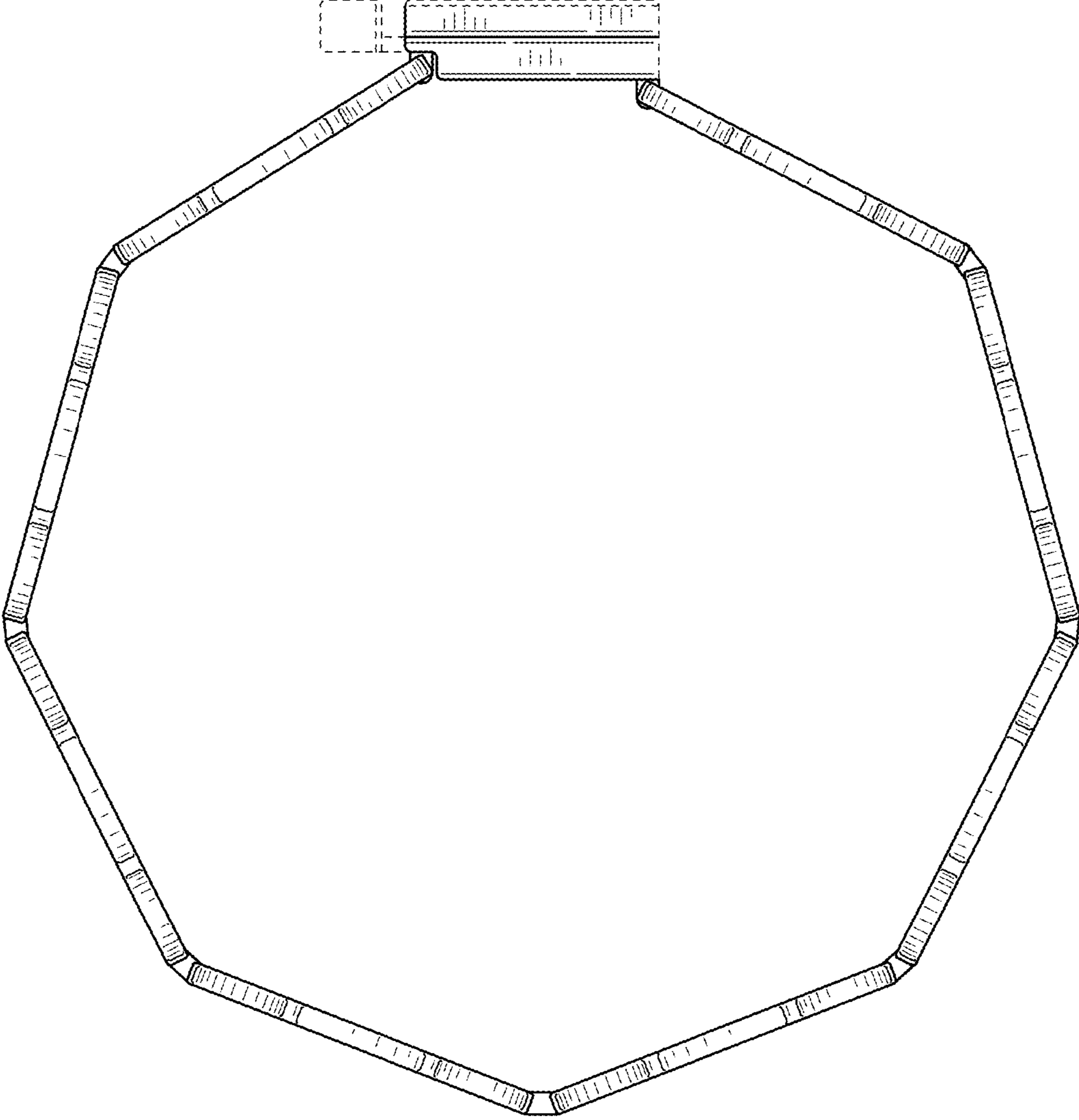


FIG. 13

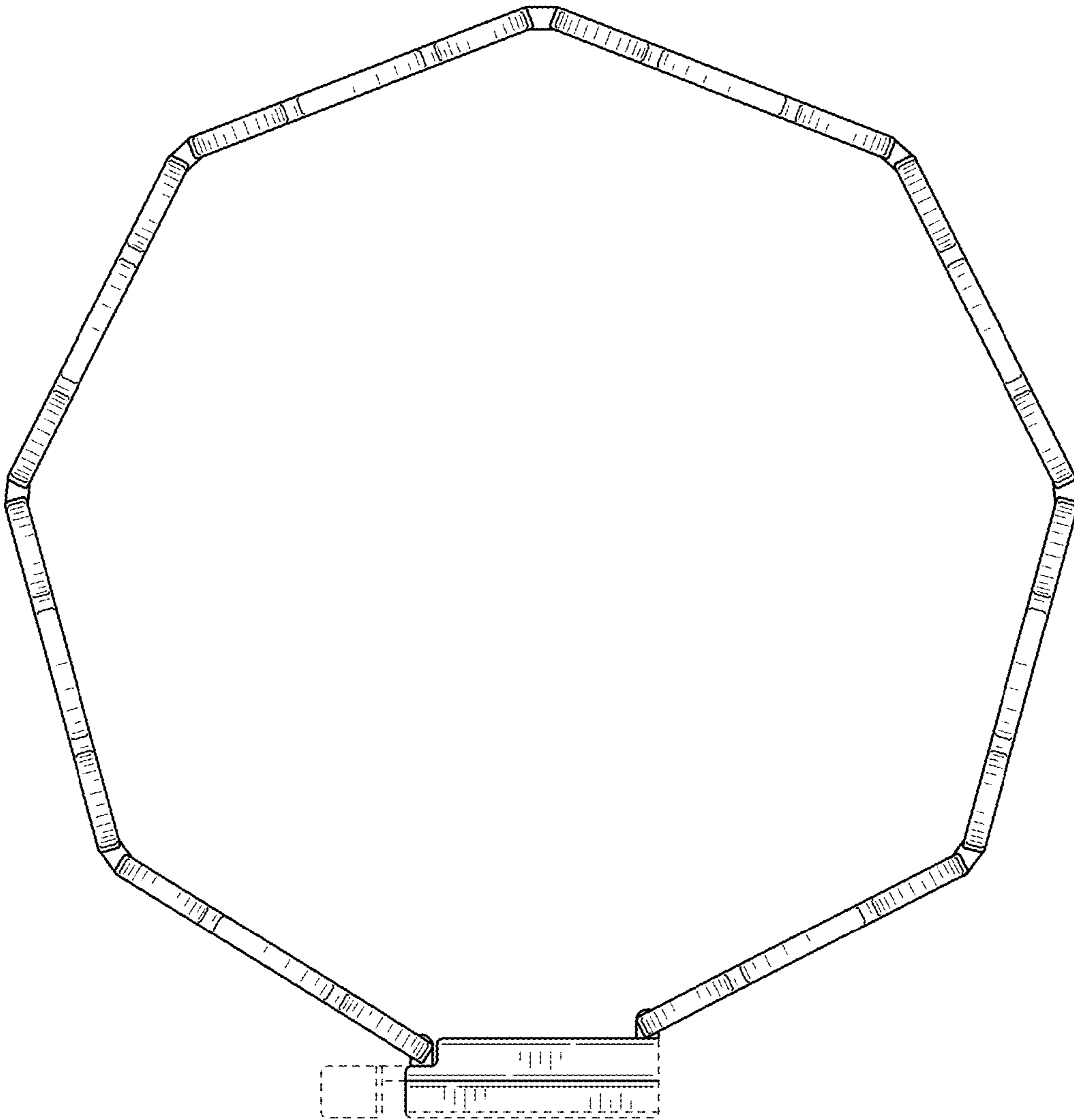


FIG. 14