



US00D770321S

(12) **United States Design Patent** (10) **Patent No.:** **US D770,321 S**
Murphy et al. (45) **Date of Patent:** **** Nov. 1, 2016**

- (54) **WRIST BAND DEVICE CASE**
- (71) Applicants: **Jennifer Ann Murphy**, Nashville, TN (US); **Daniel Poon**, Nashville, TN (US); **Aaron Jones**, Nashville, TN (US); **Timothy Brian Chalfant**, La Vergne, TN (US)
- (72) Inventors: **Jennifer Ann Murphy**, Nashville, TN (US); **Daniel Poon**, Nashville, TN (US); **Aaron Jones**, Nashville, TN (US); **Timothy Brian Chalfant**, La Vergne, TN (US)

D718,647 S *	12/2014	Roush	D10/70
D720,248 S *	12/2014	Law	D11/3
D720,249 S *	12/2014	Park	D11/3
D720,635 S *	1/2015	Park	D10/70
D724,453 S *	3/2015	Ogihara	D10/70
D727,183 S *	4/2015	Park	D10/70
D727,759 S *	4/2015	Martinez	D10/70
D735,068 S *	7/2015	Garcia Pla	D11/3
D735,587 S *	8/2015	Squires	D10/32
D742,875 S *	11/2015	Ji	D10/32
D746,477 S *	12/2015	Cha	D24/186
D747,313 S *	1/2016	Song	D14/344
D747,714 S *	1/2016	Erbeus	D10/32
D749,002 S *	2/2016	Park	D10/70

(Continued)

- (73) Assignee: **Griffin Technology, Inc.**, Nashville, TN (US)

(**) Term: **14 Years**

(21) Appl. No.: **29/511,474**

(22) Filed: **Dec. 11, 2014**

(51) **LOC (10) Cl.** **11-01**

(52) **U.S. Cl.**
USPC **D11/3; D14/344**

(58) **Field of Classification Search**
USPC D11/1-26; D10/70, 98, 32, 38; D24/167; D14/344; D3/203.1, 215, D3/218, 201
CPC A44C 5/00; A44C 5/0007; A44C 5/0015; A44C 5/0023; A44C 5/003; A44C 5/0038; A44C 5/0053; A44C 5/0061; A44C 5/0069; A44C 5/0076; A44C 5/0084; A44C 5/0092; A44C 5/20; A61B 5/02405
See application file for complete search history.

(56) **References Cited**

U.S. PATENT DOCUMENTS

D141,753 S *	7/1945	Du Bois	D11/3
D656,856 S *	4/2012	Kleinberg	D11/3
8,370,549 B2 *	2/2013	Burton	A63B 24/00 703/1
D715,668 S *	10/2014	Roush	D10/70

OTHER PUBLICATIONS

[Online] <http://iot-business.com/wp-content/uploads/2015/06/Capture-d%E2%80%99%C3c0A9cran-2015-06-08-%C3%A0-10.23.16.png>. Retrieved May 24, 2016.*

(Continued)

Primary Examiner — Garth Rademaker

Assistant Examiner — Melanie Pellegrini

(74) *Attorney, Agent, or Firm* — Hornkohl Intellectual Property Law, PLLC; Jason L. Hornkohl

(57) **CLAIM**

The ornamental design for a wrist band device case, as shown and described.

DESCRIPTION

FIG. 1 is an isometric top view showing the new design for a wrist band device case;

FIG. 2 is an isometric bottom view of the wrist band device case;

FIG. 3 is a top view of the wrist band device case;

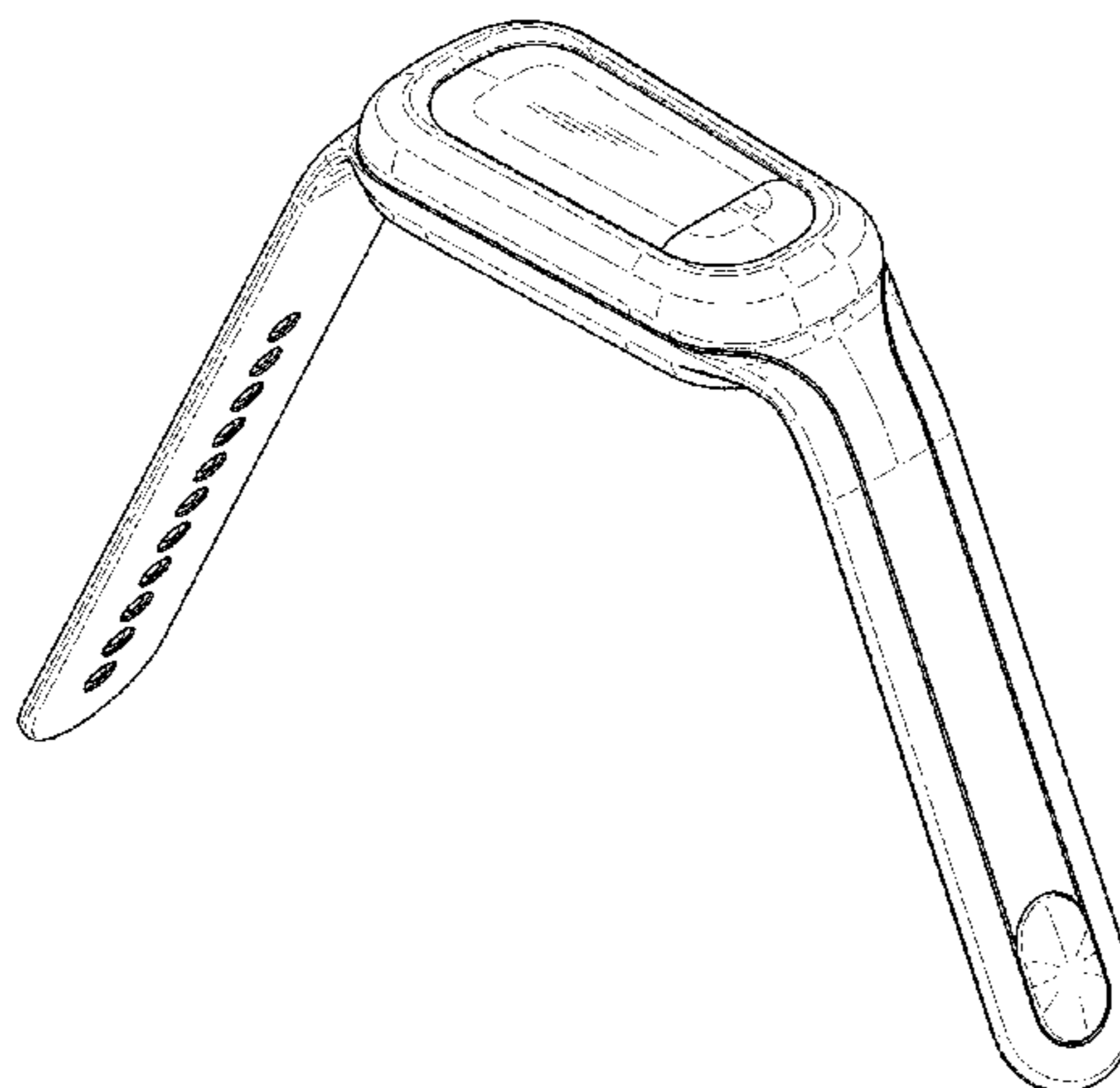
FIG. 4 is a bottom view of the wrist band device case;

FIG. 5 is a right side view of the wrist band device case;

FIG. 6 is a left side view of the wrist band device case; and,

FIG. 7 is a front view of the wrist band device case the rear view being a mirror image thereof.

1 Claim, 5 Drawing Sheets



(56)

References Cited

OTHER PUBLICATIONS

U.S. PATENT DOCUMENTS

D751,069 S * 3/2016 Choi D10/32
2011/0032105 A1 * 2/2011 Hoffman G04F 10/00
340/573.1
2011/0209373 A1 * 9/2011 Padgett A44C 5/0015
40/633
2016/0015136 A1 * 1/2016 Yue A44C 5/2071
63/1.11

[Online] <http://www.damngeeky.com/wp-content/uploads/2014/09/Elecom-wearable-sleep-and-fitness-tracker.jpg>. Retrieved May 24, 2016.*

* cited by examiner



FIG. 1

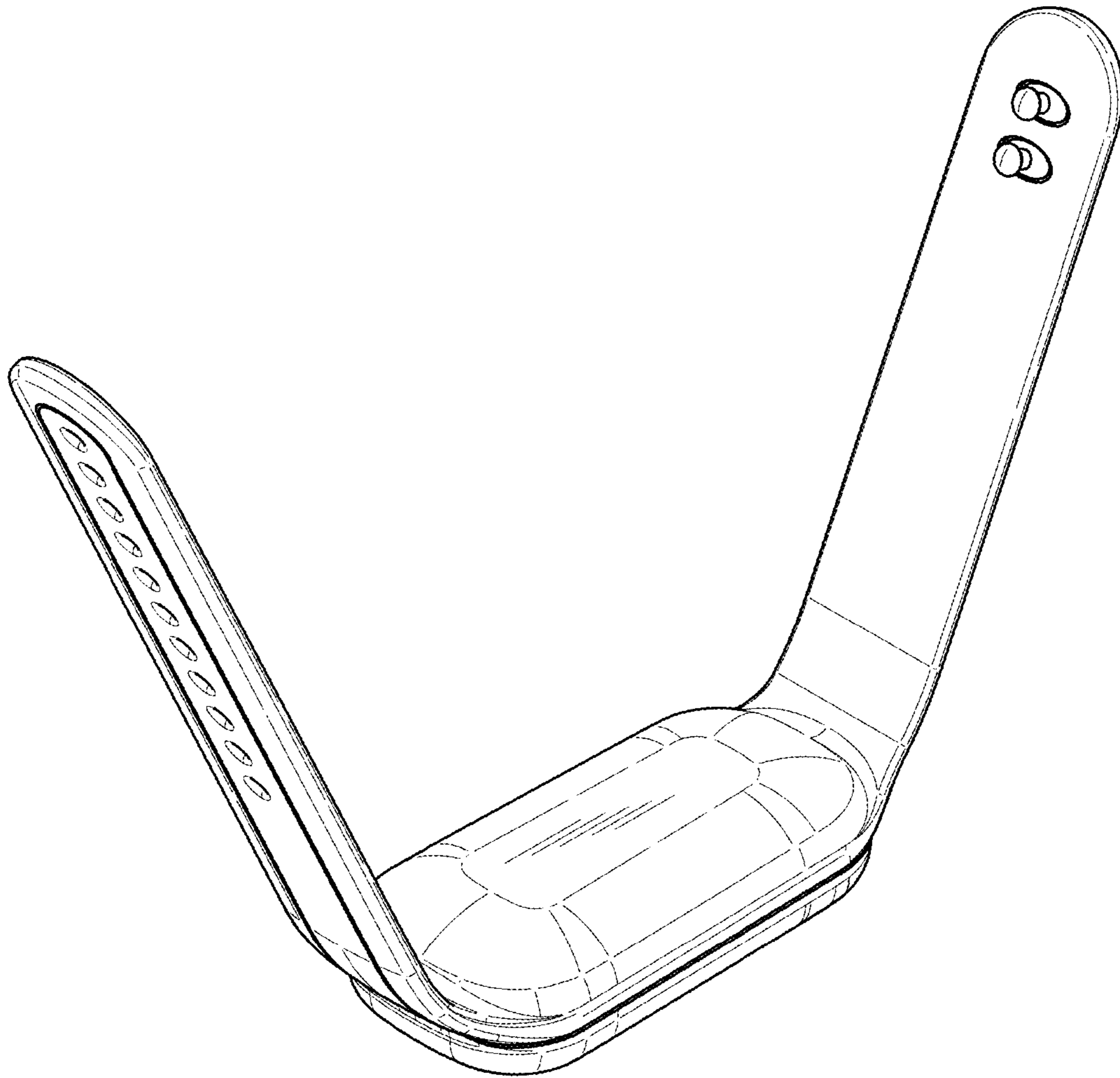


FIG. 2

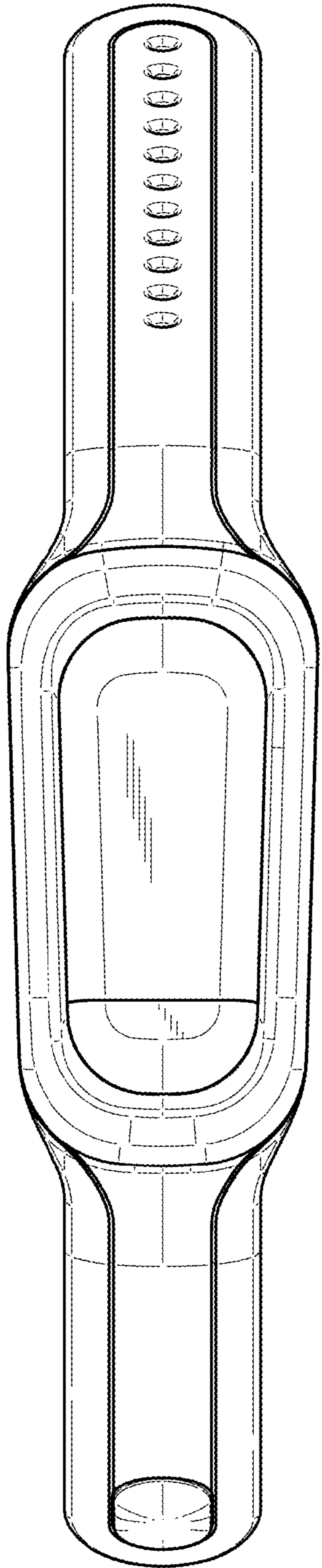


FIG. 3

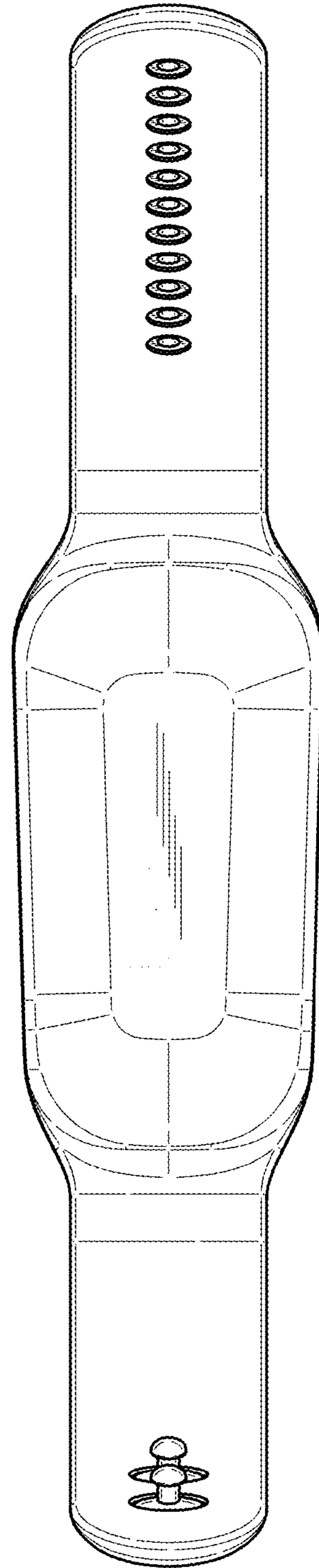


FIG. 4

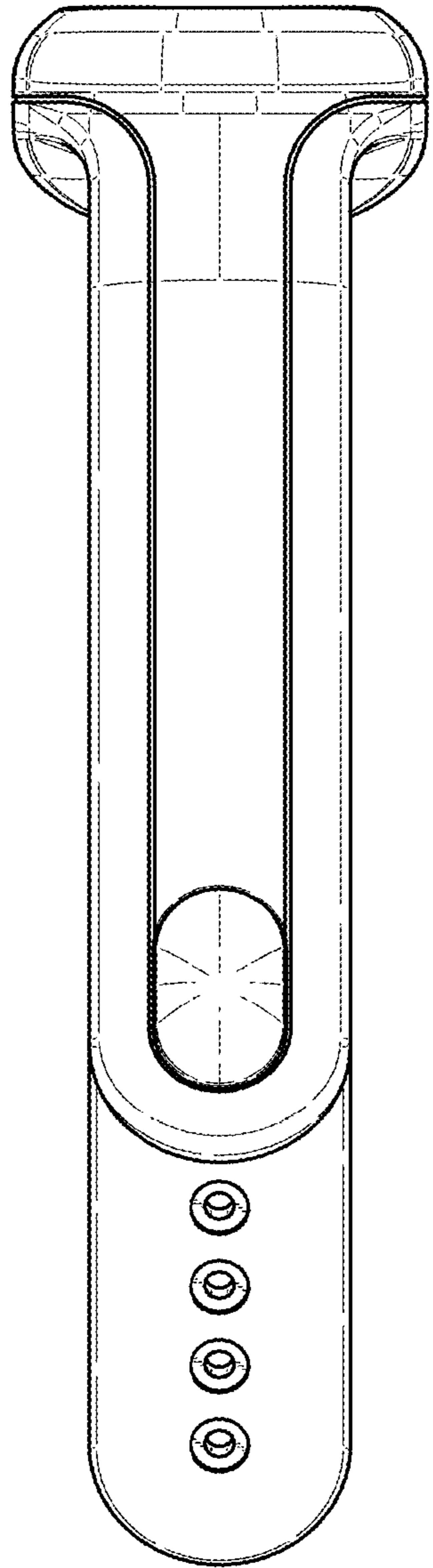


FIG. 5

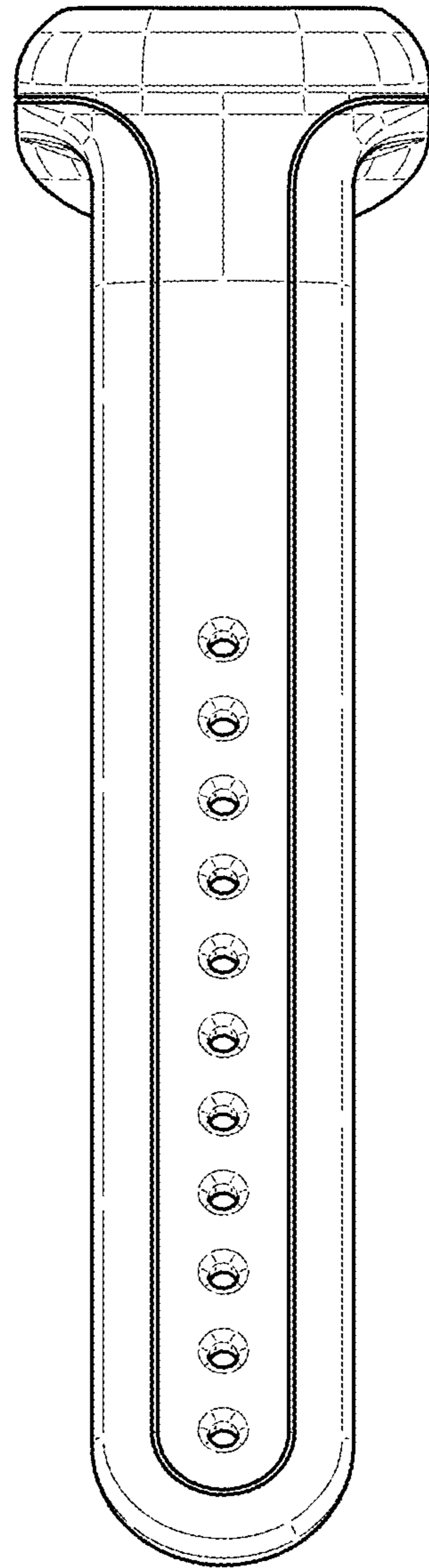


FIG. 6

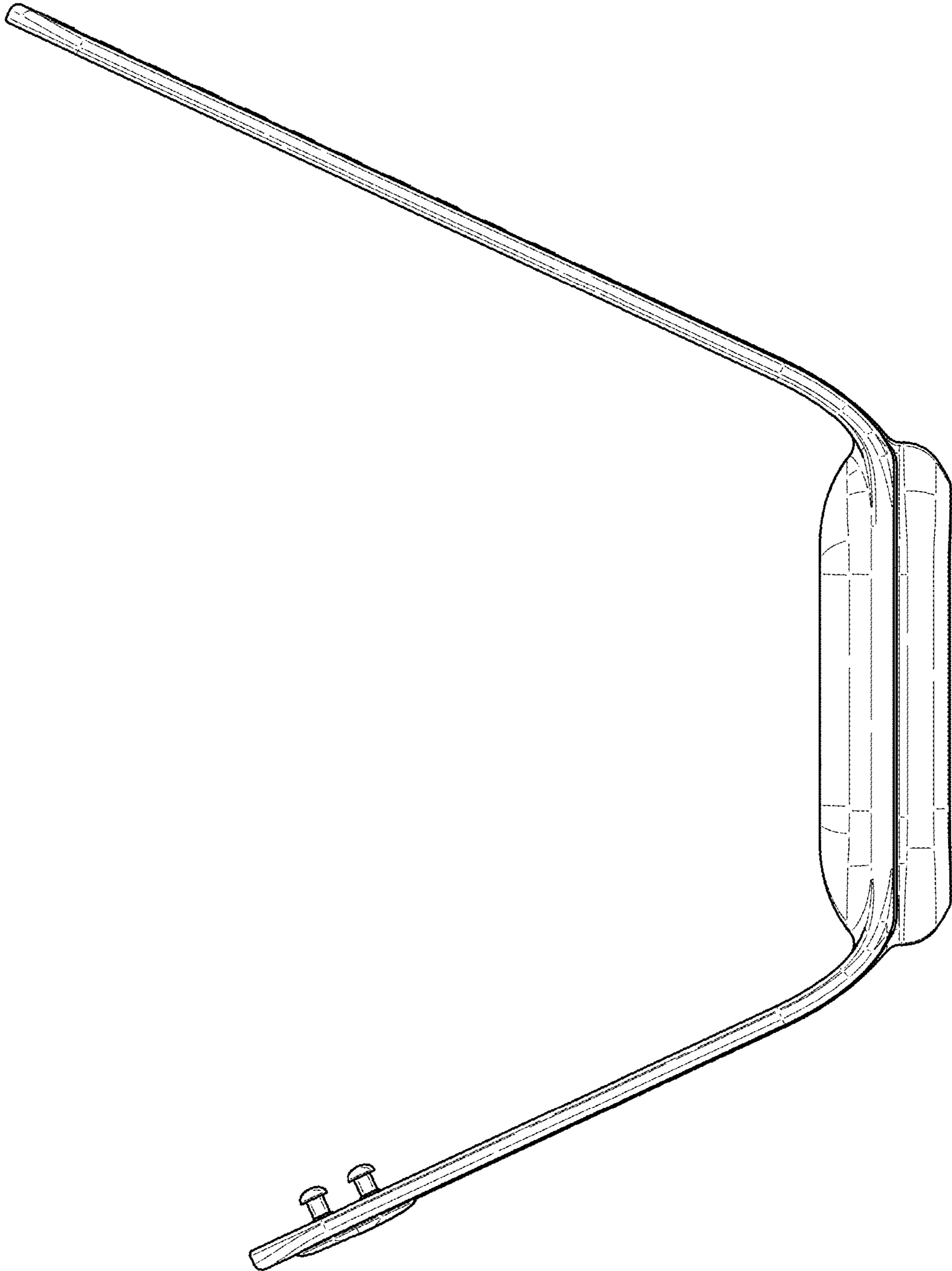


FIG. 7