



US00D770317S

(12) **United States Design Patent**
Heggemann et al.

(10) **Patent No.:** **US D770,317 S**

(45) **Date of Patent:** **** Nov. 1, 2016**

(54) **LED LIGHTS**
(71) Applicant: **Weidmueller Interface GmbH & Co. KG, Detmold (DE)**
(72) Inventors: **Christian Heggemann, Detmold (DE); Guenter Wissmann, Schenefeld (DE); Patric Moammer, Hamburg (DE); Stefan Freitag, Hamburg (DE)**

(73) Assignee: **Weidmueller Interface GmbH & Co. KG, Detmold (DE)**

(**) Term: **14 Years**

(21) Appl. No.: **29/479,533**

(22) Filed: **Jan. 17, 2014**

(30) **Foreign Application Priority Data**

Jul. 19, 2013 (EM) 002277558-0001

(51) **LOC (10) Cl.** **10-05**

(52) **U.S. Cl.**
USPC **D10/111; D13/165**

(58) **Field of Classification Search**
USPC D10/111, 114.2; D13/162, 165; D26/24, 72; 362/84, 217.01, 244, 362
CPC F21K 9/00; F21V 5/00; F21V 5/02; F21V 5/08; F21V 15/01; F21V 31/00; G08B 7/062; G08B 7/066

See application file for complete search history.

(56) **References Cited**

U.S. PATENT DOCUMENTS

D217,926 S * 6/1970 Eisele et al. D10/111
D255,106 S * 5/1980 Bodenrader D10/111
D365,886 S * 1/1996 Strazhnik D13/134
D395,093 S * 6/1998 Summerland D26/24
6,142,649 A * 11/2000 Beghelli F21S 9/022
362/259
6,425,678 B1 * 7/2002 Verdes F21V 29/89
257/E25.019
D471,162 S * 3/2003 Fayfield D13/165

6,837,598 B2 * 1/2005 Marcus F21S 8/032
362/235
D608,673 S * 1/2010 Arosio D10/111
7,771,089 B2 * 8/2010 Schultz F21S 48/328
362/294
D643,765 S * 8/2011 Huang D10/114.2
8,004,169 B2 * 8/2011 Li F21K 9/00
313/315
D660,491 S * 5/2012 Holscher D26/63
8,708,526 B2 * 4/2014 Wu F21V 21/116
362/184
2005/0190553 A1 * 9/2005 Lynch F21S 4/28
362/227
2005/0221659 A1 * 10/2005 Mrakovich F21V 21/002
439/404
2006/0083017 A1 * 4/2006 Wang B64F 1/20
362/547
2009/0034267 A1 * 2/2009 Hung F21V 21/002
362/311.01
2009/0168427 A1 * 7/2009 Yu F21K 9/00
362/294
2010/0195348 A1 * 8/2010 Ohtsuka B60Q 3/0203
362/546
2011/0007280 A1 * 1/2011 Patterson B60Q 3/0256
353/12
2011/0013397 A1 * 1/2011 Catone F21S 8/086
362/244

(Continued)

Primary Examiner — Selina Sikder

(74) *Attorney, Agent, or Firm* — Crowell & Moring LLP

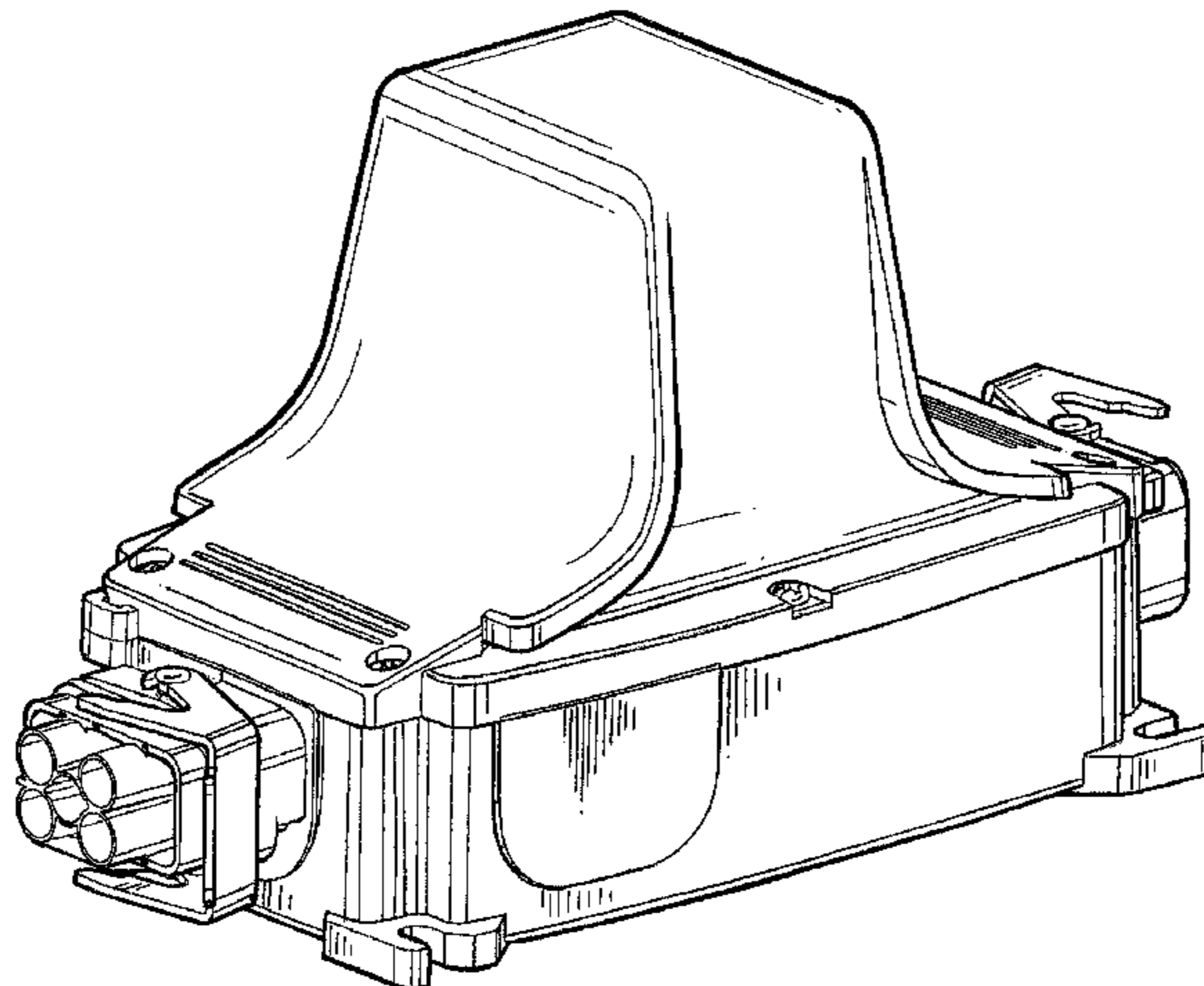
(57) **CLAIM**

The ornamental design for LED lights, as shown and described.

DESCRIPTION

FIG. 1 is a right, front perspective view of LED lights according to the design;
FIG. 2 is a left, front perspective view thereof;
FIG. 3 is right side view thereof;
FIG. 4 is a left side view thereof;
FIG. 5 is a rear view thereof;
FIG. 6 is a front view thereof;
FIG. 7 is a top view thereof; and,
FIG. 8 is a bottom view thereof.

1 Claim, 7 Drawing Sheets



(56)

References Cited

U.S. PATENT DOCUMENTS

2011/0058370	A1*	3/2011	Datz	B60Q 1/2611 362/235	2014/0055619	A1*	2/2014	Holland	G08B 5/36 348/159
2011/0216545	A1*	9/2011	Russo	H01R 9/031 362/362	2014/0111966	A1*	4/2014	Oostdyk	F21V 5/02 362/84
2012/0069561	A1*	3/2012	Burton	F21V 15/01 362/231	2015/0036340	A1*	2/2015	Schwaighofer	F21V 5/08 362/237
2012/0092183	A1*	4/2012	Corbett	F21S 2/005 340/815.4	2015/0184809	A1*	7/2015	Kuo	F21V 5/04 362/311.14
2013/0210252	A1*	8/2013	Ilyes	G08C 19/00 439/226	2015/0345753	A1*	12/2015	Mochizuki	F21V 5/04 362/375
2014/0036514	A1*	2/2014	Sawayanagi	F21V 27/02 362/368	2016/0003428	A1*	1/2016	Anderson	F21S 8/033 362/147
					2016/0025306	A1*	1/2016	Menke, III	F21V 17/002 362/311.01

* cited by examiner

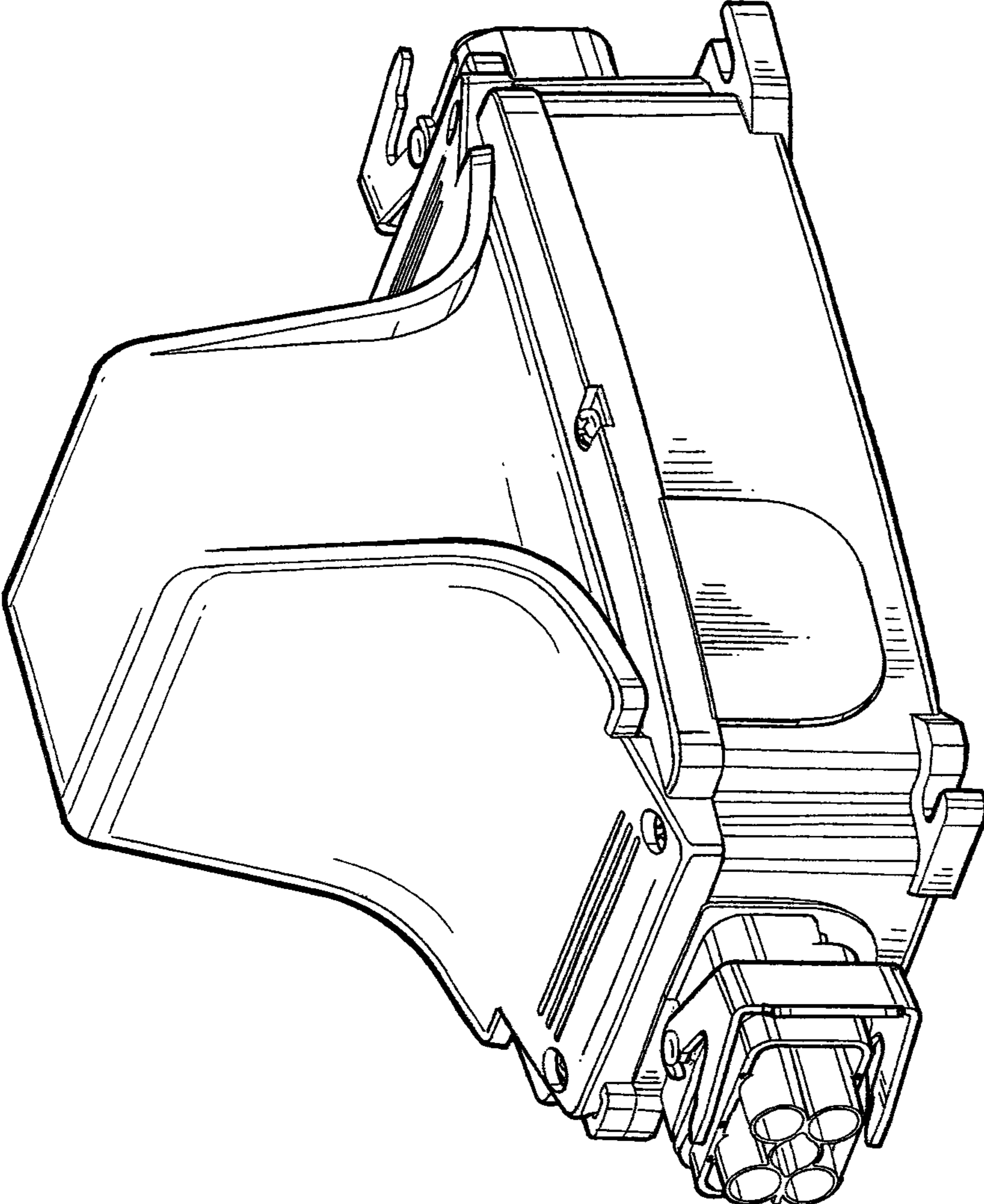


FIG. 1

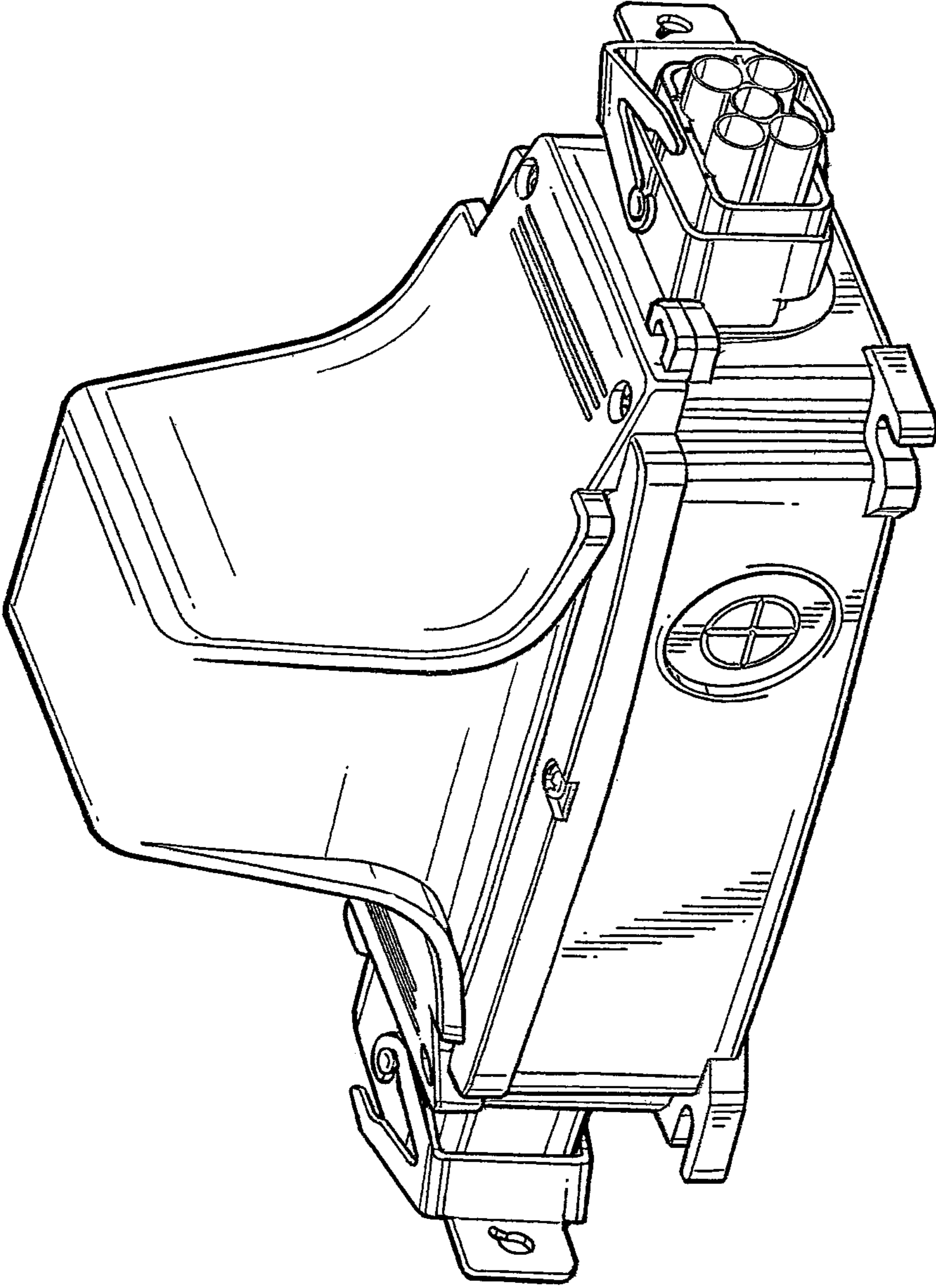


FIG. 2

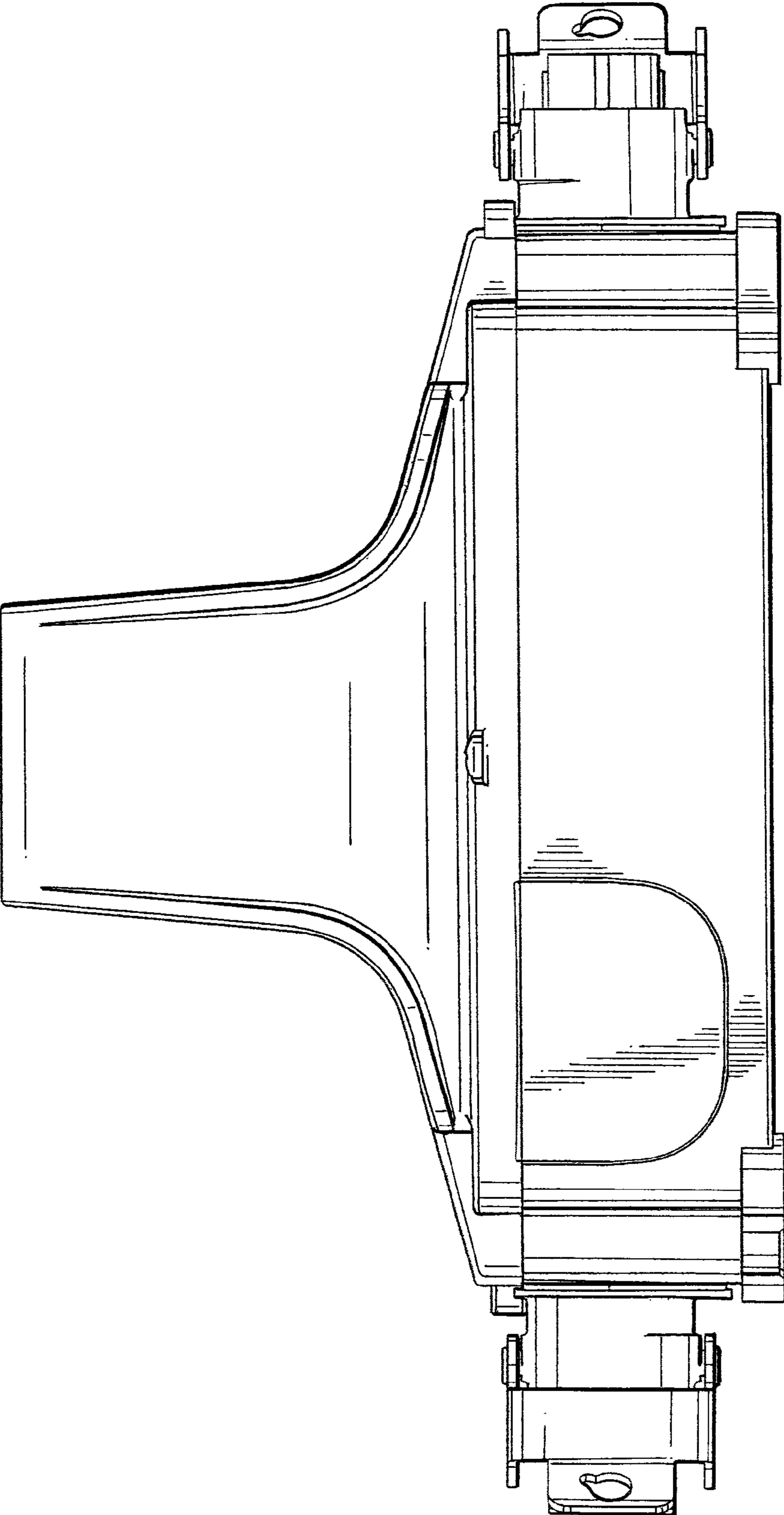


FIG. 3

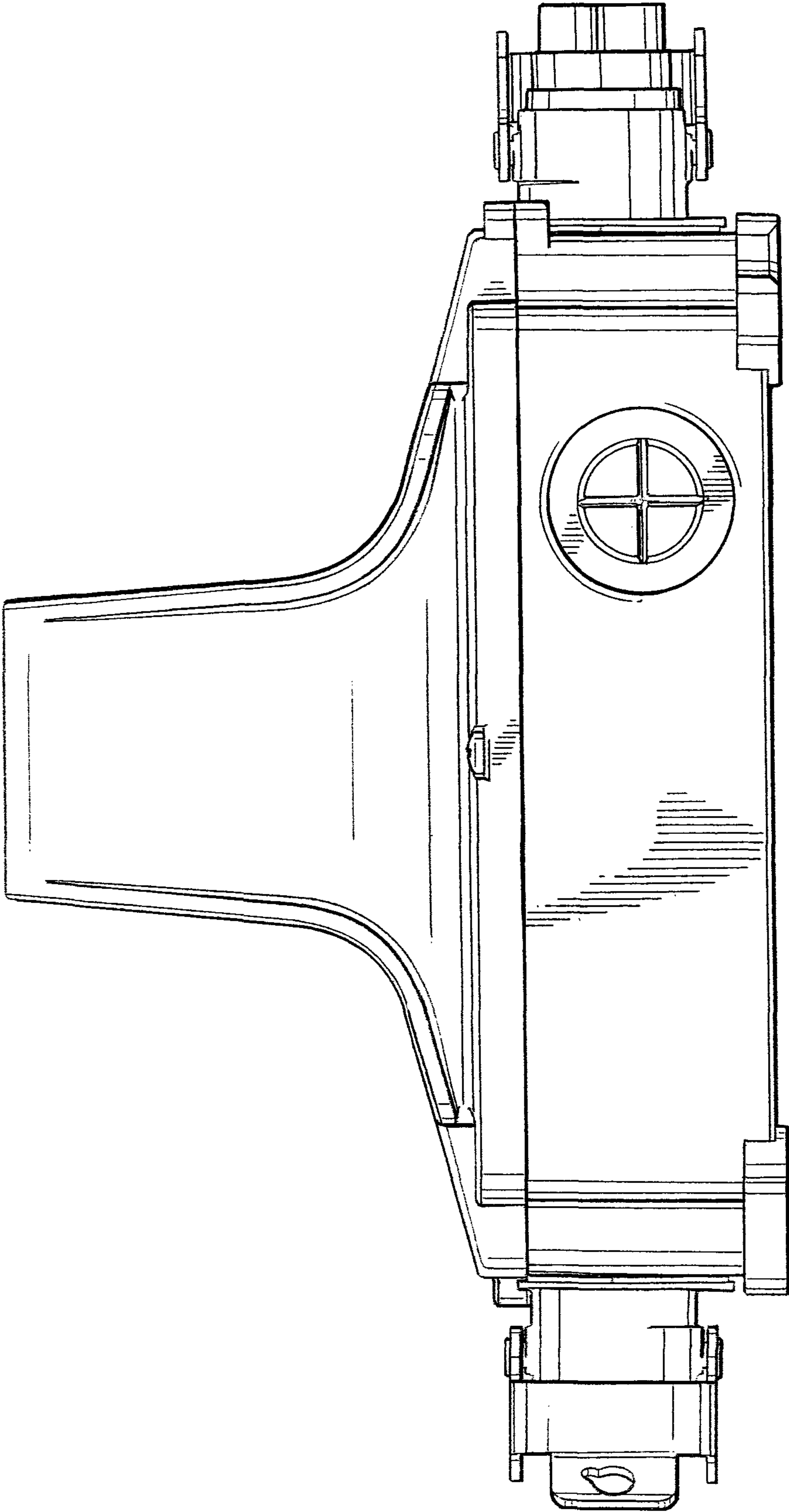


FIG. 4

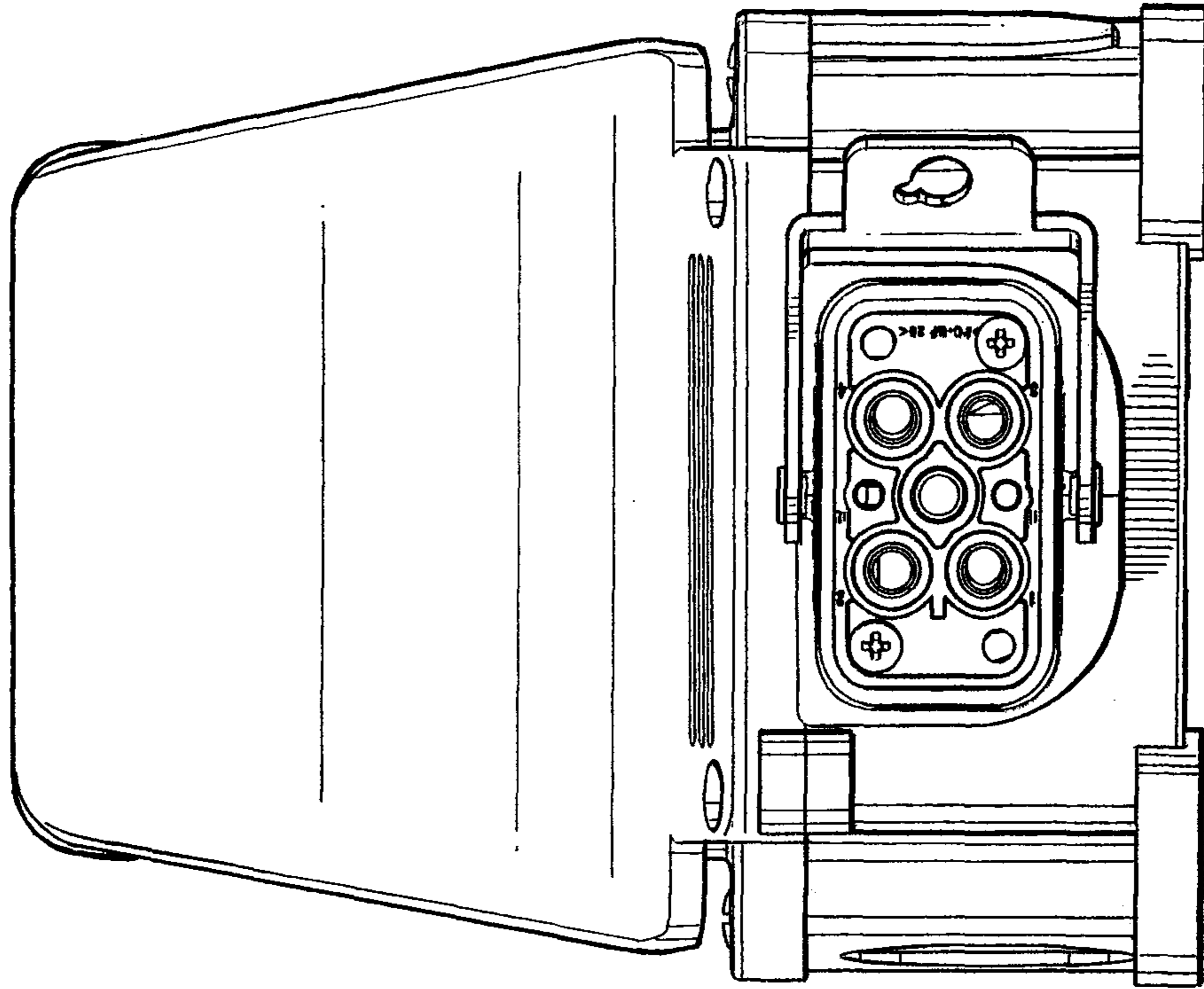


FIG. 5

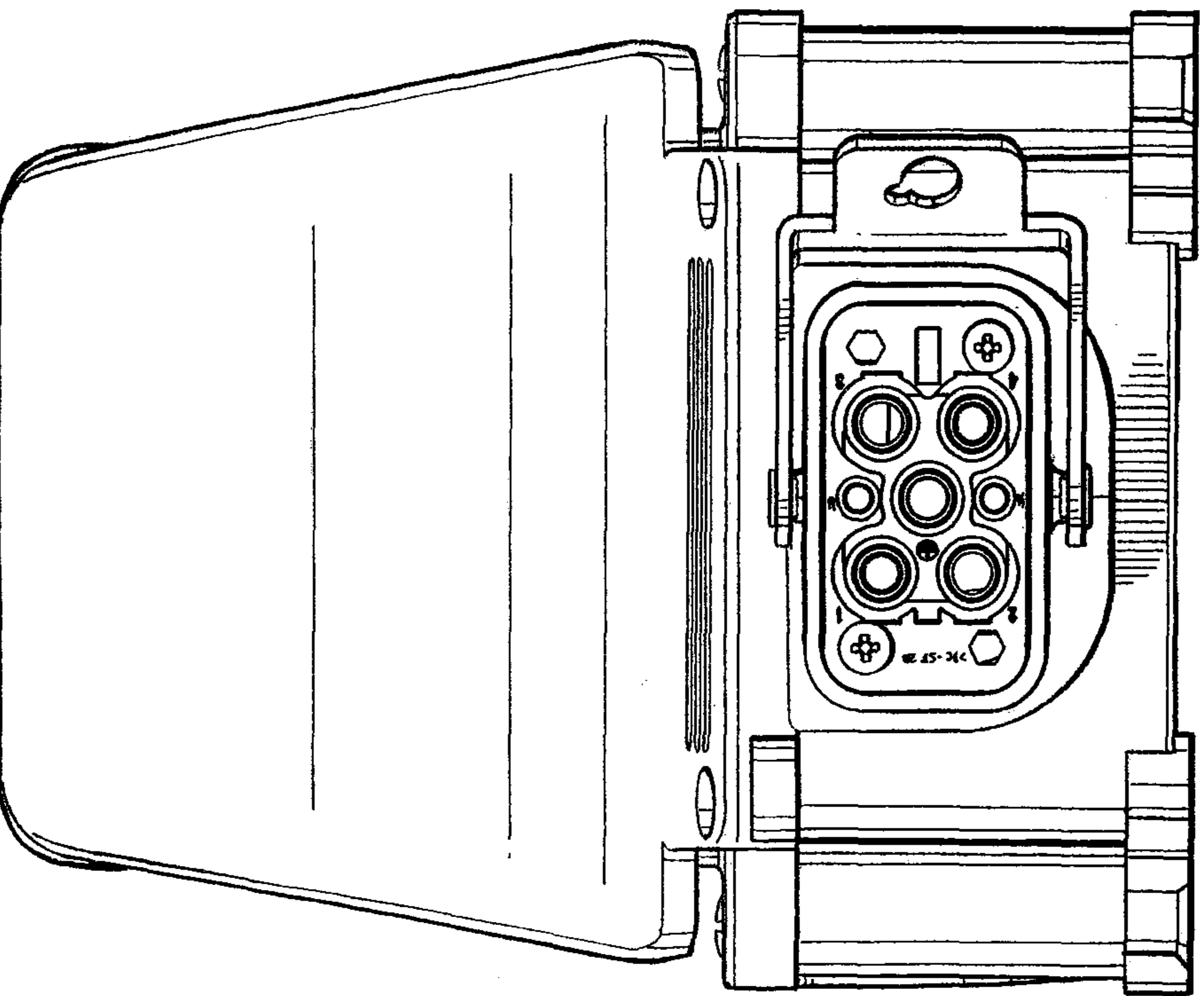


FIG. 6

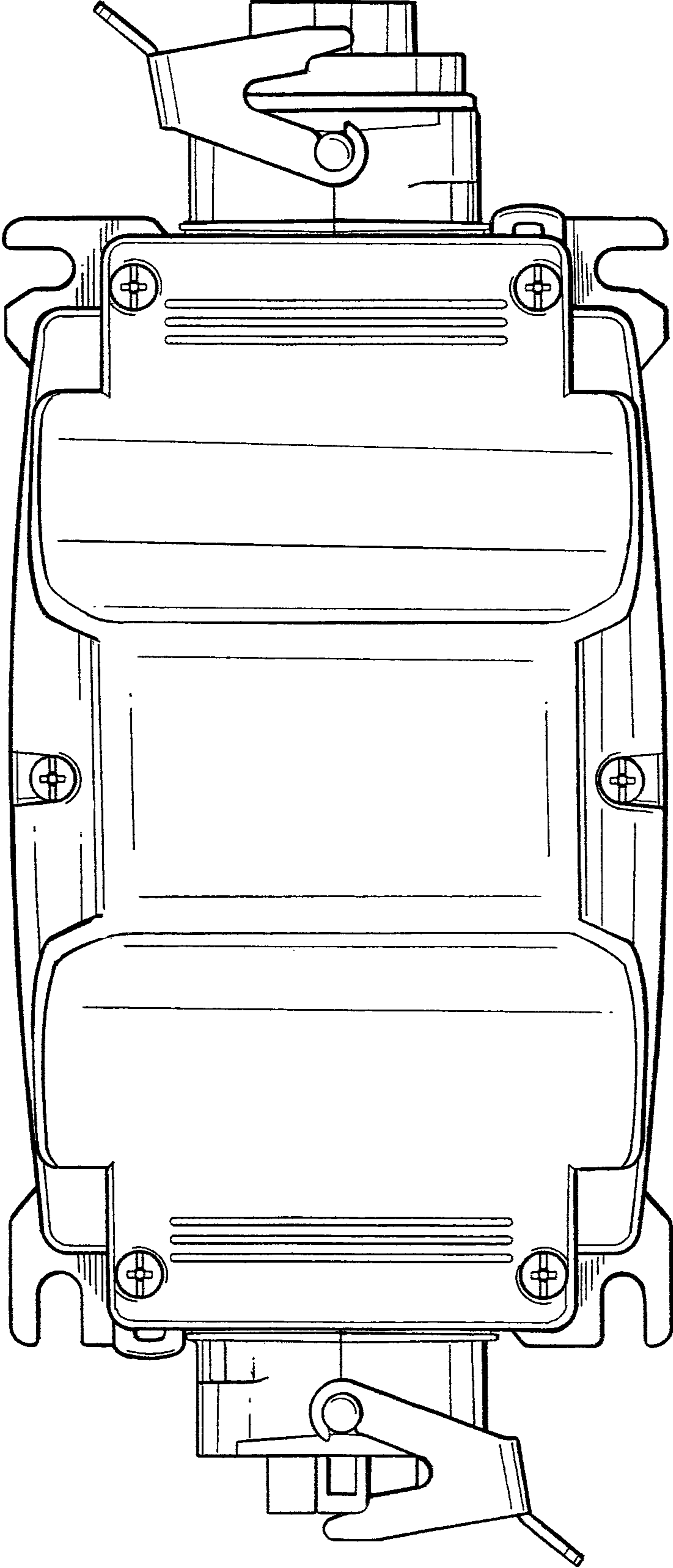


FIG. 7

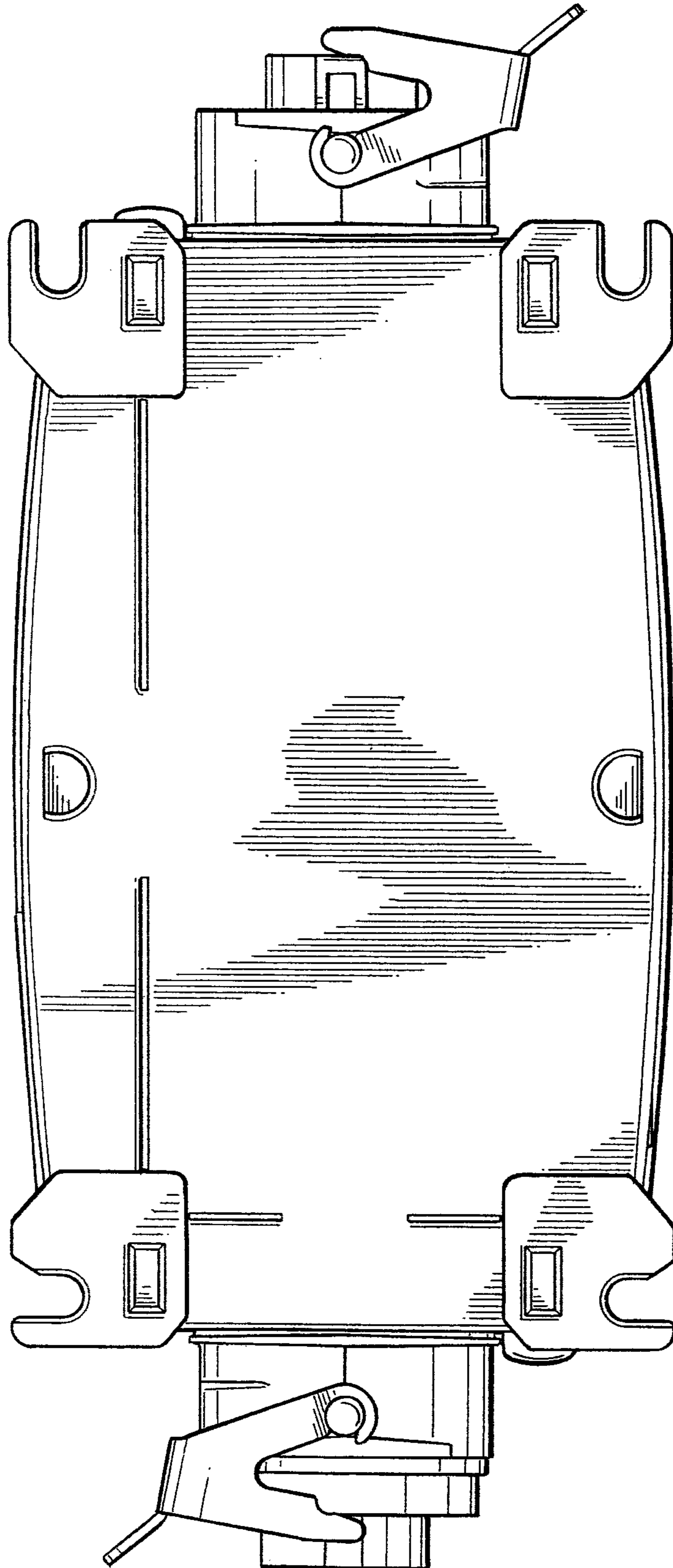


FIG. 8