



US00D770315S

(12) **United States Design Patent** (10) **Patent No.:** **US D770,315 S**
Katsumoto et al. (45) **Date of Patent:** **** Nov. 1, 2016**

(54) **CONTAINER FOR MEASURING ELECTRICAL CHARACTERISTICS**

(71) Applicant: **Sony Corporation**, Tokyo (JP)
(72) Inventors: **Yoichi Katsumoto**, Tokyo (JP);
Daisuke Terakado, Saitama (JP)
(73) Assignee: **Sony Corporation**, Tokyo (JP)
(**) Term: **14 Years**
(21) Appl. No.: **29/520,585**
(22) Filed: **Mar. 16, 2015**

(30) **Foreign Application Priority Data**

Feb. 27, 2015 (JP) 2015-004228
Feb. 27, 2015 (JP) 2015-004229
Feb. 27, 2015 (JP) 2015-004230
Feb. 27, 2015 (JP) 2015-004231
Feb. 27, 2015 (JP) 2015-004232
Feb. 27, 2015 (JP) 2015-004234
Feb. 27, 2015 (JP) 2015-004235
Feb. 27, 2015 (JP) 2015-004236
Feb. 27, 2015 (JP) 2015-004237
Feb. 27, 2015 (JP) 2015-004238
Feb. 27, 2015 (JP) 2015-004239
Feb. 27, 2015 (JP) 2015-004240

(51) **LOC (10) Cl.** **10-04**

(52) **U.S. Cl.**
USPC **D10/81; D24/224**

(58) **Field of Classification Search**
USPC D10/81; D24/224
CPC B01L 2300/0832; B01L 2300/0835;
B01L 2300/0838; B01L 2300/0841; B01L
2300/0845; B01L 3/5021; B01L 2300/0809;
B01L 2300/0819; B01L 2300/0825; G01N
21/03; G01N 21/031; G01N 21/0317; G01N
21/0332; G01N 21/05

See application file for complete search history.

(56) **References Cited**

U.S. PATENT DOCUMENTS

D724,892 S * 3/2015 Gonzalez-Quiros D24/224
D732,684 S * 6/2015 Ooi D24/224
D739,953 S * 9/2015 Curry D24/224

* cited by examiner

Primary Examiner — Antoine D Davis

(74) *Attorney, Agent, or Firm* — Michael Best and Friedrich LLP

(57) **CLAIM**

The ornamental design for a container for measuring electrical characteristics, as shown and described.

DESCRIPTION

FIG. 1 is a front elevational view of a first embodiment of a container for measuring electrical characteristics showing our new design;

FIG. 2 is a rear elevational view thereof;

FIG. 3 is a left side elevational view thereof;

FIG. 4 is a right side elevational view thereof;

FIG. 5 is a top plan view thereof; and

FIG. 6 is a bottom plan view thereof.

FIG. 7 is a cross sectional view thereof cut along the line 7-7 of FIG. 4;

FIG. 8 is an enlarged cross sectional view thereof along the lines 8-8 of FIG. 7.

FIG. 9 is a front elevational view of a second embodiment of a container for measuring electrical characteristics showing our new design;

FIG. 10 is a rear elevational view thereof;

FIG. 11 is a left side elevational view thereof;

FIG. 12 is a right side elevational view thereof;

FIG. 13 is a top plan view thereof; and

FIG. 14 is a bottom plan view thereof.

FIG. 15 is a cross sectional view thereof cut along the line 15-15 of FIG. 9; and,

FIG. 16 is an enlarged cross sectional view thereof along the lines 16-16 of FIG. 15.

Broken lines illustrate unclaimed portions of the container for measuring electrical characteristics and form no part of the claimed design.

1 Claim, 8 Drawing Sheets

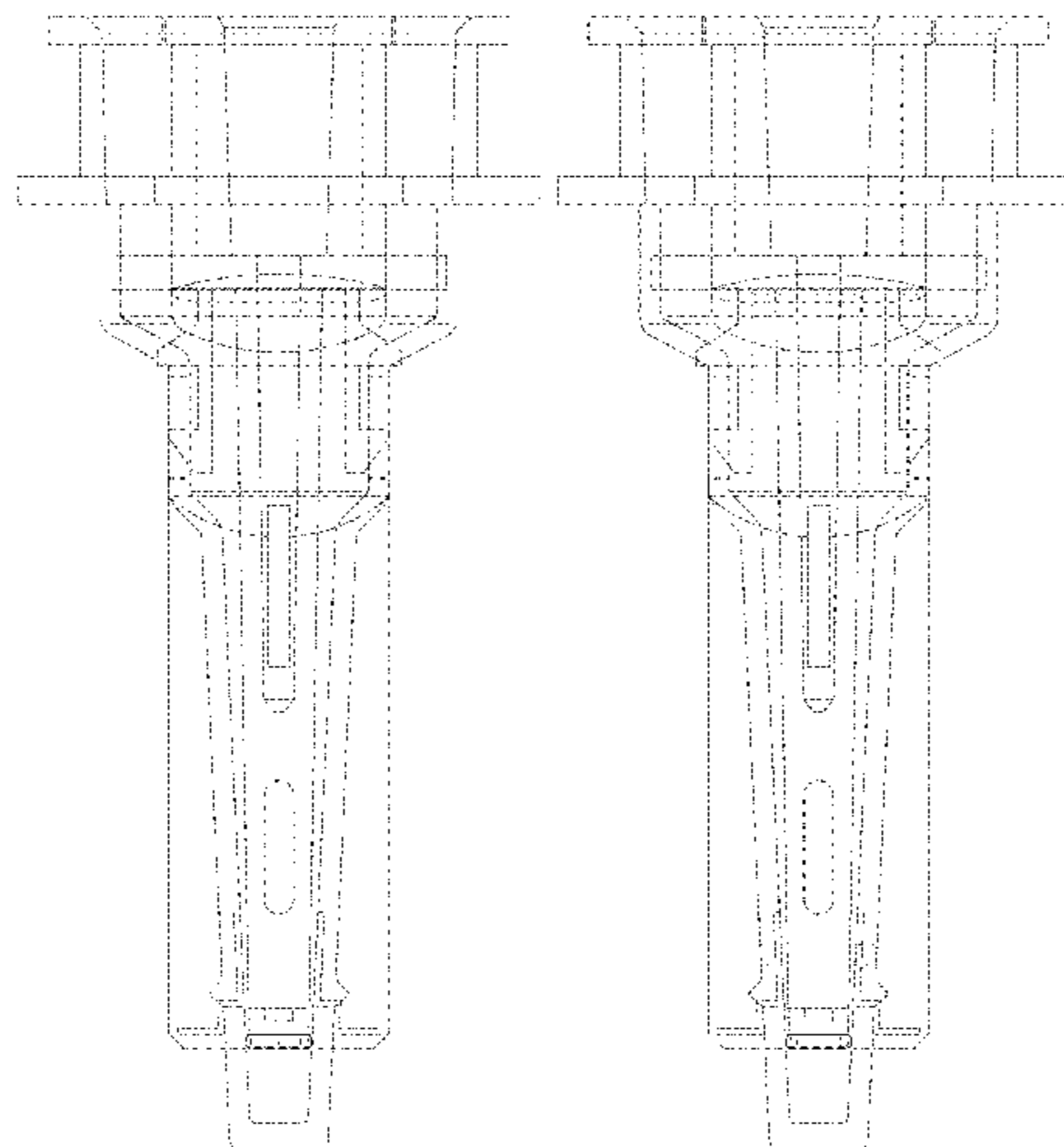


FIG.1

FIG.2

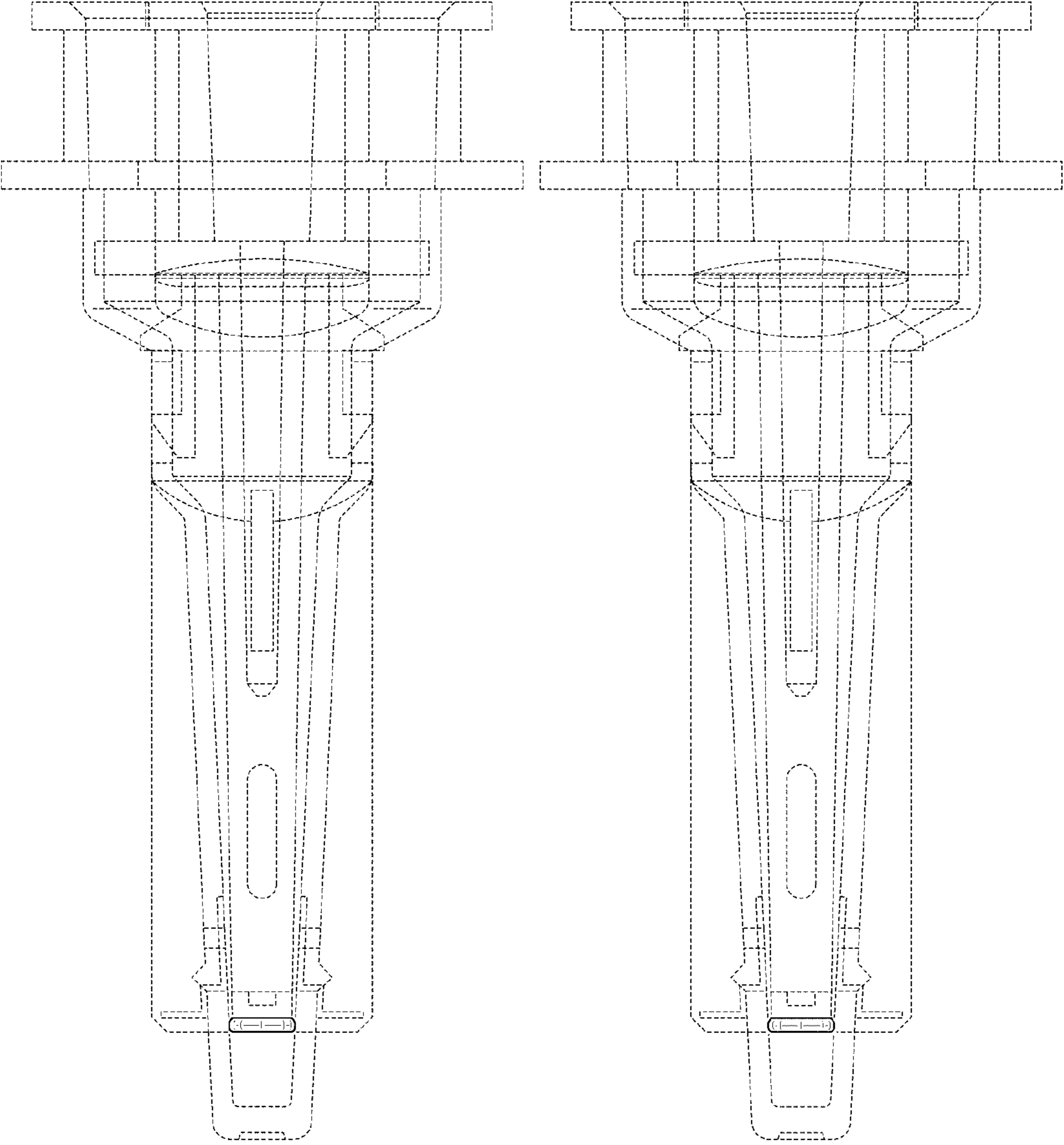


FIG.3

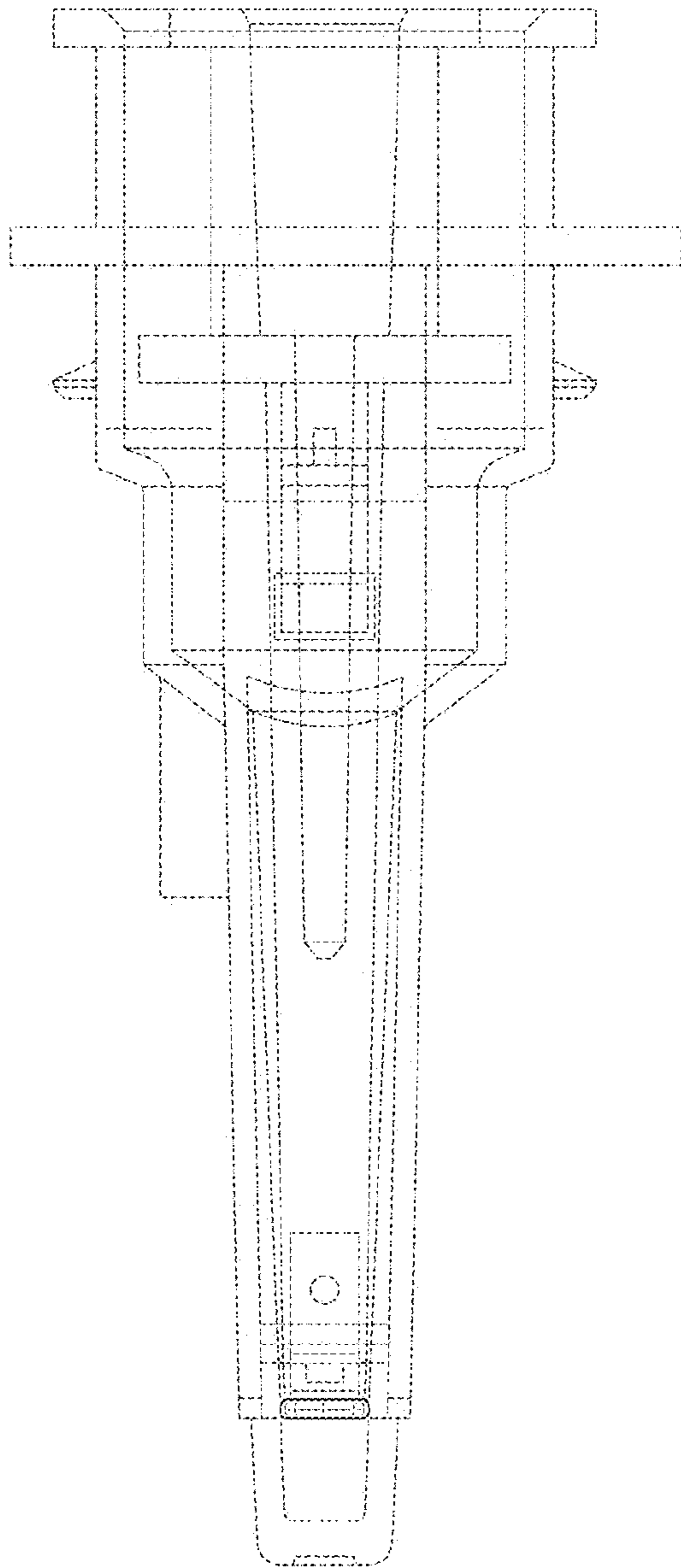


FIG.4

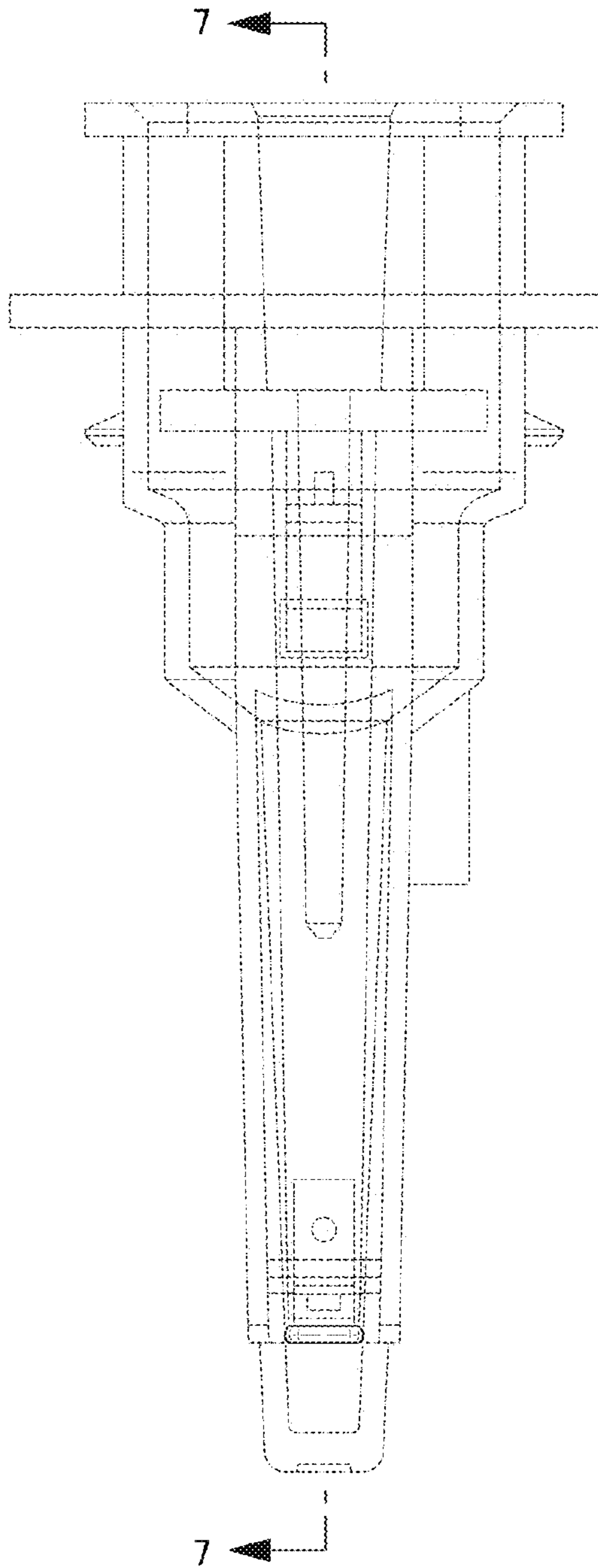


FIG.5

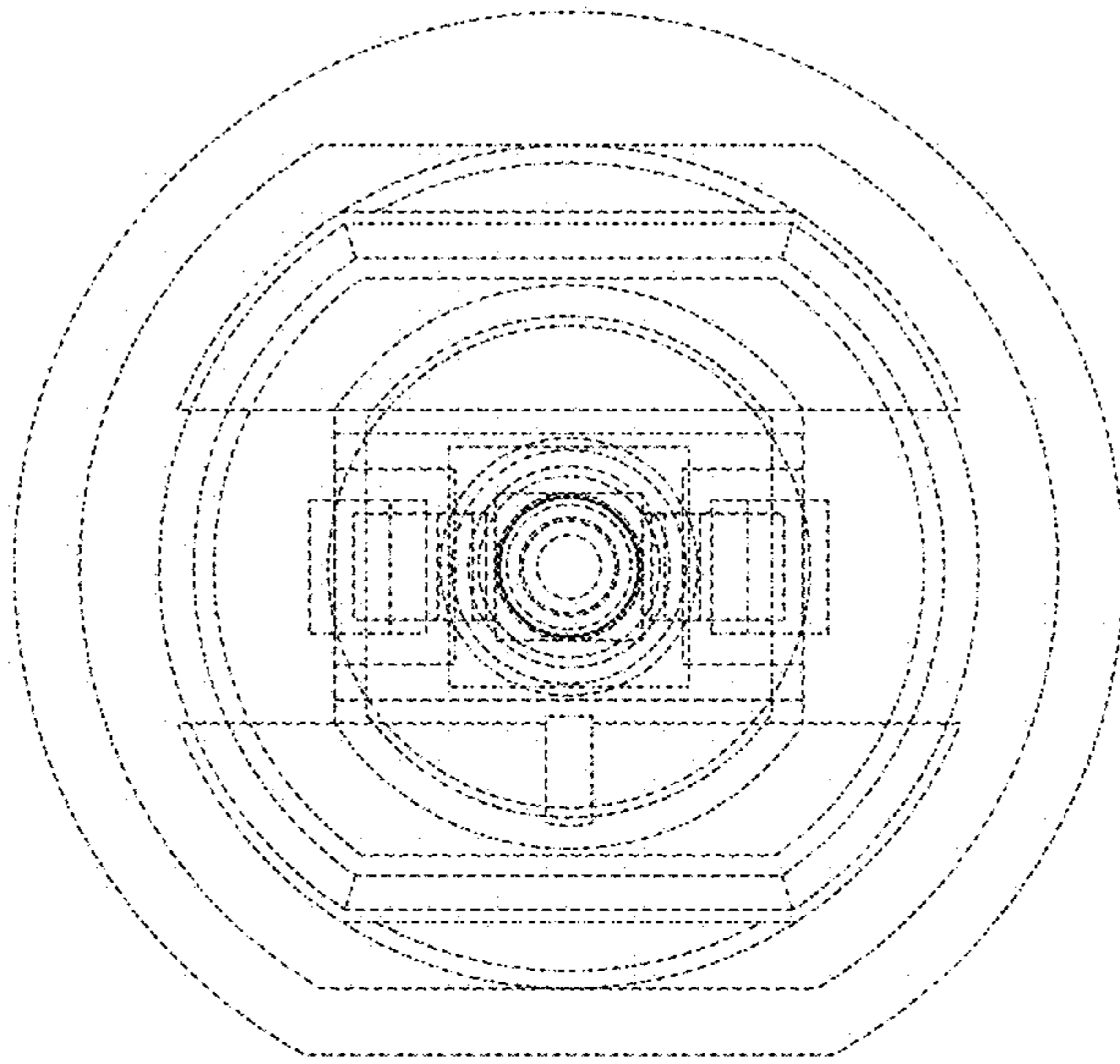


FIG.6

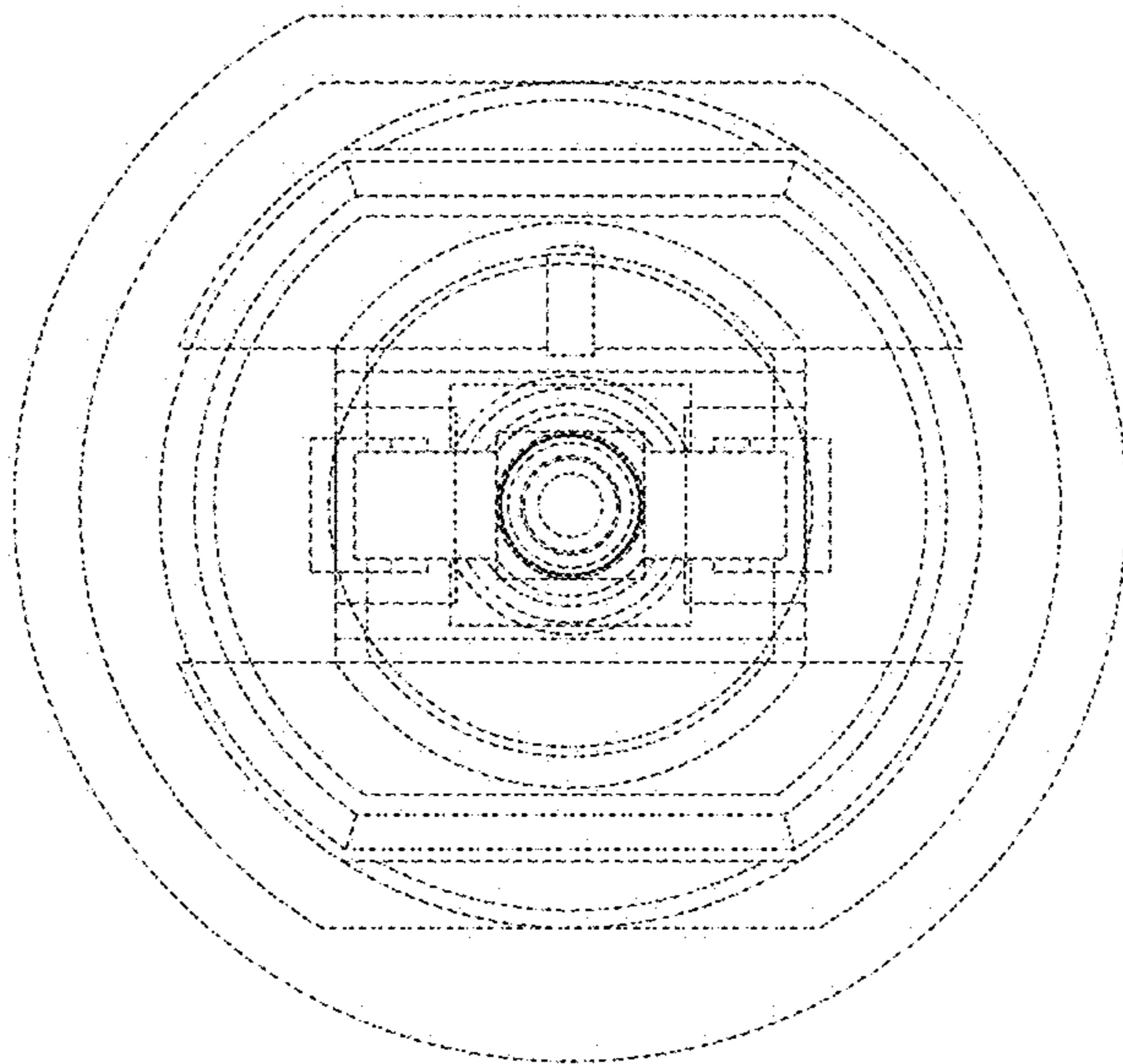


FIG.7

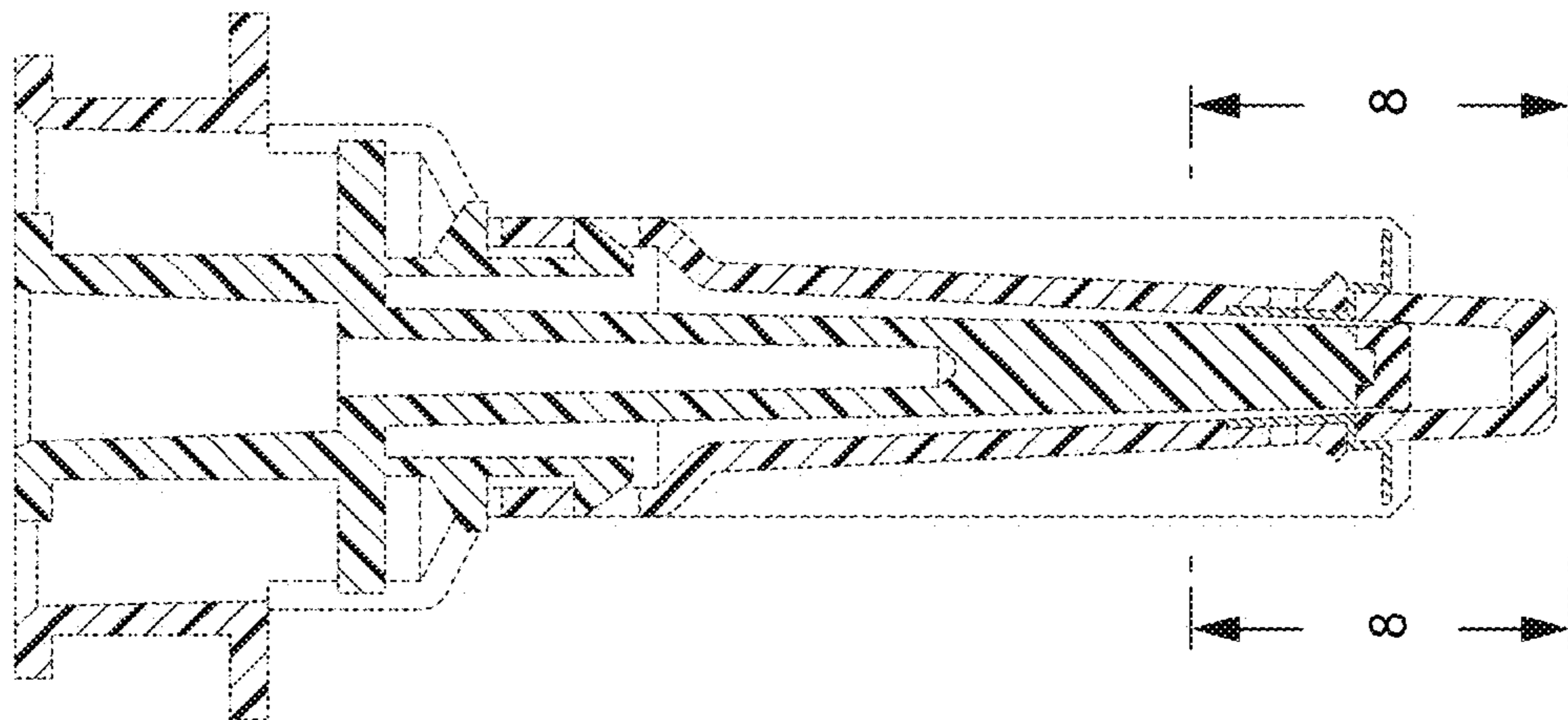


FIG.8

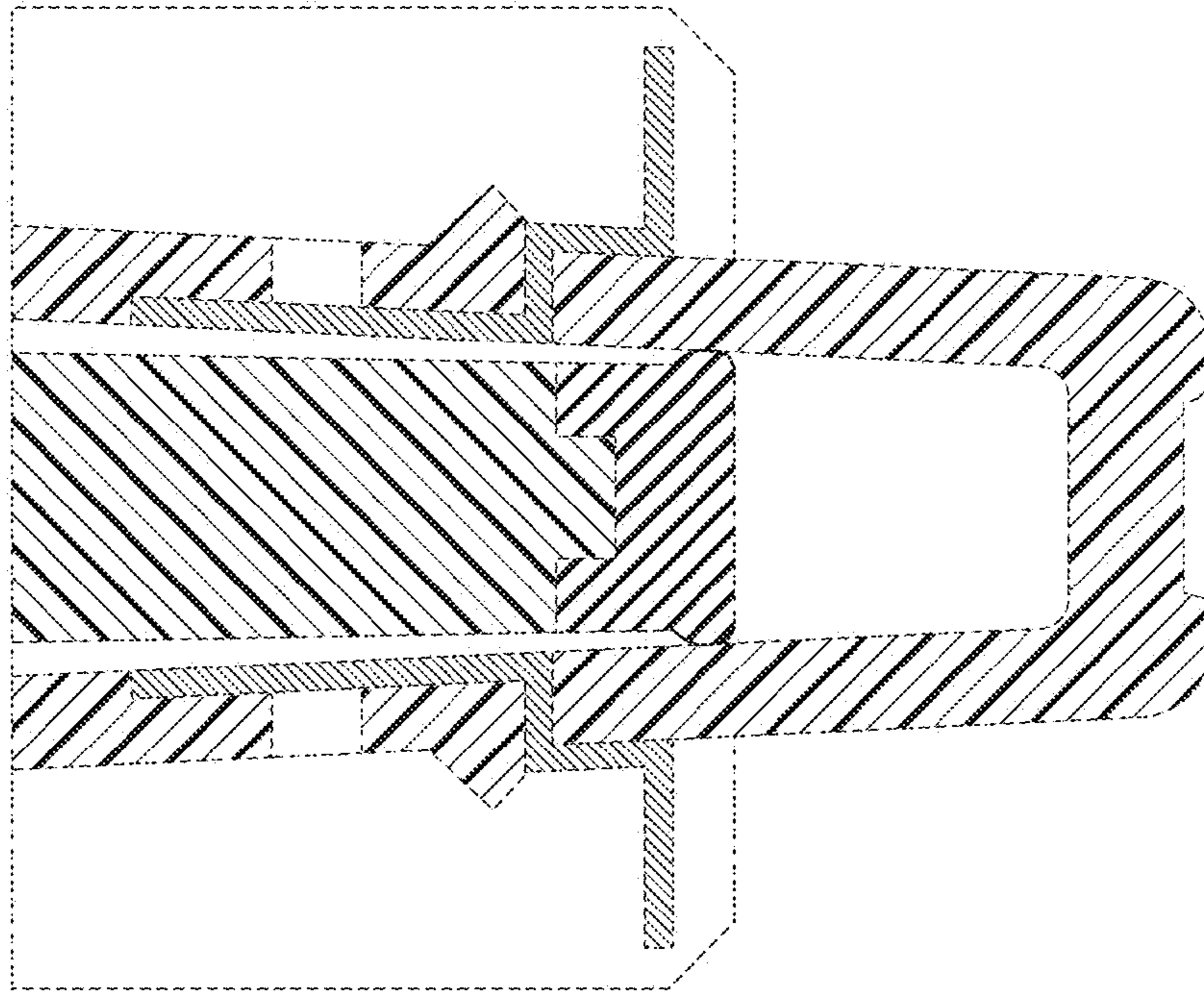


FIG.9

FIG.10

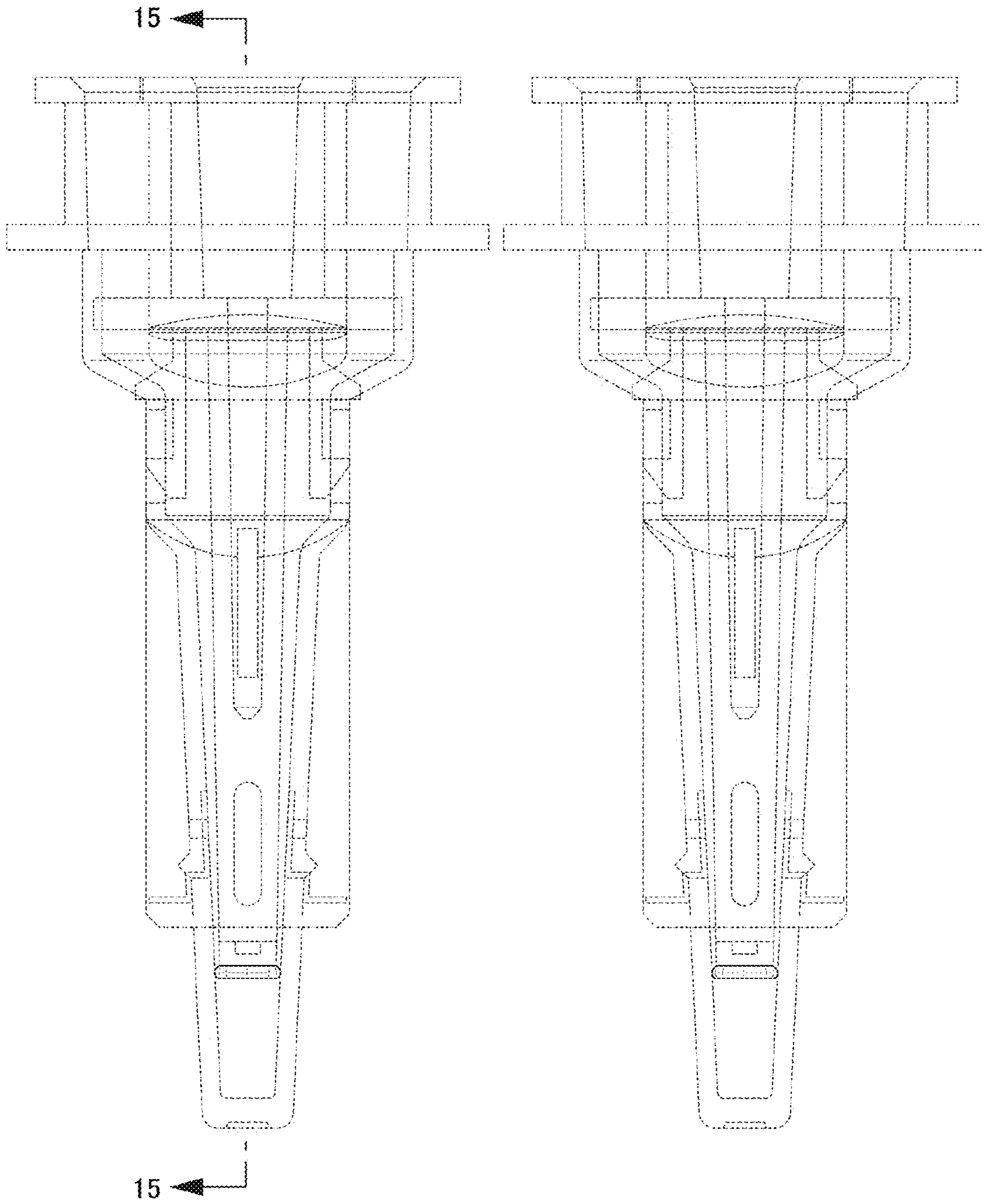


FIG.11

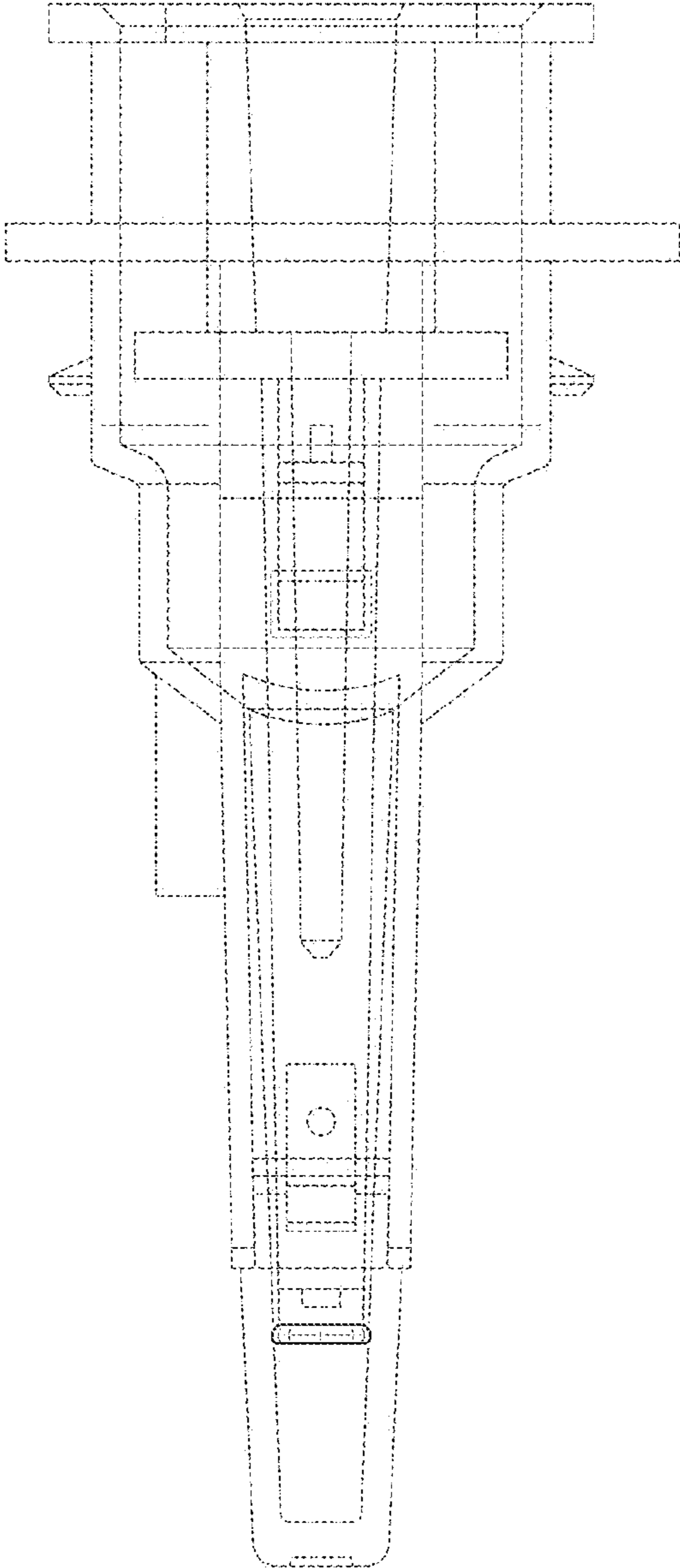


FIG.12

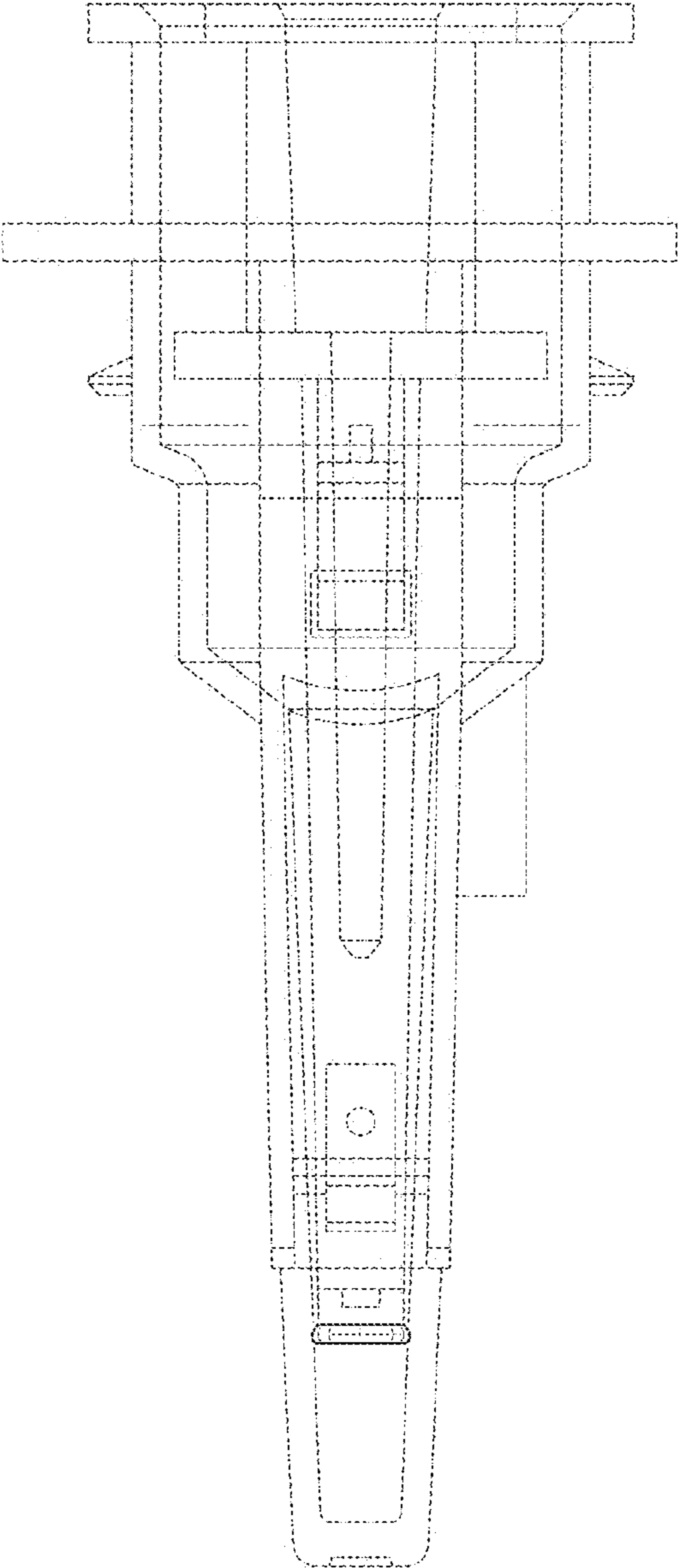


FIG.13

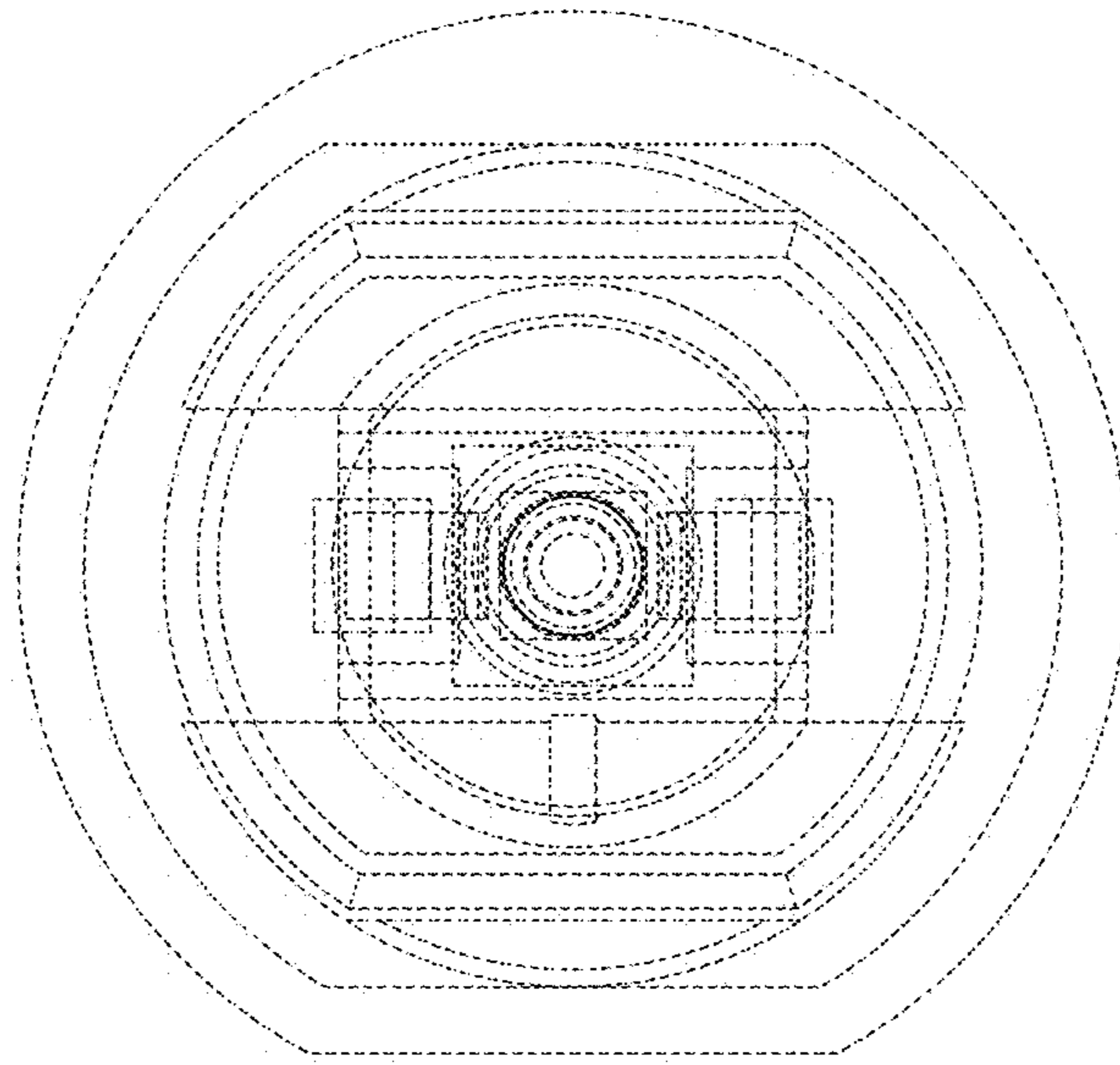


FIG.14

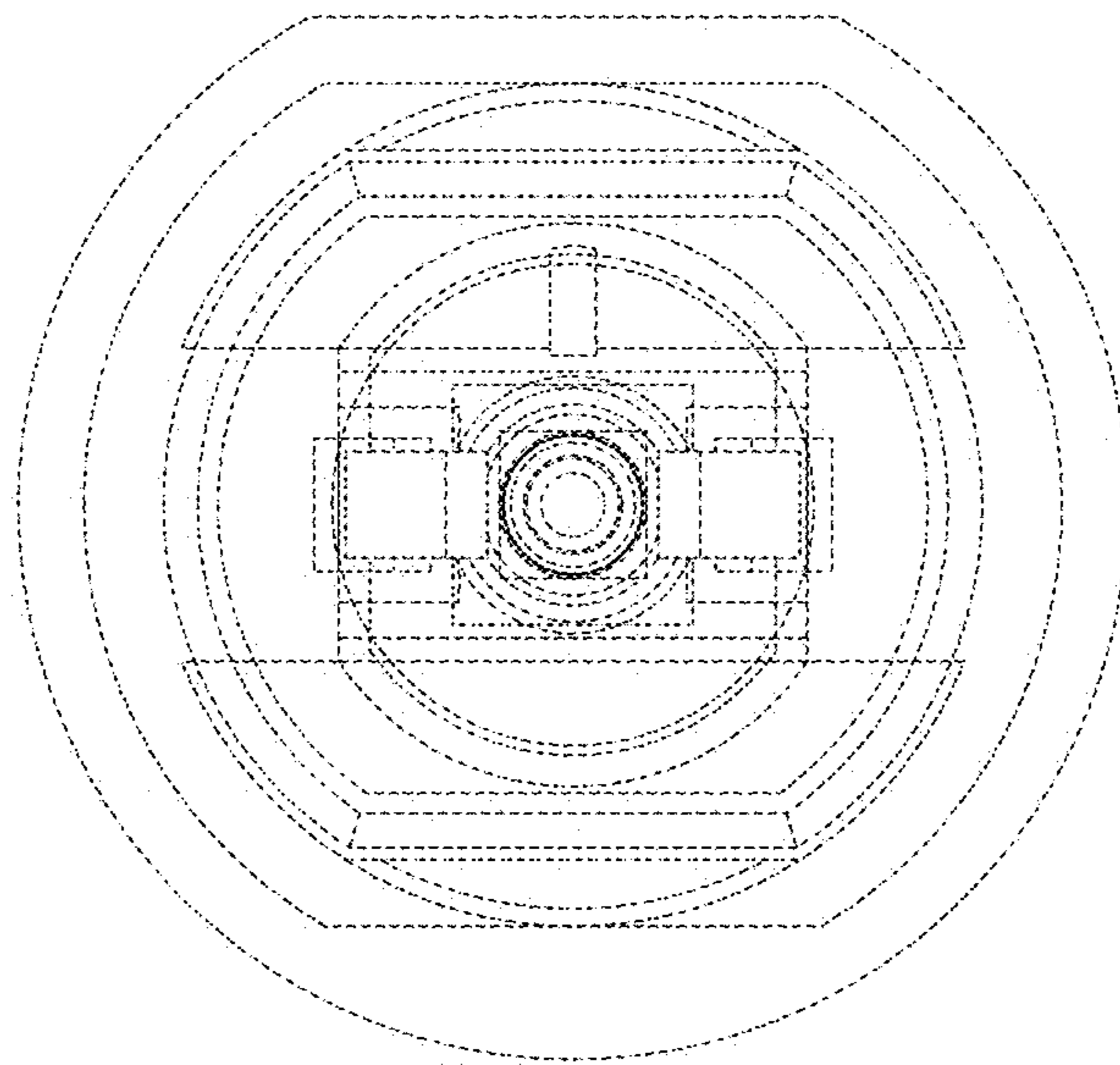


FIG.16

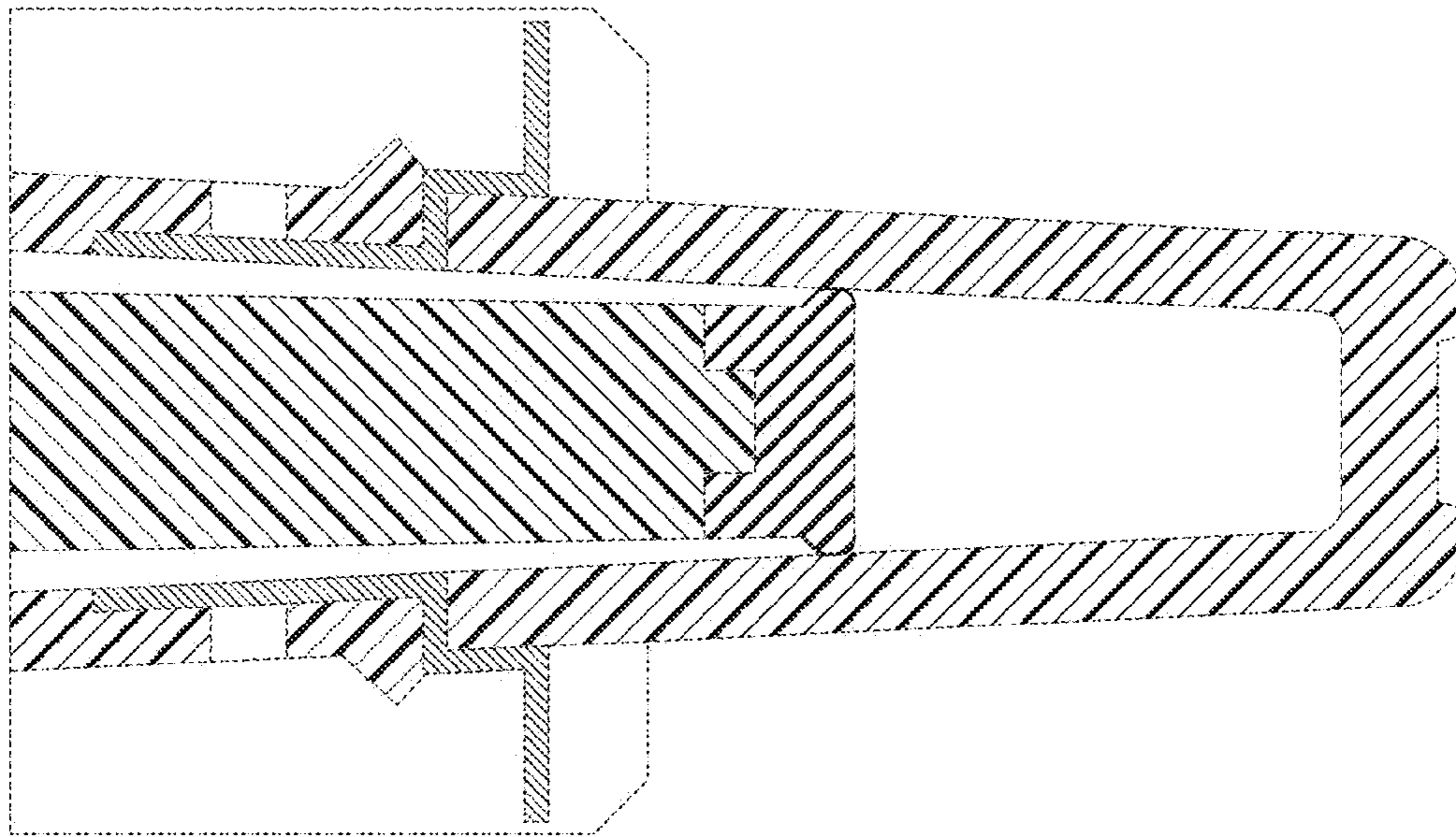


FIG.15

