



US00D770313S

(12) **United States Design Patent** (10) **Patent No.:** **US D770,313 S**
Turcotte (45) **Date of Patent:** **** Nov. 1, 2016**

(54) **FIRE PUMP DIGITAL OPERATOR INTERFACE**

- (71) Applicant: **TORNATECH INC.**, Montreal (CA)
 (72) Inventor: **Charles-Félix Turcotte**, Rosemère (CA)
 (73) Assignee: **TORNATECH INC.**, Montreal (CA)
 (**) Term: **15 Years**
 (21) Appl. No.: **29/532,718**
 (22) Filed: **Jul. 9, 2015**
 (51) **LOC (10) Cl.** **10-04**
 (52) **U.S. Cl.**
 USPC **D10/49; D10/52; D10/78**
 (58) **Field of Classification Search**
 USPC D10/49, 50, 52, 53, 78; D13/162, 162.1
 CPC A62C 37/36; A62C 37/38; A62C 37/40;
 A62C 37/42; A62C 37/44; A62C 37/46;
 A62C 37/48; A62C 37/50; A62C 25/00;
 F04B 17/05; F04B 17/06; F04B 49/065;
 F04B 49/10; F04B 53/16; Y10T 137/0379;
 Y10T 307/779

See application file for complete search history.

(56) **References Cited**

U.S. PATENT DOCUMENTS

| | | | | |
|----------------|--------|-----------|-------|----------------------------|
| D366,220 S * | 1/1996 | Sakamoto | | D10/65 |
| D726,047 S * | 4/2015 | Laurino | | D10/78 |
| 9,004,117 B2 * | 4/2015 | Stansbury | | F04B 35/06 141/198 |
| 9,004,886 B2 * | 4/2015 | Beck | | F04B 43/0081 417/423.14 |

* cited by examiner

Primary Examiner — Antoine D Davis

(74) *Attorney, Agent, or Firm* — Gonzalo Lavin

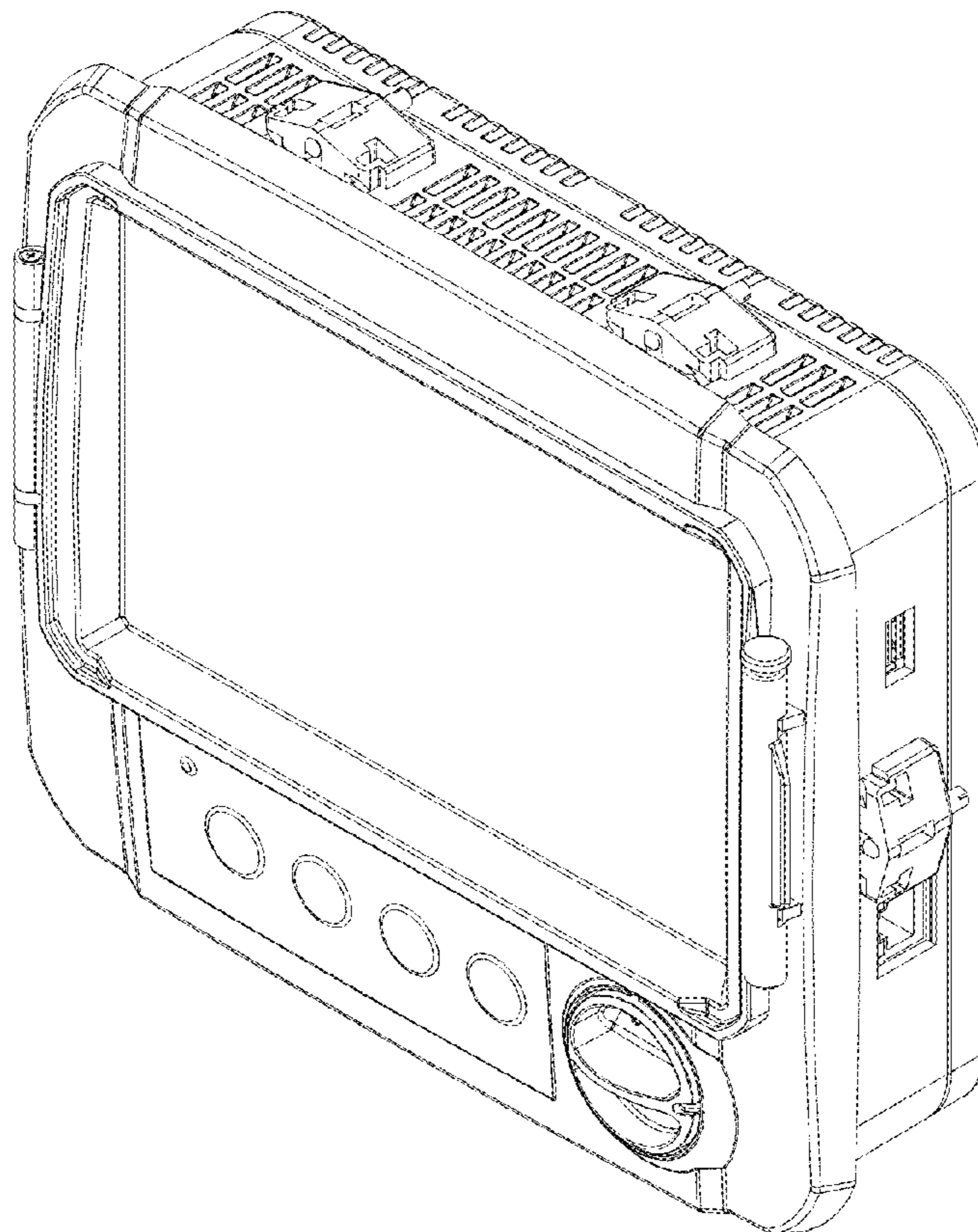
(57) **CLAIM**

The ornamental design for an “fire pump digital operator interface”, as shown and described.

DESCRIPTION

FIG. 1 is a perspective view of a fire pump digital operator interface;
 FIG. 2 is a front view thereof;
 FIG. 3 is a top plan view thereof;
 FIG. 4 is a right side view thereof;
 FIG. 5 is a left side view thereof;
 FIG. 6 is a bottom view thereof; and,
 FIG. 7 is a back view thereof.

1 Claim, 4 Drawing Sheets



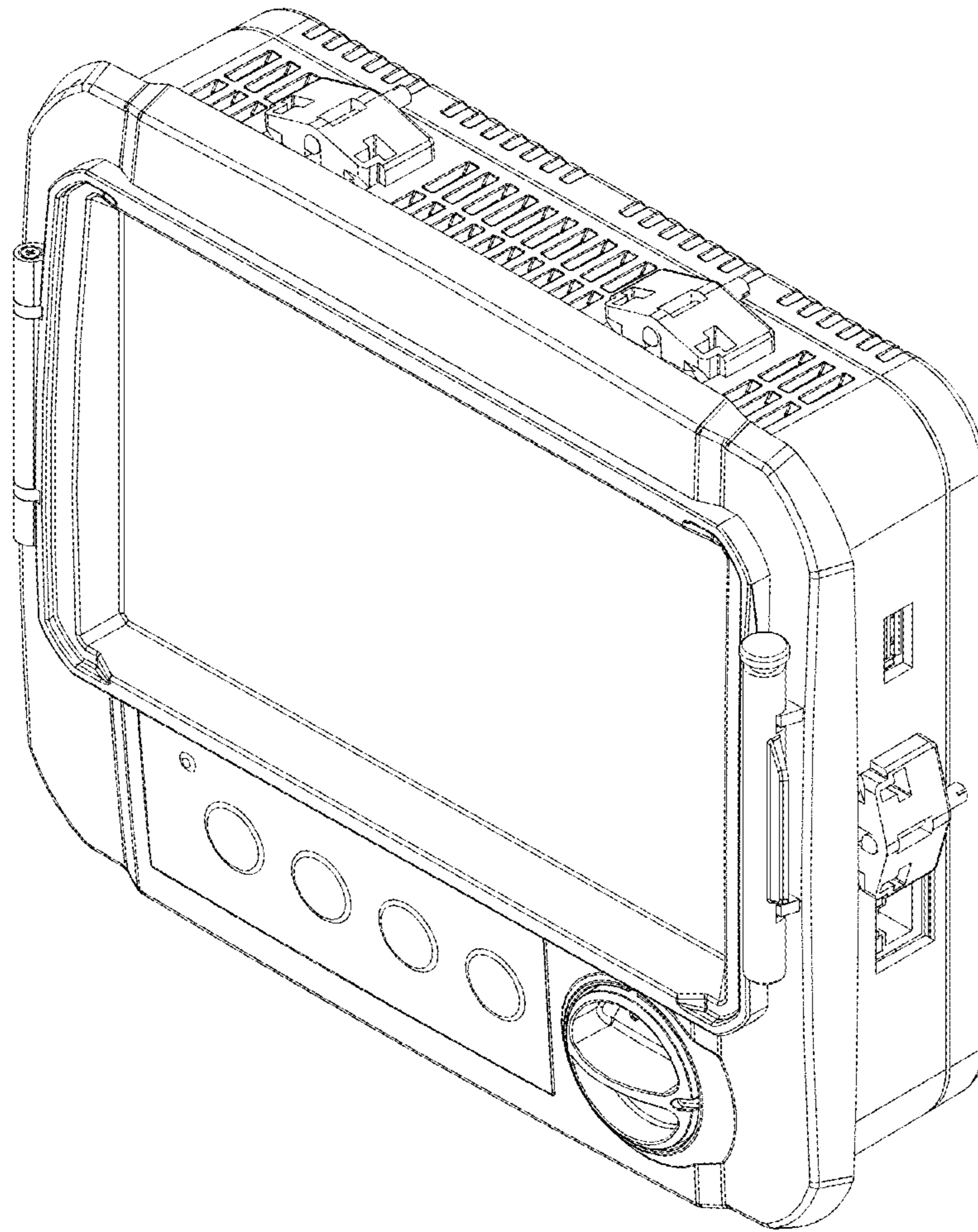


FIG. 1

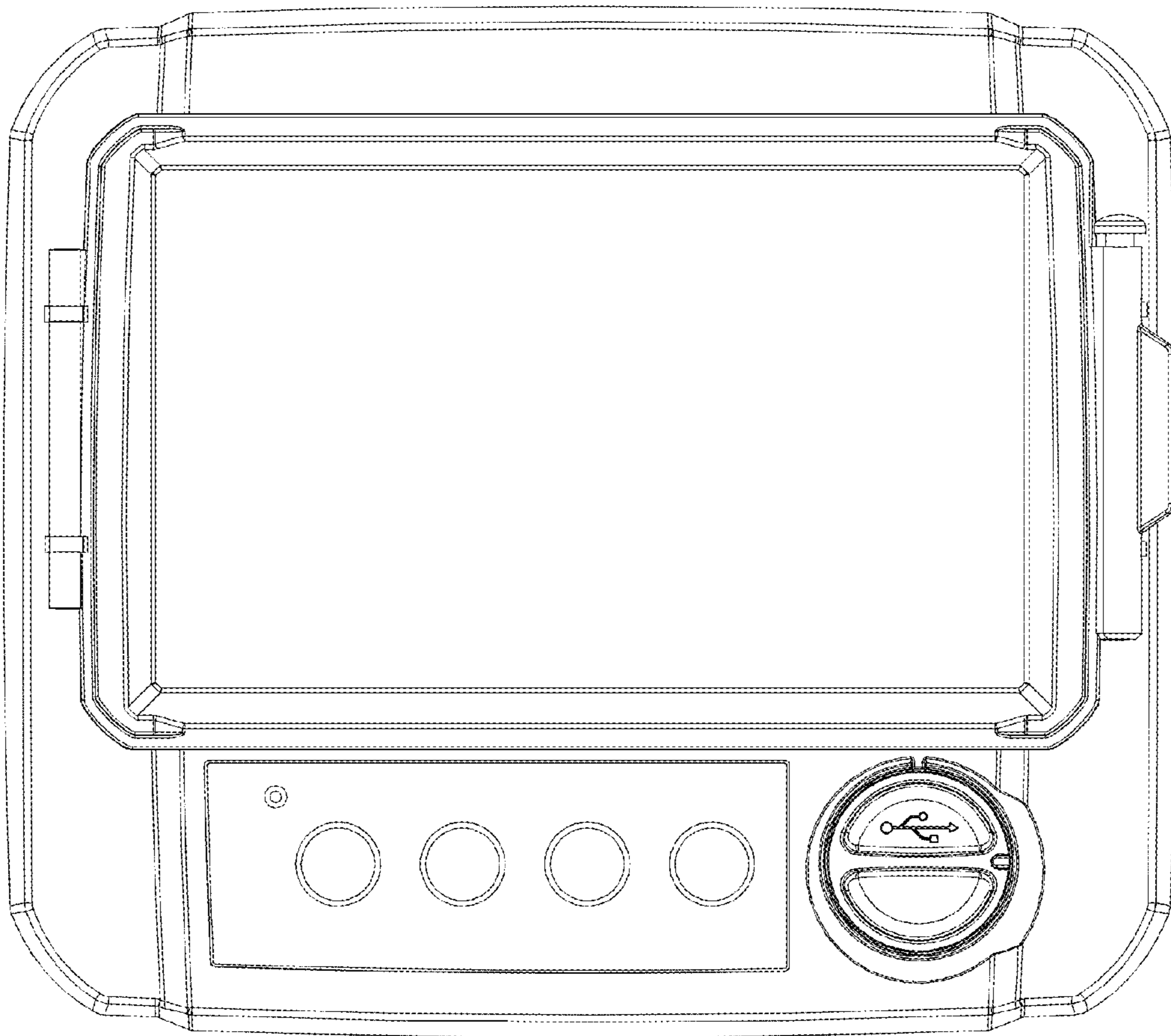


FIG. 2

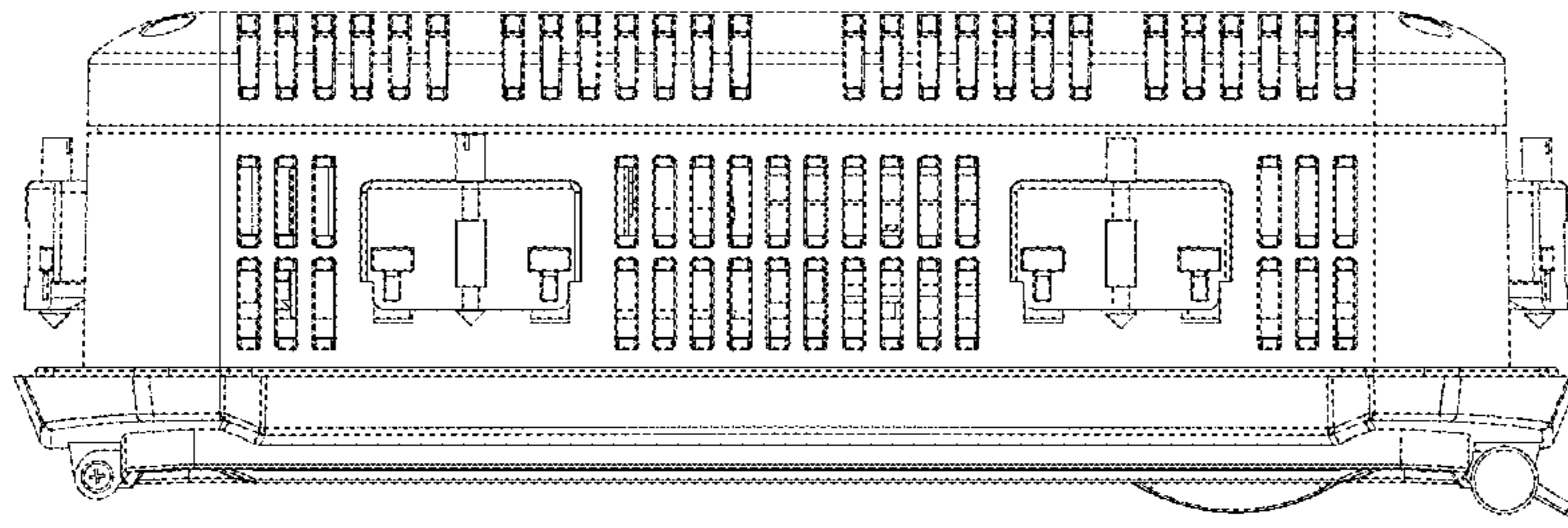


FIG. 3

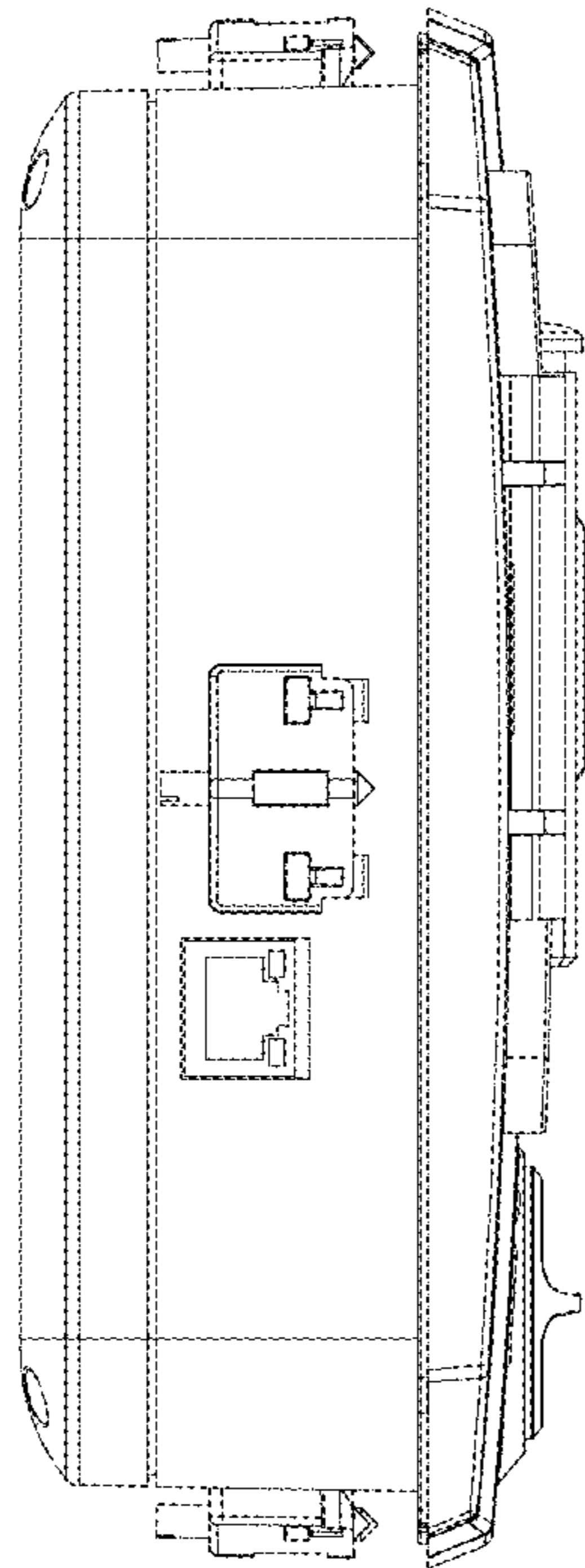


FIG. 4

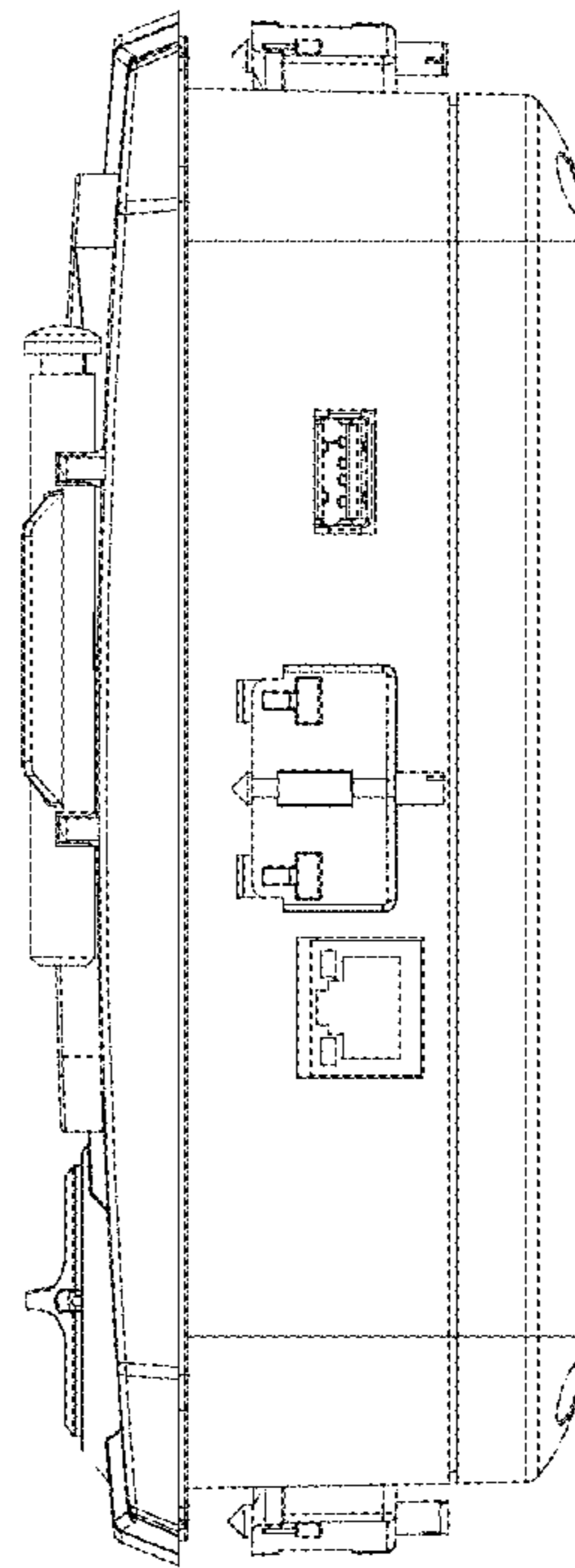


FIG. 5

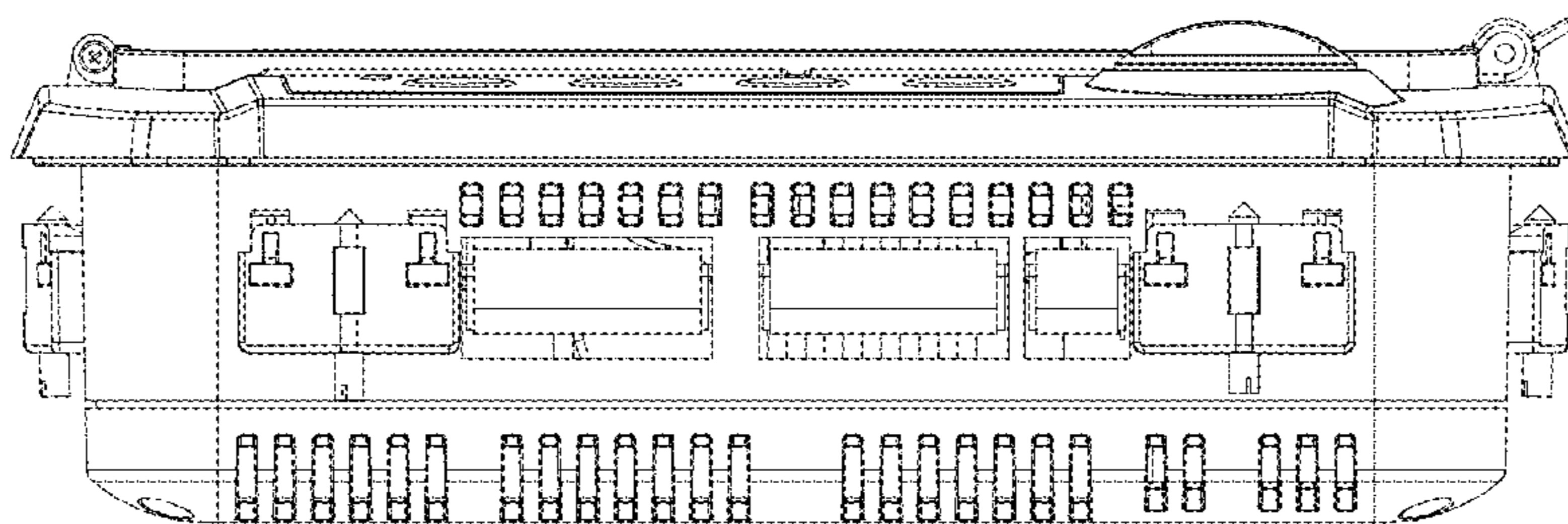


FIG. 6

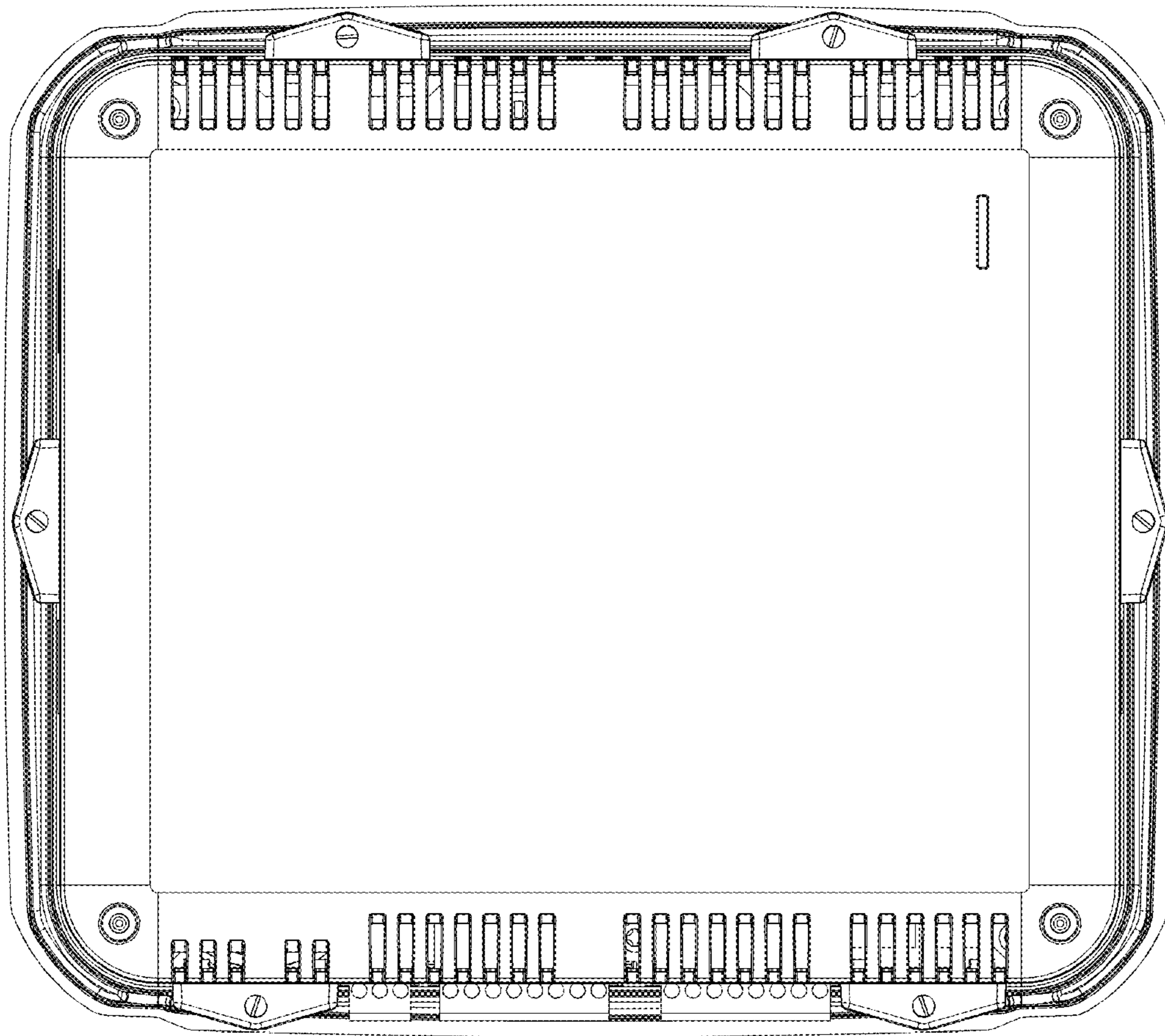


FIG. 7