



US00D770312S

(12) **United States Design Patent** (10) **Patent No.:** **US D770,312 S**
Puzder et al. (45) **Date of Patent:** **** Nov. 1, 2016**

(54) **MINIATURE SCOREBOARD**
(71) Applicants: **Michael Adam Puzder**, Alliston (CA);
Steve Koenig, Palgrave (CA)
(72) Inventors: **Michael Adam Puzder**, Alliston (CA);
Steve Koenig, Palgrave (CA)

(**) Term: **15 Years**

(21) Appl. No.: **29/532,323**

(22) Filed: **Jul. 6, 2015**

(51) **LOC (10) Cl.** **21-01**

(52) **U.S. Cl.**
USPC **D10/46.1**

(58) **Field of Classification Search**
USPC D10/46, 46.1; 235/1 B; 116/222-225,
116/279, 280, DIG. 35; 273/281, 282.1,
273/287, 236, 148 A; 40/606.16, 617, 618;
D21/302, 307
CPC A63B 71/06; G09F 9/00; G09F 15/00;
G09F 17/00
See application file for complete search history.

(56) **References Cited**

U.S. PATENT DOCUMENTS

3,254,433 A * 6/1966 Saile, Jr. A63B 71/06
235/103
D281,797 S * 12/1985 Tong D10/46.1

D366,428 S * 1/1996 Halse D10/46.1
7,431,590 B2 * 10/2008 Gerhardt A63F 9/0641
434/247
D621,286 S * 8/2010 Liao D10/46.1
D632,595 S * 2/2011 McCormick D10/46.1
7,895,781 B2 * 3/2011 Gaetano A63B 71/0619
40/488
D696,146 S * 12/2013 Iler D10/46.1
D711,256 S * 8/2014 Todd, III D10/46.1
9,011,262 B2 * 4/2015 Peng A63D 15/003
473/28
D751,425 S * 3/2016 Iler D10/46.1

* cited by examiner

Primary Examiner — Prabhakar Deshmukh

(74) *Attorney, Agent, or Firm* — Perry + Currier Inc.

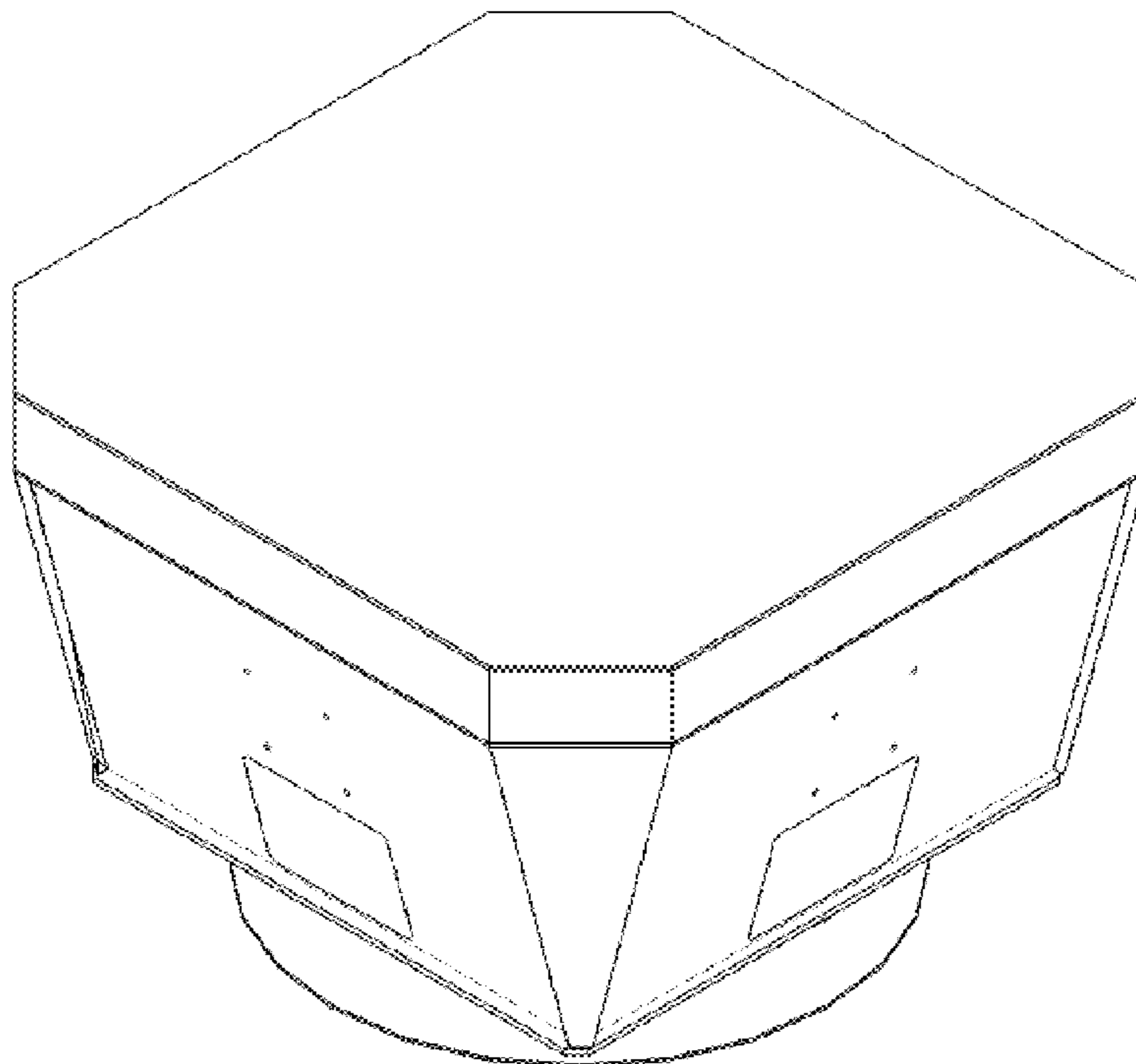
(57) **CLAIM**

The ornamental design for a miniature scoreboard, as shown and described.

DESCRIPTION

FIG. 1 is a perspective view of a miniature scoreboard showing our new design;
FIG. 2 is a front elevational view thereof, the rear elevational view being a mirror image thereof;
FIG. 3 is a top plan view thereof; and
FIG. 4 is a bottom plan view thereof; and,
FIG. 5 is a perspective view thereof, with the top cover removed.

1 Claim, 5 Drawing Sheets



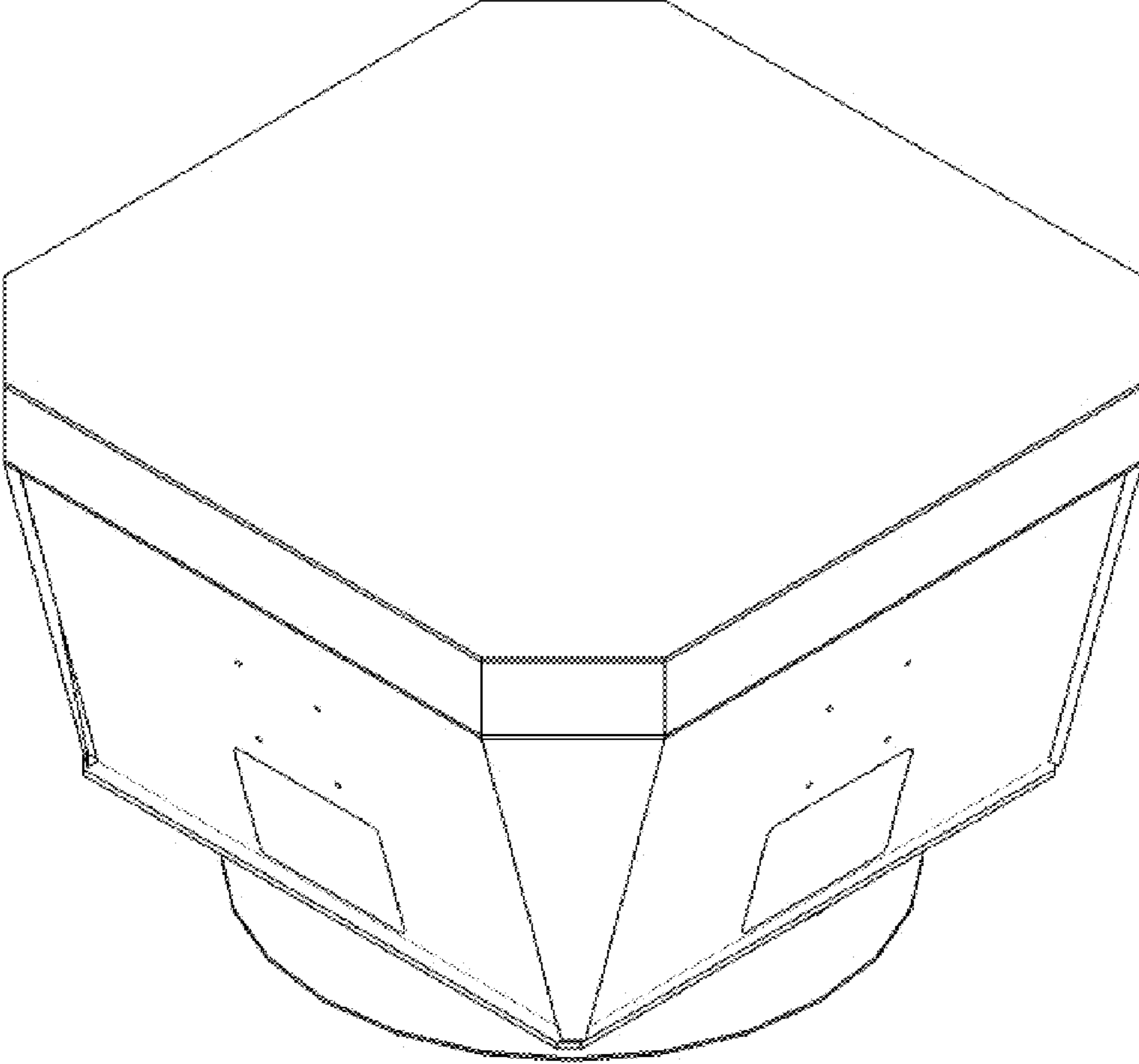


FIG. 1

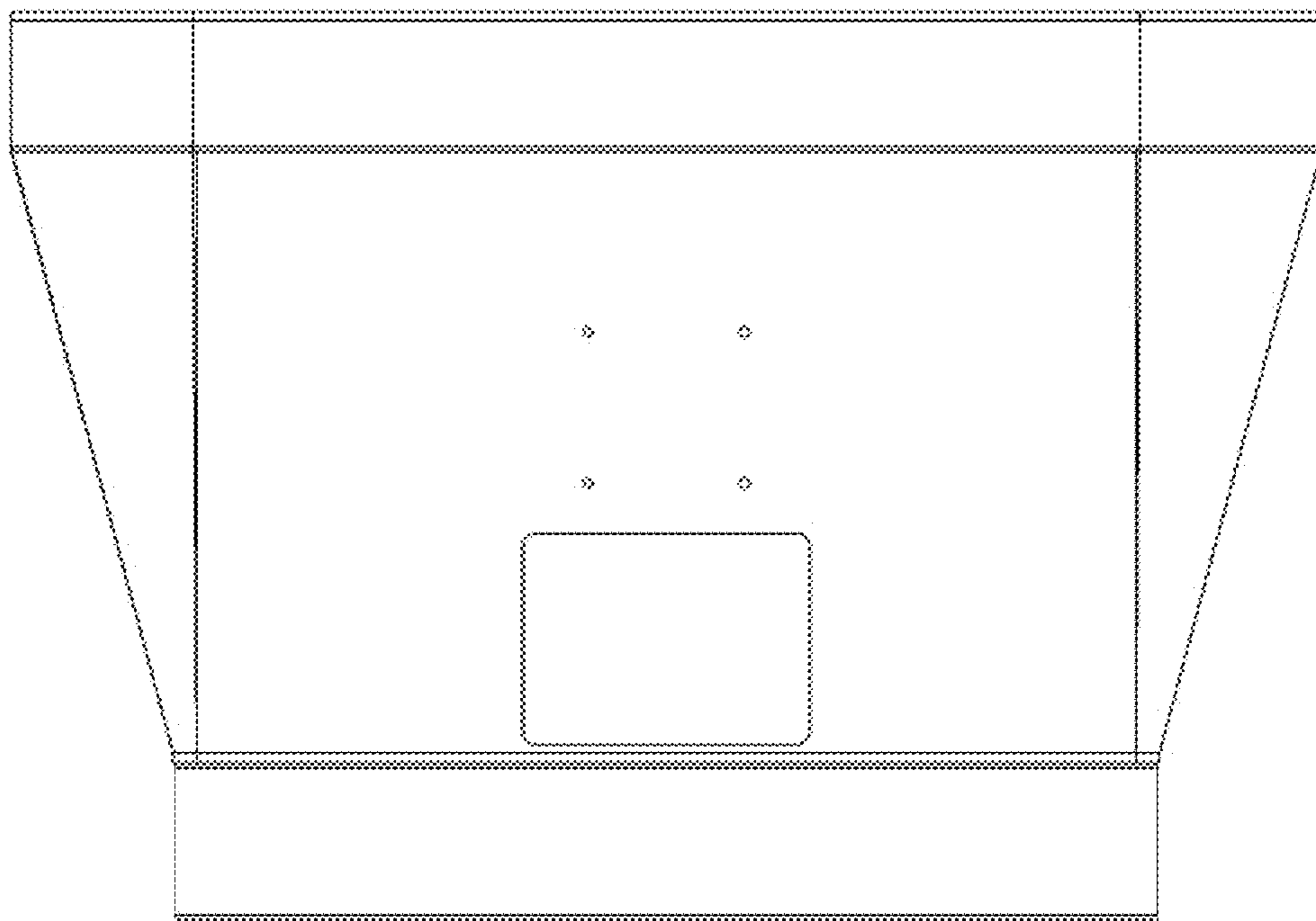


FIG. 2

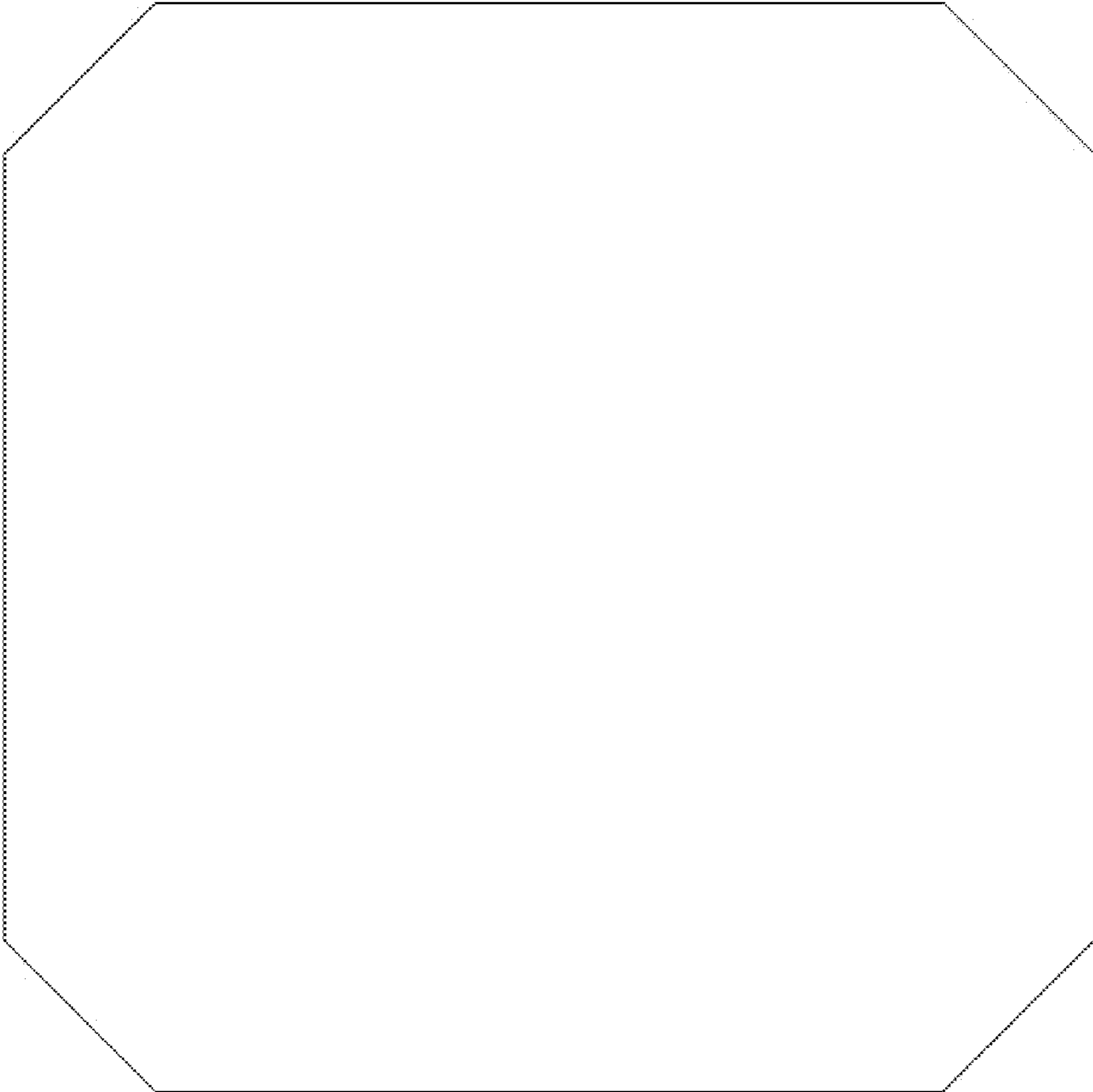


FIG. 3

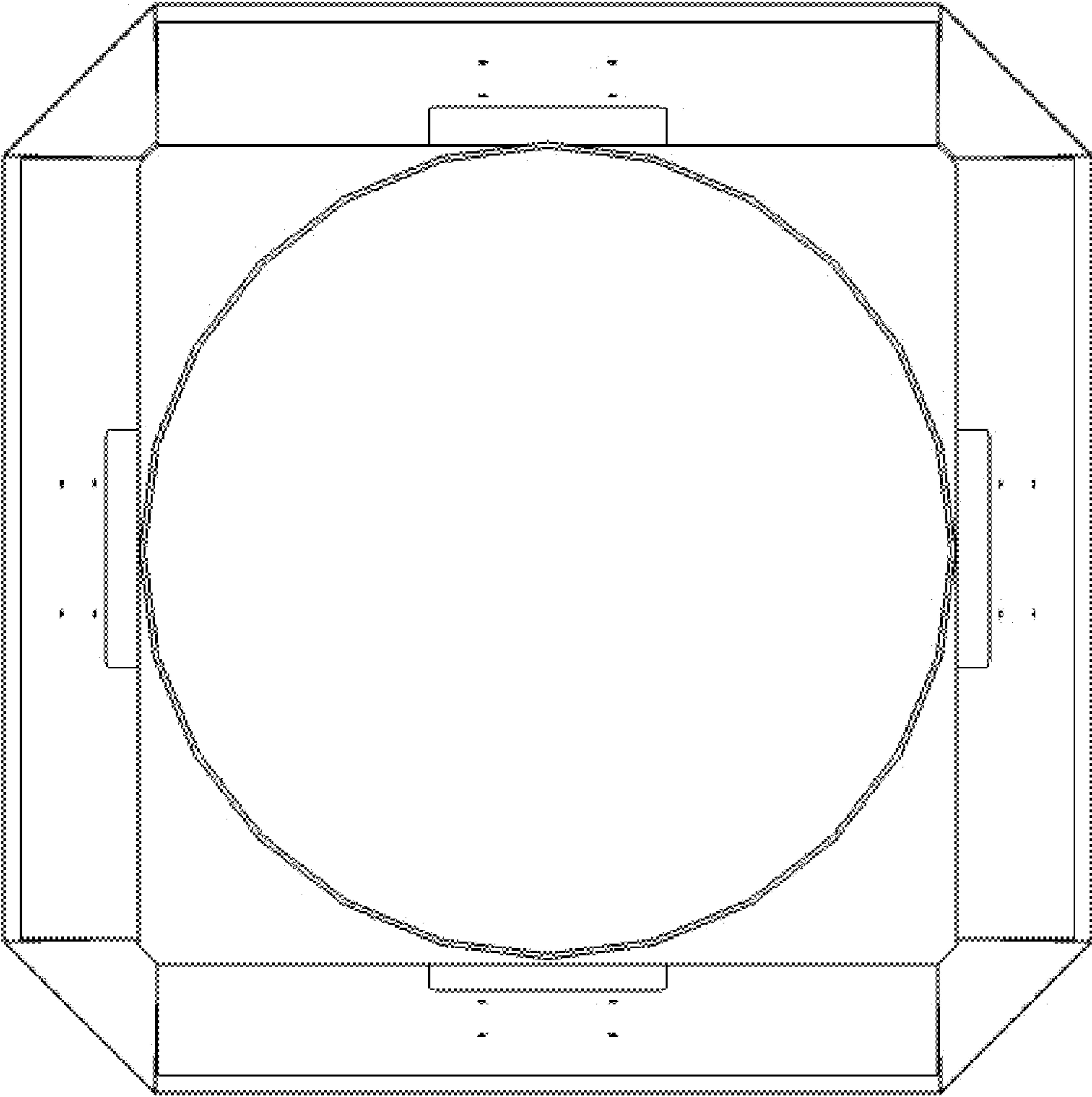


FIG. 4

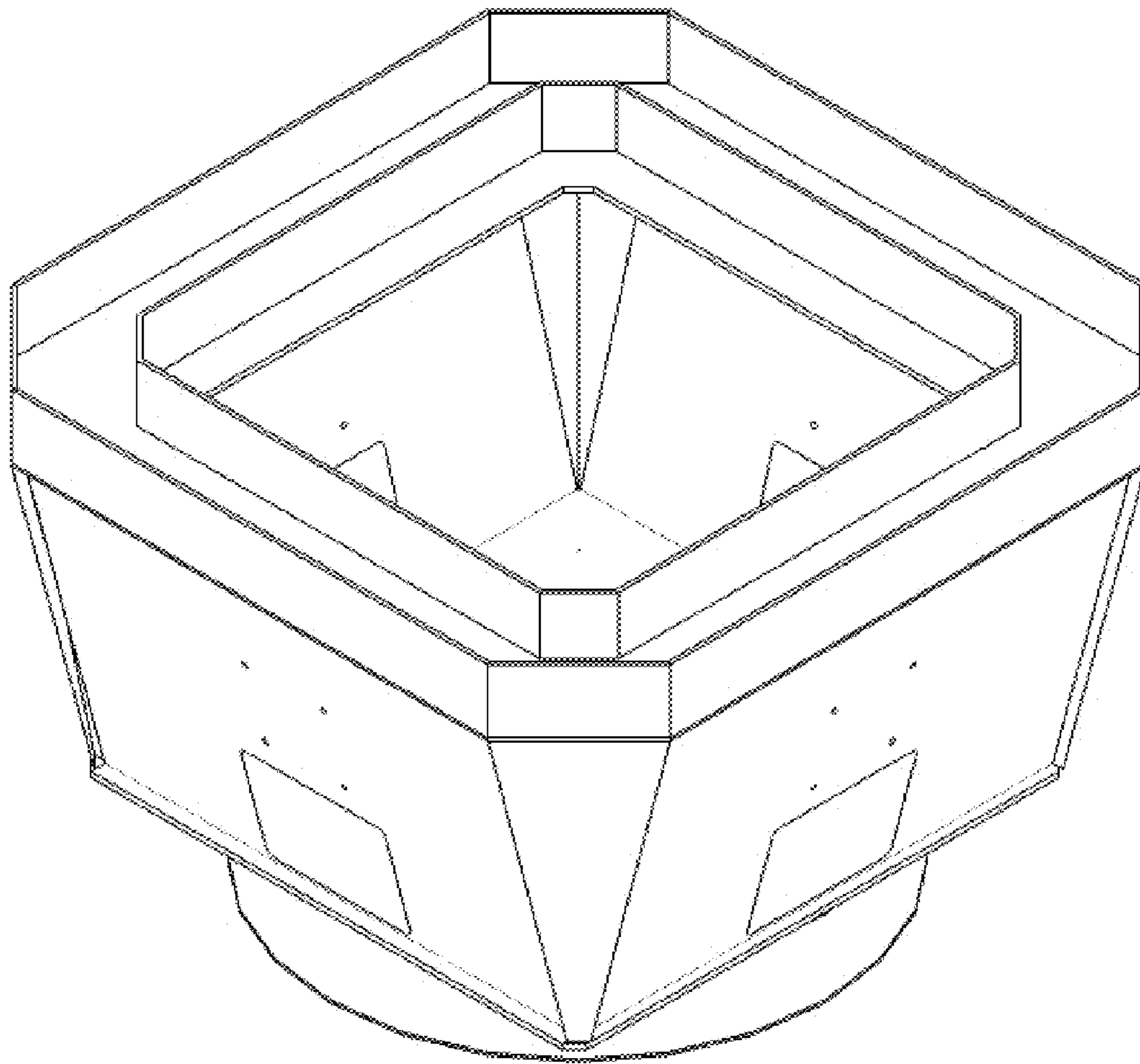


FIG. 5