



US00D770311S

(12) **United States Design Patent** (10) **Patent No.:** **US D770,311 S**  
**Ericksen et al.** (45) **Date of Patent:** **\*\* Nov. 1, 2016**

(54) **TIMER**

(56) **References Cited**

(71) Applicant: **Orbit Irrigation Products, Inc.**, North Salt Lake, UT (US)

U.S. PATENT DOCUMENTS

(72) Inventors: **Kent C. Ericksen**, Centerville, UT (US); **Stuart Eyring**, Bountiful, UT (US); **Karl L. Connolly**, Bountiful, UT (US); **Jeffrey C. Thurgood**, Severance, CO (US); **Alan T. Ence**, Fruit Heights, UT (US)

D53,726 S 8/1919 Joseph Berge  
1,841,369 A 6/1932 Freeman  
1,865,965 A 7/1932 Ruiz  
D191,294 S 9/1961 Charnota et al.  
3,643,303 A 2/1972 Kanarek  
4,562,865 A 1/1986 Lemkin et al.  
D282,446 S 2/1986 Gremonprez et al.  
D295,778 S 5/1988 Bruninga et al.

(Continued)

(73) Assignee: **Orbit Irrigation Products, Inc.**, North Salt Lake, UT (US)

OTHER PUBLICATIONS

(\*\*) Term: **15 Years**

Orbit Irrigation Products, Inc., The product(s) shown in attachment 1 were sold or offered for sale by Orbit Irrigation Products, Inc., on or before Nov. 2008.

(21) Appl. No.: **29/532,141**

(Continued)

(22) Filed: **Jul. 1, 2015**

*Primary Examiner* — Martie K Holtje  
(74) *Attorney, Agent, or Firm* — Austin Rapp & Hardman

**Related U.S. Application Data**

(60) Continuation of application No. 29/500,449, filed on Aug. 25, 2014, now Pat. No. Des. 736,104, which is a division of application No. 29/450,680, filed on Mar. 20, 2013, now Pat. No. Des. 713,271.

(51) **LOC (10) Cl.** ..... **10-03**

(52) **U.S. Cl.**  
USPC ..... **D10/40**

(58) **Field of Classification Search**  
USPC ..... D10/40; D23/245, 246  
CPC .... A01G 25/00; A01G 25/16; A01G 25/165;  
B05B 12/00; B05B 12/02; F16K 31/48;  
G05D 7/00; G05D 7/06; G05D 7/0635;  
G04F 3/00; G04F 3/02

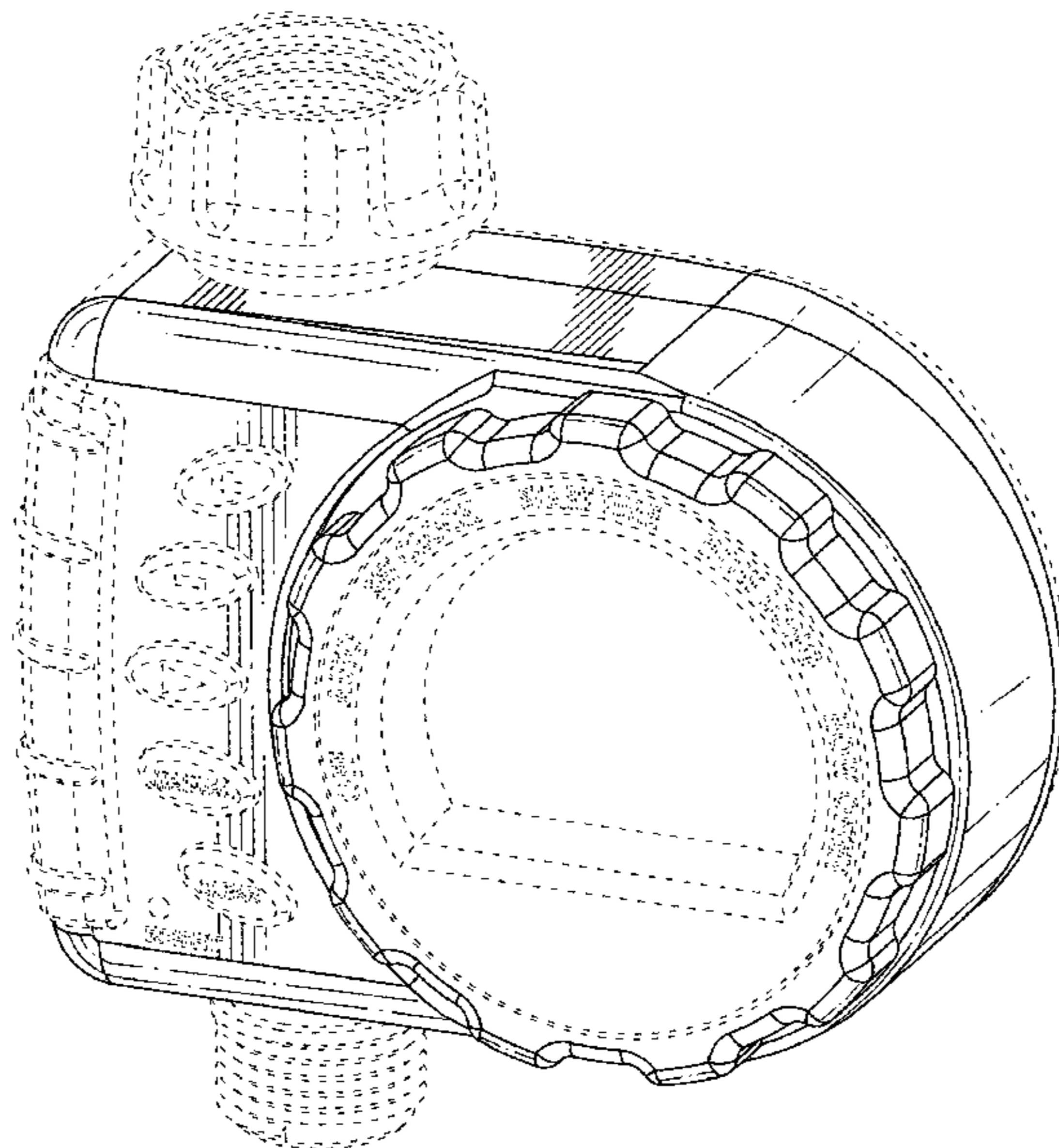
See application file for complete search history.

(57) **CLAIM**  
The ornamental design for a timer, as shown and described.

**DESCRIPTION**

FIG. 1 is an elevated perspective view of a timer according to our new design;  
FIG. 2 is a front view of the timer shown in FIG. 1;  
FIG. 3 is a rear view of the timer shown in FIG. 1;  
FIG. 4 is a top view of the timer shown in FIG. 1;  
FIG. 5 is a bottom view of the timer shown in FIG. 1;  
FIG. 6 is a first side view of the timer shown in FIG. 1; and,  
FIG. 7 is a second side view of the timer shown in FIG. 1.  
The portions of the timer shown in broken lines form no part of the claimed design. Any empty region surrounded by broken lines is also unclaimed, inclusive of the broken line itself.

**1 Claim, 7 Drawing Sheets**





(56)

References Cited

U.S. PATENT DOCUMENTS

4,807,664	A	2/1989	Wilson et al.	
D309,175	S	7/1990	Hastings et al.	
4,951,204	A	8/1990	Mylne, III	
5,135,168	A	8/1992	Wang	
5,262,936	A	11/1993	Faris et al.	
D365,771	S	1/1996	Clivio	
D386,985	S	12/1997	Cameron	
D388,818	S	1/1998	Bajic et al.	
D400,568	S	11/1998	Jacobi, Jr. et al.	
D427,085	S	6/2000	Steinhagen	
D450,604	S	11/2001	Stekelenburg	
D452,695	S	1/2002	Miller	
D467,187	S	12/2002	Clivio	
D467,821	S	12/2002	Ogawa	
D476,240	S	6/2003	Kuramochi et al.	
D485,502	S	1/2004	Clivio	
D507,243	S	7/2005	Miller	
7,225,057	B2	5/2007	Froman et al.	
7,252,113	B2	8/2007	Jacobs et al.	
7,404,415	B2	7/2008	Jacobs et al.	
D582,797	S	12/2008	Fraser et al.	
D636,278	S	4/2011	Franchini	
D643,755	S	8/2011	Nies et al.	
D647,411	S	10/2011	Barton et al.	
D657,263	S	4/2012	Nies et al.	
D657,264	S	4/2012	Nies et al.	
8,160,750	B2	4/2012	Weiler	
D658,519	S	5/2012	Connolly et al.	
D659,029	S	5/2012	Connolly et al.	
8,251,300	B2	8/2012	Wilson	
D679,259	S	4/2013	Franchini	
D679,260	S	4/2013	Franchini	
D682,714	S	5/2013	Barton et al.	
D713,271	S *	9/2014	Ericksen	D10/40
D736,104	S *	8/2015	Ericksen	D10/40
D750,506	S	3/2016	Ericksen et al.	
D750,977	S	3/2016	Ericksen et al.	
2006/0011243	A1	1/2006	Jacobs et al.	
2009/0001193	A1	1/2009	Parsons et al.	
2010/0230510	A1	9/2010	Wilson	

OTHER PUBLICATIONS

Robert Bosch Tool Corporation, The product(s) shown in attachment 2 were sold or offered for sale by Robert Bosch Tool Corporation under the brand name Nelson on or before Mar. 19, 2013.

Melnor, Inc., The product(s) shown in attachment 3 were sold or offered for sale by Melnor, Inc., on or before Mar. 19, 2013.

Melnor, Inc., AquaTimers, Web page retrieved on Jun. 17, 2013, apparently published on or before Feb. 10, 2012, [web.archive.org/web/20120210191541/http://www.melnor.com/products-aquatimers.php](http://web.archive.org/web/20120210191541/http://www.melnor.com/products-aquatimers.php).

Robert Bosch Tool Corporation, Nelson, Web page retrieved on Jun. 17, 2013, apparently published on or before Mar. 27, 2012, [web.archive.org/web/20120327000229/http://www.lrnelson.com/products/water-conservation2/water-timers/](http://web.archive.org/web/20120327000229/http://www.lrnelson.com/products/water-conservation2/water-timers/).

Robert Bosch Tool Corporation, Nelson, Web page retrieved on Jun. 17, 2013, apparently published on or before Jul. 9, 2012, [web.archive.org/web/20120709203520/http://www.lrnelson.com/products/water-conservation2/water-timers/](http://web.archive.org/web/20120709203520/http://www.lrnelson.com/products/water-conservation2/water-timers/).

Rain Bird Corporation, the product(s) shown in attachment 8 was sold or offered for sale by Rain Bird Corporation at least by Mar. 19, 2012.

Orbit Irrigation Products, Inc., the product(s) shown in attachment 9 were sold or offered for sale by Orbit Irrigation Products, Inc., at least by Mar. 19, 2012.

Restriction Requirement, U.S. Appl. No. 29/450,680, Mailed on Feb. 2, 2014.

Restriction Requirement Response, U.S. Appl. No. 29/450,680, Dated Apr. 14, 2014.

Restriction Requirement, U.S. Appl. No. 29/500,449, Mailed on Oct. 1, 2014.

Restriction Requirement Response, U.S. Appl. No. 29/500,449, Dated Dec. 1, 2014.

Notice of Allowance and Fees(s) Due (including a Notice of Allowability for a Design Application and an Examiner's Amendment), U.S. Appl. No. 29/500,449, Mailed on Dec. 17, 2014.

Continued Prosecution Application, U.S. Appl. No. 29/500,449, Dated Mar. 17, 2015.

Notice of Allowance and Fees(s) Due (including a Notice of Allowability for a Design Application and an Examiner's Amendment), U.S. Appl. No. 29/500,449, Mailed on Apr. 6, 2015.

Co-pending U.S. Appl. No. 29/553,698, filed Feb. 3, 2016, Orbit Irrigation Products, Inc.

Notice of Allowance and Fee(s) Due (including a Notice of Allowability For A Design Application, a Restriction/Election Requirement section, an Examiner's Amendment section, an Amendment to the Drawing section and an Amendment to the Specification section), U.S. Appl. No. 29/546,843, Mailed on Dec. 30, 2015.

Notice of Allowance and Fee(s) Due (including a Notice of Allowability For A Design Application, a Restriction/Election Requirement section, an Examiner's Amendment section, an Amendment to the Drawing section and an Amendment to the Specification section), U.S. Appl. No. 29/546,847, Mailed on Dec. 31, 2015.

Orbit Irrigation Products, Inc., The product(s) shown in attachment 19 were sold or offered for sale by Orbit Irrigation Products, Inc., on or before Nov. 2008.

Robert Bosch Tool Corporation, The product(s) shown in attachment 20 were sold or offered for sale by Robert Bosch Tool Corporation under the brand name Nelson on or before Mar. 19, 2013.

Melnor, Inc., The product(s) shown in attachment 21 were sold or offered for sale by Melnor, Inc., on or before Mar. 19, 2013.

Melnor, Inc., AquaTimers, Web page retrieved on Jun. 17, 2013, apparently published on or before Feb. 10, 2012, [web.archive.org/web/20120210191541/http://www.melnor.com/products-aquatimers.php](http://web.archive.org/web/20120210191541/http://www.melnor.com/products-aquatimers.php).

Melnor, Inc., AquaTimers, Web page retrieved on Jun. 17, 2013, apparently published on or before Jun. 24, 2012, [web.archive.org/web/20120624233645/http://www.melnor.com/products-aquatimers.php](http://web.archive.org/web/20120624233645/http://www.melnor.com/products-aquatimers.php).

Robert Bosch Tool Corporation, Nelson, Web page retrieved on Jun. 17, 2013, apparently published on or before Mar. 27, 2012, [web.archive.org/web/20120327000229/http://www.lrnelson.com/products/waterconservation2/watertimers/](http://web.archive.org/web/20120327000229/http://www.lrnelson.com/products/waterconservation2/watertimers/).

Robert Bosch Tool Corporation, Nelson, Web page retrieved on Jun. 17, 2013, apparently published on or before Jul. 9, 2012, [web.archive.org/web/20120709203520/http://www.lrnelson.com/products/waterconservation2/water-timers/](http://web.archive.org/web/20120709203520/http://www.lrnelson.com/products/waterconservation2/water-timers/).

Rain Bird Corporation, the product(s) shown in attachment 26 was sold or offered for sale by Rain Bird Corporation at least by Mar. 19, 2012.

Orbit Irrigation Products, Inc., the product(s) shown in attachment 27 were sold or offered for sale by Orbit Irrigation Products, Inc., at least by Mar. 19, 2012.

Orbit Irrigation Products, Inc., the product shown in attachment 28 was sold or offered for sale by Orbit Irrigation Products, Inc., at least by Mar. 19, 2012.

\* cited by examiner

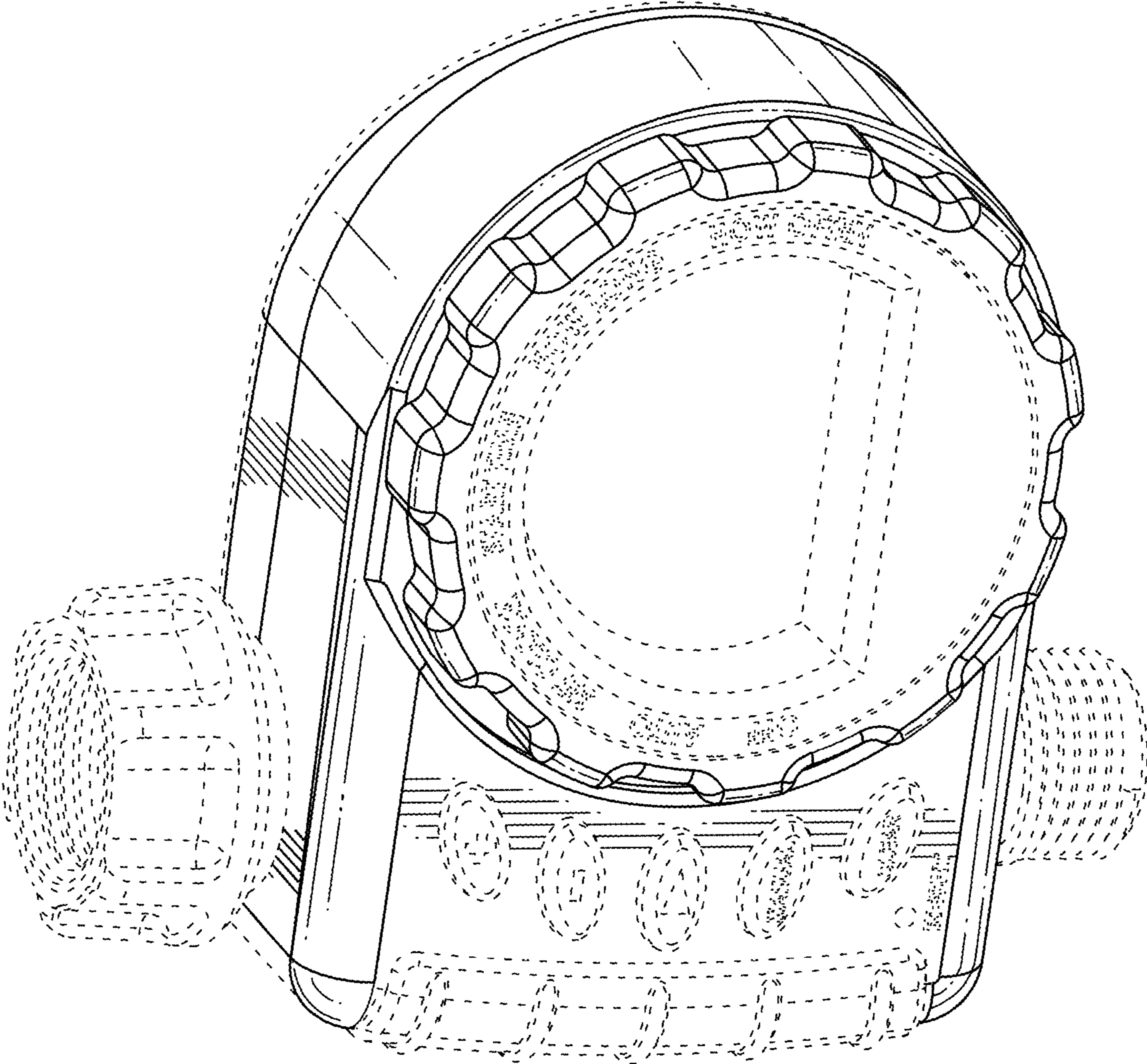
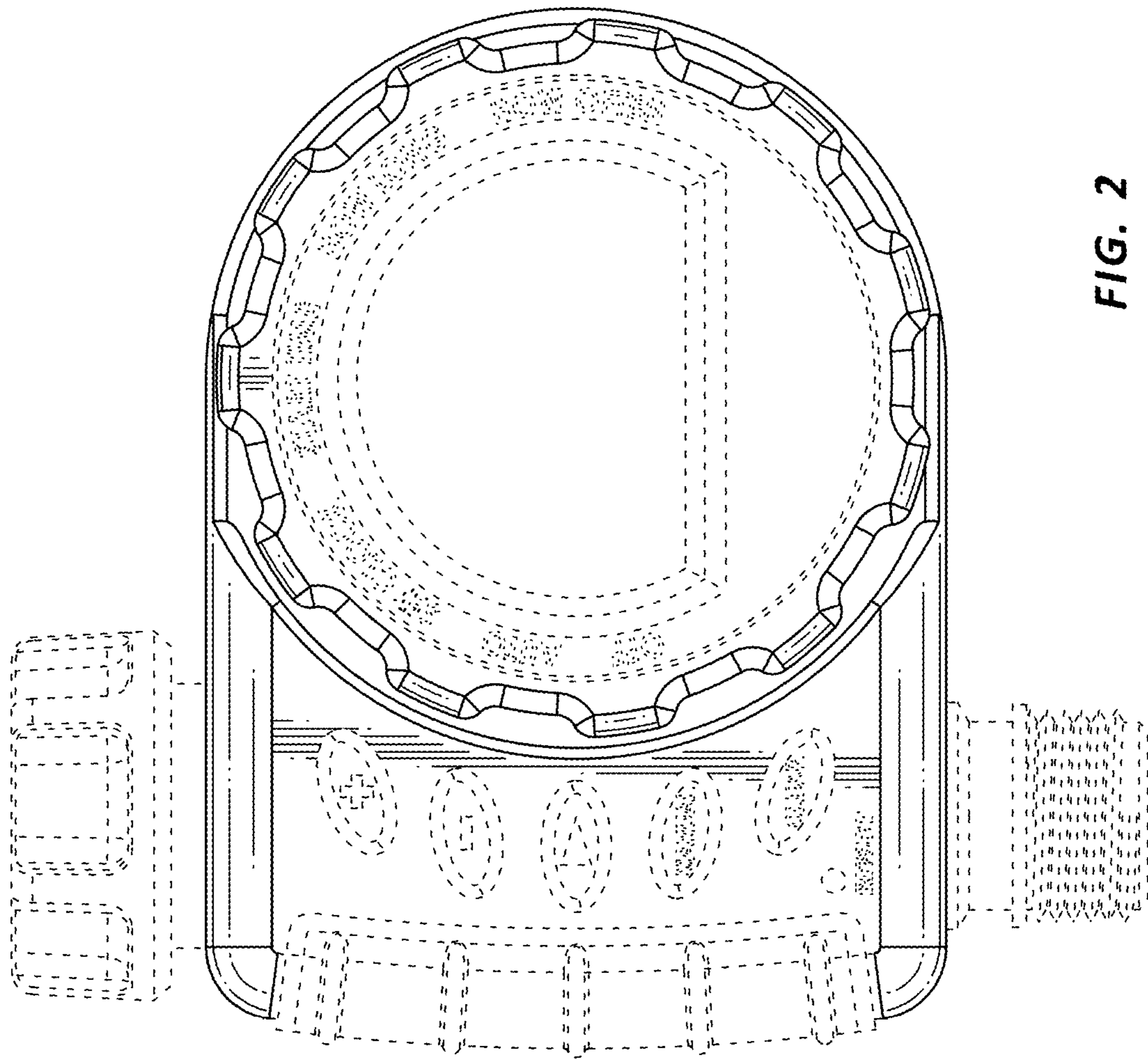


FIG. 1





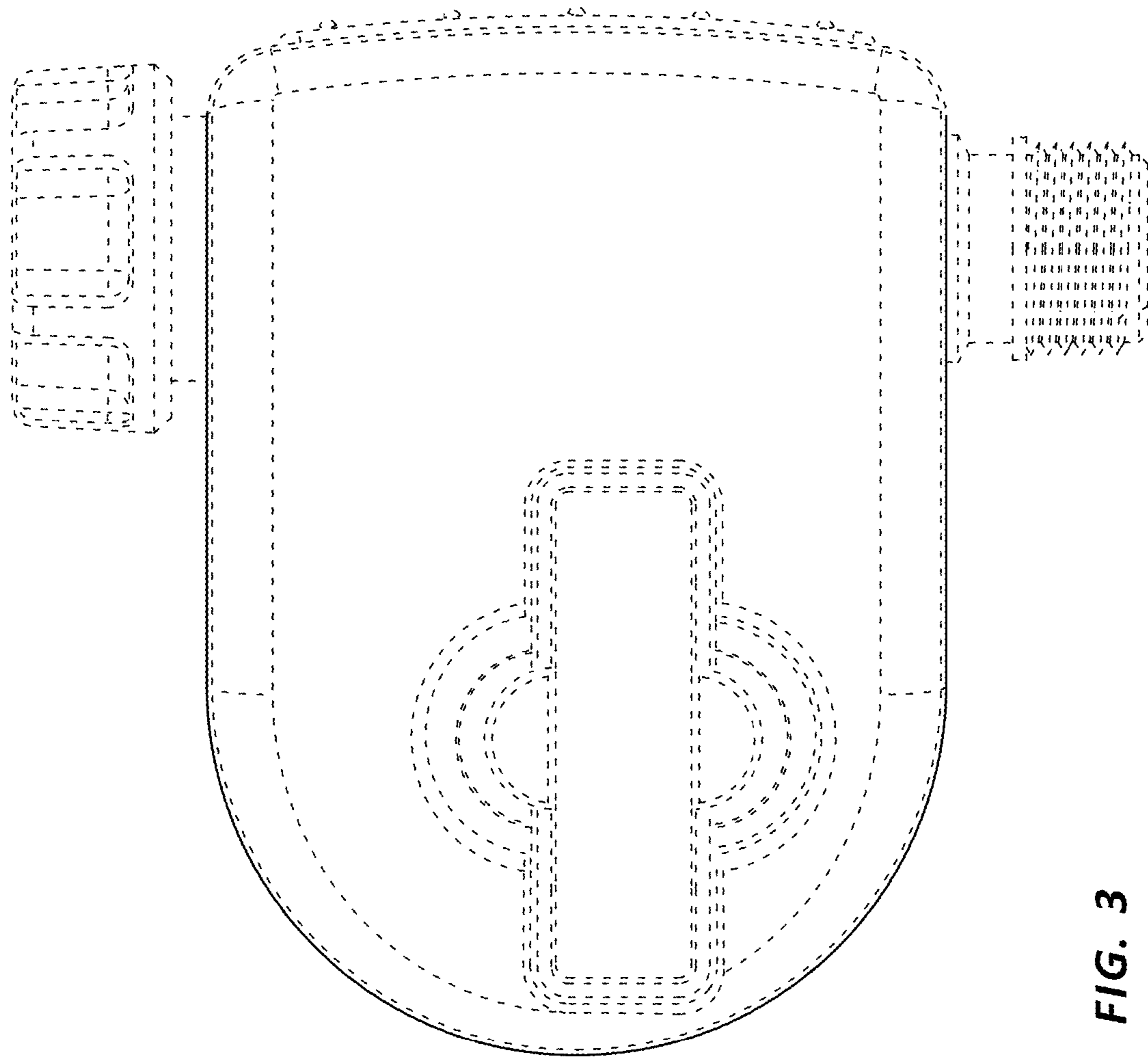
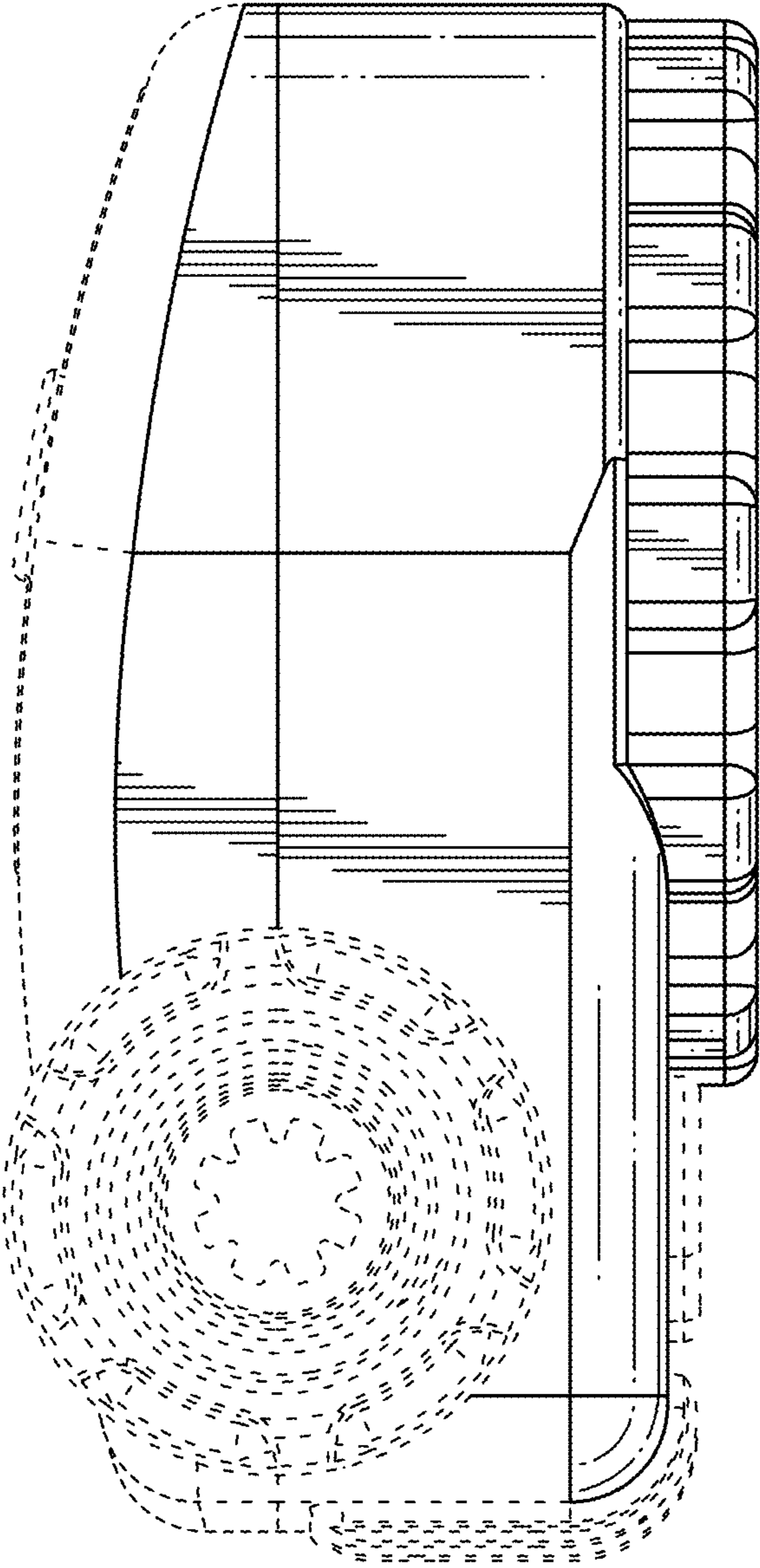


FIG. 3



**FIG. 4**

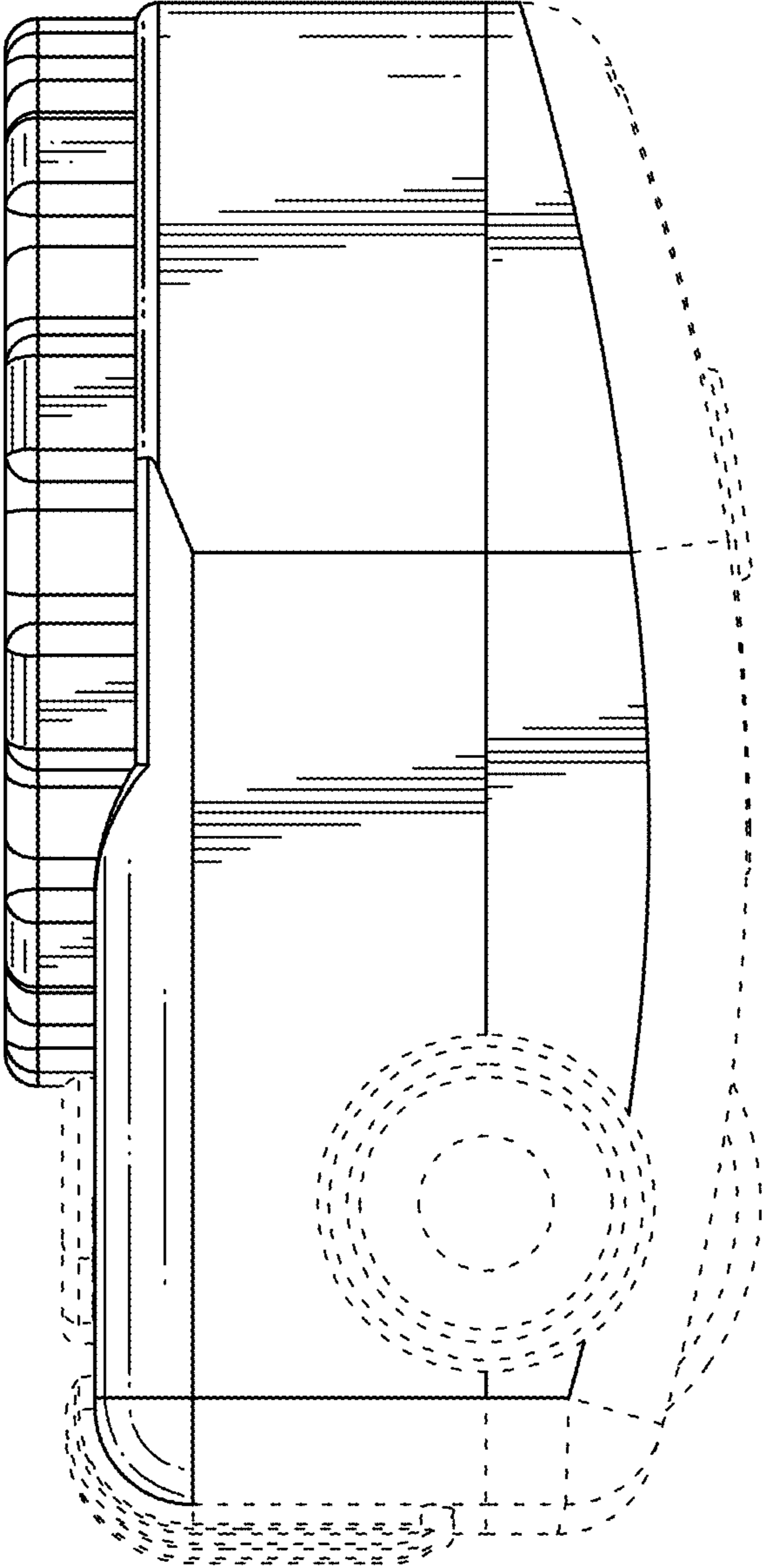


FIG. 5

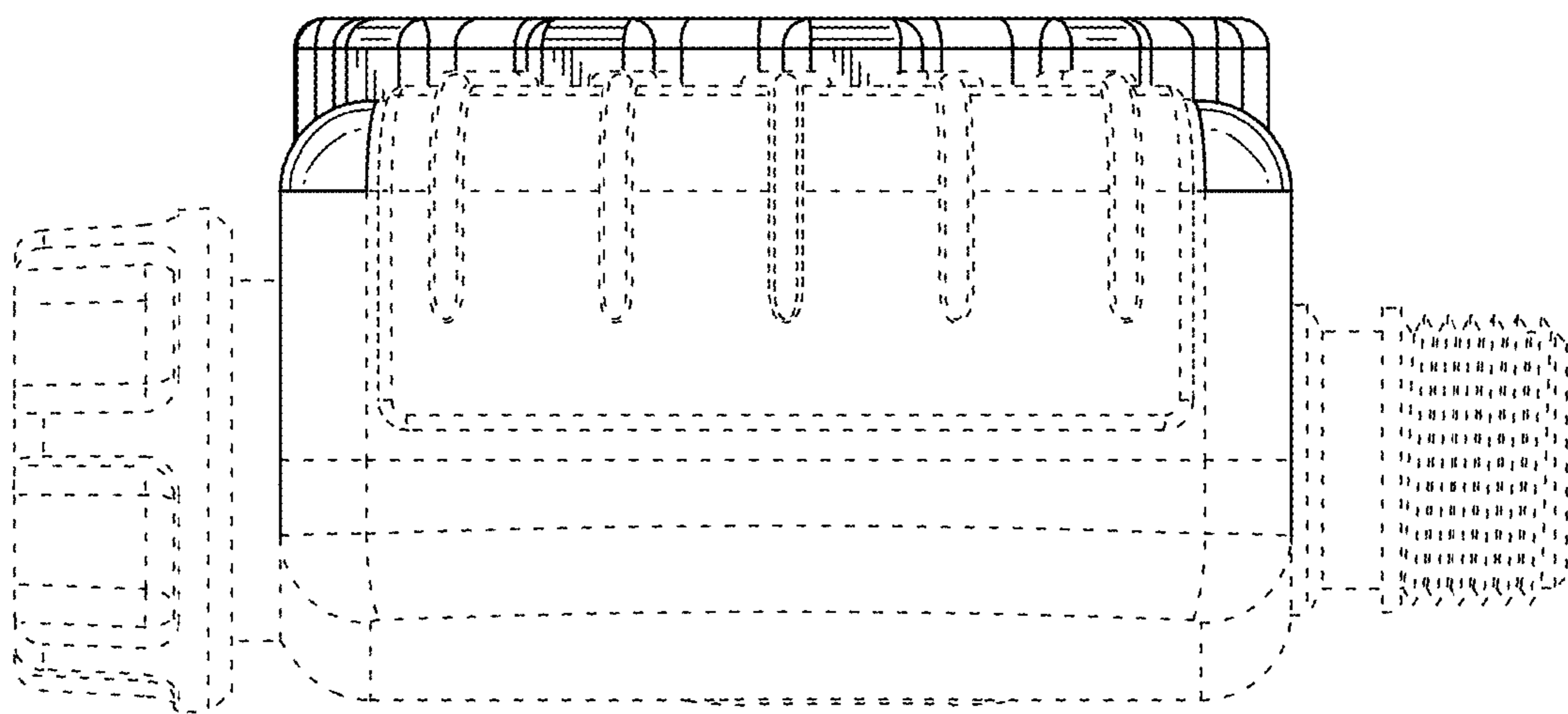


FIG. 6



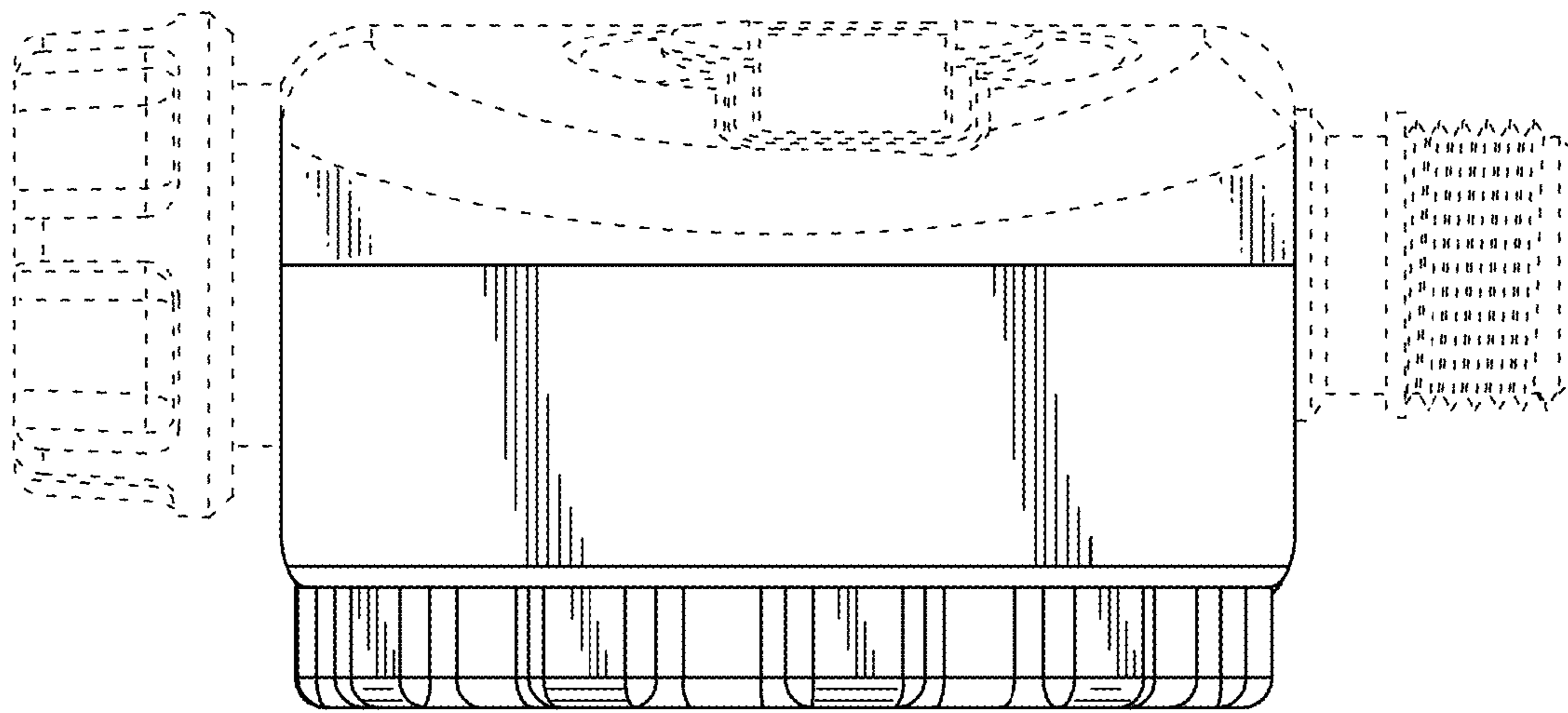


FIG. 7