



US00D770309S

(12) **United States Design Patent** (10) **Patent No.:** **US D770,309 S**
Edwards et al. (45) **Date of Patent:** **** Nov. 1, 2016**

(54) **TAP TIMER HOUSING**

(71) Applicant: **Bookleaf Pty Ltd**, Perth (AU)
(72) Inventors: **Walter John Edwards**, Perth (AU);
Lukas Korinek, Perth (AU)
(73) Assignee: **Bookleaf Pty Ltd.**, Western Australia
(AU)
(**) Term: **14 Years**

(21) Appl. No.: **29/503,790**

(22) Filed: **Sep. 30, 2014**

(30) **Foreign Application Priority Data**

Mar. 31, 2014 (AU) 201411591
Jul. 2, 2014 (AU) 201413226

(51) **LOC (10) Cl.** **10-03**

(52) **U.S. Cl.**
USPC **D10/40**

(58) **Field of Classification Search**
USPC D10/40, 122-132; D13/162, 162.1;
D23/245, 246
CPC A01G 25/00; A01G 25/16; A01G 25/162;
A01G 25/165; A01G 25/167; F16K 21/16;
F16K 31/48; G05D 7/00; G05D 7/06; G05D
7/0635; G04F 3/00; G04F 3/02
See application file for complete search history.

(56) **References Cited**

U.S. PATENT DOCUMENTS

4,108,419 A * 8/1978 Sturman A01G 25/162
137/624.15
4,114,647 A * 9/1978 Sturman A01G 25/167
137/624.2

(Continued)

OTHER PUBLICATIONS

Galcon 9001 Product Specification; "Galcon Hose End Irrigation
Controller", publicly available at least as early as May 2012, 1 pg.
(Continued)

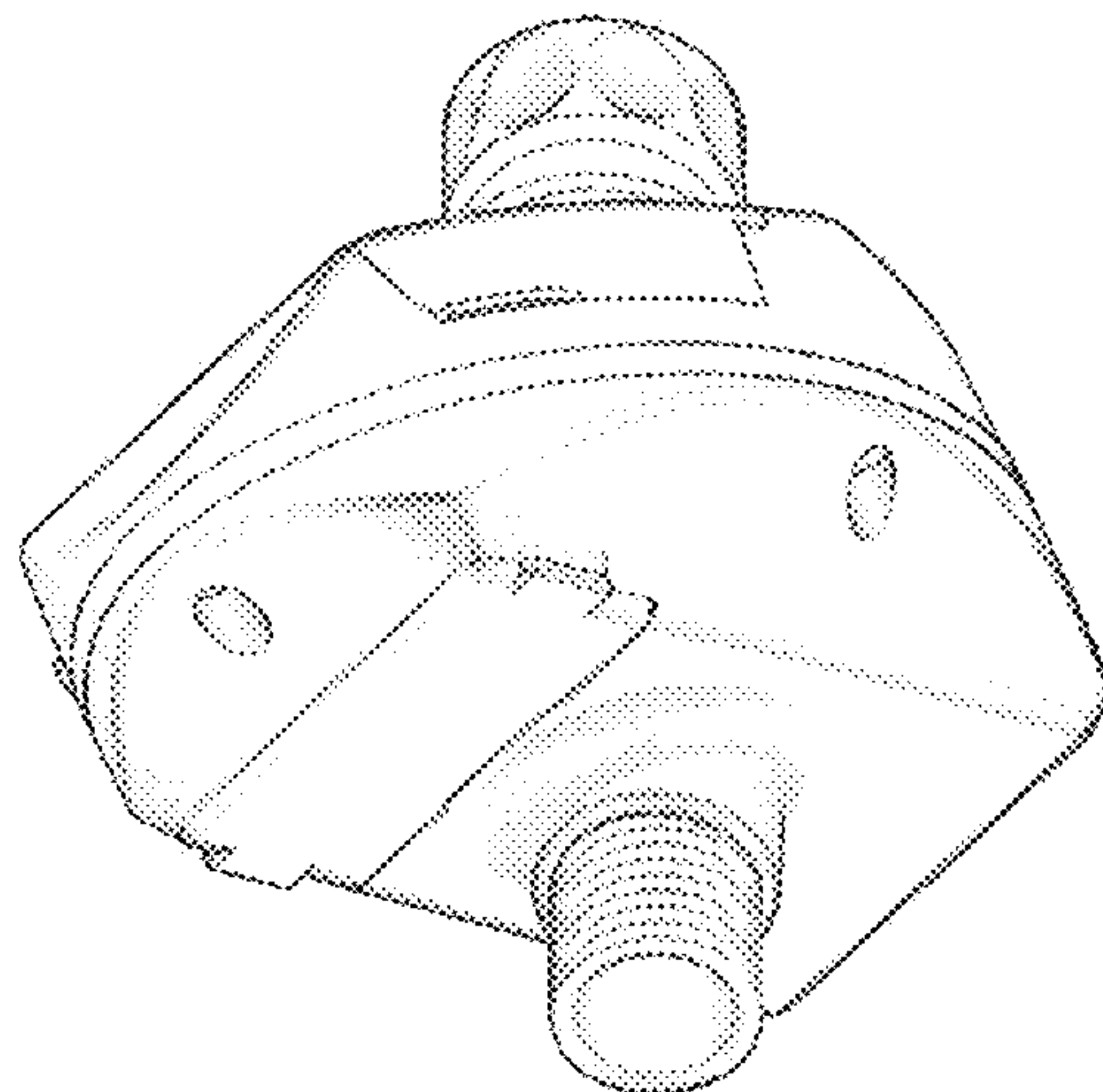
Primary Examiner — Sandra Snapp
(74) *Attorney, Agent, or Firm* — Taylor English Duma
LLP

(57) **CLAIM**
We claim the ornamental design for a tap timer housing, as
shown and described.

DESCRIPTION

FIG. 1 is a front elevation view of a tap timer housing of our
new design;
FIG. 2 is a front elevation view of a tap timer housing,
showing an access panel in an opened position;
FIG. 3 is a left-side elevation view of a tap timer housing;
FIG. 4 is a left-side elevation view of a tap timer housing,
showing the access panel in an opened position;
FIG. 5 is a right-side elevation view of a tap timer housing;
FIG. 6 is a right-side elevation view of a tap timer housing,
showing the access panel in an opened position;
FIG. 7 is a bottom plan view of a tap timer housing;
FIG. 8 is a bottom plan view of a tap timer housing, showing
the access panel in an opened position;
FIG. 9 is a top plan view of a tap timer housing;
FIG. 10 is a top plan view of a tap timer housing, showing
an access panel in an opened position;
FIG. 11 is a front perspective view of a tap timer housing;
FIG. 12 is a rear perspective view of a tap timer housing;
FIG. 13 is a bottom front perspective view of a tap timer
housing;
FIG. 14 is a bottom left perspective view of a tap timer
housing, showing an access panel in an opened position;
and,
FIG. 15 is a bottom left perspective view of a tap timer
housing.

1 Claim, 8 Drawing Sheets



(56)

References Cited

U.S. PATENT DOCUMENTS

4,633,905 A * 1/1987 Wang F16K 21/16
 137/624.11
 4,797,820 A * 1/1989 Wilson A01G 25/165
 137/624.13
 4,807,664 A * 2/1989 Wilson A01G 25/165
 137/624.11
 D304,224 S * 10/1989 Wilson D23/245
 D365,771 S * 1/1996 Clivio D10/40
 D377,316 S * 1/1997 Roman D10/40
 D430,044 S * 8/2000 Clivio D10/40
 D431,195 S * 9/2000 Clivio D10/40
 D477,287 S * 7/2003 Roman D13/162
 D485,502 S * 1/2004 Clivio D10/40
 6,719,010 B1 * 4/2004 Yi-Chang A01G 25/165
 137/624.11
 D567,681 S * 4/2008 Michael D10/40
 D635,936 S * 4/2011 Reiser D13/158
 8,104,509 B2 * 1/2012 Leer A01G 25/165
 137/552.7
 D659,029 S * 5/2012 Connolly D10/122

D679,259 S * 4/2013 Franchini D13/162.1
 D679,260 S * 4/2013 Franchini D13/162.1
 D682,715 S * 5/2013 Wang D10/122
 D691,243 S * 10/2013 Meyer D23/245
 D692,325 S * 10/2013 Meyer D10/40
 D744,961 S * 12/2015 Franchini D10/40
 2005/0199842 A1 * 9/2005 Parsons A01G 25/16
 251/129.04
 2009/0001193 A1 * 1/2009 Parsons A01G 25/16
 239/69
 2011/0118881 A1 * 5/2011 Tai A01G 25/162
 700/282

OTHER PUBLICATIONS

Galcon 9001D-C "Computerized Irrigation Controller Installation & Operation Instructions", publicly available at least as early as May 2012, 2 pgs.
 Galcon 9001D "Computerized Irrigation Controller Installation & Operation Instructions", publicly available at least as early as May 2012, 8 pgs.

* cited by examiner

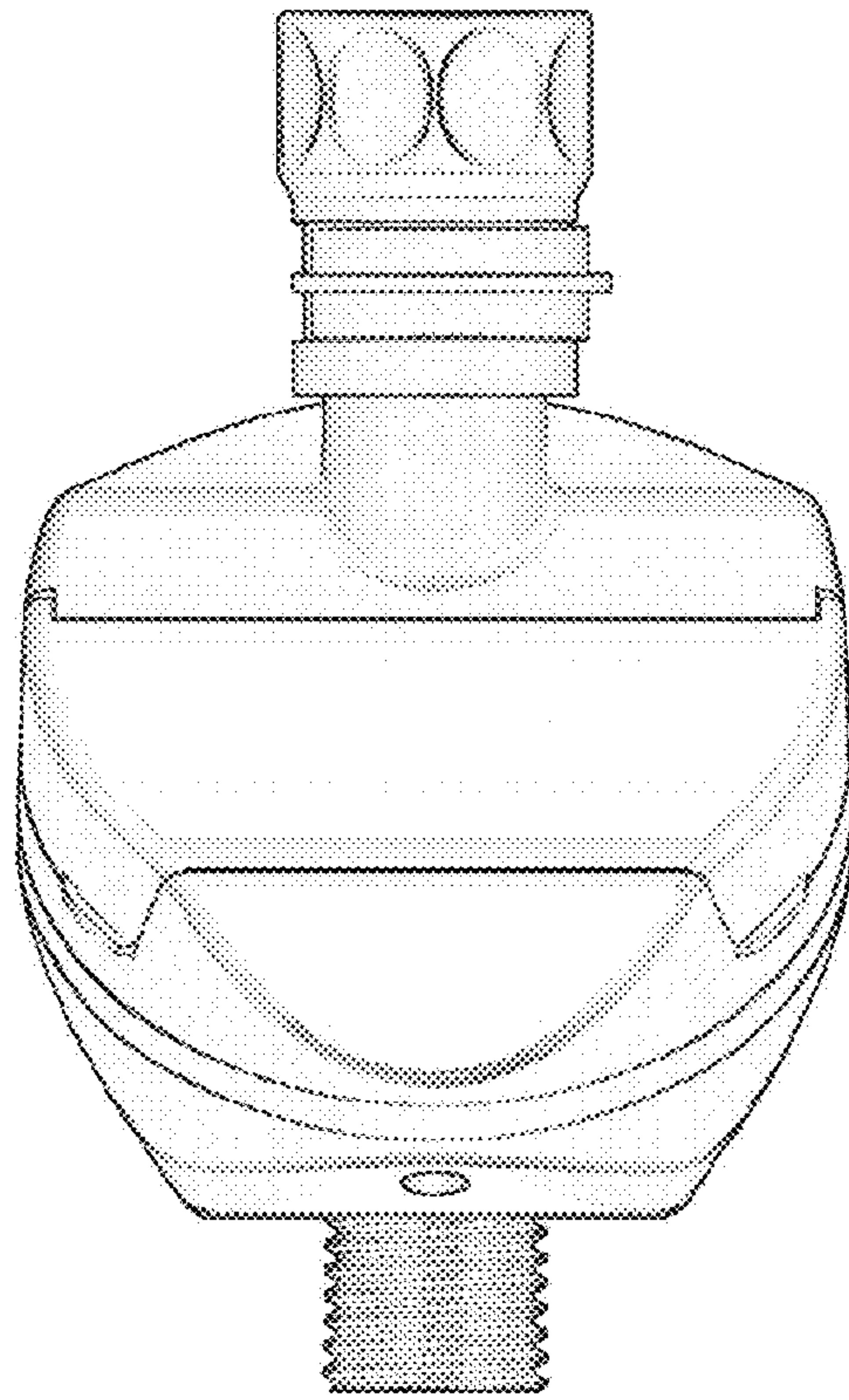


FIGURE 1

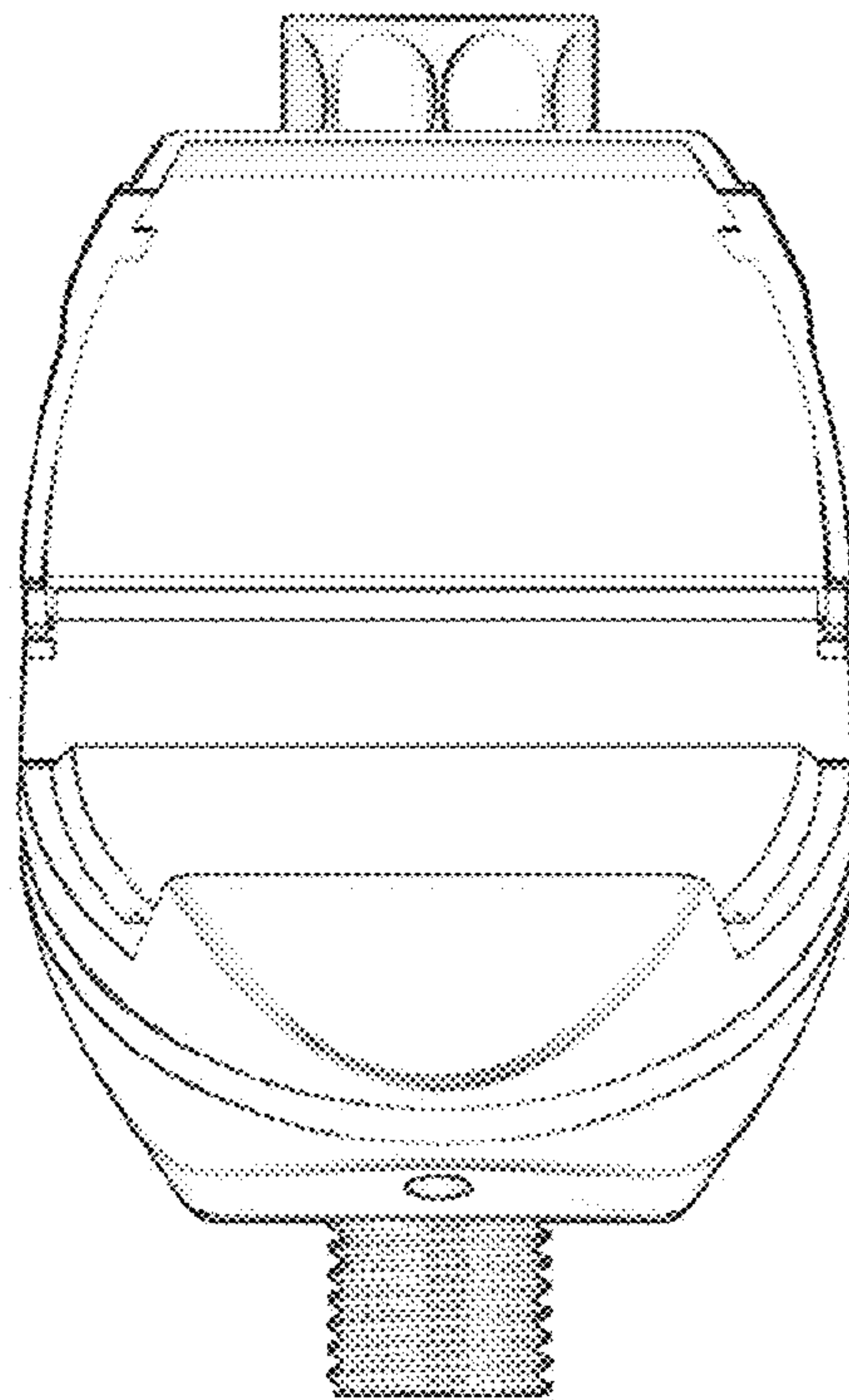


FIGURE 2

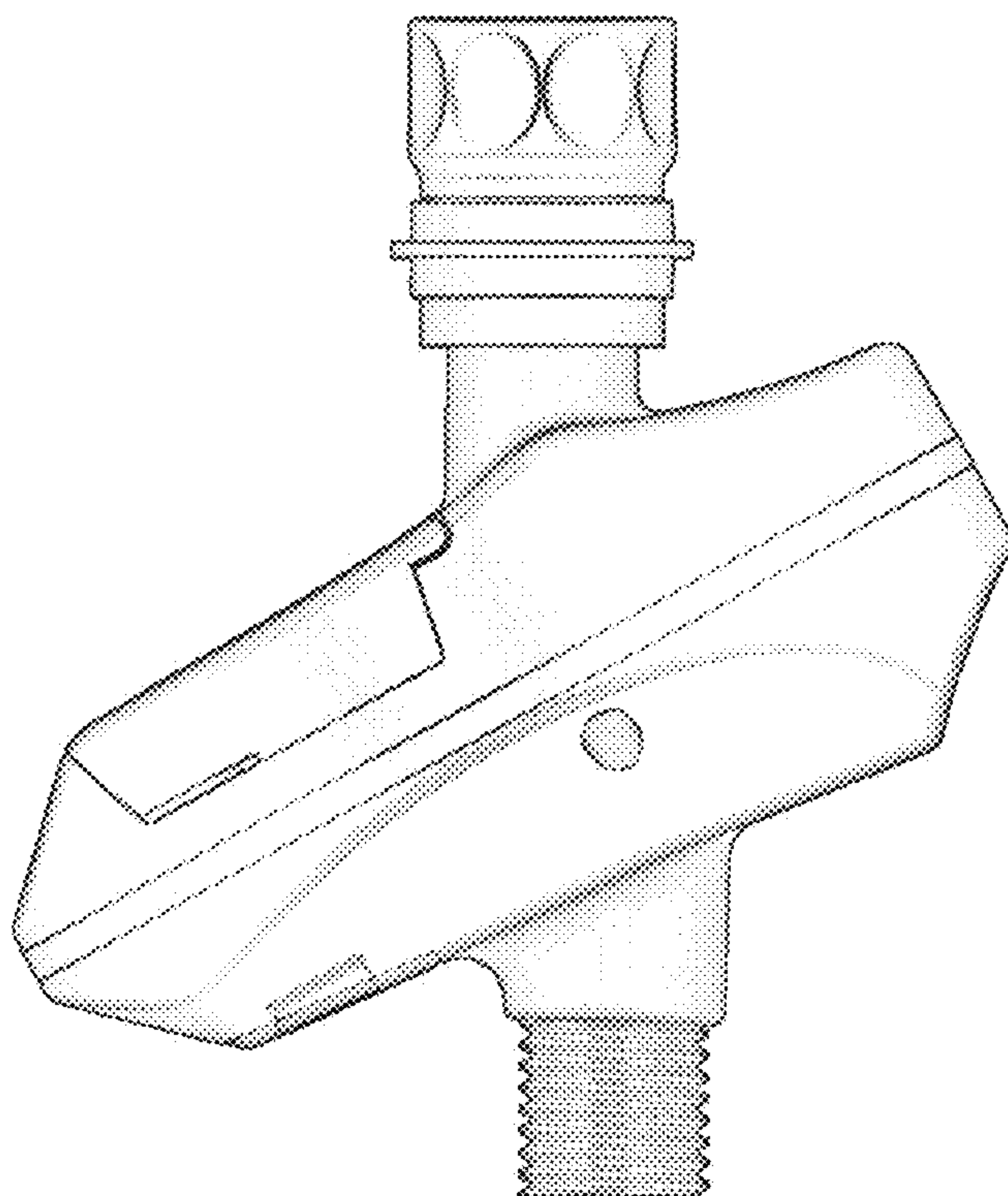


FIGURE 3

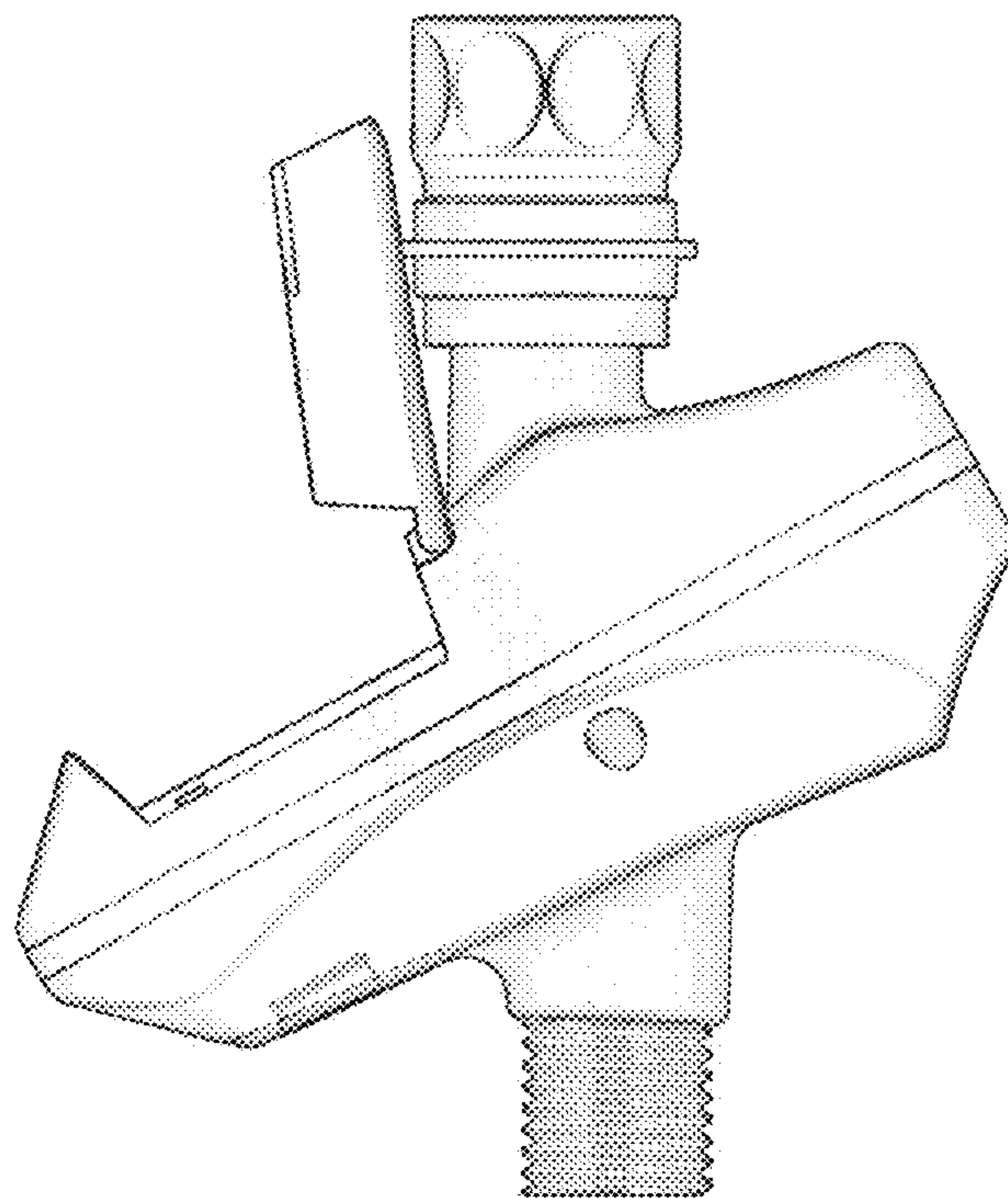


FIGURE 4

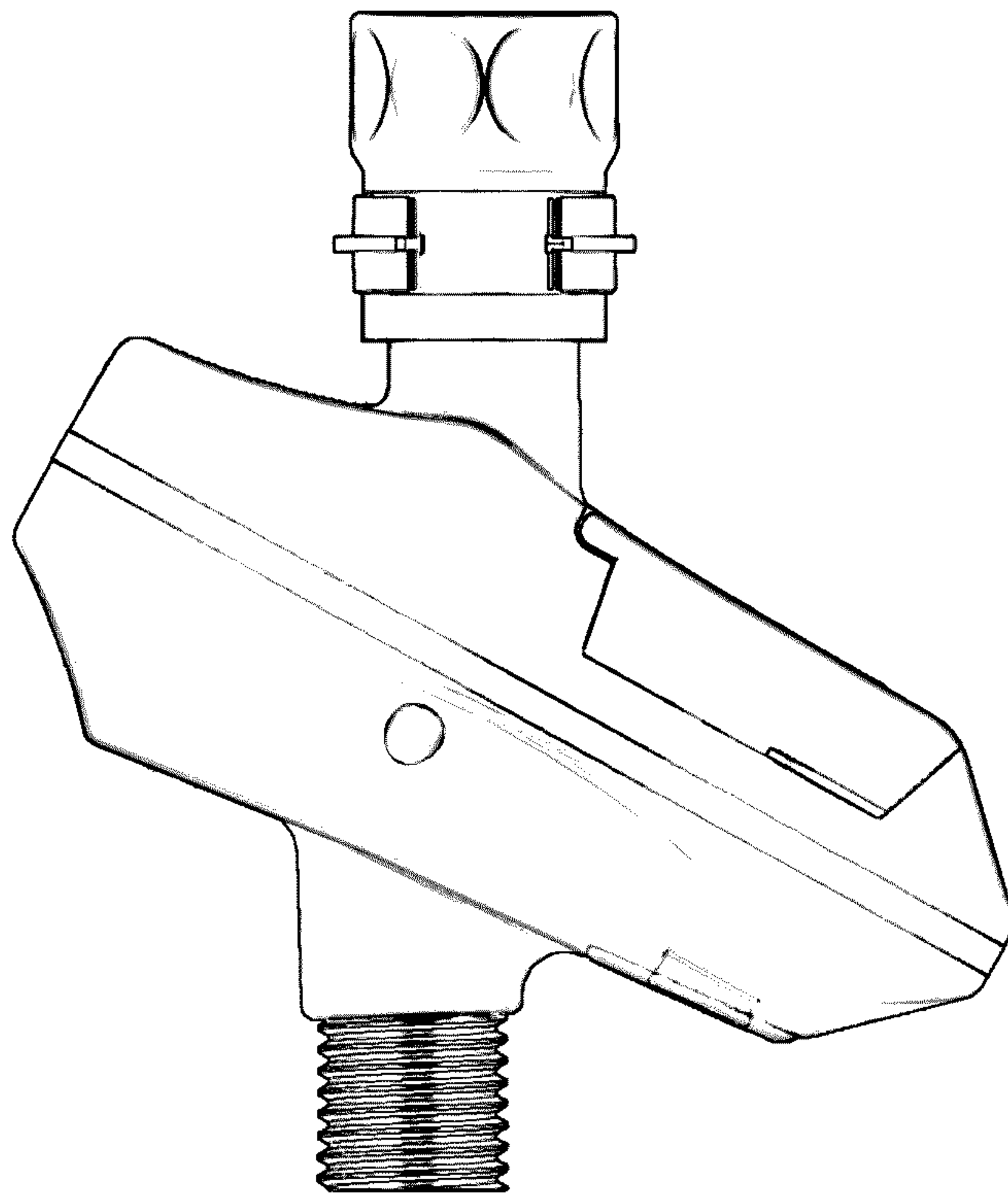


FIGURE 5

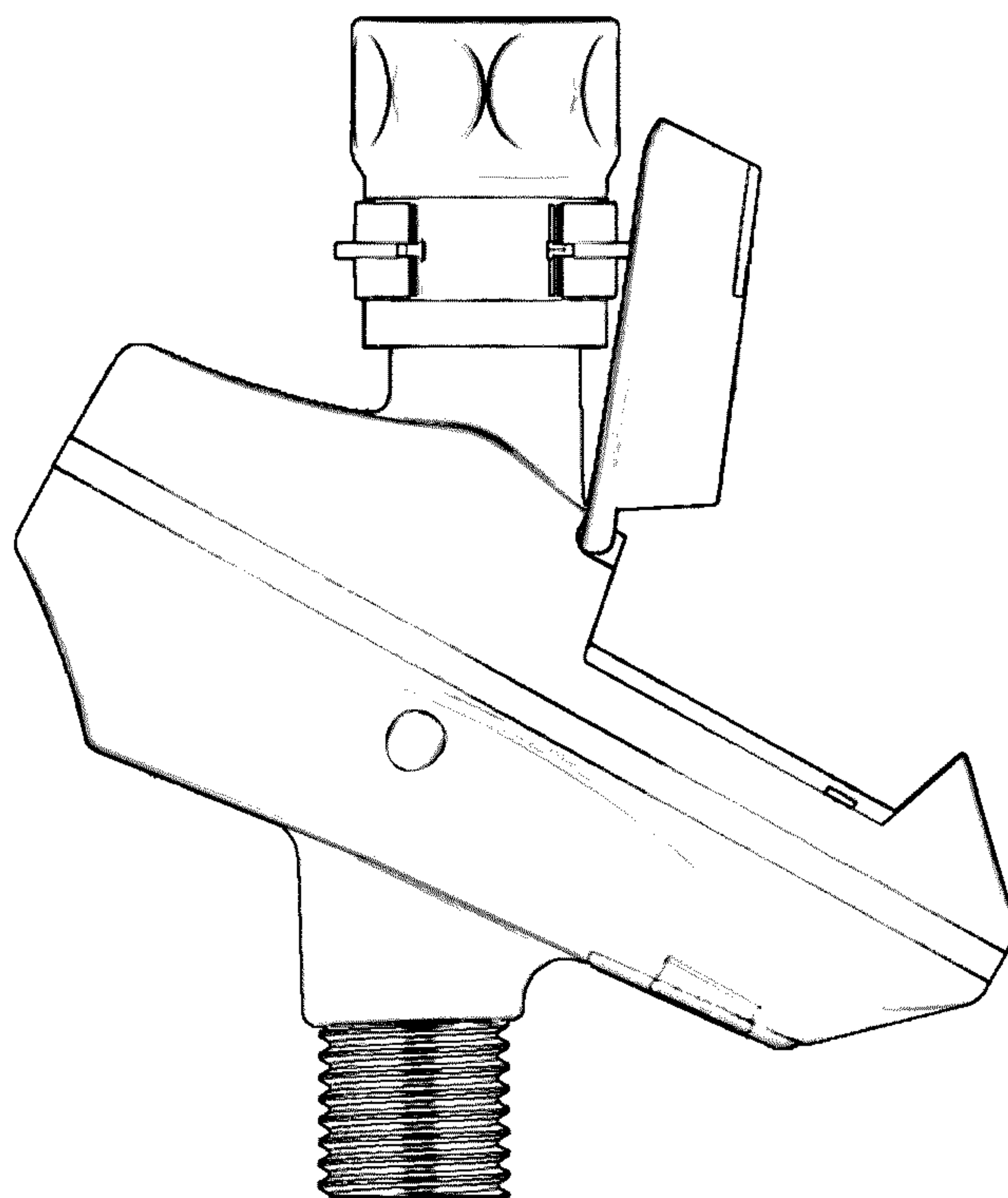


FIGURE 6

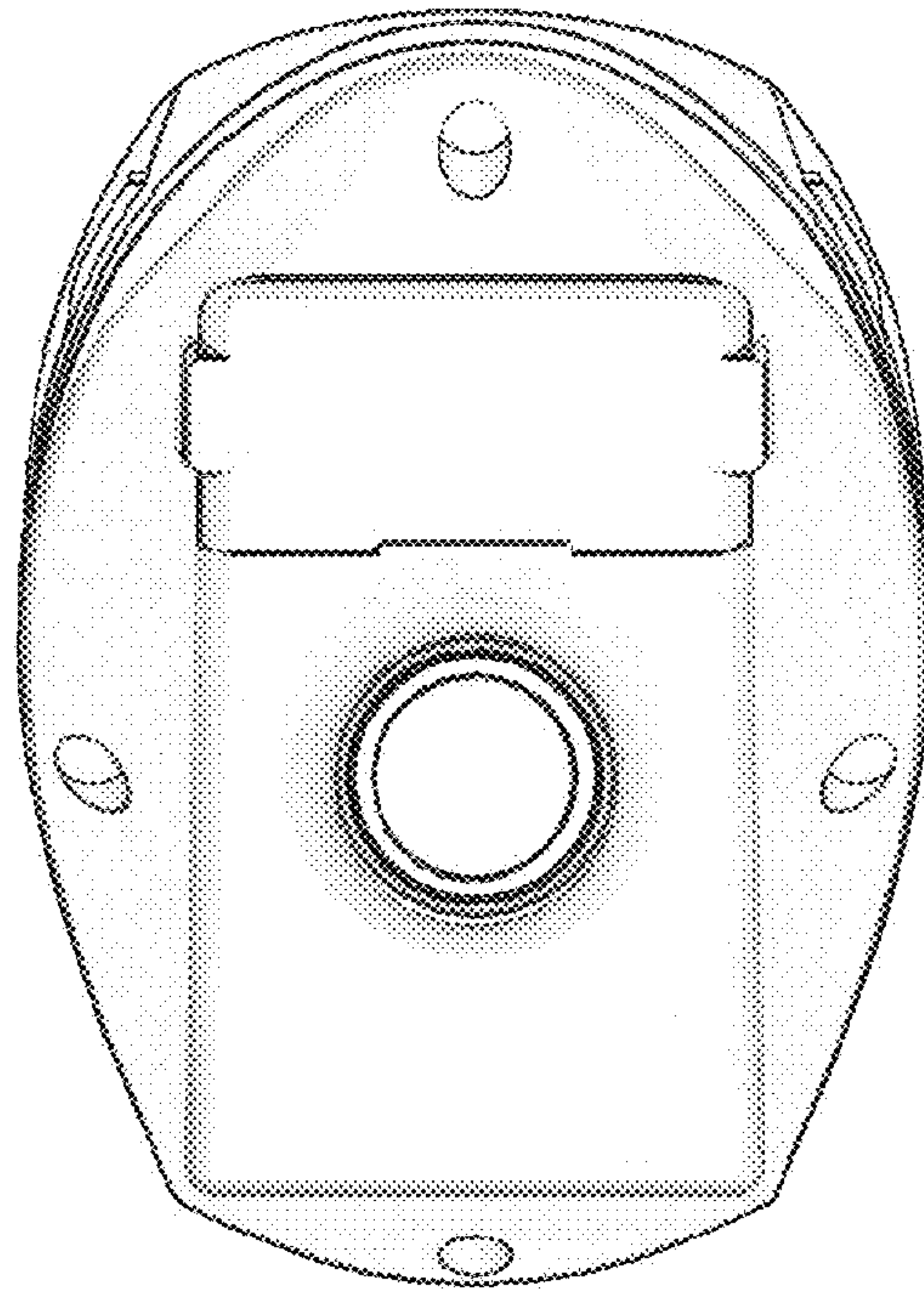


FIGURE 7

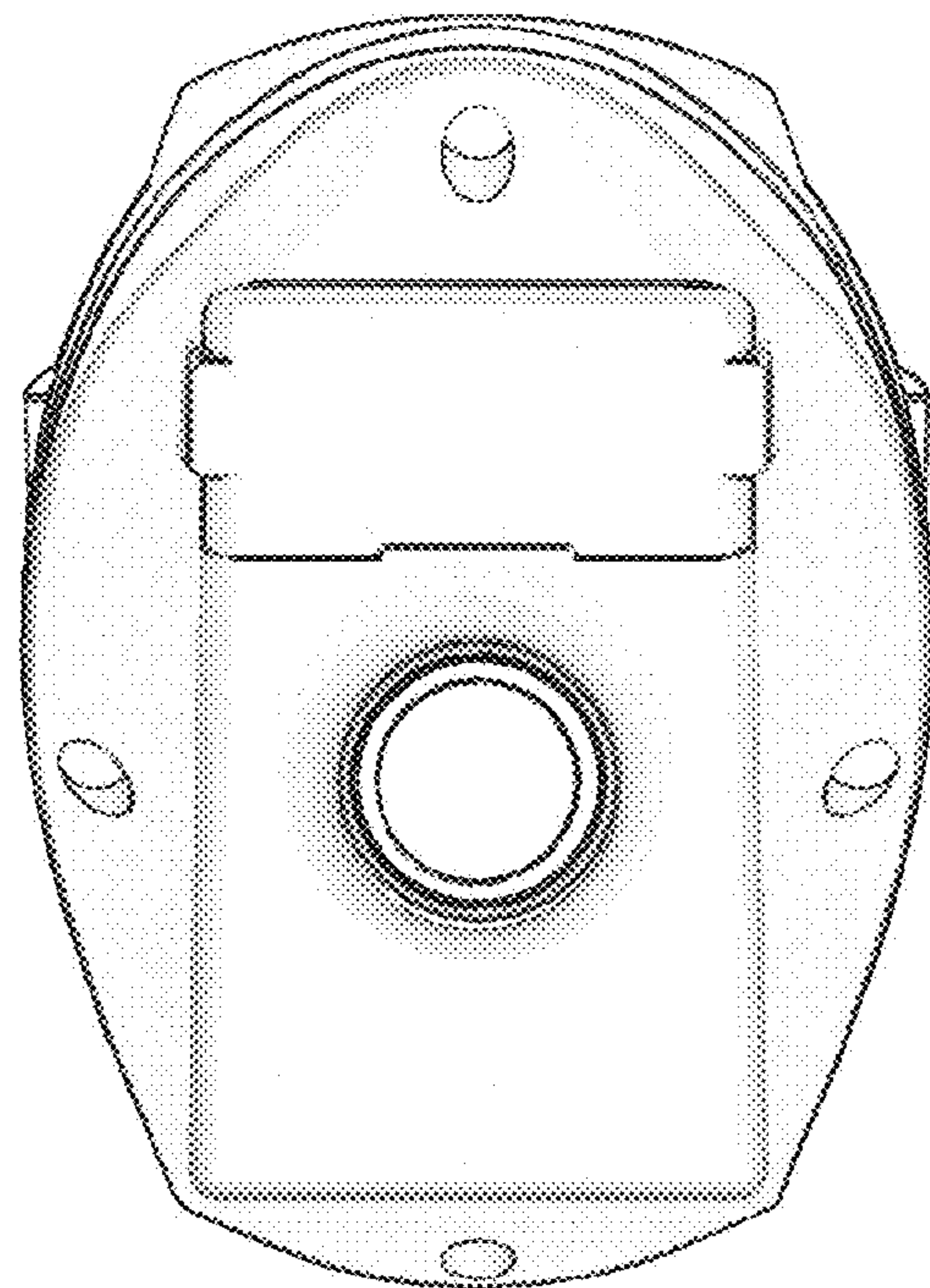


FIGURE 8

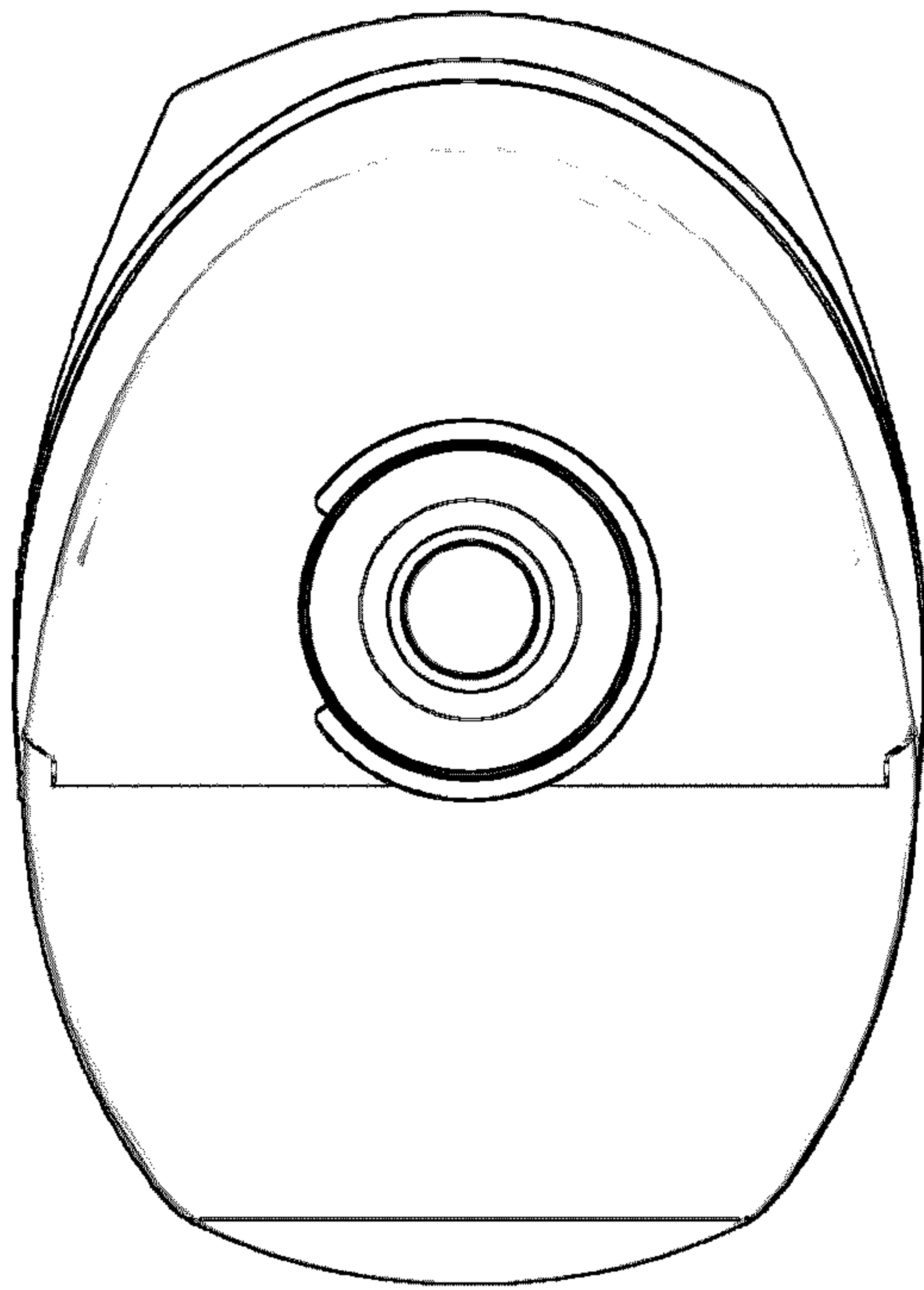


FIGURE 9

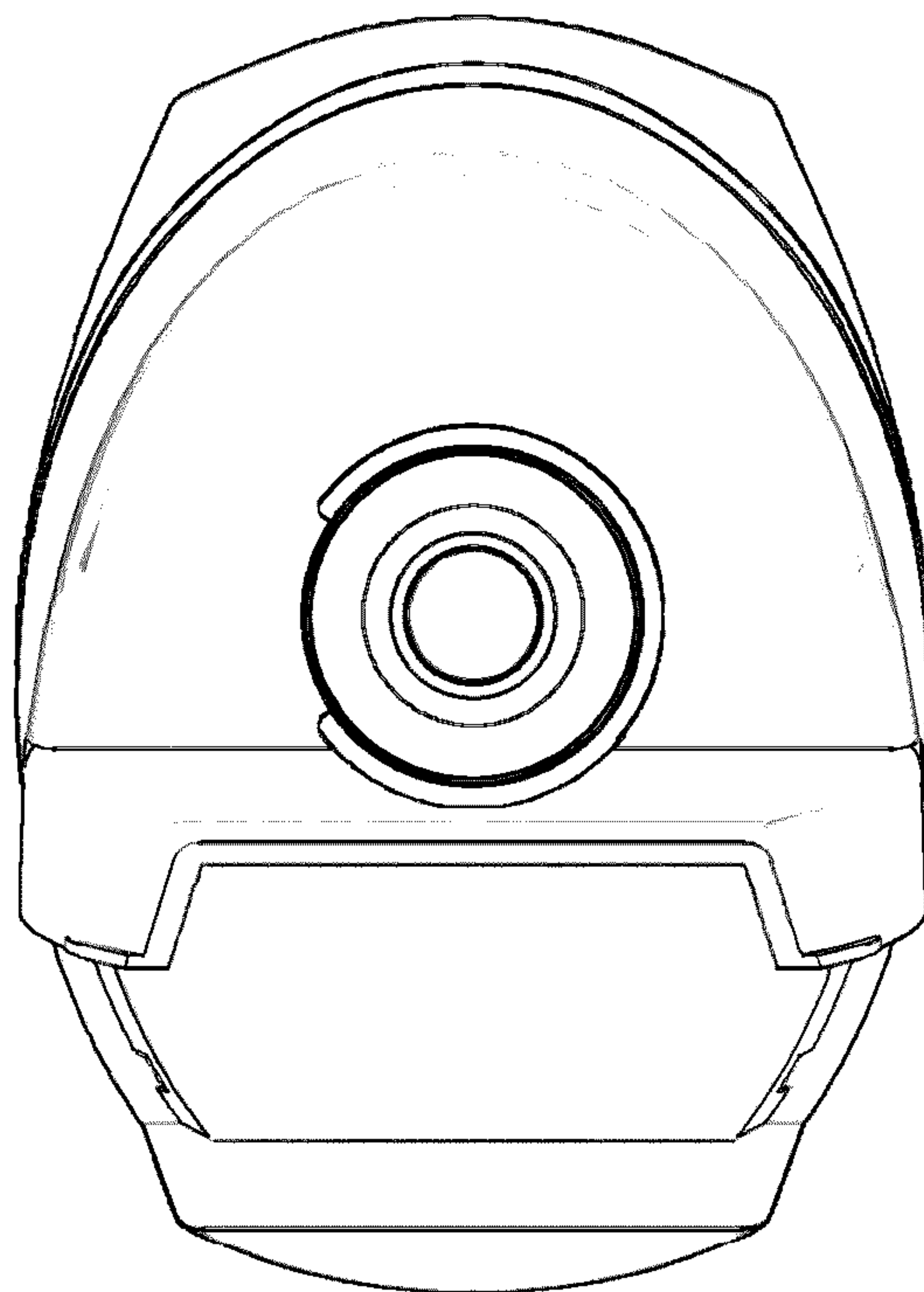


FIGURE 10

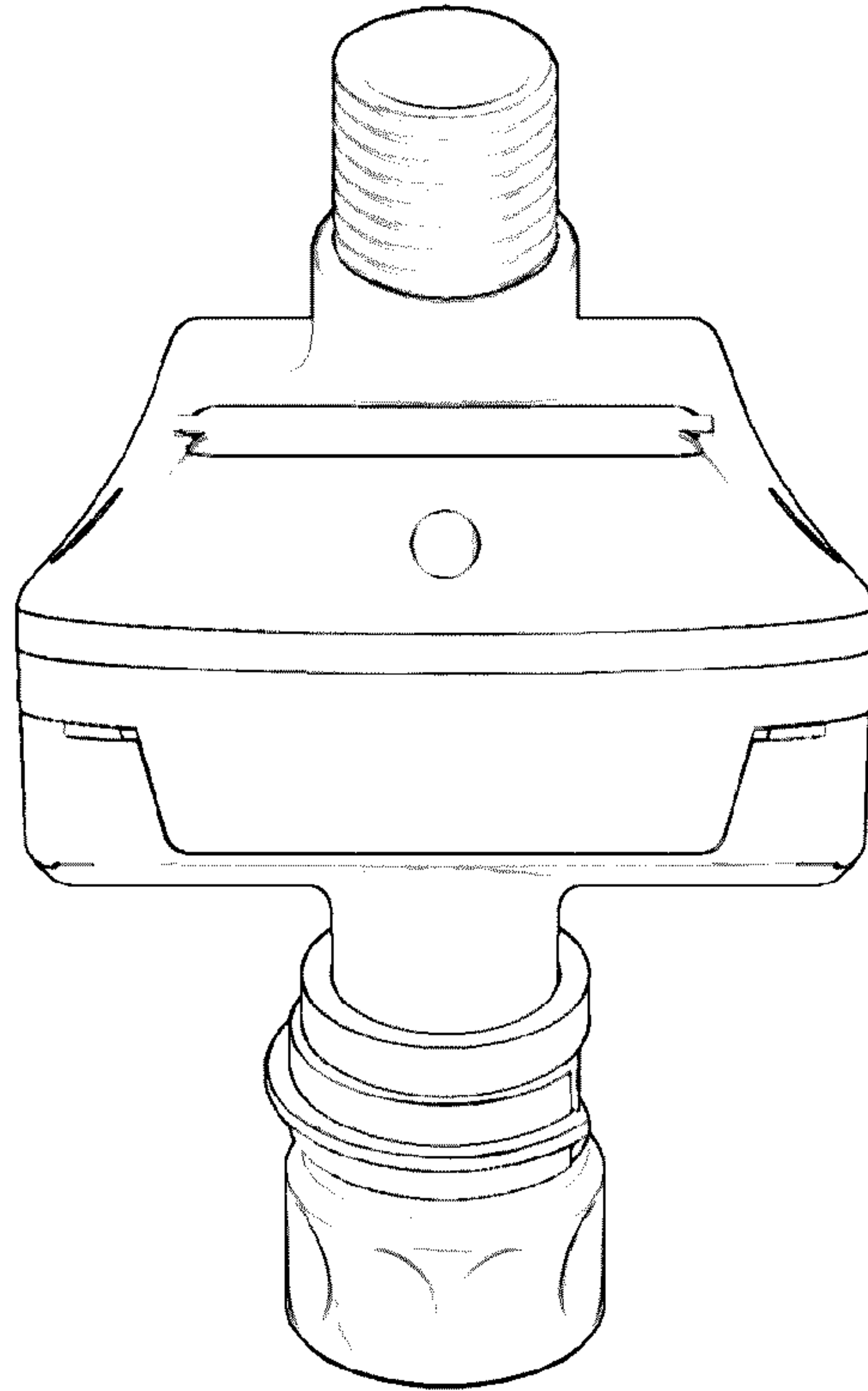


FIGURE 11

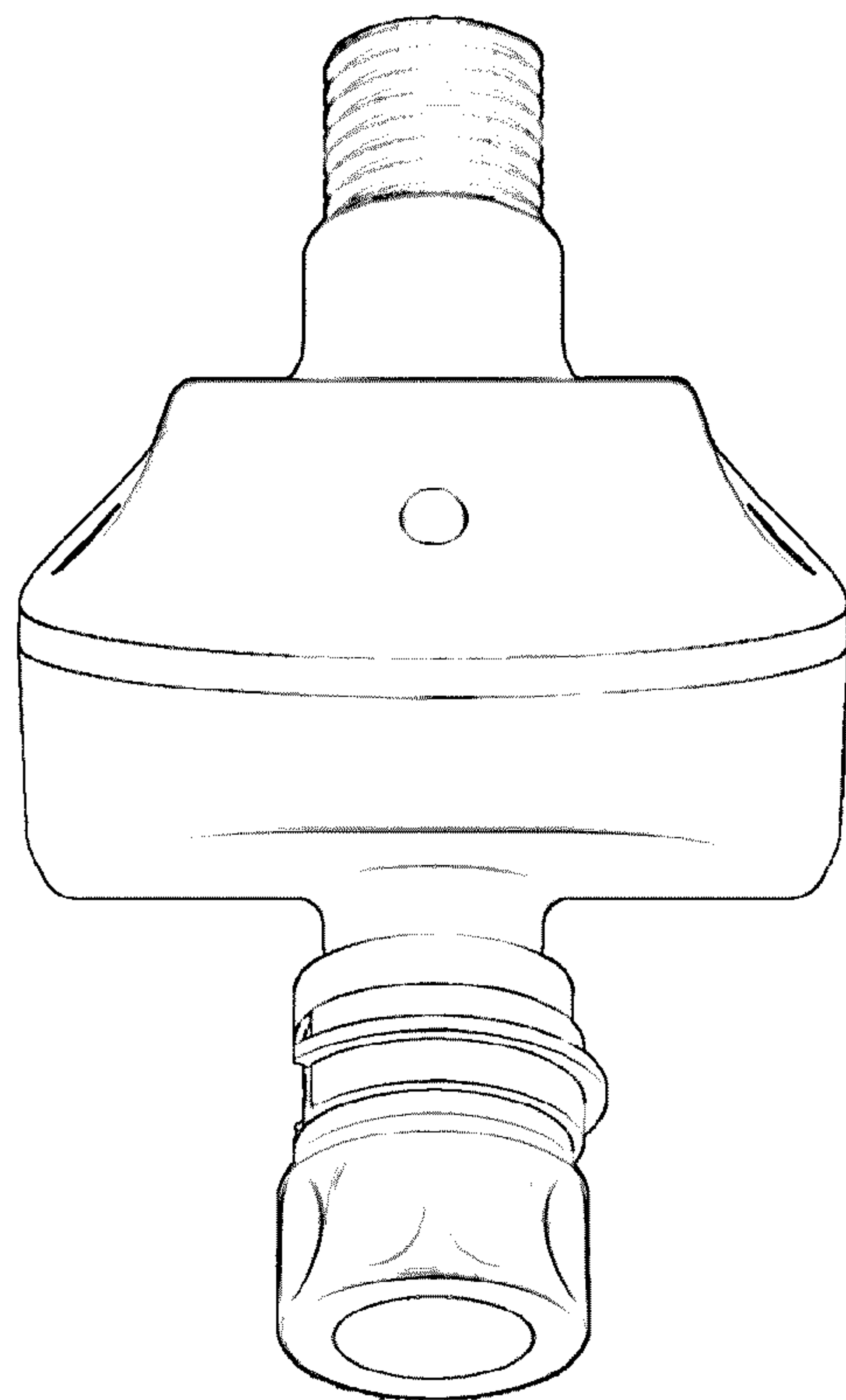


FIGURE 12

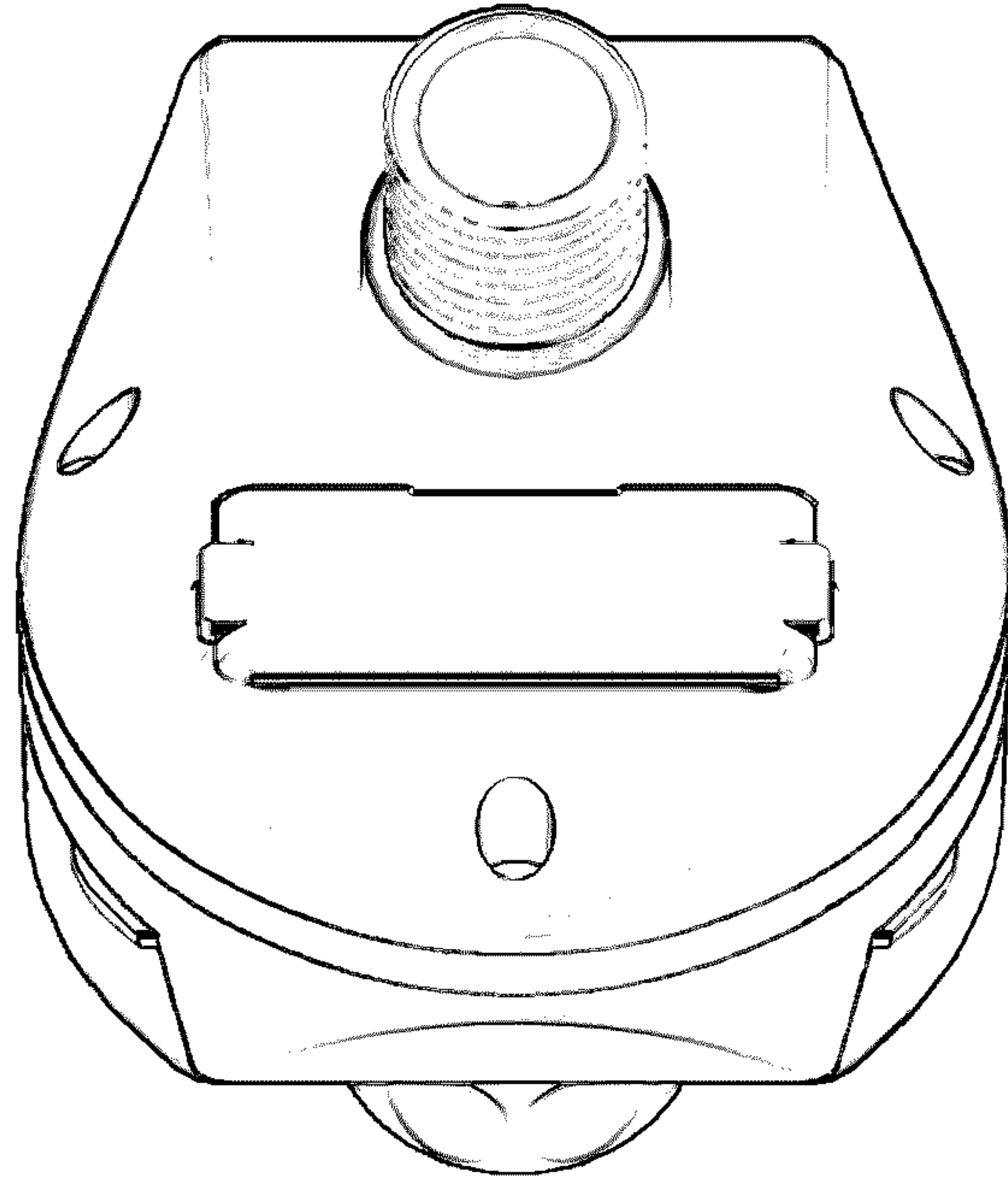


FIGURE 13

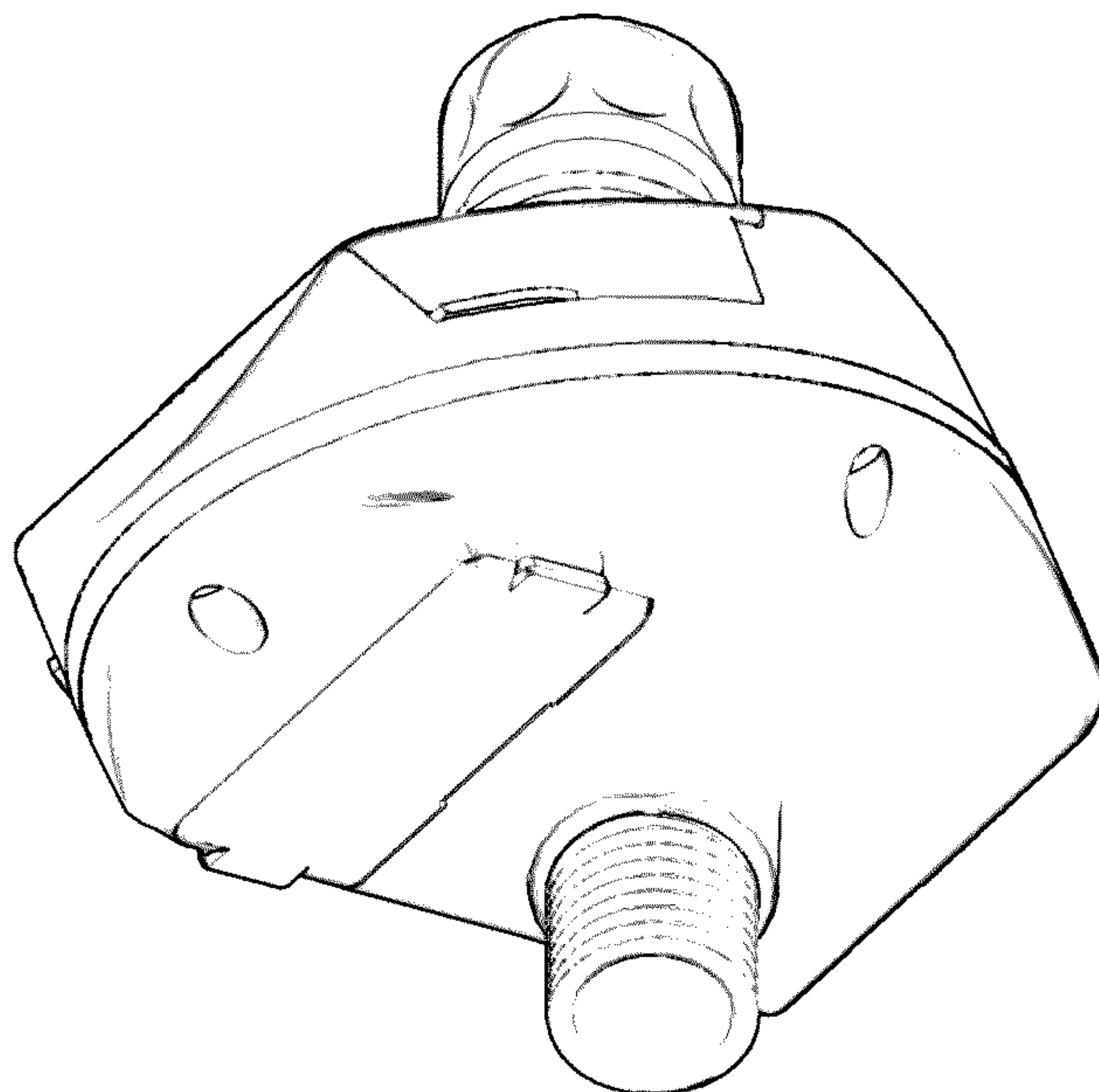


FIGURE 14

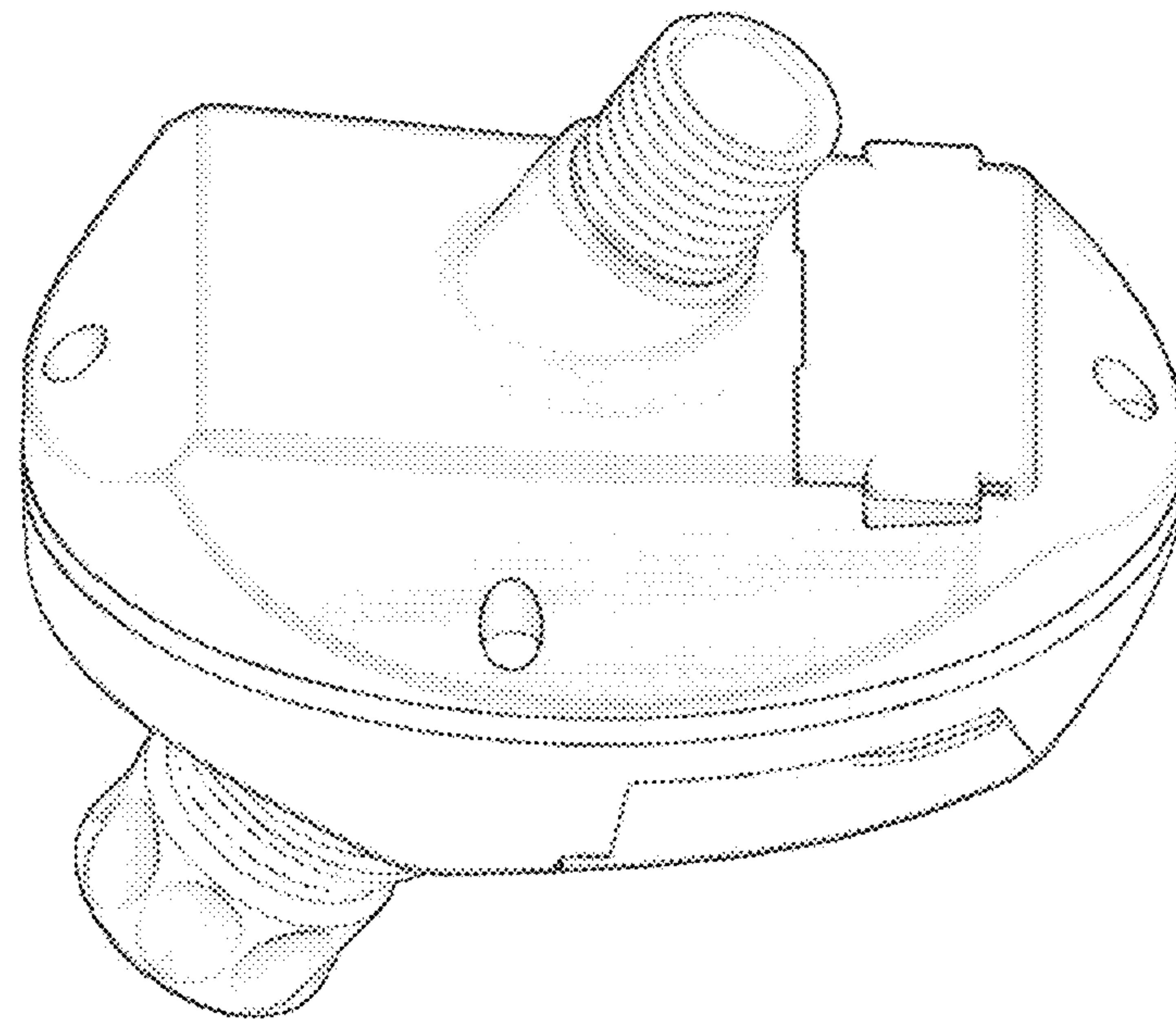


FIGURE 15