



US00D770307S

(12) **United States Design Patent**  
**Jin**

(10) **Patent No.:** **US D770,307 S**  
(45) **Date of Patent:** **\*\* Nov. 1, 2016**

- (54) **ELECTRONIC DEVICE**
- (71) Applicant: **LENOVO (BEIJING) CO., LTD.,**  
Beijing (CN)
- (72) Inventor: **Lingsong Jin,** Beijing (CN)
- (73) Assignee: **Lenovo (Beijing) Co., Ltd.,** Beijing  
(CN)
- (\*\*) Term: **14 Years**
- (21) Appl. No.: **29/501,608**
- (22) Filed: **Sep. 5, 2014**
- (30) **Foreign Application Priority Data**

D373,957 S *	9/1996	Mareschal	.....	D10/30
D436,044 S *	1/2001	Subilia	.....	D10/30
D528,452 S *	9/2006	Coudray	.....	D10/126
D544,372 S *	6/2007	Seyr	.....	D10/32
D547,213 S *	7/2007	Bulgari	.....	D10/39
D567,110 S *	4/2008	Pardoux	.....	D10/31
D567,111 S *	4/2008	Pardoux	.....	D10/31
D572,608 S *	7/2008	Behling	.....	D10/32
D581,813 S *	12/2008	Min	.....	D10/32
D582,793 S *	12/2008	Lalo	.....	D10/38
D593,425 S *	6/2009	Weiss	.....	D10/33
7,635,219 B2 *	12/2009	Seyr	.....	G04B 37/0427 368/283
D637,093 S *	5/2011	Salemi	.....	D10/32
D642,075 S *	7/2011	Crocco	.....	D10/39
D707,148 S *	6/2014	Proud	.....	D11/5
D721,599 S *	1/2015	Gruosi	.....	D10/32
D747,714 S *	1/2016	Erbeus	.....	D10/32
2010/0046328 A1 *	2/2010	Olsen	.....	G04B 19/04 368/30

Mar. 7, 2014 (CN) ..... 2014 3 0044466

- (51) **LOC (10) Cl.** ..... **10-02**
- (52) **U.S. Cl.**  
USPC ..... **D10/32**
- (58) **Field of Classification Search**  
USPC ..... D10/30-39, 1-29, 122-132; D11/3;  
D14/344, 138 R  
CPC ..... G04B 19/00; G04B 19/04; G04B 19/06;  
G04B 19/065; G04B 37/00; G04B 37/0008;  
G04B 37/0058; G04B 37/084; G04B 37/10;  
G04B 37/1486; G04B 17/08; G04G 17/00;  
H04M 1/6041; H04M 1/6066  
See application file for complete search history.

(56) **References Cited**  
U.S. PATENT DOCUMENTS

D190,753 S *	6/1961	Branchi	.....	D11/5
D244,707 S *	6/1977	Tiep	.....	D10/38
4,167,850 A *	9/1979	Schneider	.....	G04B 37/1486 368/282

\* cited by examiner

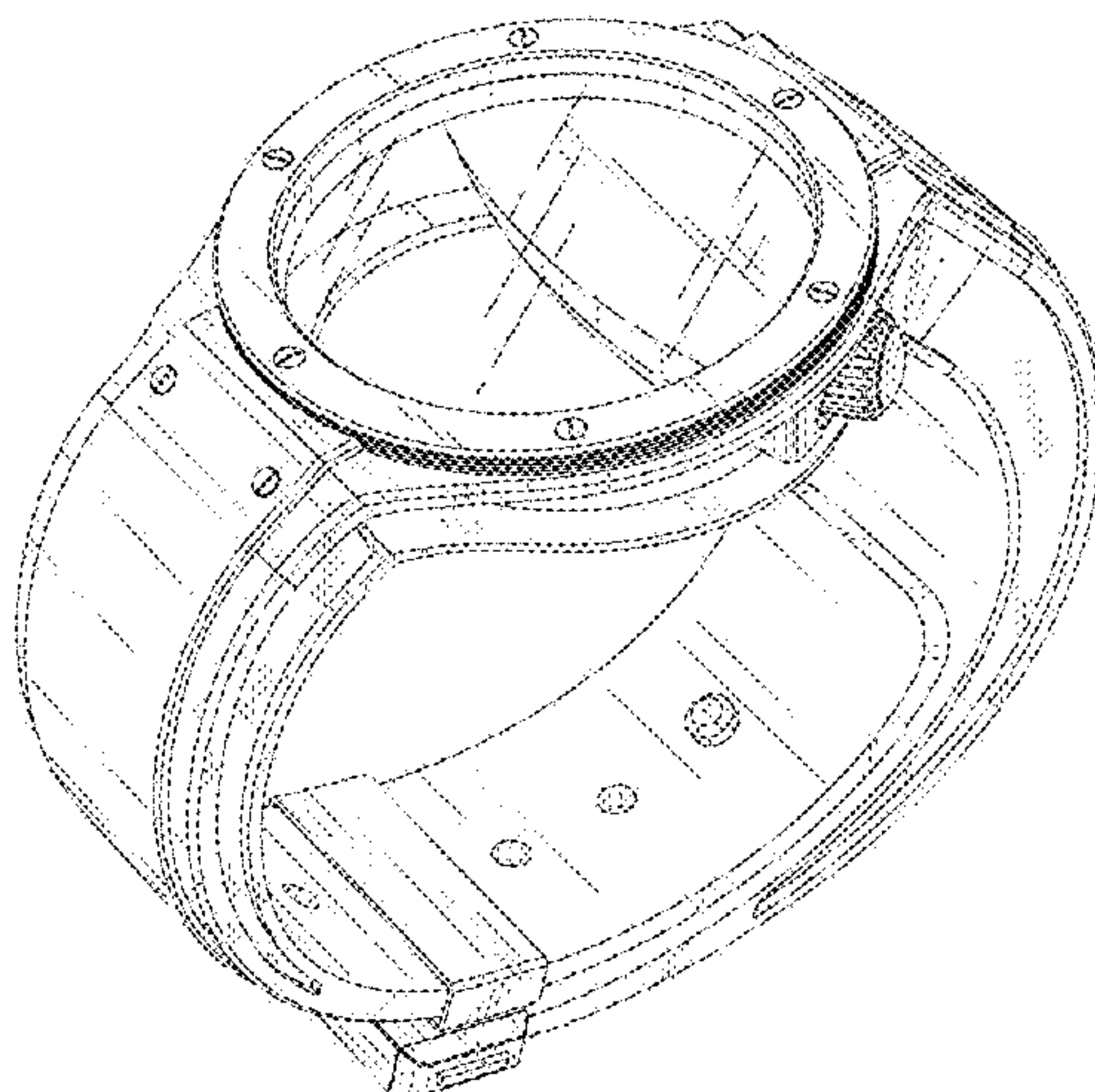
*Primary Examiner* — Sandra Snapp  
(74) *Attorney, Agent, or Firm* — Oppedahl Patent Law Firm LLC

(57) **CLAIM**  
What is claimed is the ornamental design for an electronic device, as shown and described.

**DESCRIPTION**

FIG. 1 is a front view of a first embodiment;  
FIG. 2 is a rear view thereof;  
FIG. 3 is a left view thereof;  
FIG. 4 is a right view thereof;  
FIG. 5 is a top view thereof;  
FIG. 6 is a bottom view thereof; and,  
FIG. 7 is a front side perspective view thereof.

**1 Claim, 7 Drawing Sheets**



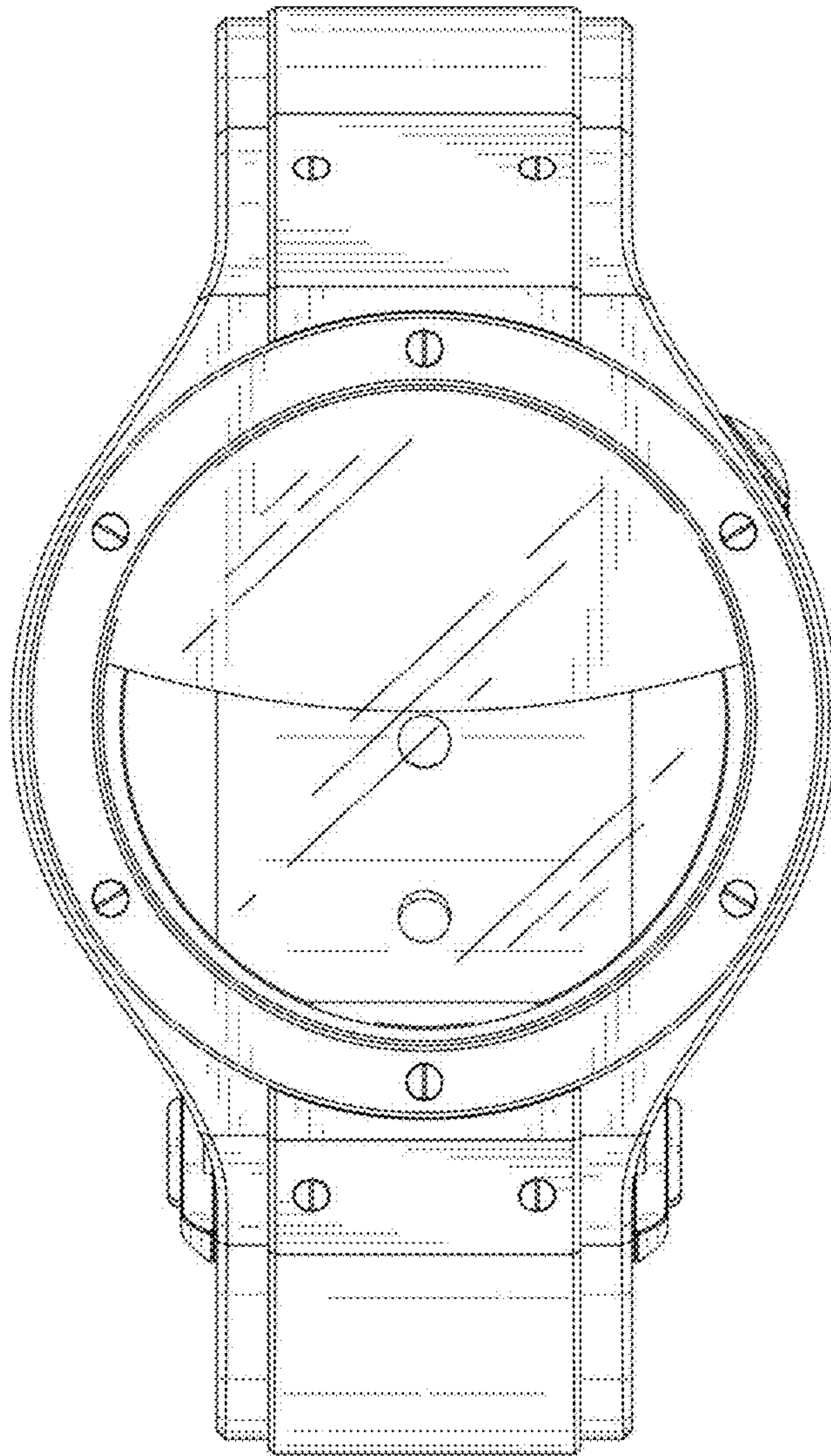


FIG.1

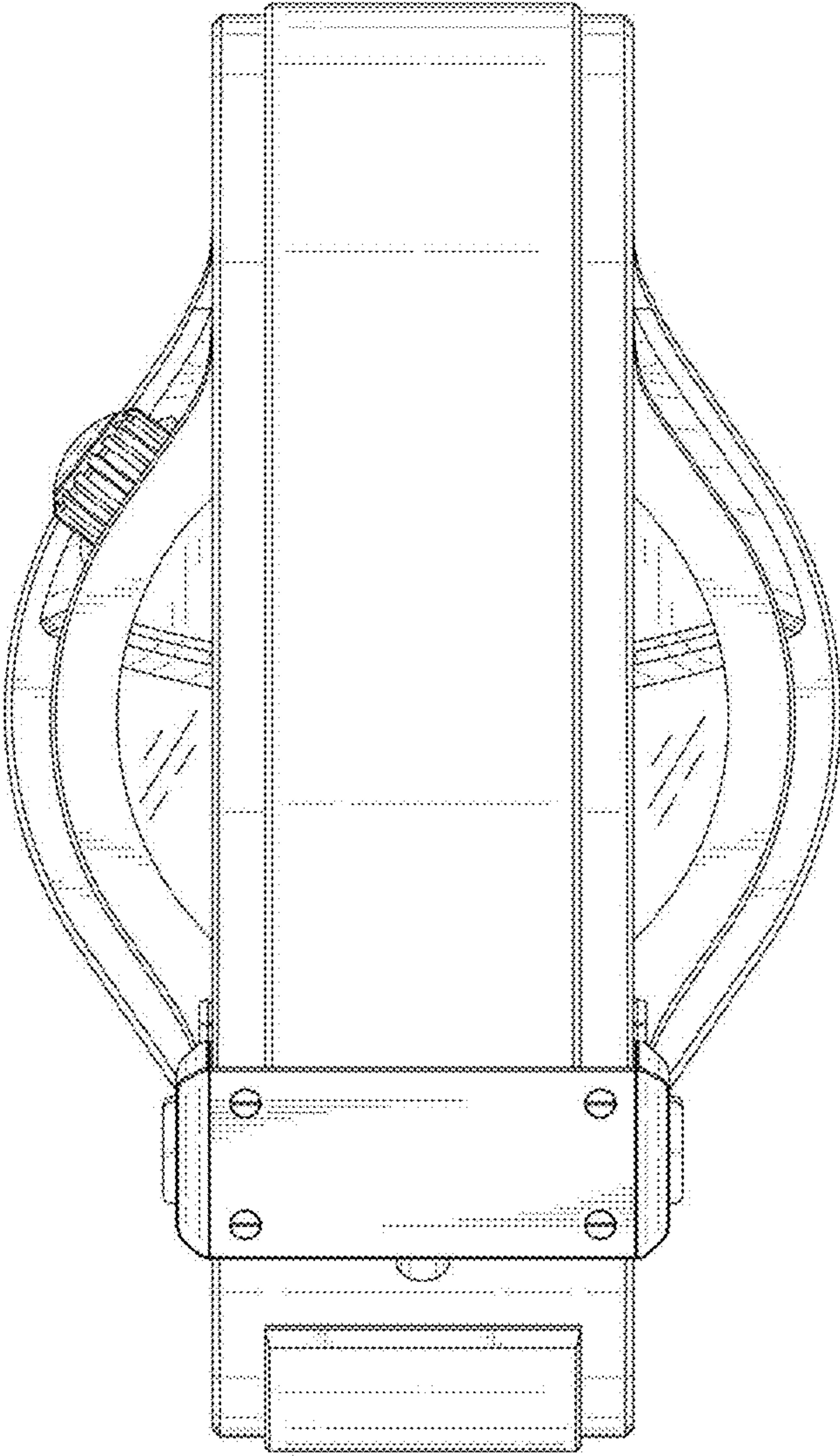


FIG.2



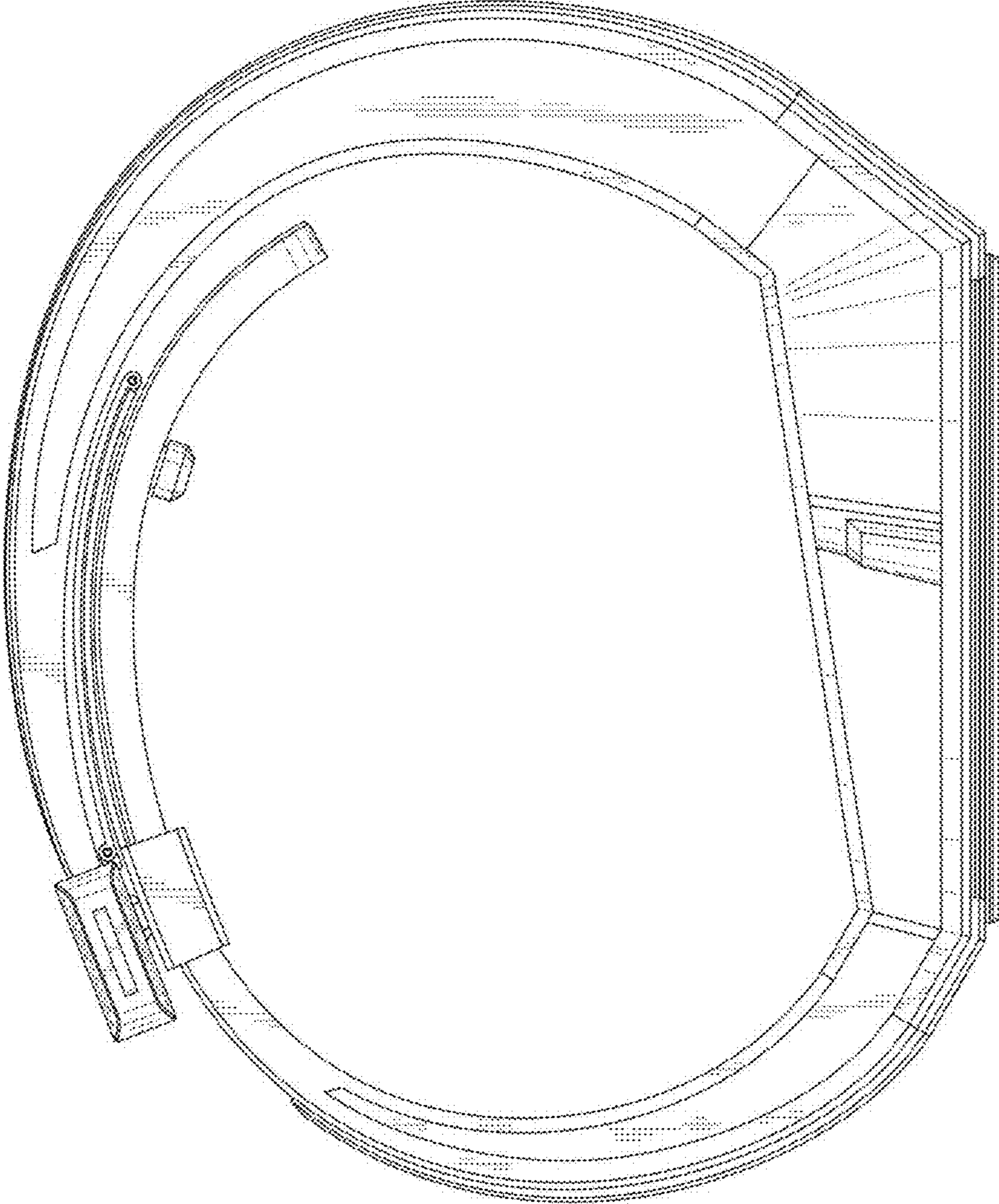


FIG.3

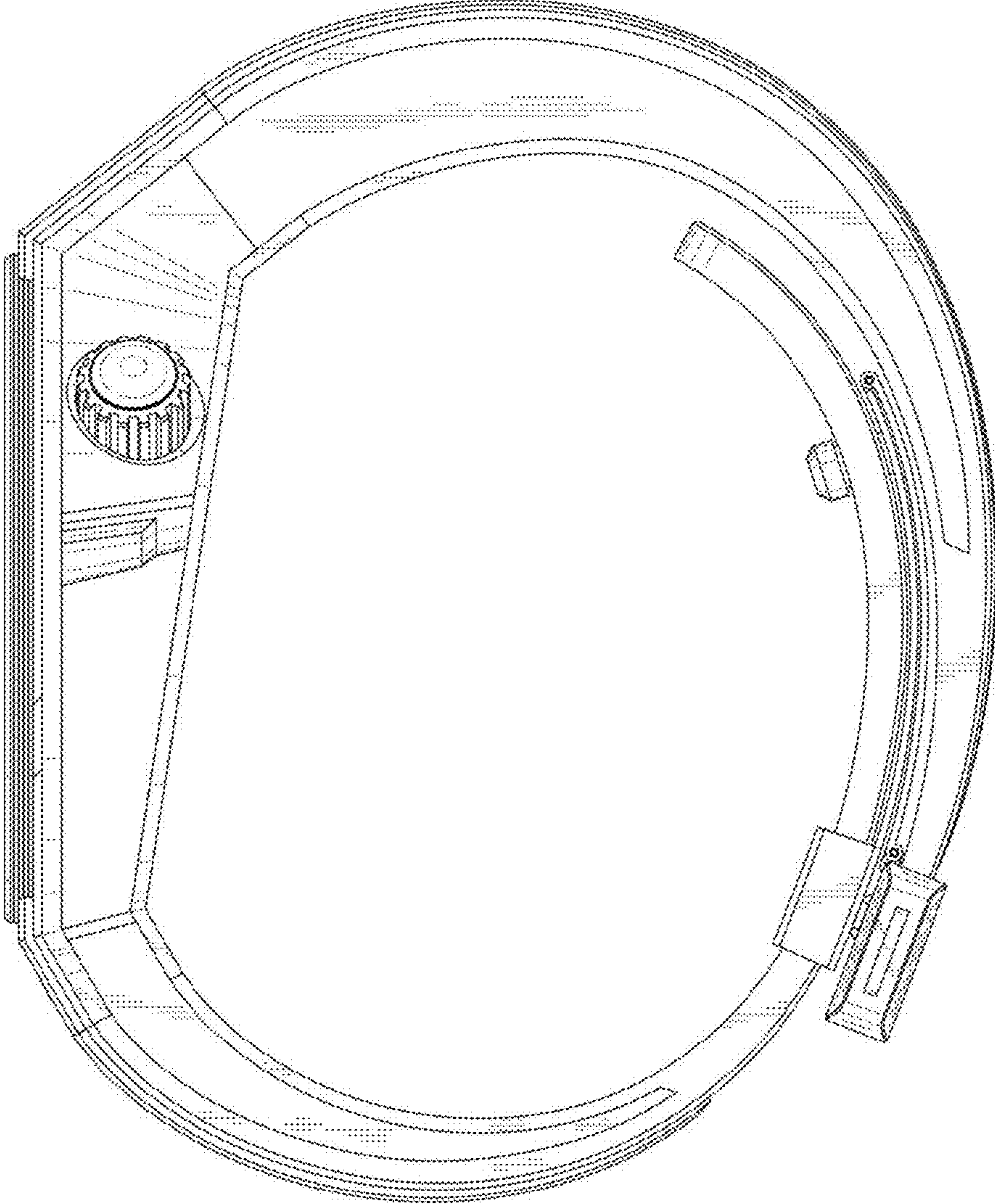


FIG.4

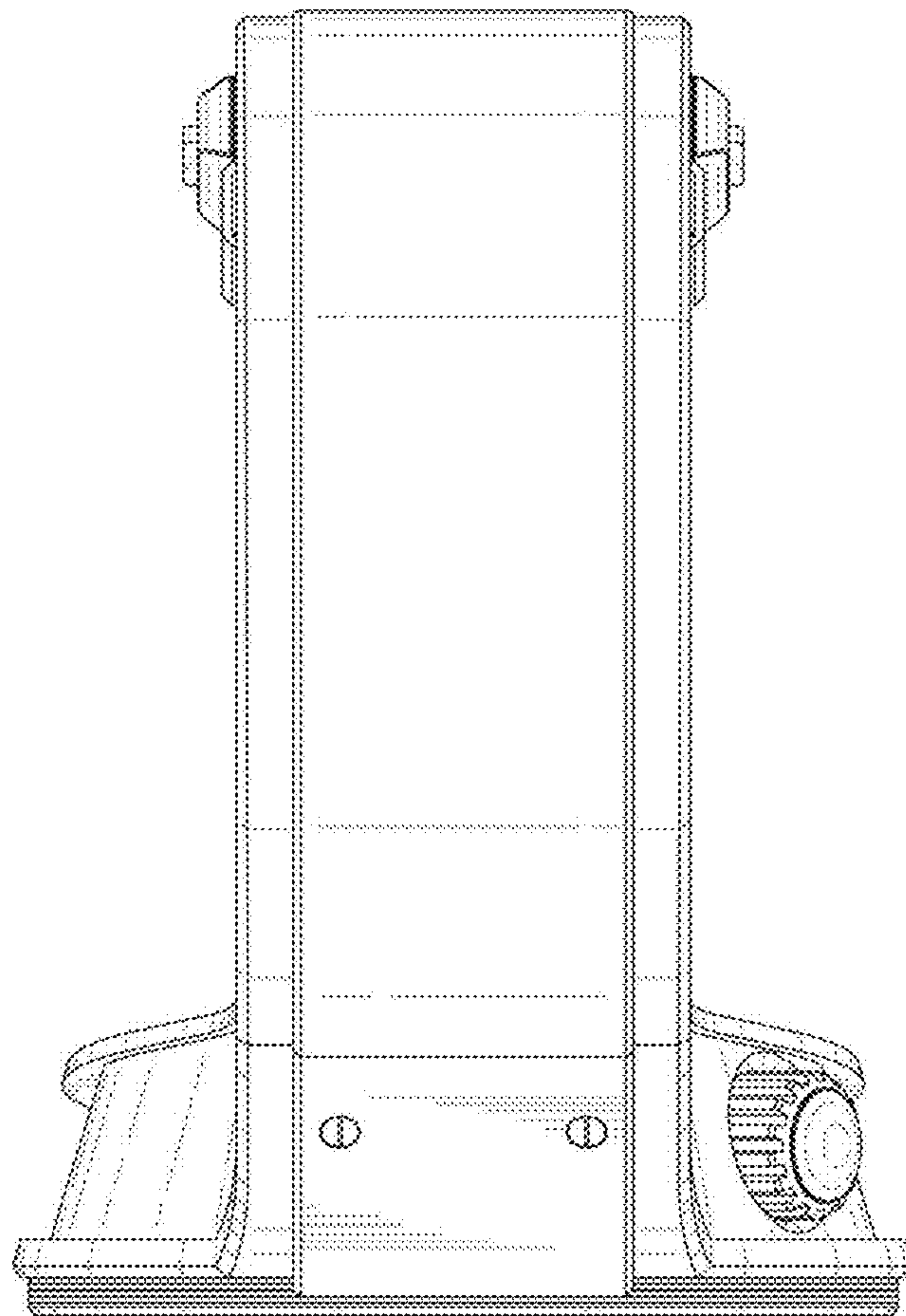


FIG.5

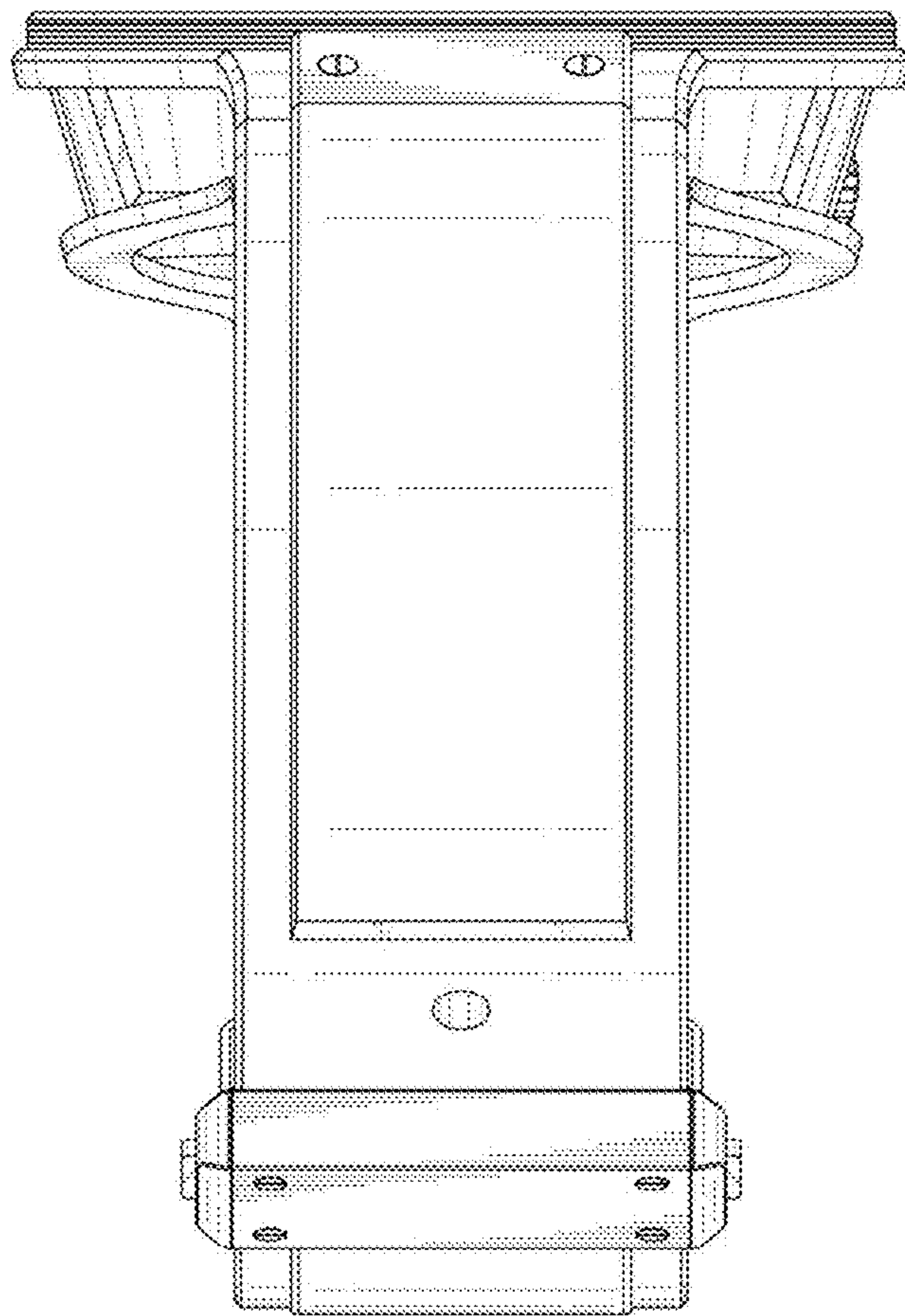


FIG.6



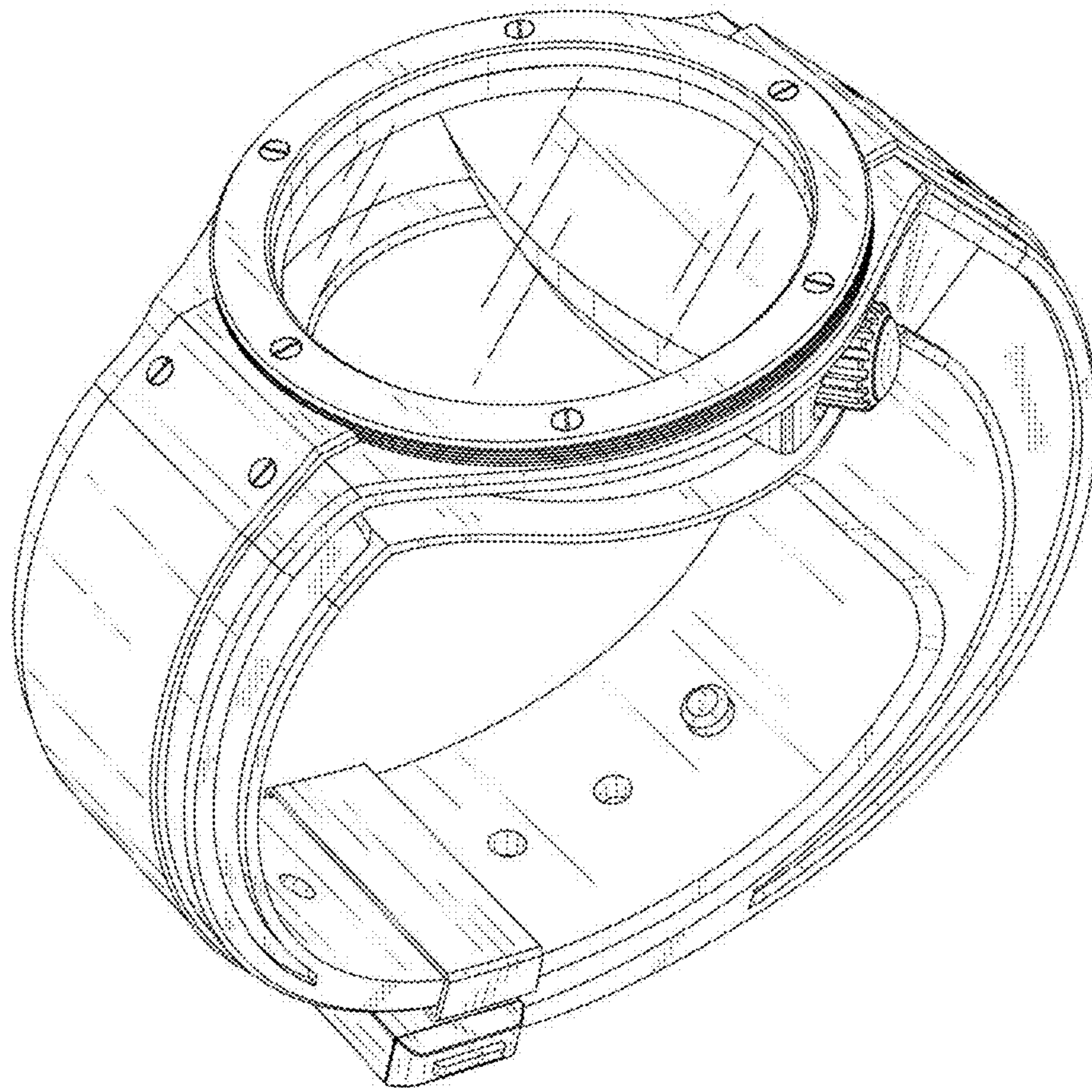


FIG.7