



US00D770306S

(12) **United States Design Patent**
Voirin

(10) **Patent No.:** **US D770,306 S**

(45) **Date of Patent:** **** Nov. 1, 2016**

(54) **WATCHCASE**

(71) Applicant: **LONGINES WATCH CO.,
FRANCILLON LTD., St-Imier (CH)**

(72) Inventor: **Alexandre Voirin, Morteau (FR)**

(73) Assignee: **LONGINES WATCH CO.,
FRANCILLON LTD., St-Imier (CH)**

(**) Term: **15 Years**

(21) Appl. No.: **29/536,570**

(22) Filed: **Aug. 18, 2015**

(30) **Foreign Application Priority Data**

Feb. 18, 2015 (WO) DM/085685

(51) **LOC (10) Cl.** **10-02**

(52) **U.S. Cl.**
USPC **D10/30; D10/38**

(58) **Field of Classification Search**
USPC D10/30-39, 1-29, 122-132; 368/10,
368/15-18, 21, 28, 37, 80, 223, 228, 232,
368/276, 277, 281, 282, 285, 294, 295, 308,
368/319
CPC G04B 17/00; G04B 17/02; G04B 17/005;
G04B 17/285; G04B 37/00; G04B 37/0008;
G04B 37/0058; G04B 45/00; G04B 45/038;
G04B 45/0069; G04B 45/0076; G04B 45/02;
G04B 29/00
See application file for complete search history.

(56) **References Cited**

U.S. PATENT DOCUMENTS

- 2,229,979 A * 1/1941 Kramer G04B 37/081
368/291
- 2,709,333 A * 5/1955 Fengler G04B 39/004
368/294
- D329,612 S * 9/1992 Hysek D10/30
- D333,988 S * 3/1993 Dumas D10/30
- D350,288 S * 9/1994 Giardiello D10/30

- 5,363,350 A * 11/1994 Marr-
Andre G04B 37/0008
368/276
- D373,957 S * 9/1996 Mareschal D10/30
- D378,805 S * 4/1997 Riley D10/30
- D384,896 S * 10/1997 Woo D10/30
- D386,421 S * 11/1997 Kennedy D10/30
- D447,063 S * 8/2001 Scheufele D10/30
- D492,207 S * 6/2004 Rizzetto D10/30
- D507,496 S * 7/2005 Tang D10/30
- D508,654 S * 8/2005 Tada D10/32
- D607,756 S * 1/2010 Perrenoud D10/38
- D645,361 S * 9/2011 Parmigiani D10/38
- D651,099 S * 12/2011 Ruffieux D10/38
- D694,655 S * 12/2013 Rufenacht D10/38
- D725,493 S * 3/2015 Rimanelli D10/30
- D743,282 S * 11/2015 Park D10/30
- D748,501 S * 2/2016 Cerrato D10/30
- D749,431 S * 2/2016 Babcock D10/30
- D756,239 S * 5/2016 Delhotal D10/30
- D756,805 S * 5/2016 Delhotal D10/30

* cited by examiner

Primary Examiner — Susan Bennett Hattan

Assistant Examiner — Jennifer Wright

(74) *Attorney, Agent, or Firm* — Donald J. Ranft; Collen IP

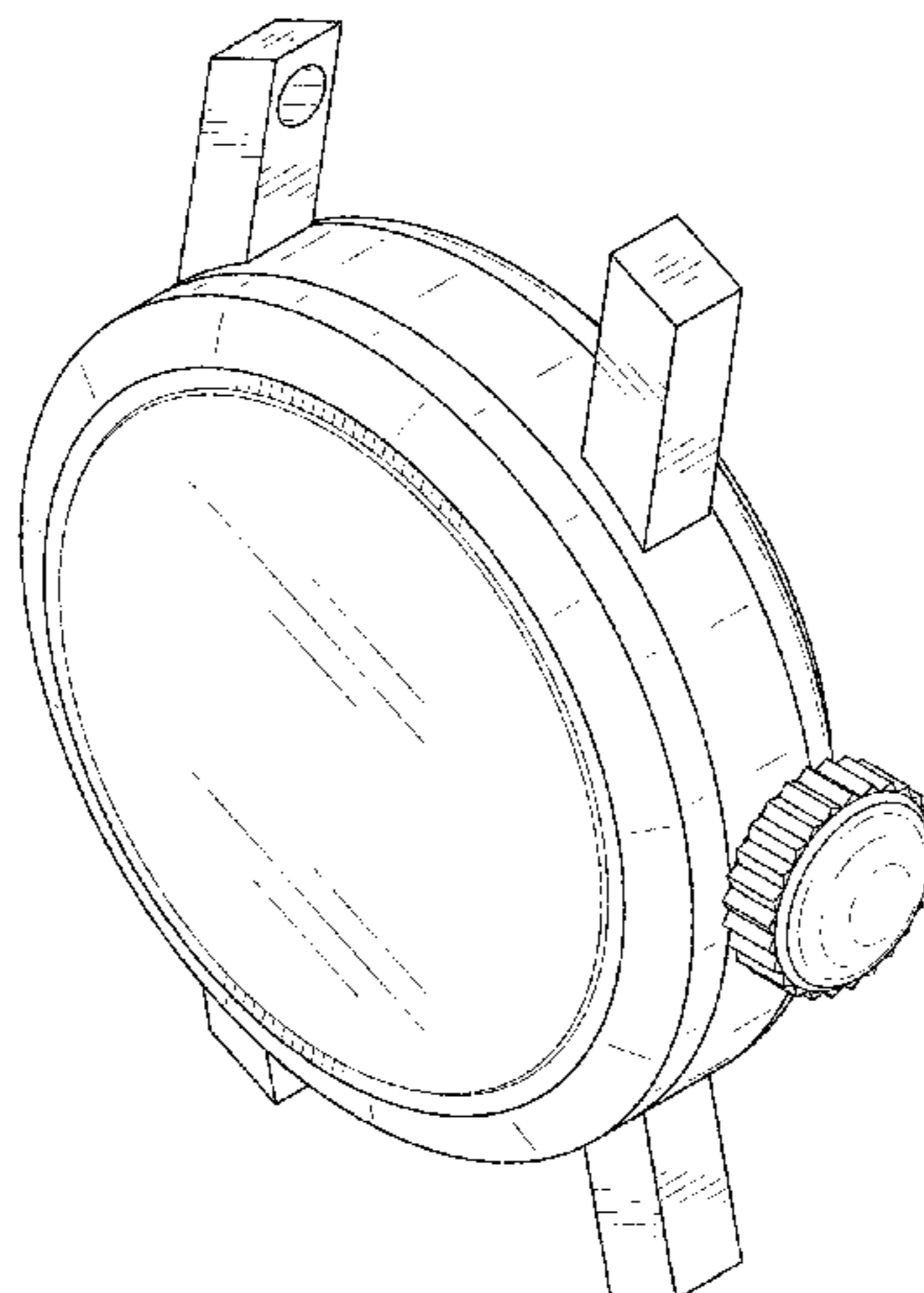
(57) **CLAIM**

The ornamental design for a watchcase, as shown.

DESCRIPTION

FIG. 1 is a front right perspective view of a watchcase showing my new design;
 FIG. 2 is a front left perspective view thereof;
 FIG. 3 is a rear right perspective view thereof;
 FIG. 4 is a rear left perspective view thereof;
 FIG. 5 is a front view thereof;
 FIG. 6 is a rear view thereof;
 FIG. 7 is a left side view thereof;
 FIG. 8 is a right side view thereof;
 FIG. 9 is a top view thereof; and,
 FIG. 10 is a bottom view thereof.

1 Claim, 8 Drawing Sheets



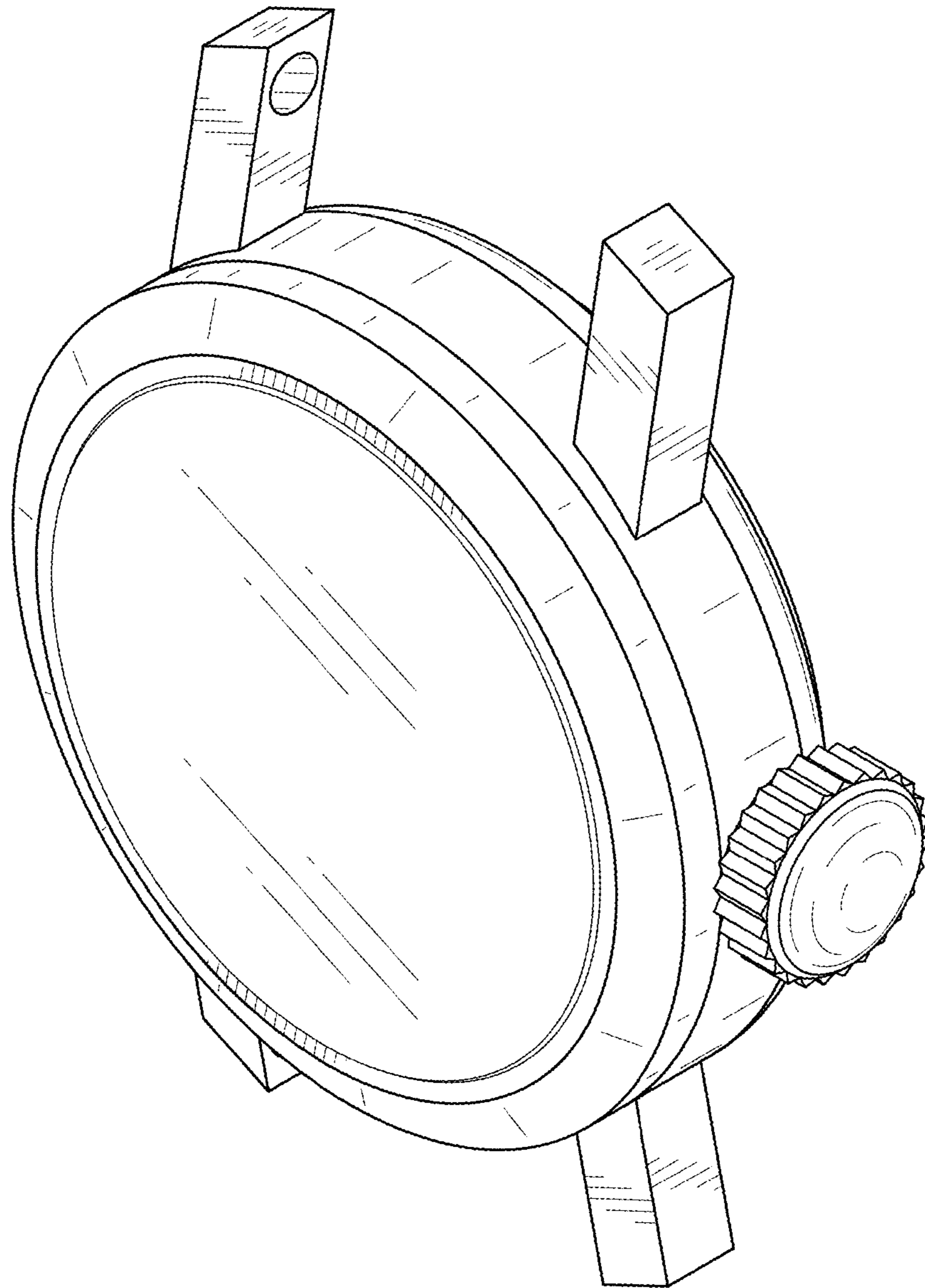


FIG. 1

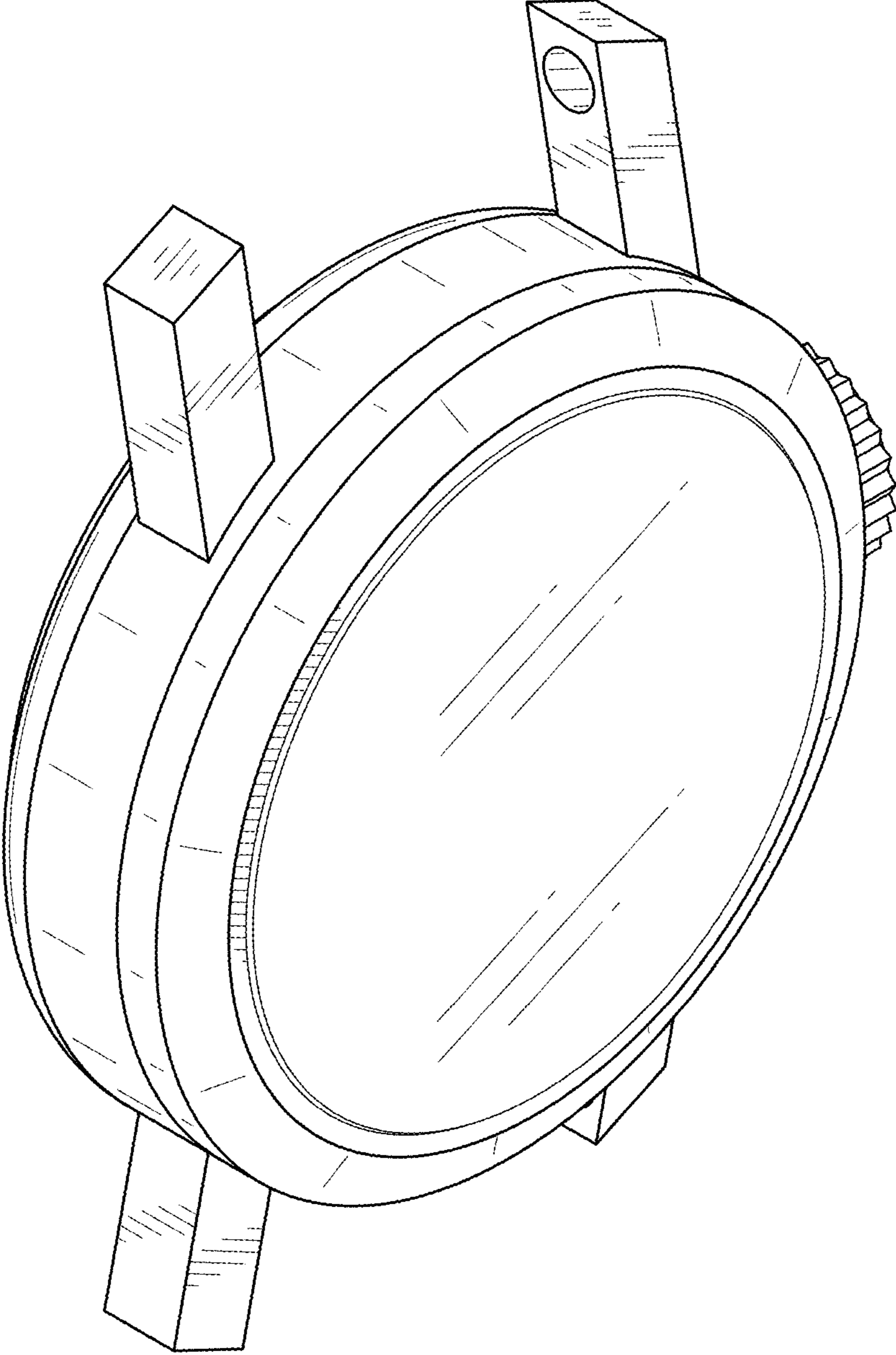


FIG. 2

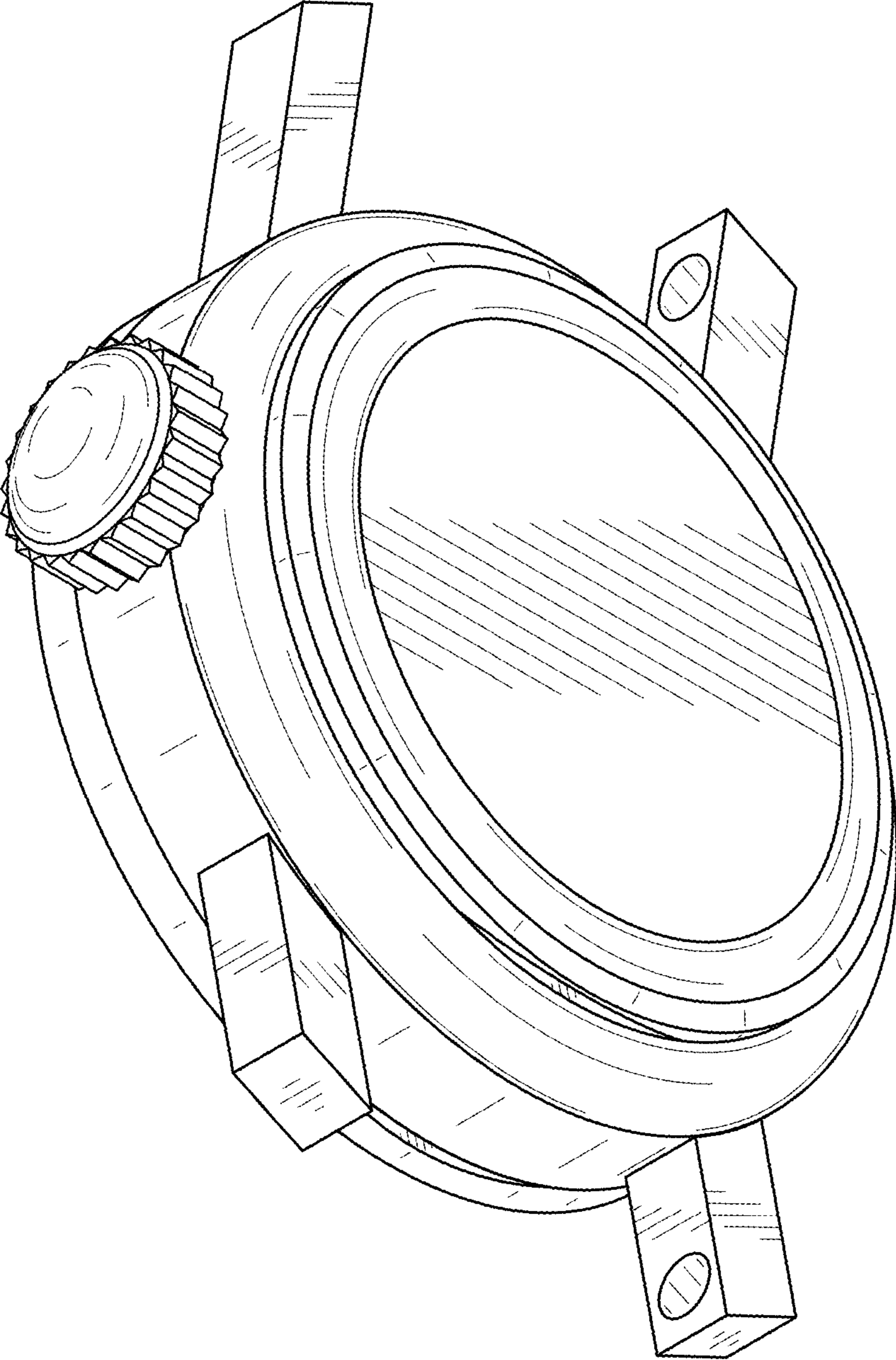


FIG. 3

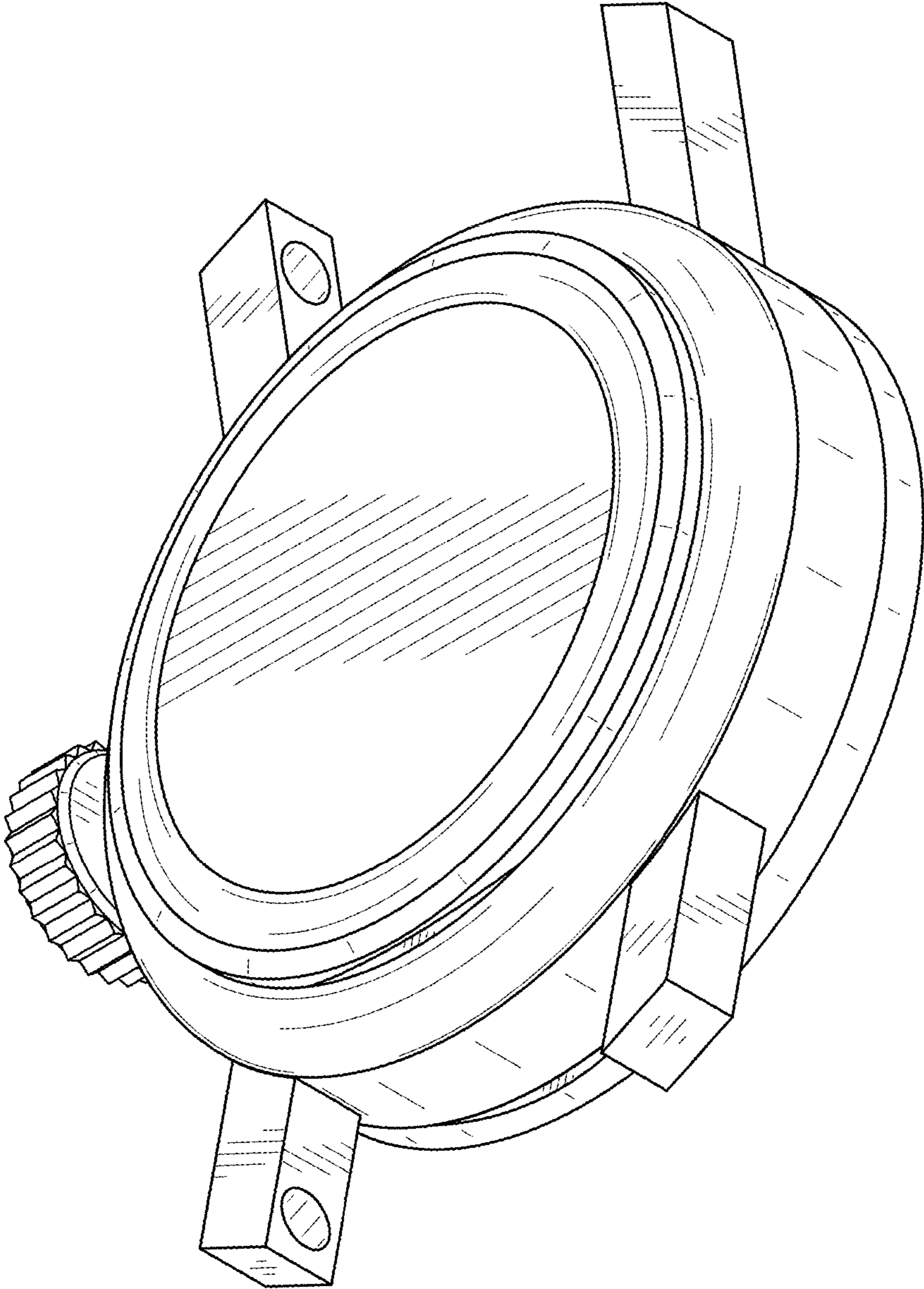


FIG. 4

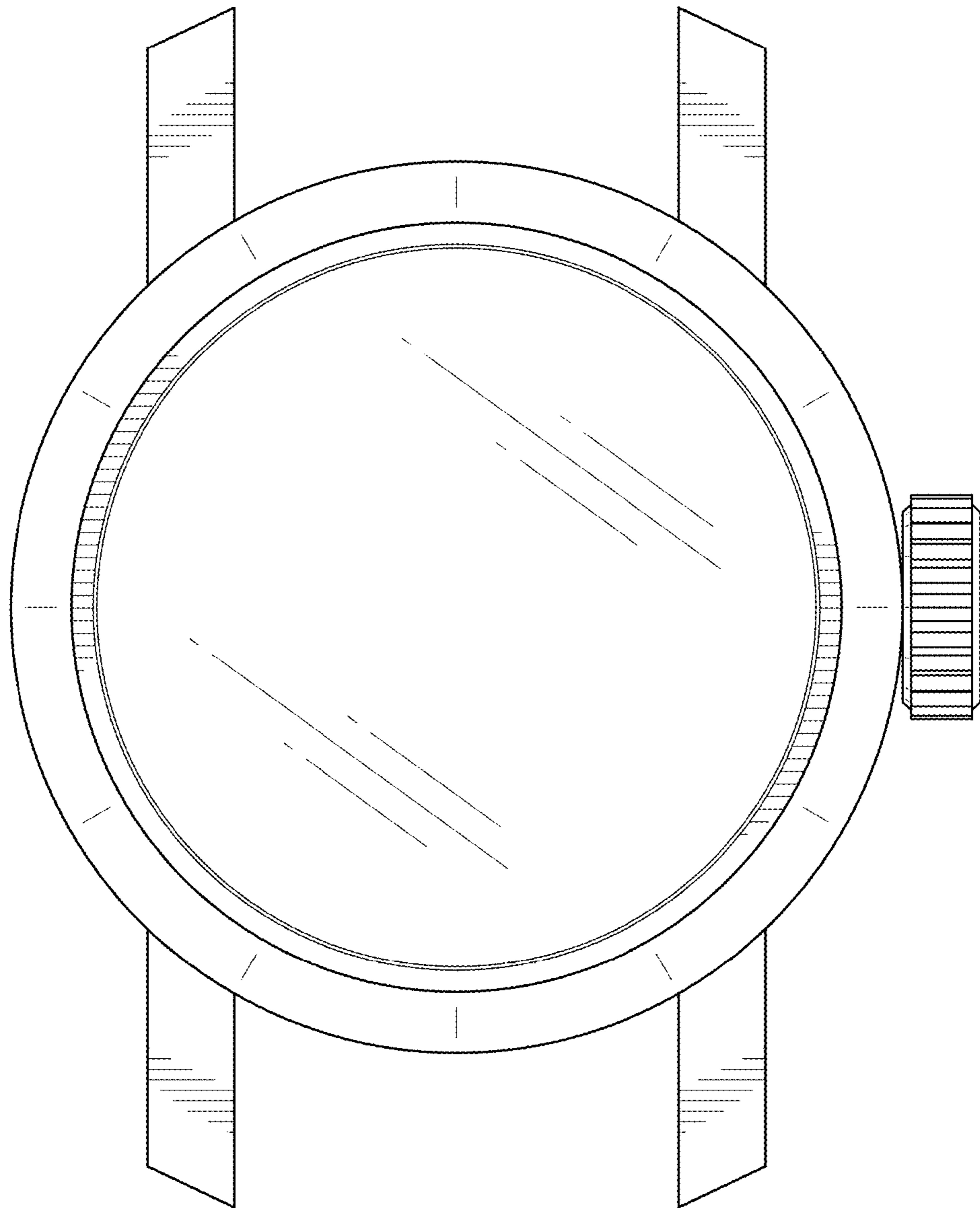


FIG. 5

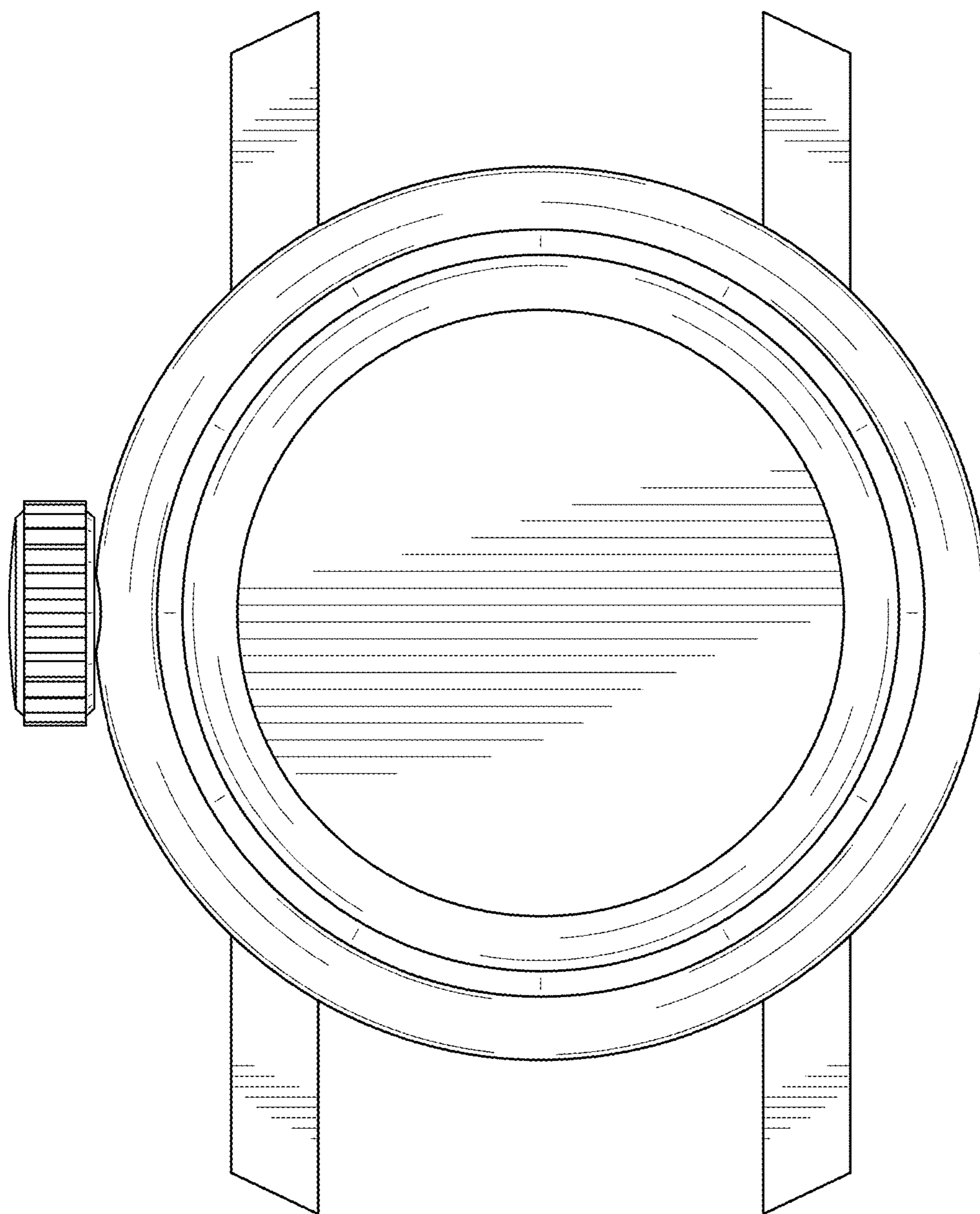


FIG. 6

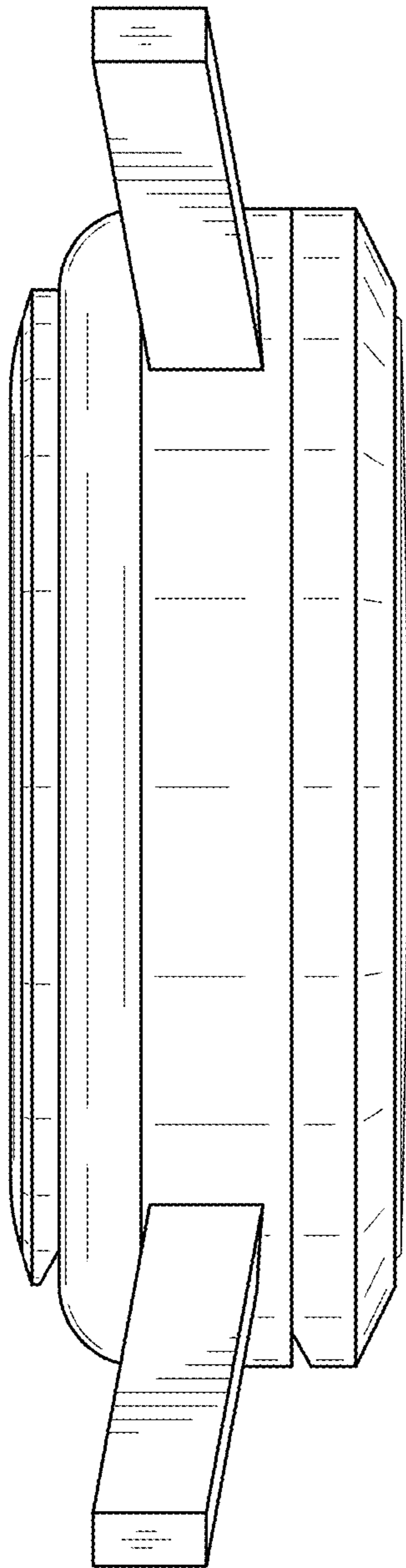


FIG. 7

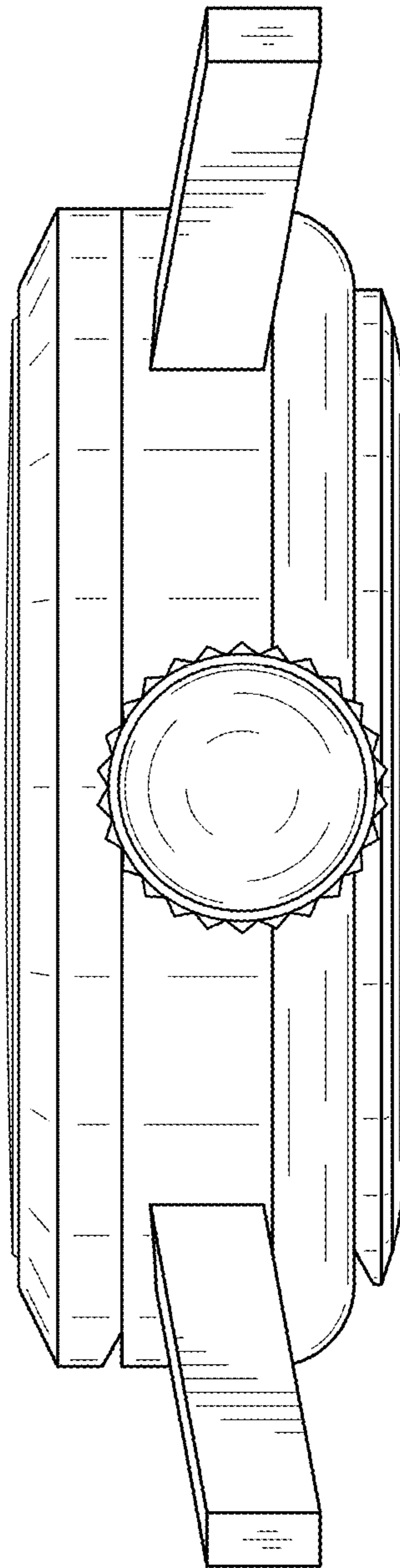


FIG. 8

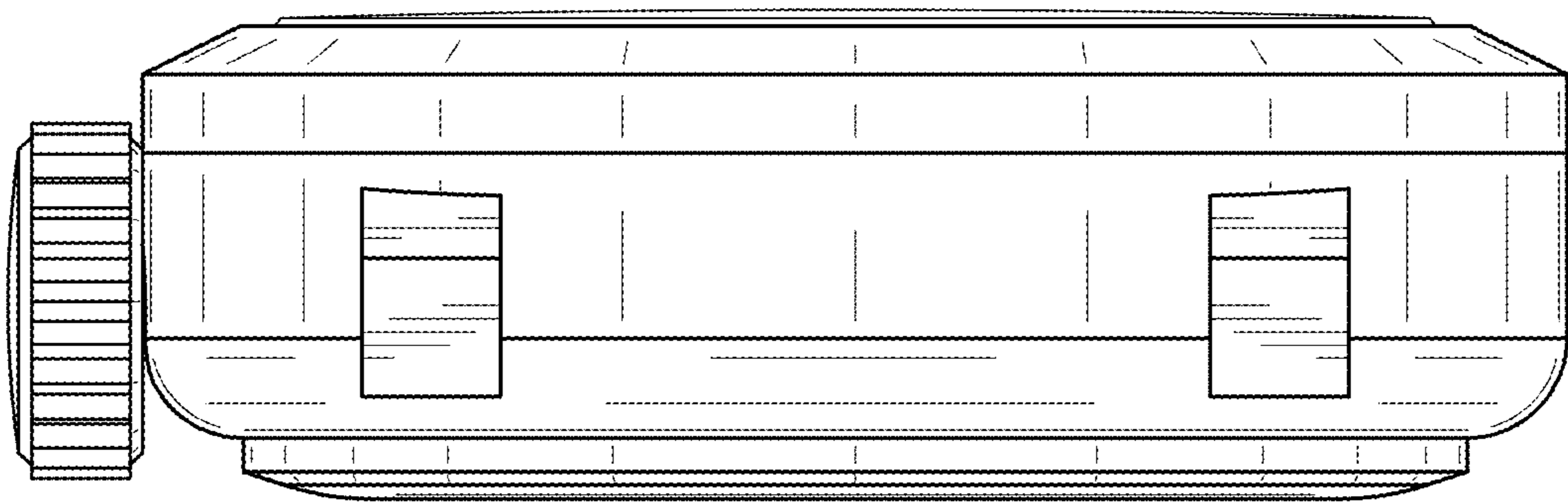


FIG. 9

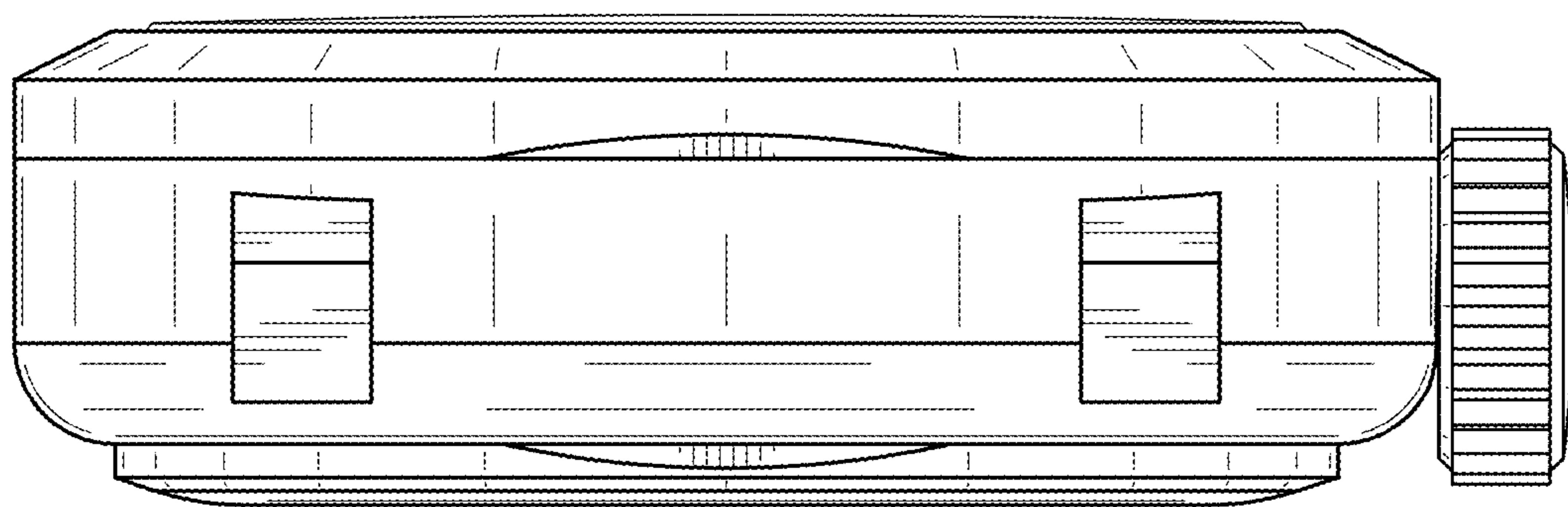


FIG. 10