



US00D770303S

(12) **United States Design Patent** (10) **Patent No.:** **US D770,303 S**
Gelbaum (45) **Date of Patent:** **** Nov. 1, 2016**

- (54) **OVERLAY FOR MEDICATION CARD**
- (71) Applicant: **CHIASMA INC.**, Waltham, MA (US)
- (72) Inventor: **Dana Gelbaum**, Tel Aviv (IL)
- (73) Assignee: **CHIASMA INC.**, Waltham, MA (US)
- (**) Term: **14 Years**
- (21) Appl. No.: **29/516,534**
- (22) Filed: **Feb. 3, 2015**
- (51) **LOC (10) Cl.** **09-01**
- (52) **U.S. Cl.**
USPC **D9/732**
- (58) **Field of Classification Search**
USPC D9/414, 424, 456, 732, 737, 756, 759,
D9/761; 206/261, 461, 462, 467, 469, 470,
206/471, 528, 530, 531, 532, 534, 534.1,
206/534.2, 535-540; D24/227, 229, 230
CPC B65D 75/327; B65D 2585/56; B65D
75/367; B65D 75/32; B65D 2575/3227;
B65D 83/0445; B65D 2575/367; B65D
2575/3245; B65D 83/04; B65D 75/22;
B65D 75/5855; B65D 75/323; B65D
2543/00296; B65D 5/4204; B65D 25/04;
B65D 75/52; B65D 75/585; B65D 73/0035;
B65D 73/0085; B65D 75/58; B65D
2543/00194; B65D 1/36; B65D 73/0078;
B65D 2543/00805; B65D 73/0042; B65D
75/225; B65D 77/30; B65D 2543/00092;
B65D 75/522; B65D 1/0223
See application file for complete search history.

(56) **References Cited**
U.S. PATENT DOCUMENTS

3,958,690	A	5/1976	Gee, Sr.
4,084,695	A	4/1978	Halbich
4,253,572	A	3/1981	Halbich
4,372,445	A	2/1983	Keffeler
4,384,649	A	5/1983	Brodsky
5,377,839	A	1/1995	Relyea et al.

6,082,544	A	7/2000	Romick	
D546,198	S *	7/2007	Currie	D9/732
D562,153	S *	2/2008	Ruble	D9/732
7,328,801	B2 *	2/2008	Iossi	B65D 75/327 206/528

(Continued)

OTHER PUBLICATIONS

MeadWestvaco Corporation, Dosepak® Medication Adherence Packaging, <http://mwv.com/en-us/healthcare/products/dosepak-medication-adherence-packaging>, 2015.
MeadWestvaco Corporation, Dosepak Express® with Optilock® technology, <http://mwv.com/en-us/healthcare/products/dosepak-express-with-optilock-technology>, 2015.

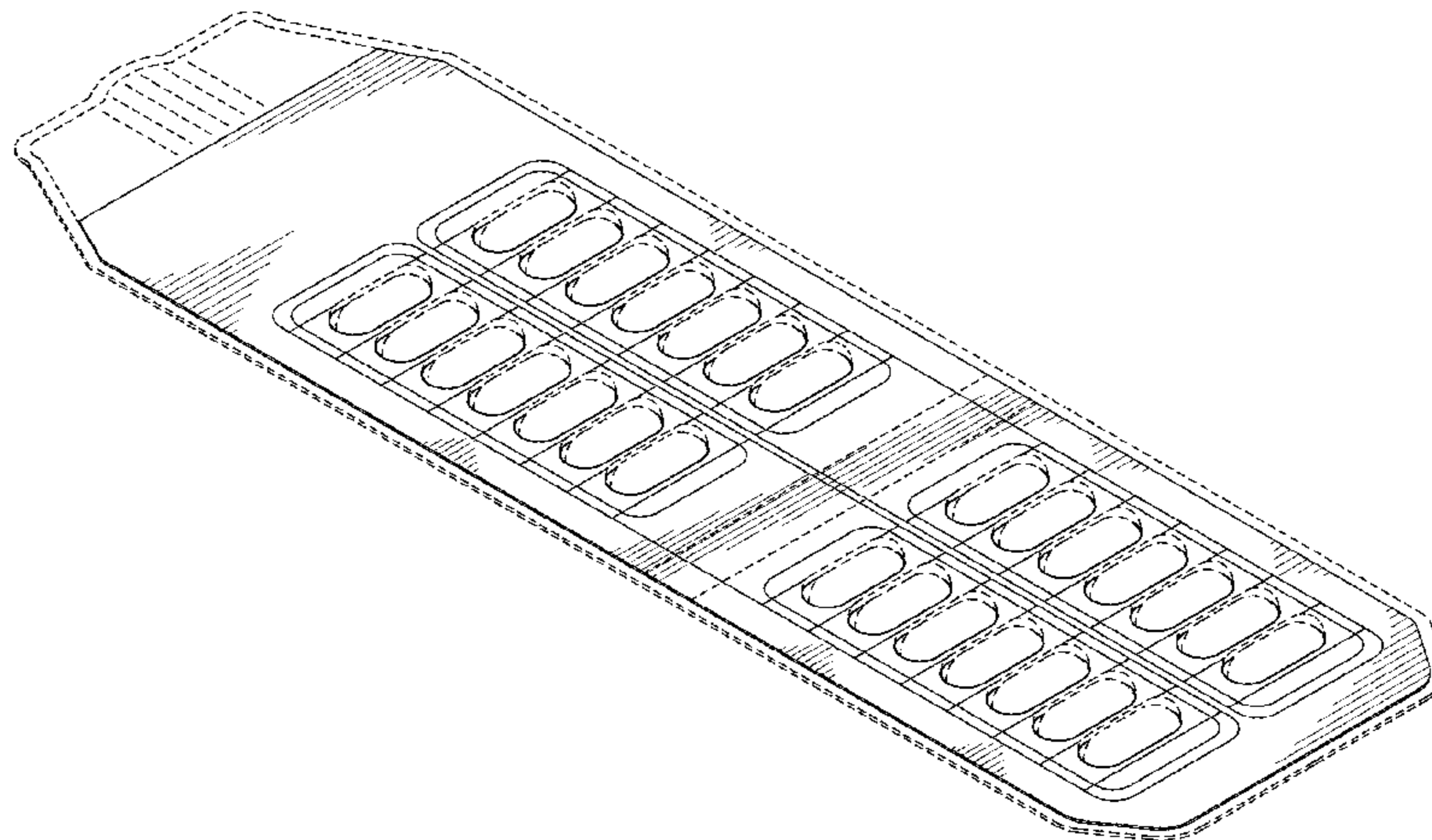
Primary Examiner — Derrick Holland
Assistant Examiner — Lauren Calve
(74) *Attorney, Agent, or Firm* — Lando & Anastasi, LLP

(57) **CLAIM**
The ornamental design for an overlay for medication card, as shown and described.

DESCRIPTION

This application relates to U.S. patent application Ser. No. 14/612,873 entitled Overlay for Medication Card, by Dana Gelbaum, filed on even date herewith and incorporated herein by reference.
FIG. 1 is a perspective view of an overlay for medication card in environmental use;
FIG. 2 is an exploded perspective view thereof;
FIG. 3 is a front view of the overlay for medication card;
FIG. 4 is a rear view thereof;
FIG. 5 is a top view thereof;
FIG. 6 is a bottom view thereof;
FIG. 7 is a right side view thereof;
FIG. 8 is a left side view thereof; and,
FIG. 9 is a perspective view of the overlay for medication card shown in an alternate position in an environmental use. The broken lines shown represent unclaimed subject matter and form no part of the claimed design.

1 Claim, 6 Drawing Sheets



(56)

References Cited

U.S. PATENT DOCUMENTS

7,389,875	B2 *	6/2008	Sandberg	B65D 5/38 206/1.5
D622,158	S *	8/2010	Proulx	D9/732
8,100,262	B2 *	1/2012	Jones	B65D 83/0463 206/468
D658,991	S *	5/2012	Schmitz	D9/457
D684,482	S *	6/2013	Stevens	D9/732
D723,390	S *	3/2015	Eriksson	D9/732
2006/0144747	A1 *	7/2006	Le	A61J 7/0481 206/531
2007/0068843	A1 *	3/2007	Hession	B65D 5/0227 206/538
2008/0093252	A1 *	4/2008	Hession	B65D 5/38 206/531
2009/0283438	A1 *	11/2009	Bourque	A61J 1/03 206/531
2010/0096292	A1 *	4/2010	Jones	B65D 83/0463 206/531
2010/0108677	A1 *	5/2010	Loftin	A61J 1/035 220/265
2013/0037436	A1	2/2013	Wagner et al.		

* cited by examiner

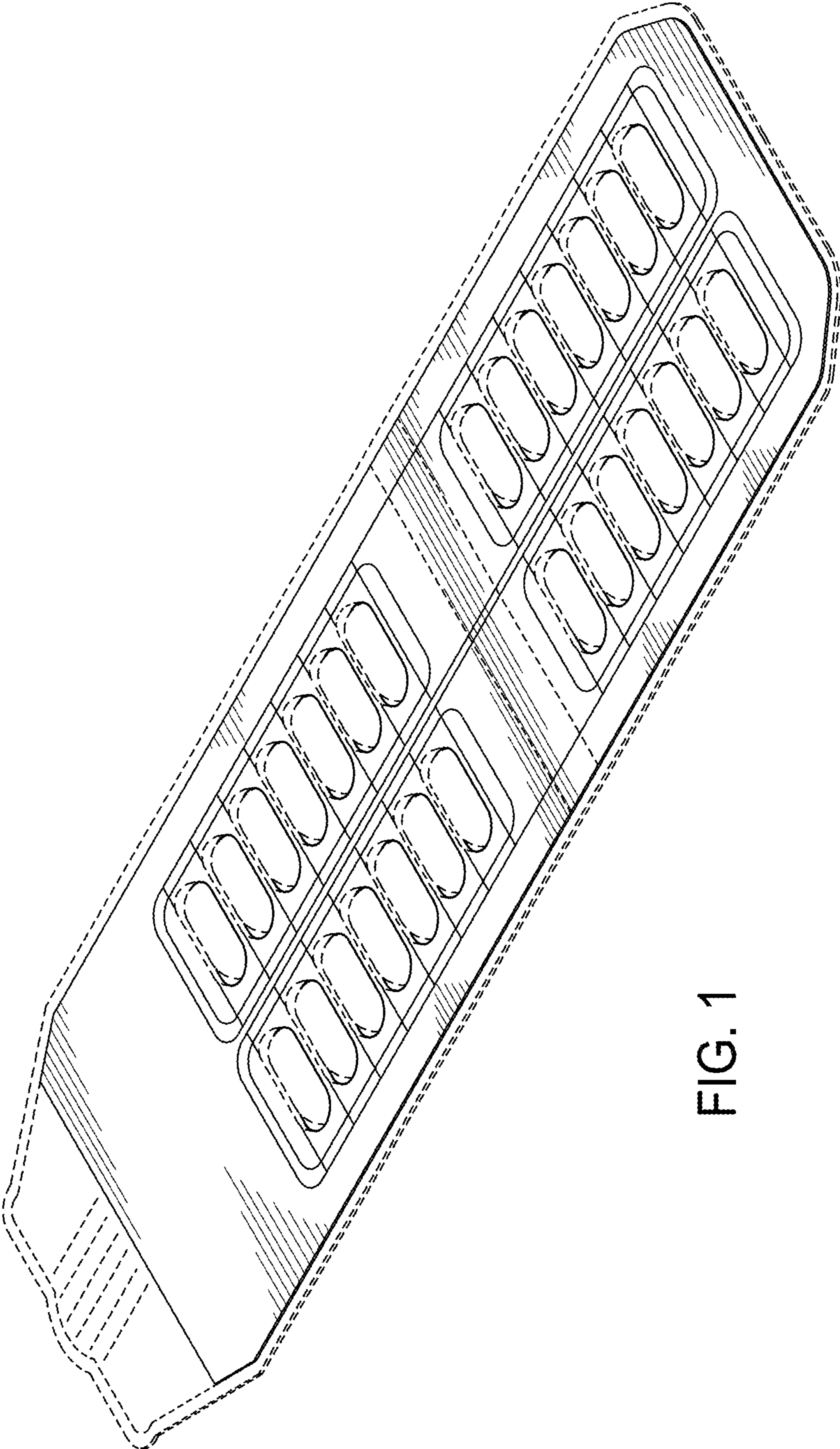


FIG. 1

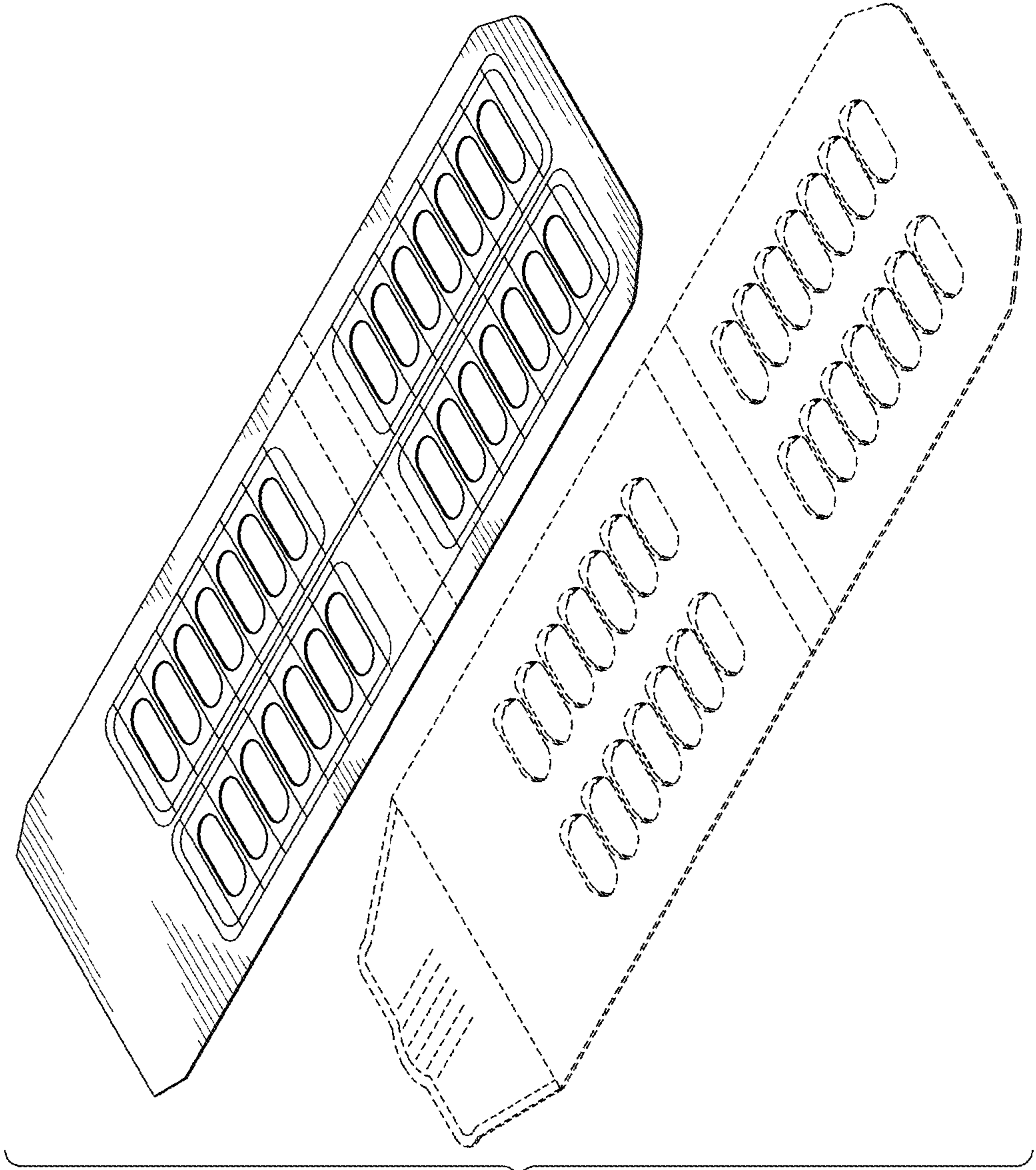


FIG. 2

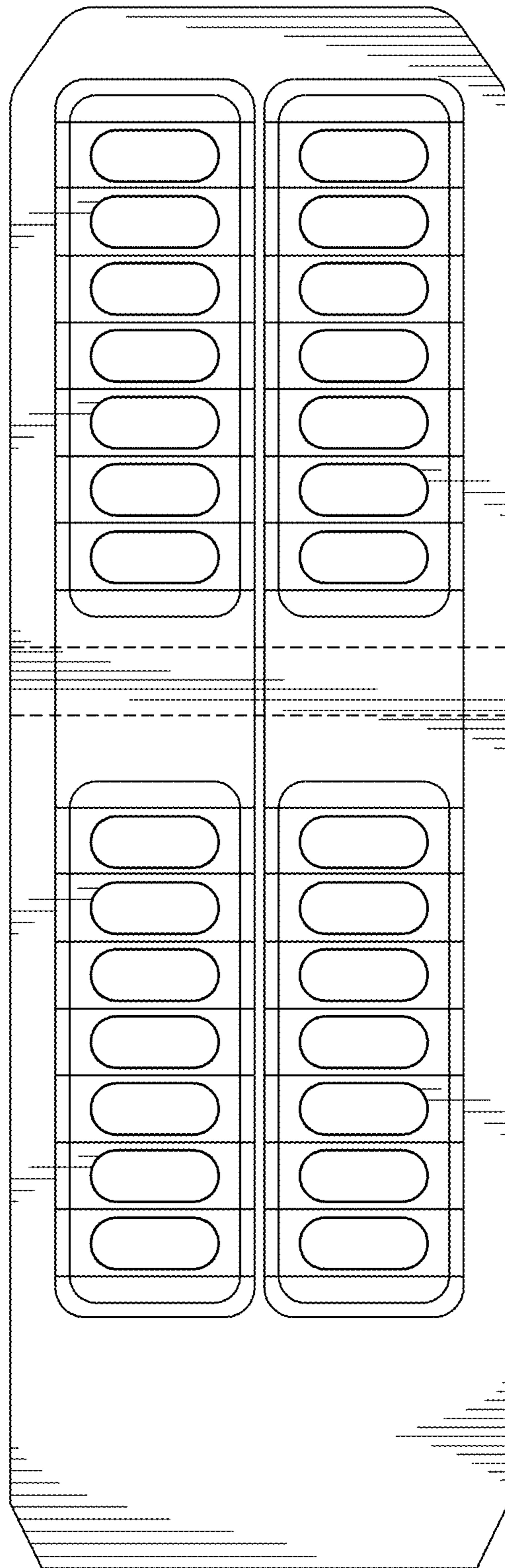


FIG. 3

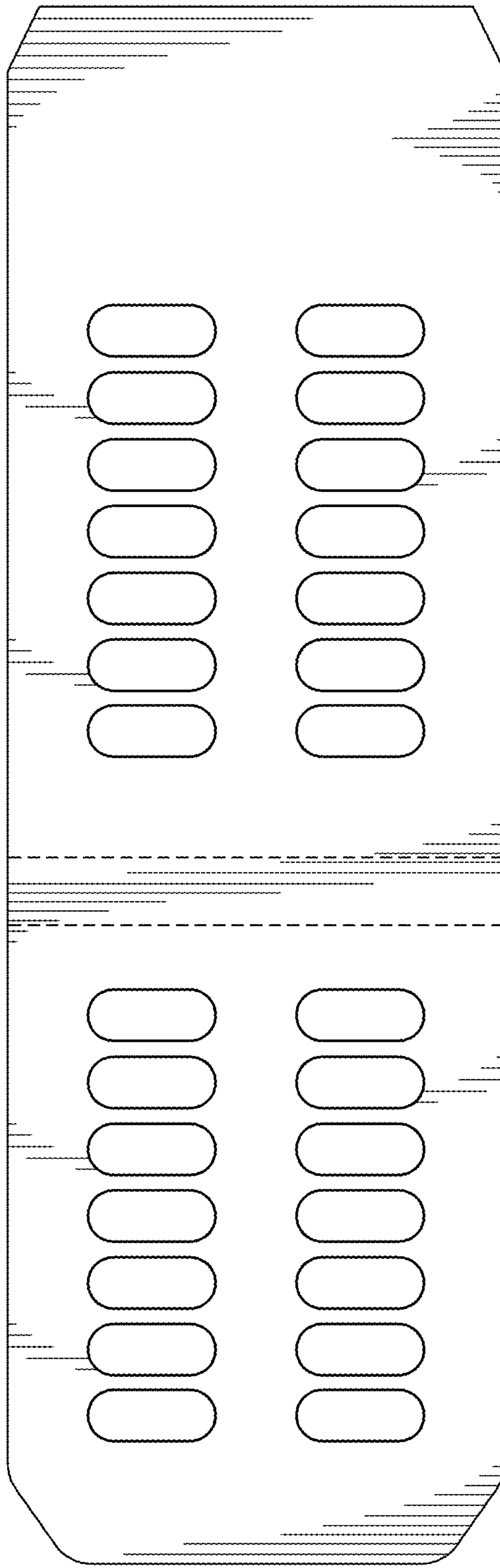


FIG. 4

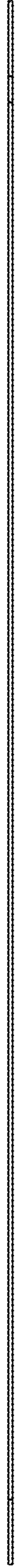


FIG. 5



FIG. 6



FIG. 8



FIG. 7

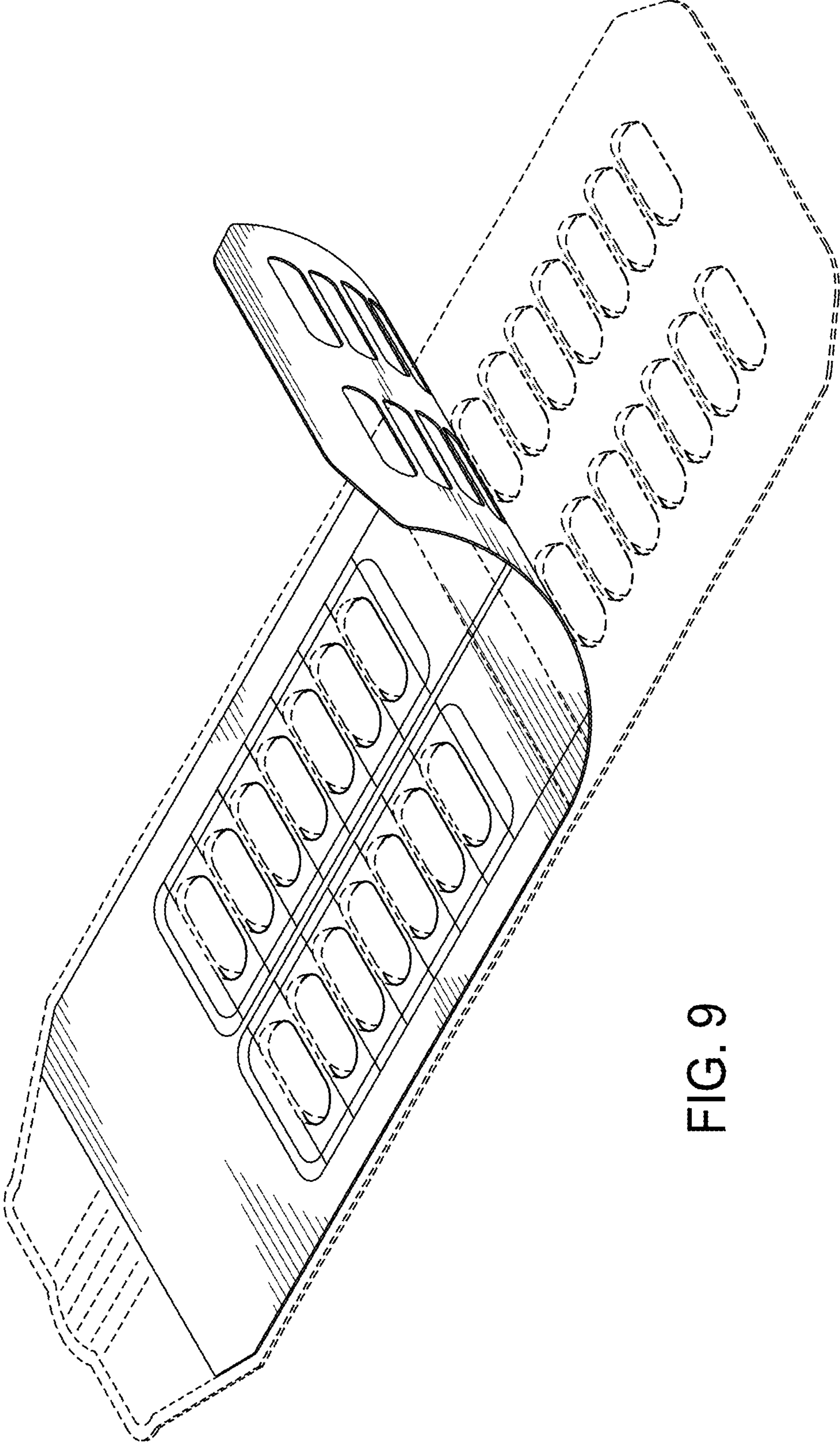


FIG. 9