



US00D770302S

(12) **United States Design Patent**
Oelz et al.

(10) **Patent No.:** **US D770,302 S**

(45) **Date of Patent:** **** *Nov. 1, 2016**

(54) **DISPENSER**

(71) Applicants: **Alexander Markus Oelz**, Constantia (ZA); **Robert James Martin**, Constantia (ZA)

(72) Inventors: **Alexander Markus Oelz**, Constantia (ZA); **Robert James Martin**, Constantia (ZA)

(*) Notice: This patent is subject to a terminal disclaimer.

(**) Term: **14 Years**

(21) Appl. No.: **29/451,651**

(22) Filed: **Apr. 5, 2013**

(30) **Foreign Application Priority Data**

Oct. 8, 2012 (ZA) F201201761

(51) **LOC (10) Cl.** **09-01**

(52) **U.S. Cl.**
USPC **D9/724**

(58) **Field of Classification Search**
USPC D3/202, 203.1; D6/512, 515;
D9/112-114, 451, 547, 549, 550, 662,
D9/723-725, 727; D24/100, 108; 222/1,
222/71, 173, 309; 604/210, 218, 275;
606/204.25

See application file for complete search history.

(56) **References Cited**

U.S. PATENT DOCUMENTS

3,236,423 A * 2/1966 Marbach et al. 222/309
3,424,158 A * 1/1969 Jules 604/514

(Continued)

Primary Examiner — Derrick Holland

Assistant Examiner — Janice Lim

(74) *Attorney, Agent, or Firm* — Novak Druce Connolly
Bove + Quigg LLP

(57) **CLAIM**

The ornamental design for a dispenser, as shown and described.

DESCRIPTION

FIG. 1 is an isometric view of a dispenser, showing our new design.

FIG. 2 is an exploded isometric view of the dispenser.

FIG. 3 is an isometric view of the dispenser, with a receiver partly inserted in the barrel body.

FIG. 4 is an isometric view of the dispenser, with a receiver fully inserted in the barrel body.

FIG. 5 is a front view of the dispenser.

FIG. 6 is a cross sectional view of the dispenser, taken along the line 6-6 of FIG. 7.

FIG. 7 is a top plan view of the dispenser.

FIG. 8 is an exploded isometric view of a cartridge, shown without the rest of dispenser for ease of illustration.

FIG. 9 is a front view of a cartridge, shown without the rest of dispenser for ease of illustration.

FIG. 10 is a cross sectional view of a cartridge, taken along the line 10-10 of FIG. 11, shown without the rest of dispenser for ease of illustration.

FIG. 11 is a side view of a cartridge, shown without the rest of dispenser for ease of illustration.

FIG. 12 is a rear view of a cartridge, shown without the rest of dispenser for ease of illustration.

FIG. 13 is a front view of a barrel body, shown without the rest of dispenser for ease of illustration.

FIG. 14 is a cross sectional view of a barrel body, taken along the line 14-14 of FIG. 15, shown without the rest of dispenser for ease of illustration.

FIG. 15 is a top plan view of a barrel body, shown without the rest of dispenser for ease of illustration.

FIG. 16 is a rear view of a barrel body, shown without the rest of dispenser for ease of illustration.

FIG. 17 is a front view of a receiver, shown without the rest of dispenser for ease of illustration.

FIG. 18 is a cross sectional view of a receiver, taken along the line 18-18 of FIG. 19, shown without the rest of dispenser for ease of illustration.

FIG. 19 is a side view of a receiver, shown without the rest of dispenser for ease of illustration.

FIG. 20 is a rear view of a receiver, shown without the rest of dispenser for ease of illustration.

FIG. 21 is a front view of a plunger, shown without the rest of dispenser for ease of illustration.

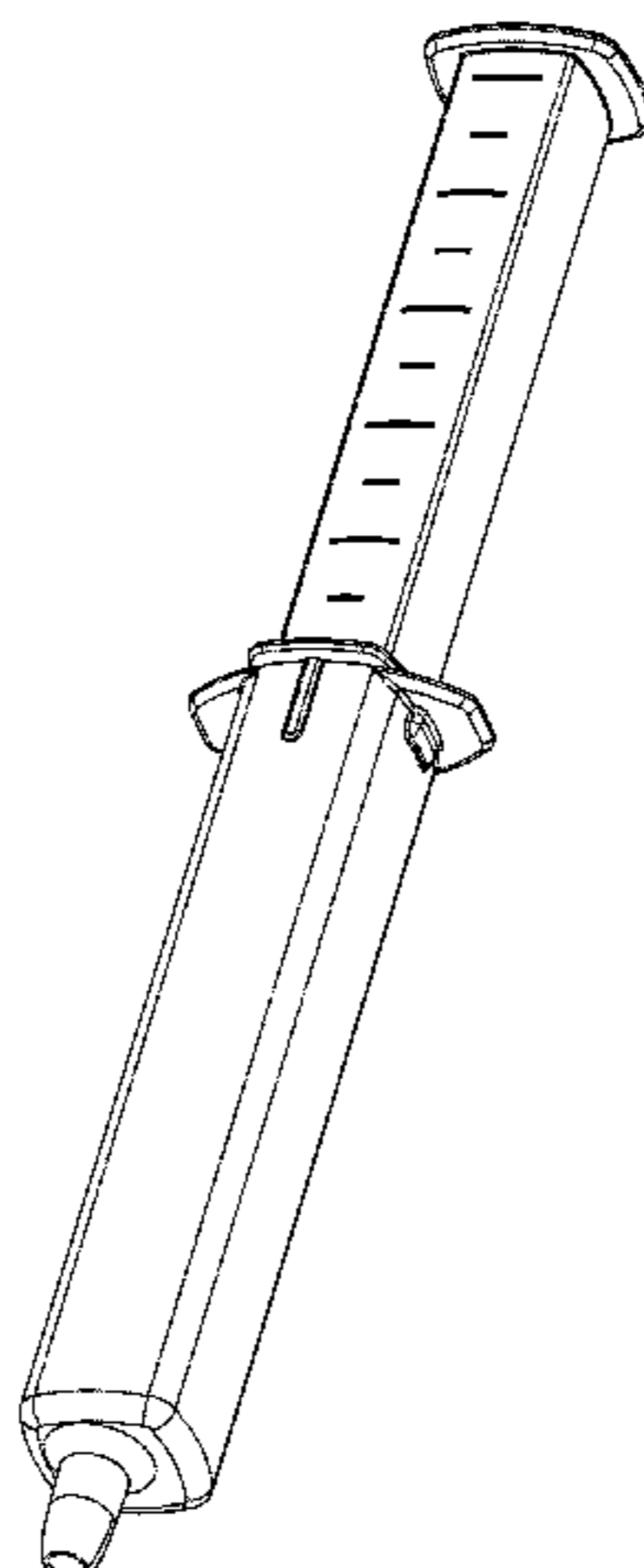
FIG. 22 is a cross sectional view of a plunger, taken along the line 22-22 of FIG. 23, shown without the rest of dispenser for ease of illustration.

FIG. 23 is a side view of a plunger, shown without the rest of dispenser for ease of illustration; and,

FIG. 24 is a rear view of a plunger, shown without the rest of dispenser for ease of illustration.

The broken line portions of FIGS. 5, 6, 13, 14, 16-18, 20 and 24 show unclaimed subject matter only and form no part of the claimed design.

1 Claim, 24 Drawing Sheets



US D770,302 S

Page 2

(56)

References Cited

U.S. PATENT DOCUMENTS

D368,838 S *	4/1996	Paklaian	D8/14.1	
D445,176 S *	7/2001	Landers	D24/114	* cited by examiner
D503,613 S *	4/2005	Yang	D9/724	
D557,337 S *	12/2007	Isaacs et al.	D19/42	
2011/0252695 A1*	10/2011	Pryor	43/131	

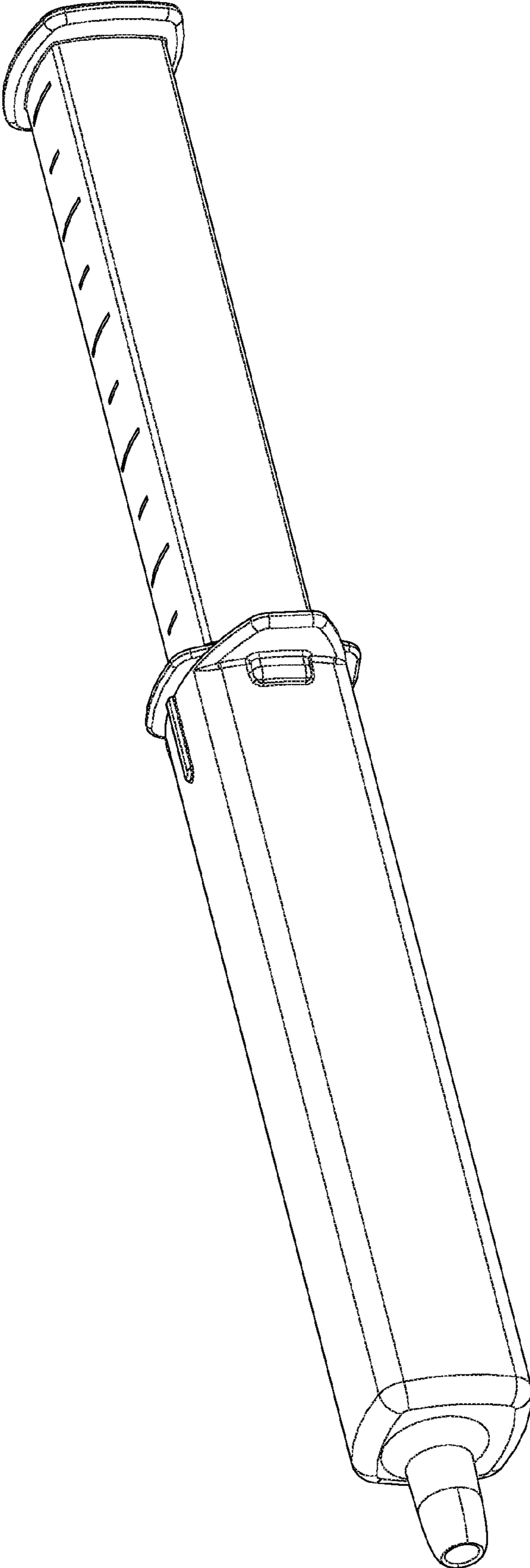


FIG. 1

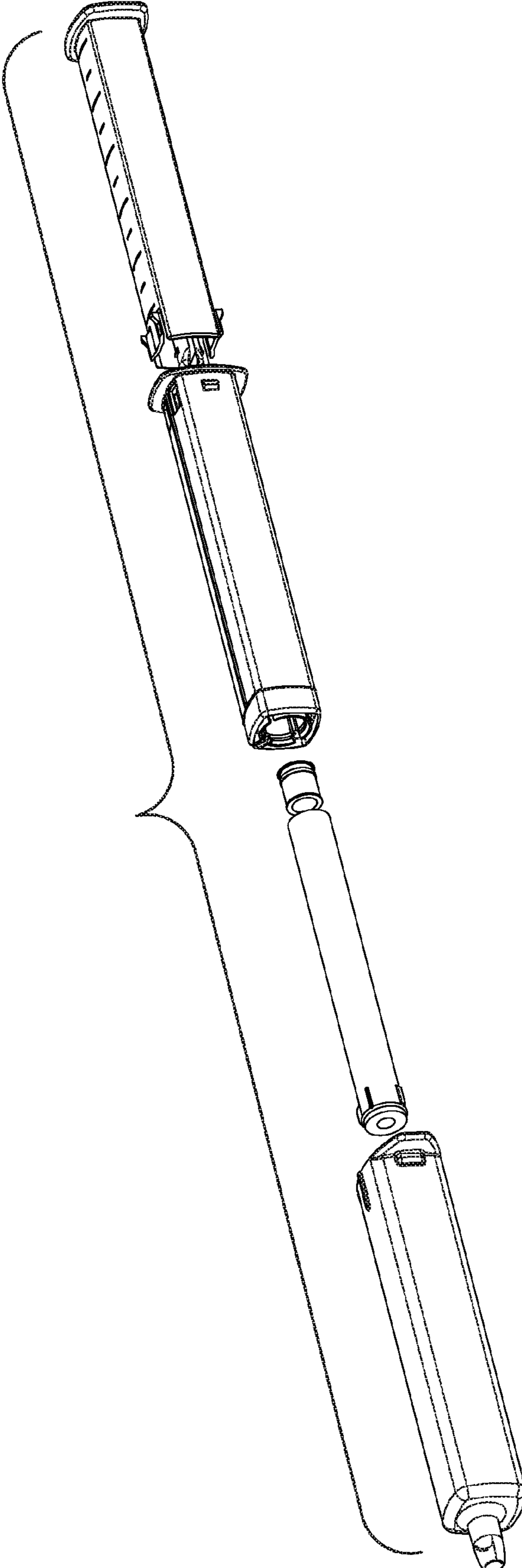


FIG. 2

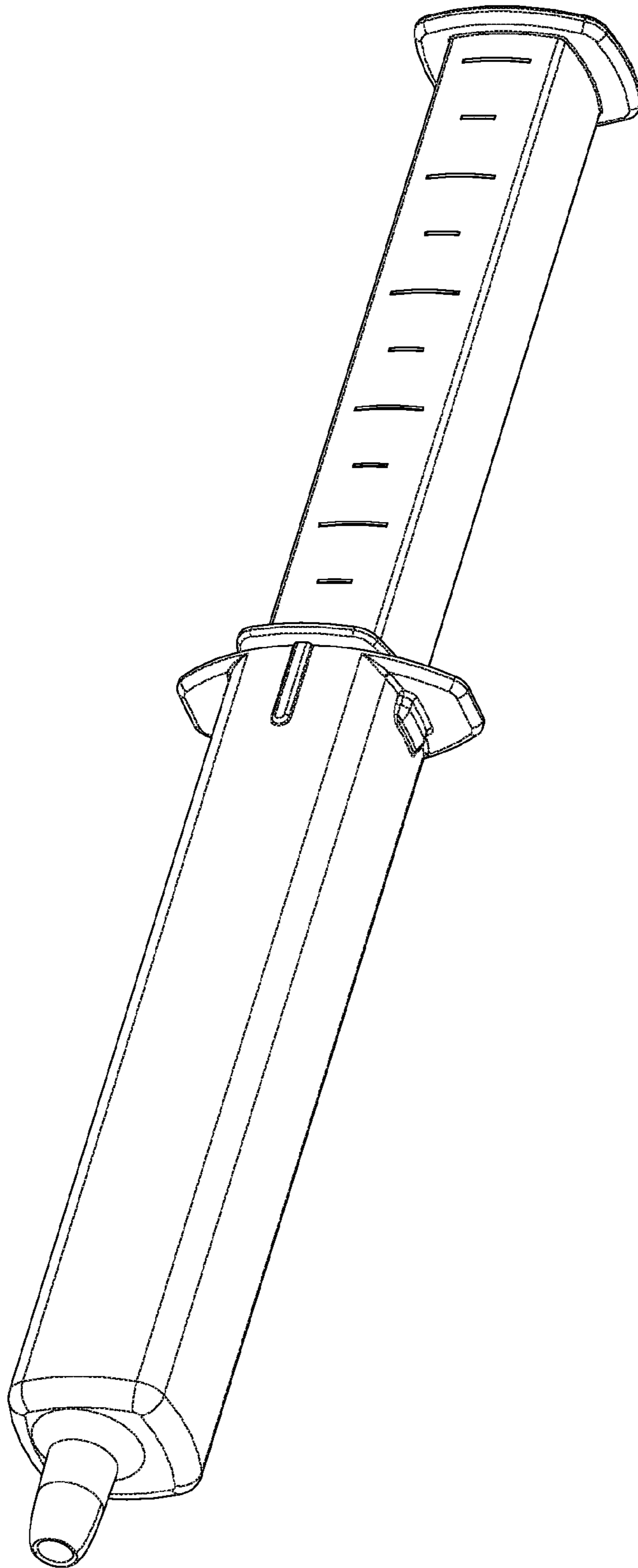


FIG. 3

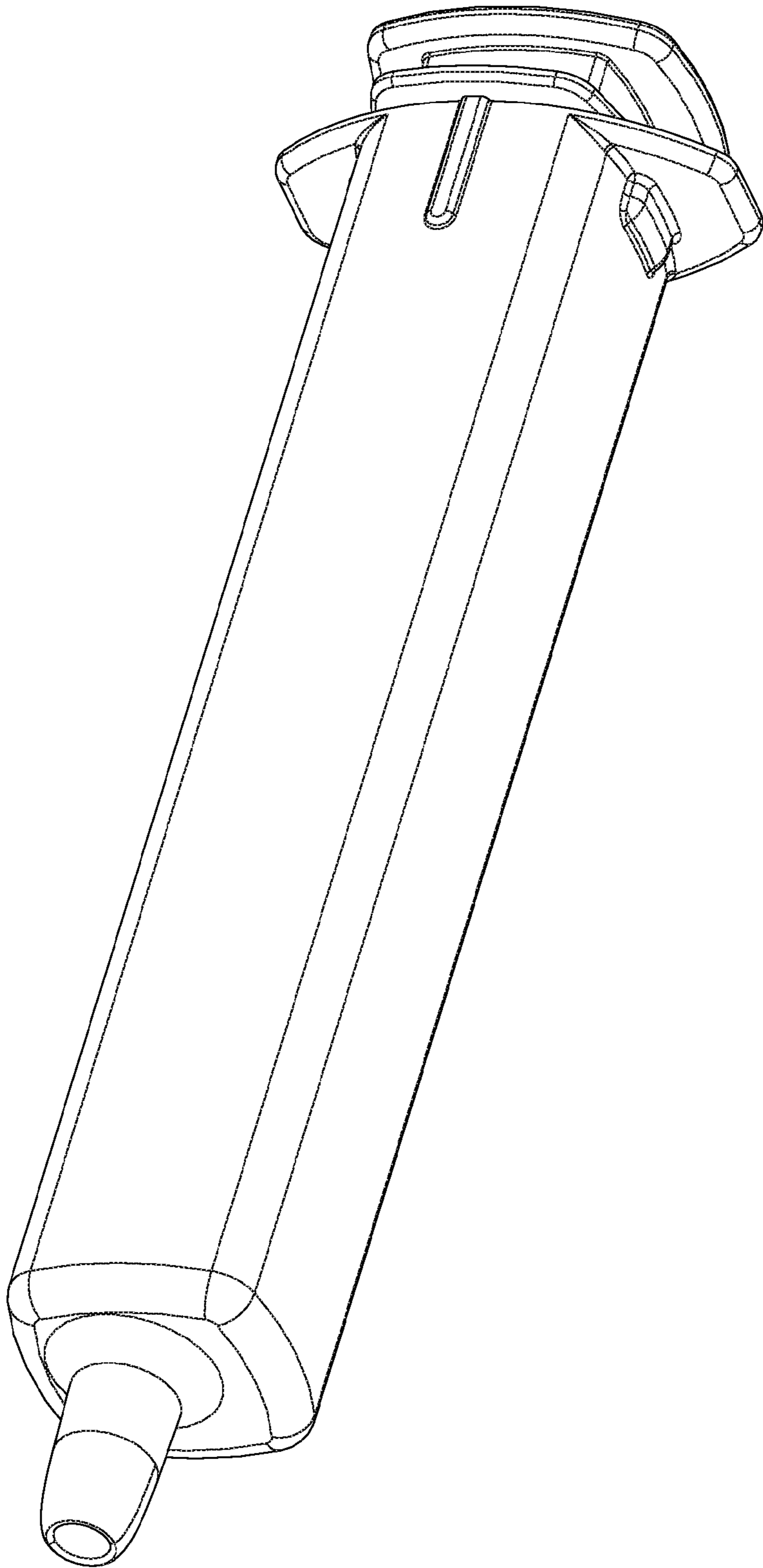


FIG. 4

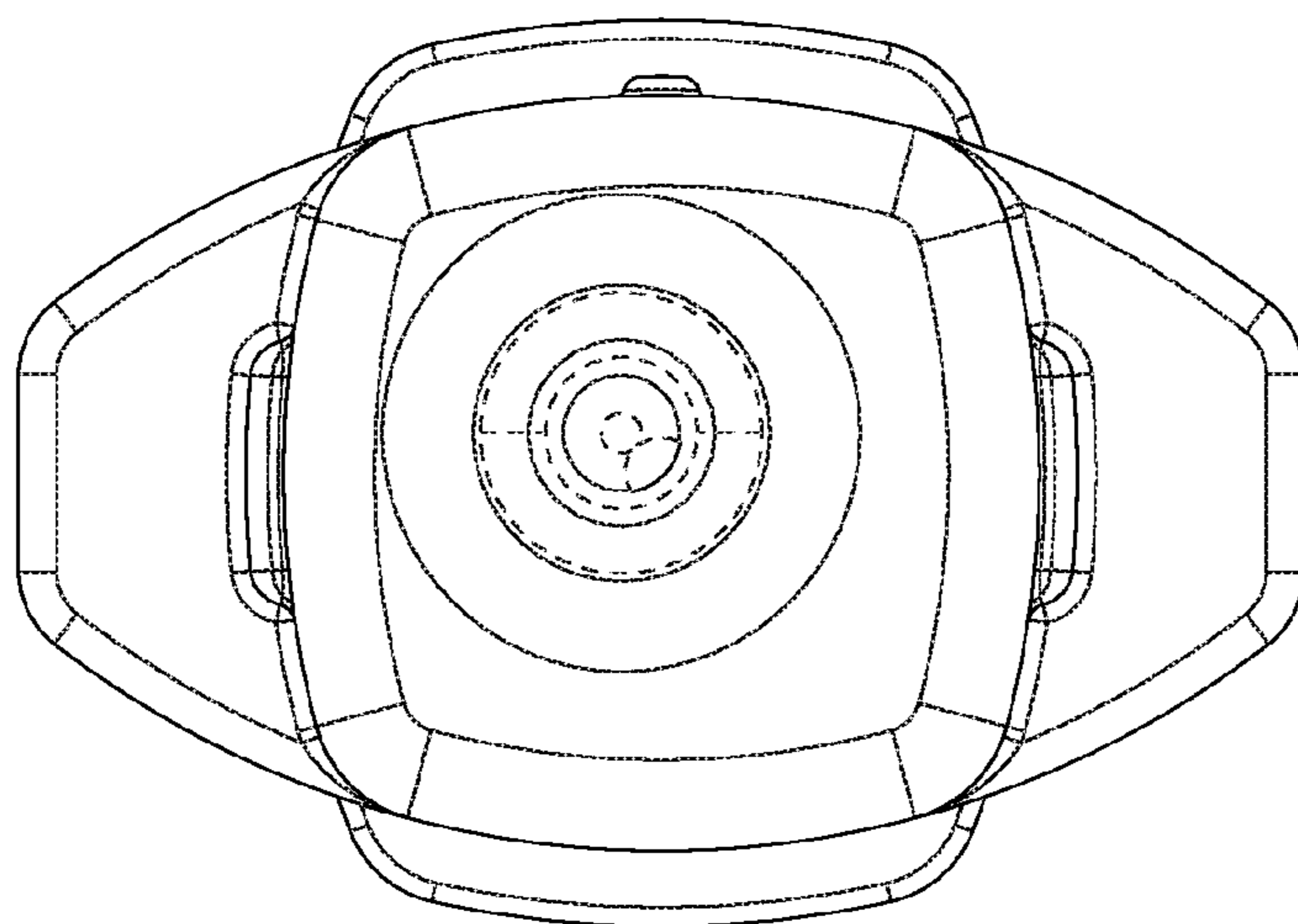


FIG. 5

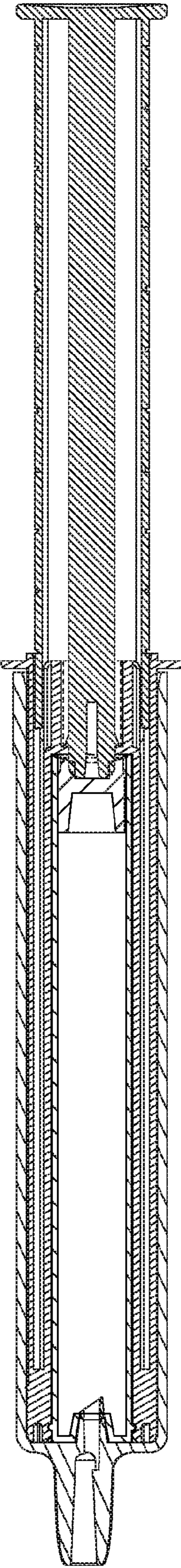


FIG. 6

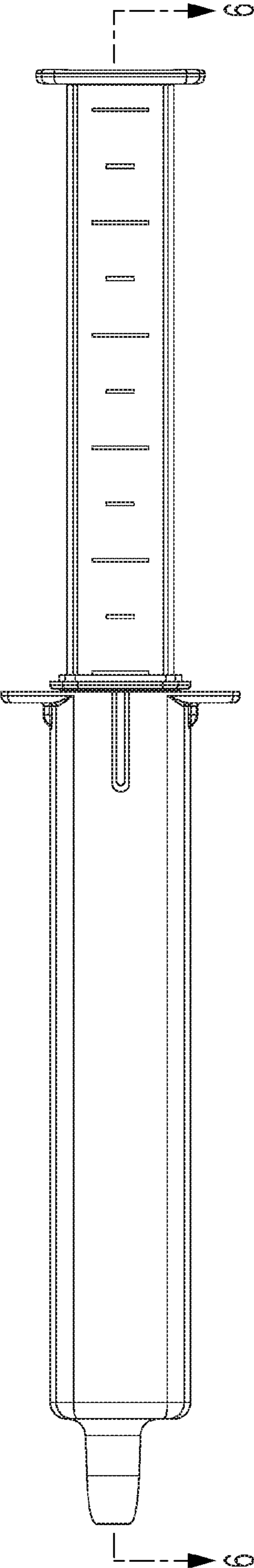


FIG. 7

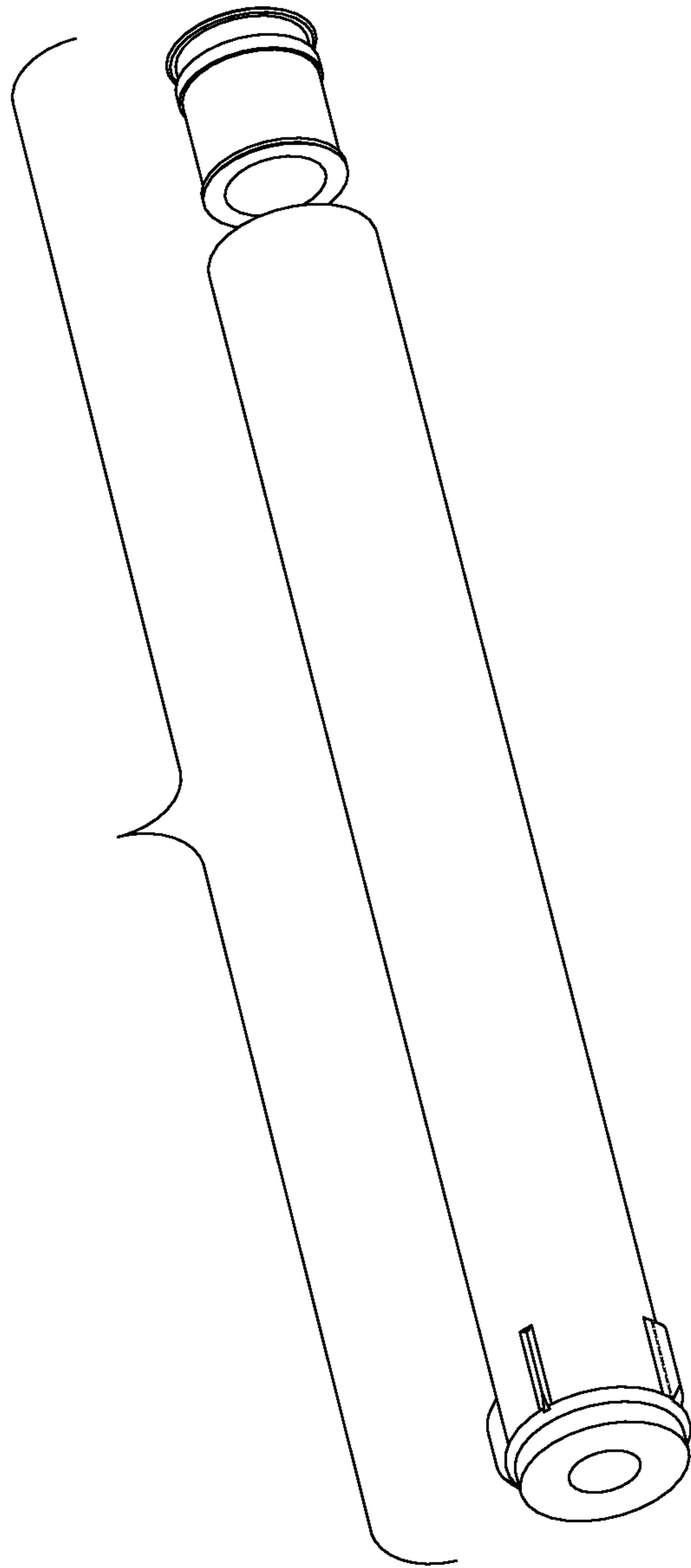


FIG. 8

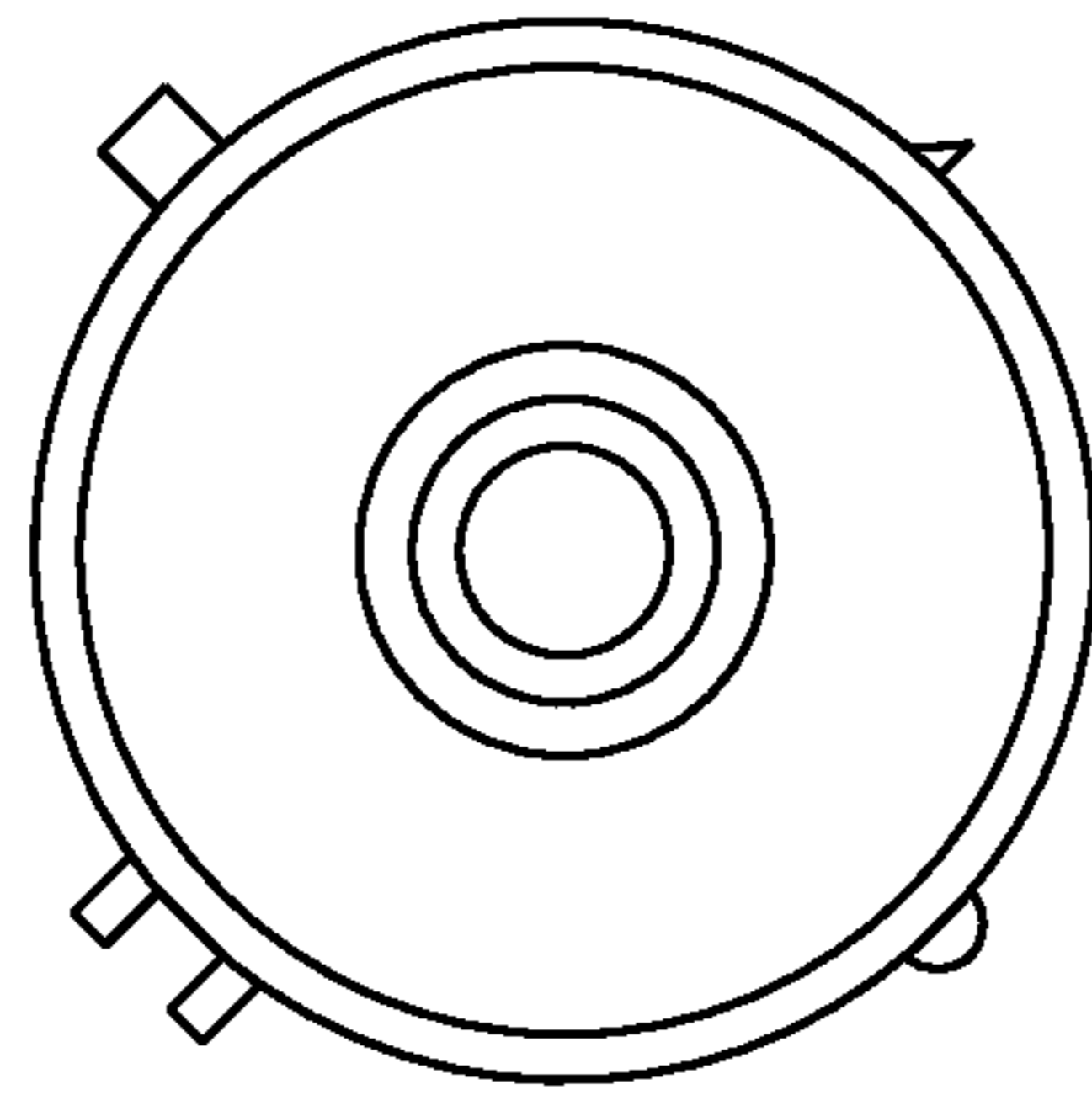


FIG. 9

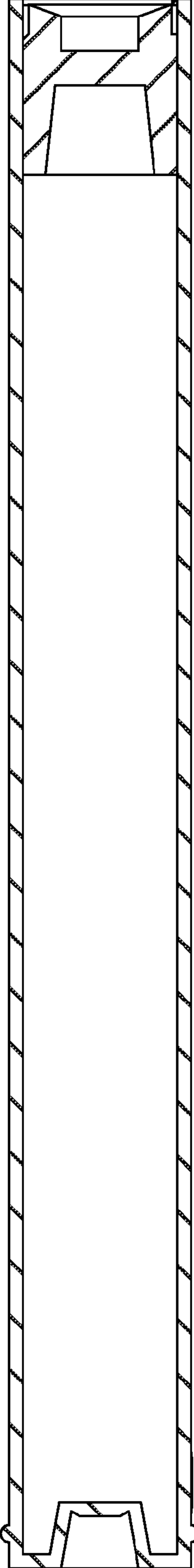


FIG. 10

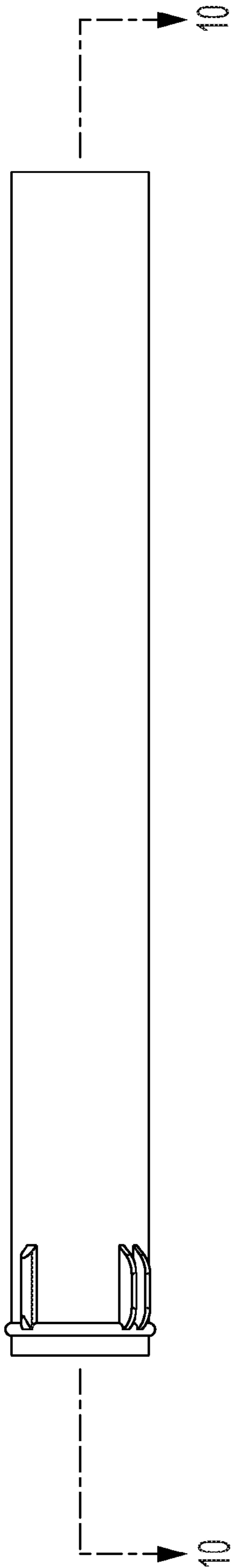


FIG. 11

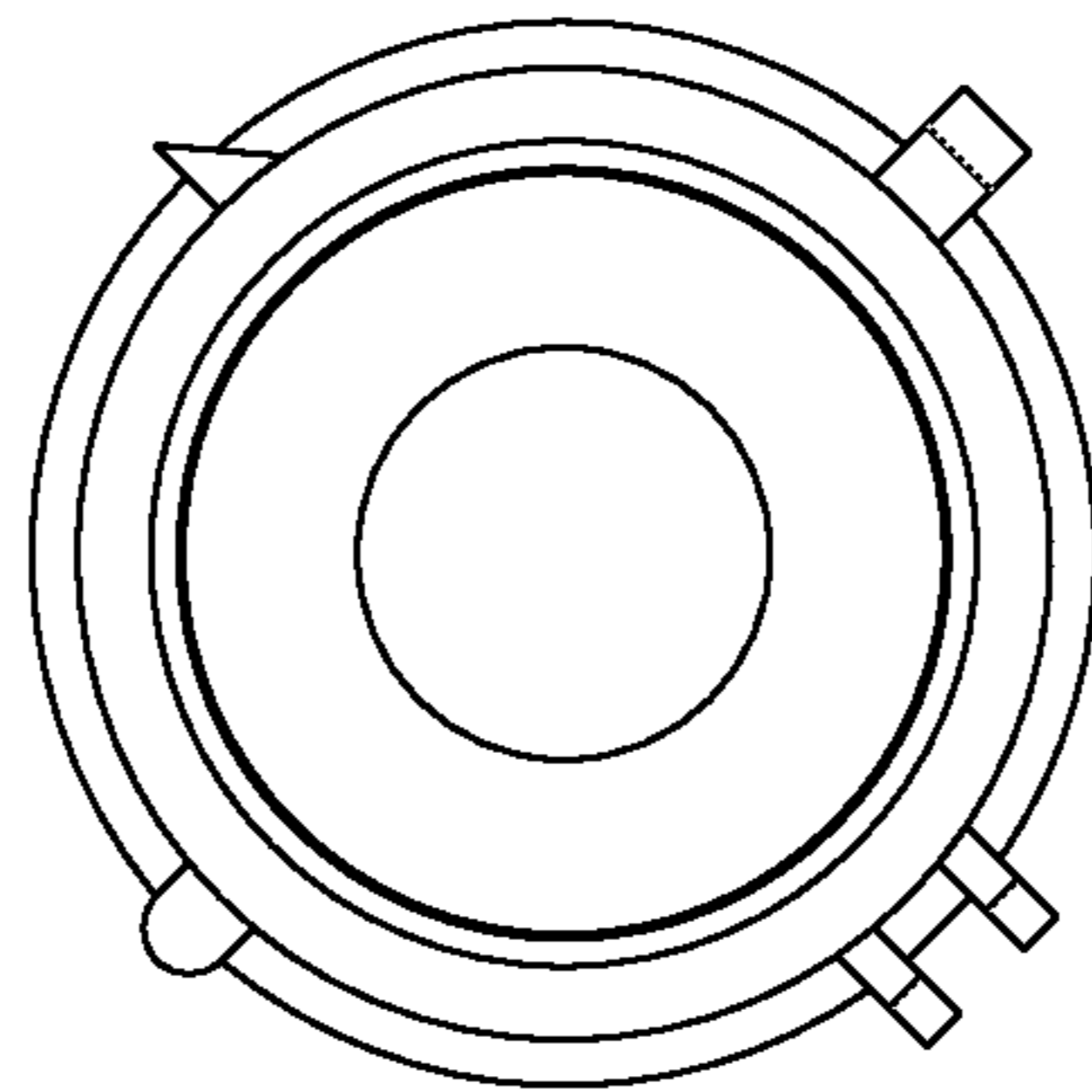


FIG. 12

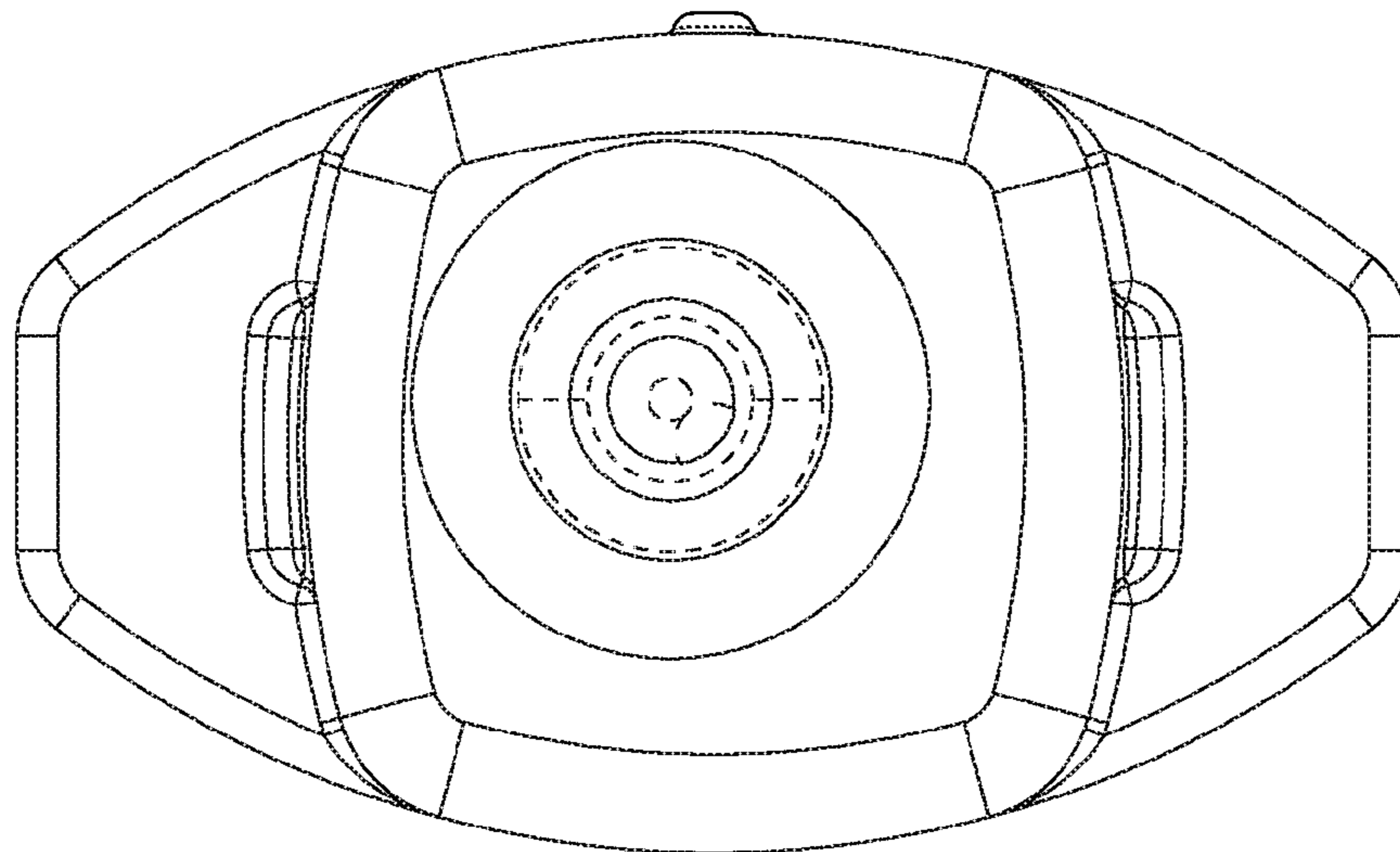


FIG. 13

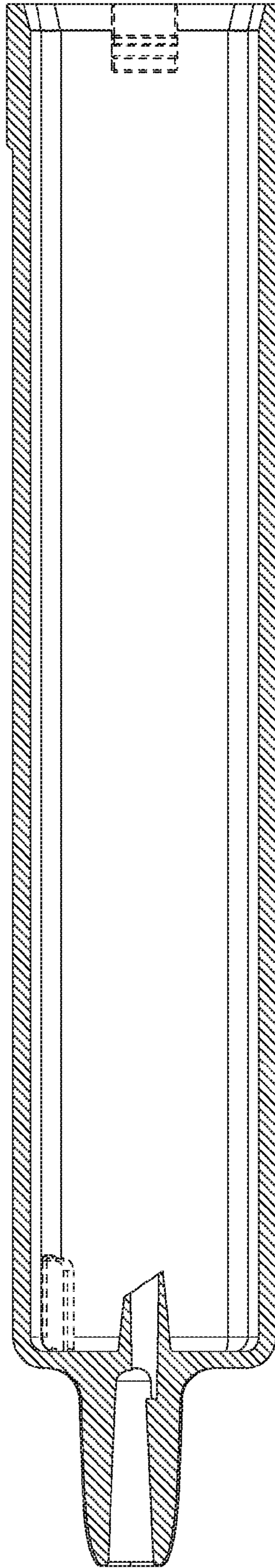


FIG. 14

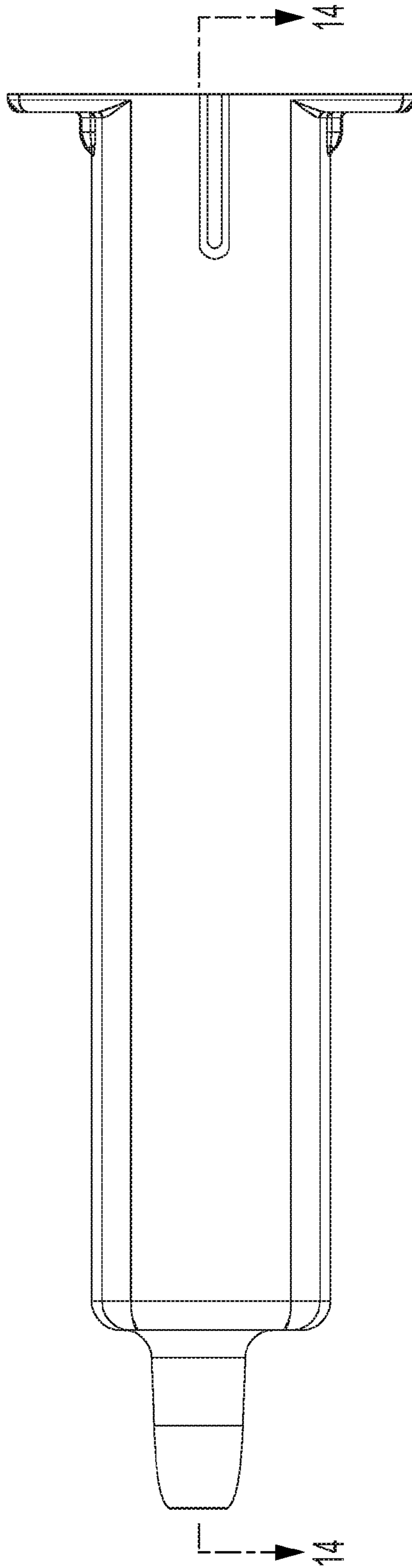


FIG. 15

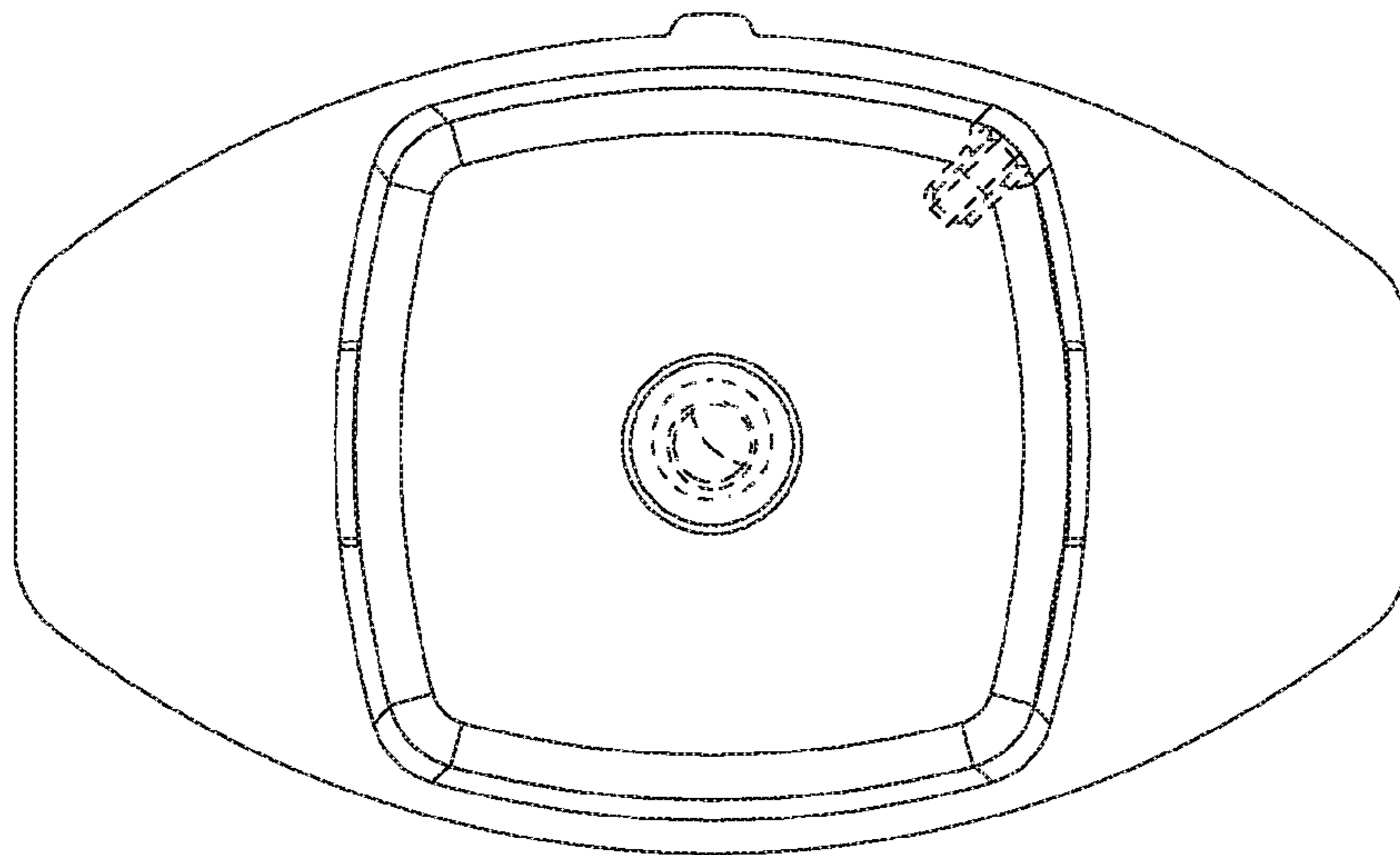


FIG. 16

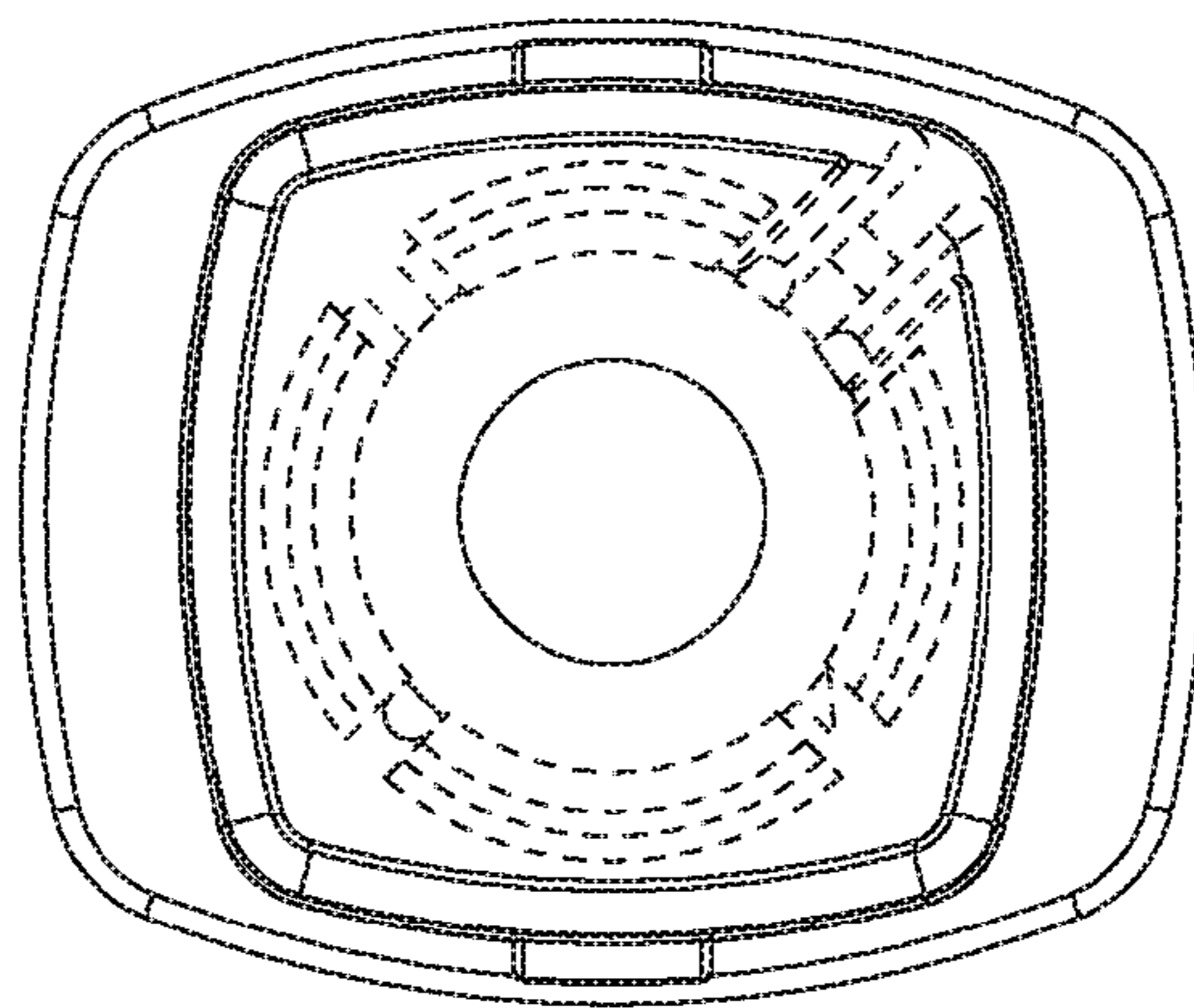


FIG. 17

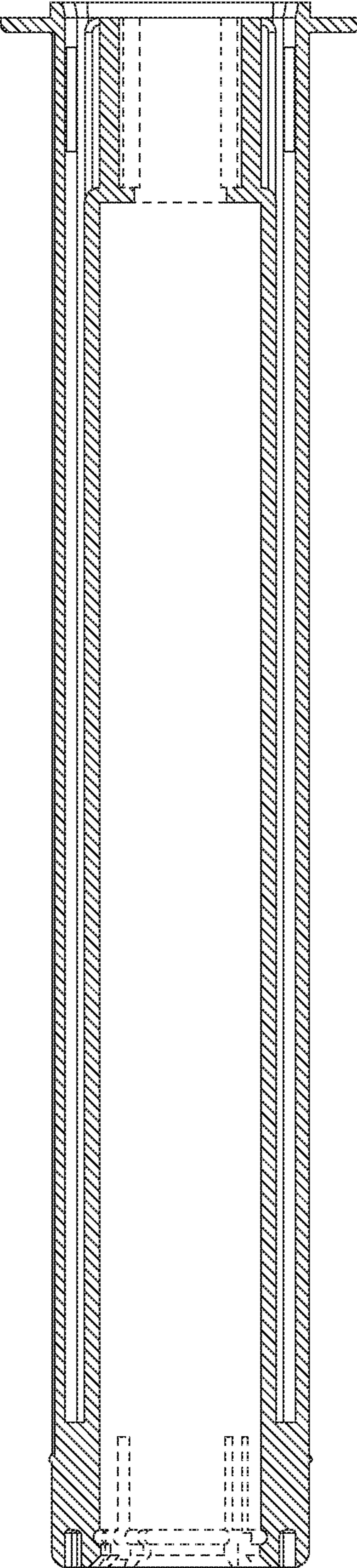


FIG. 18

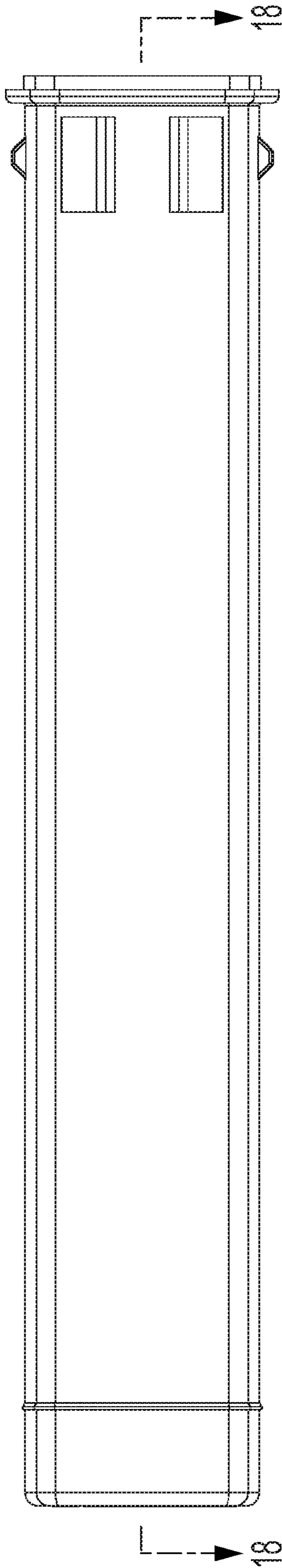


FIG. 19

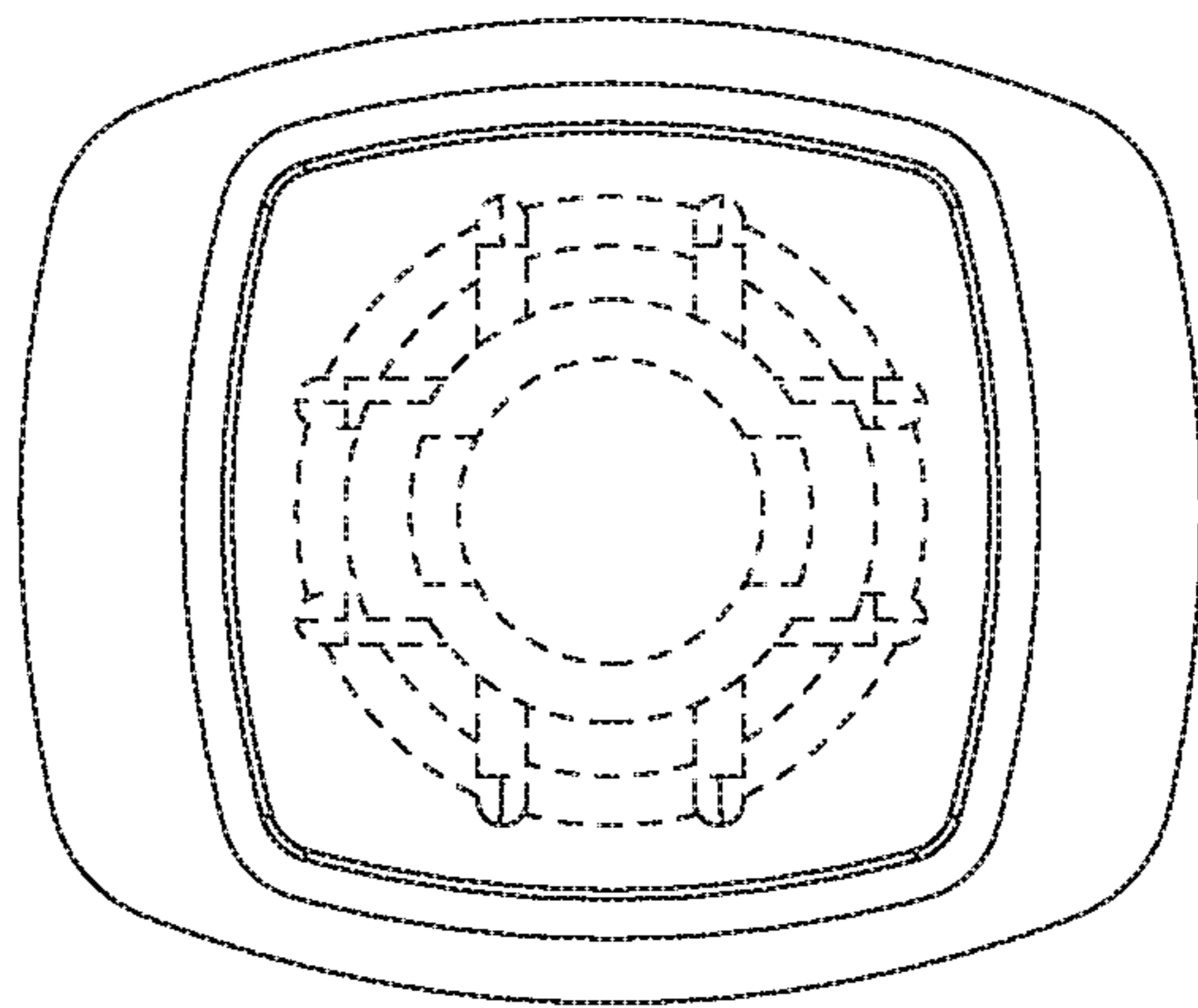


FIG. 20

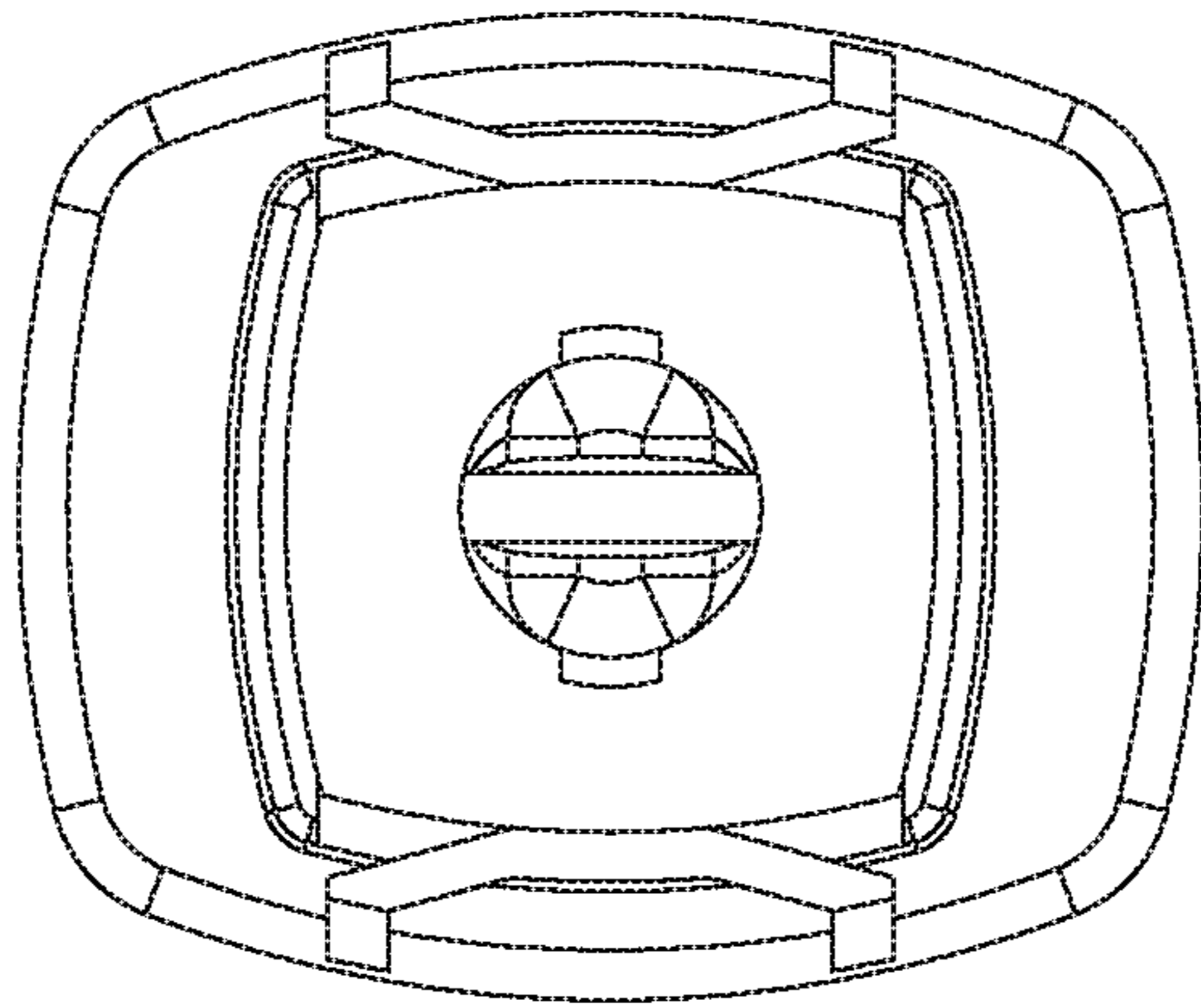


FIG. 21

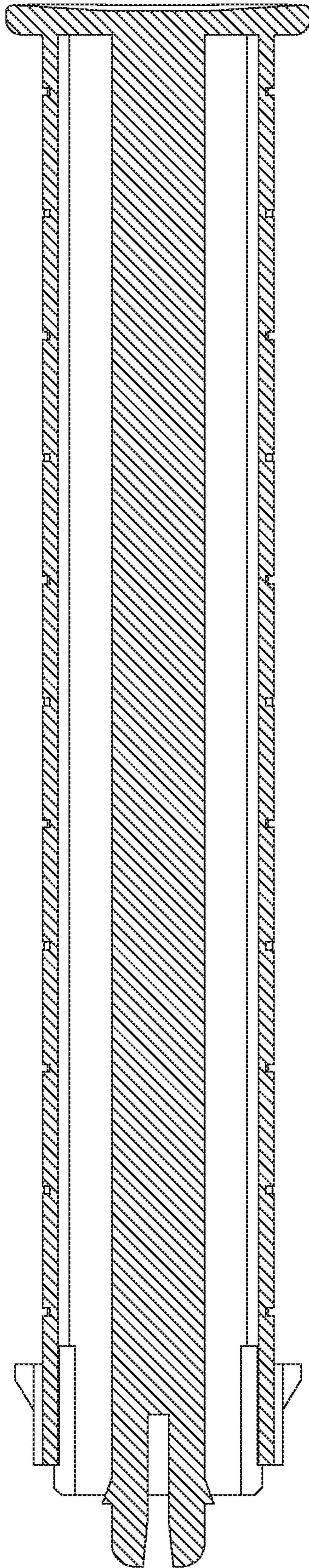


FIG. 22

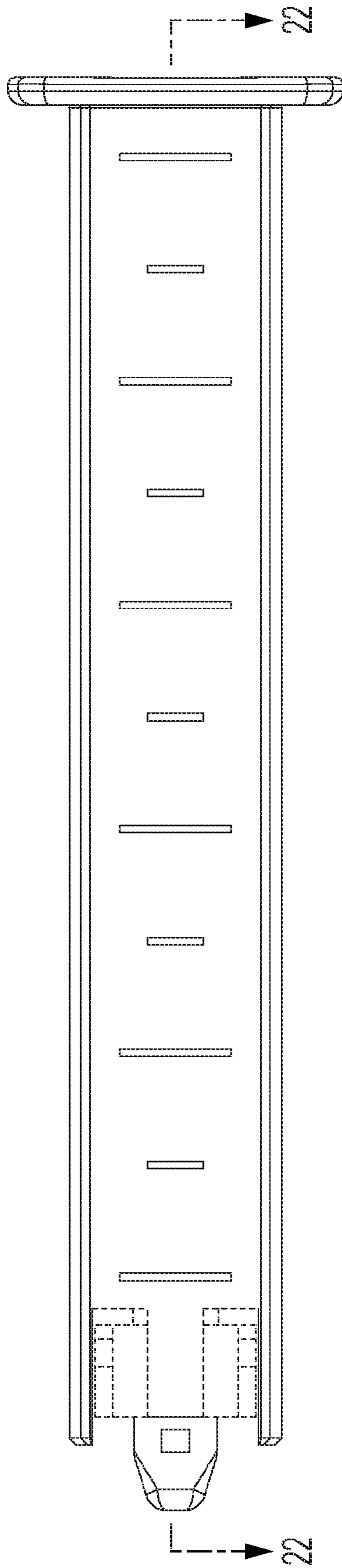


FIG. 23

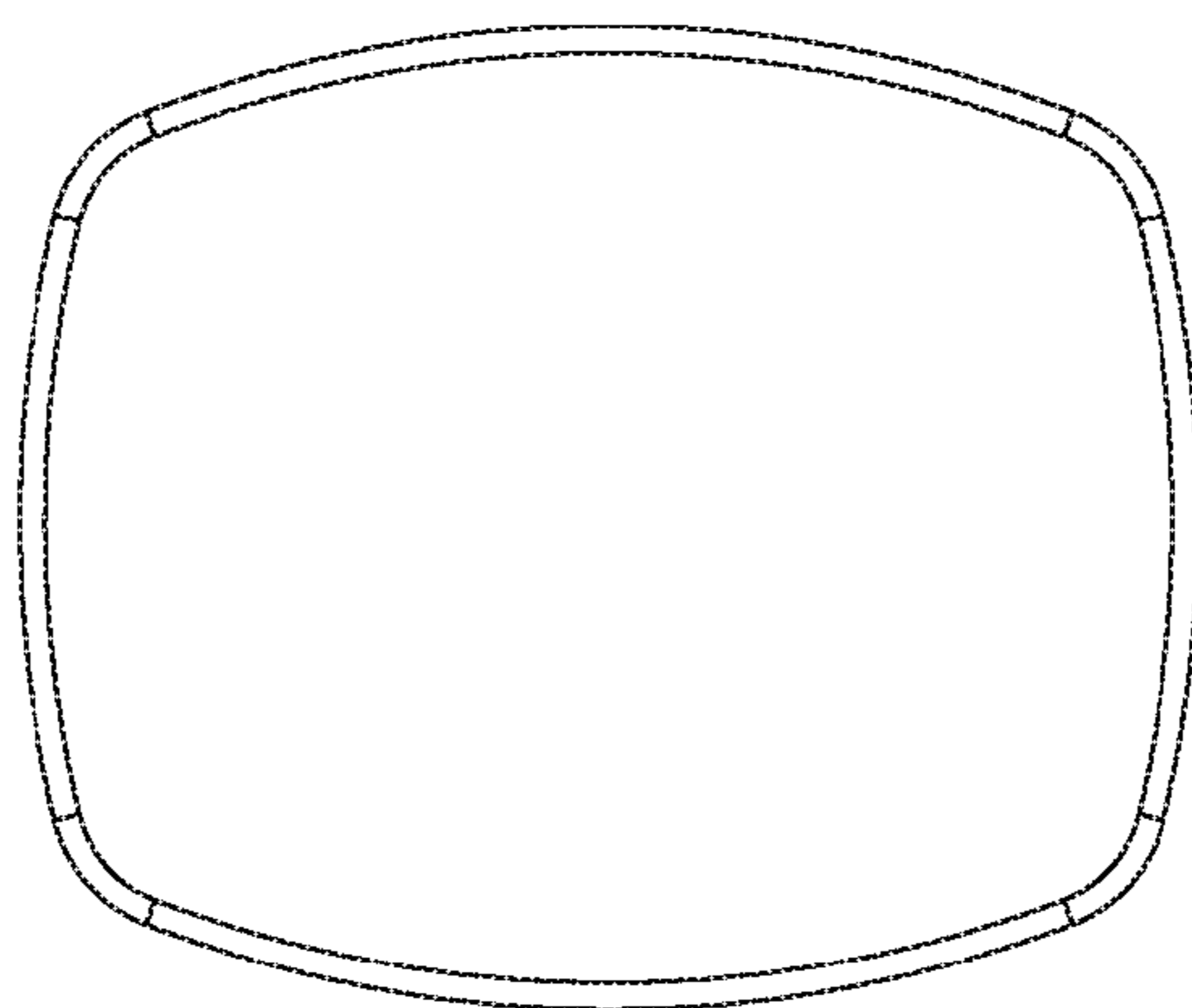


FIG. 24