



US00D770295S

(12) **United States Design Patent** (10) **Patent No.:** **US D770,295 S**
Luu et al. (45) **Date of Patent:** **** Nov. 1, 2016**

(54) **BOTTLE**
(71) Applicant: **Le Chat**, Hercules, CA (US)
(72) Inventors: **Newton Luu**, Hercules, CA (US);
Christina Kleppe, Antioch, CA (US)
(73) Assignee: **LeChat**, Hercules, CA (US)
(**) Term: **14 Years**
(21) Appl. No.: **29/494,508**
(22) Filed: **Jun. 20, 2014**
(51) **LOC (10) Cl.** **09-01**
(52) **U.S. Cl.**
USPC **D9/560**; D9/452; D9/454
(58) **Field of Classification Search**
USPC D9/516, 447, 452, 454, 548, 560, 562,
D9/570, 573-574, 682, 715, 719, 723;
D4/116; D28/7, 76, 77, 88
CPC B65D 1/00; B65D 1/02; B65D 1/0223;
B65D 23/00; B65D 81/00; B65D 83/00;
B65D 2501/00; B65D 2501/0009; B65D
2501/0081; A45D 34/00; A45D 34/042;
A45D 34/045; A45D 34/046; A45D 34/048;
A45D 34/06; A45D 2034/007; A45D
40/0068; A45D 40/0075; A45D 40/26;
A45D 40/262; A45D 40/264; A45D 40/265
See application file for complete search history.

(56) **References Cited**
U.S. PATENT DOCUMENTS
D90,558 S * 8/1933 Tricard D9/546
D93,074 S * 8/1934 Westlake D9/546
D105,396 S * 7/1937 McIntosh D9/560
D237,360 S * 10/1975 Olivera D9/542

D271,565 S * 11/1983 Slater D24/117
D316,034 S * 4/1991 DeGaetano
D329,592 S * 9/1992 Crawford D9/529
D344,804 S * 3/1994 Muniz D24/115
D346,334 S * 4/1994 Ahlsvik D9/548
D379,764 S * 6/1997 Litton D9/452
D383,980 S * 9/1997 Abfier D9/502
D469,356 S * 1/2003 Vo
D471,108 S * 3/2003 Calderone, Jr. D9/520
D494,476 S * 8/2004 Cwynar-Laska D9/560
6,966,716 B2 * 11/2005 Pink A45D 34/045
401/126
7,311,457 B2 * 12/2007 Pink A45D 34/045
16/430
D561,027 S * 2/2008 Nguyen
D577,599 S * 9/2008 Moretti D9/560
D604,167 S * 11/2009 Tran D9/453
D695,121 S * 12/2013 Seo D9/454
D701,124 S * 3/2014 O'Hara D9/624
2002/0039513 A1 * 4/2002 Pink A45D 34/045
401/129
2006/0213863 A1 * 9/2006 Tran B65D 1/0276
215/382

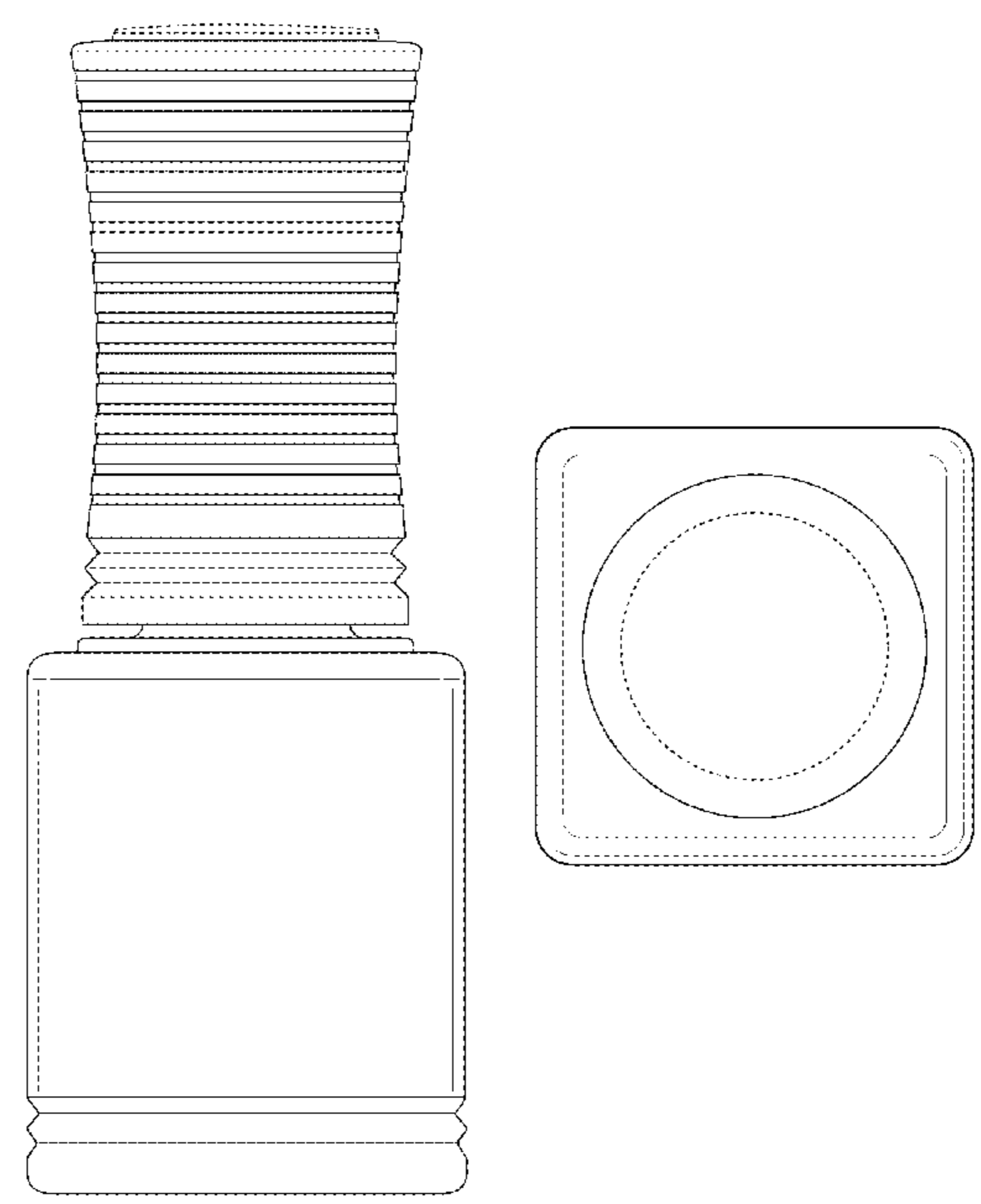
* cited by examiner
Primary Examiner — Dana L Meyrow
(74) *Attorney, Agent, or Firm* — Aka Chan LLP

(57) **CLAIM**
The ornamental design for a bottle, as shown and described.

DESCRIPTION

FIG. 1 is a top, front right side perspective view of a bottle showing our new design; FIG. 2 is a side elevation view thereof, the opposing side, front and rear elevation views being identical; and, FIG. 3 is a top plan view thereof. The broken lines in the drawings illustrate the portions of the bottle that form no part of the claim.

1 Claim, 3 Drawing Sheets



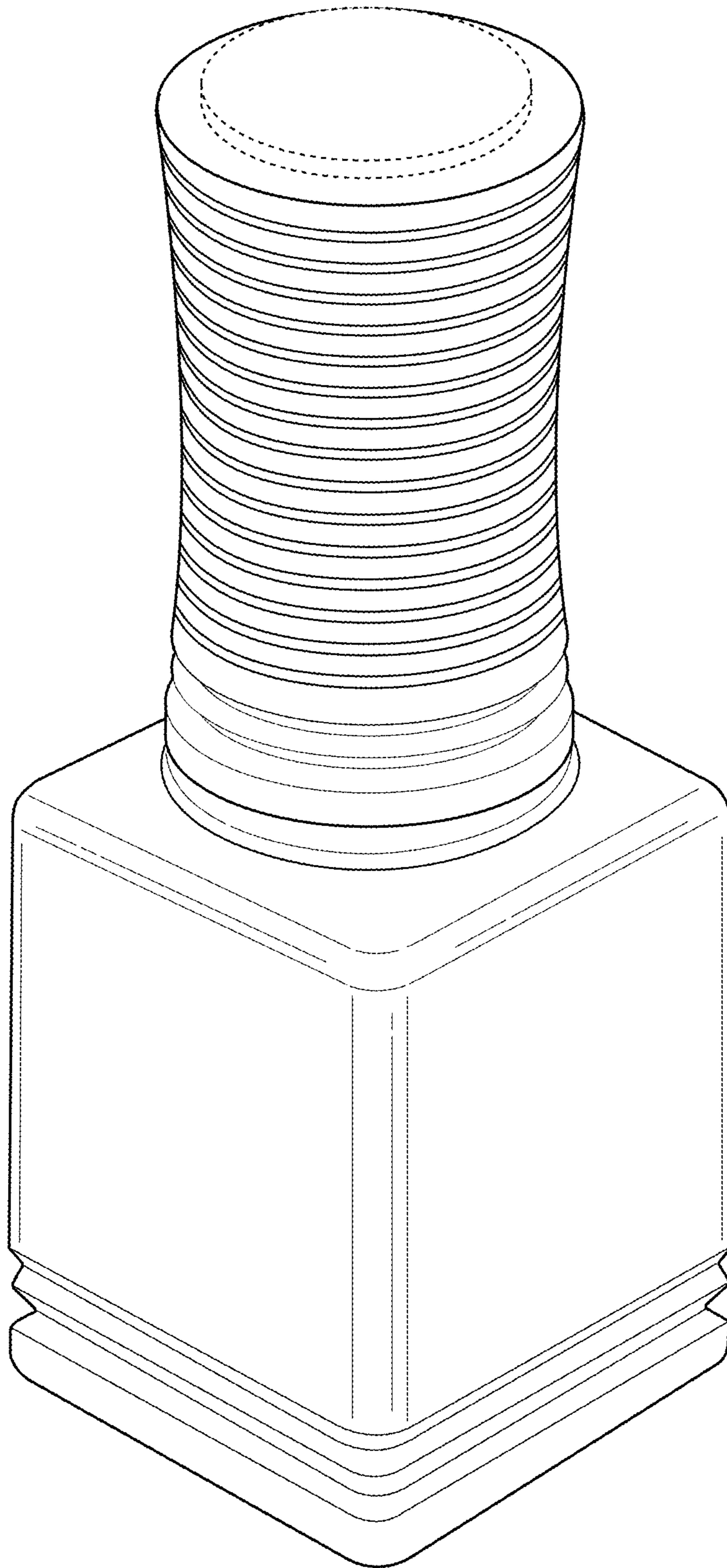


FIG. 1

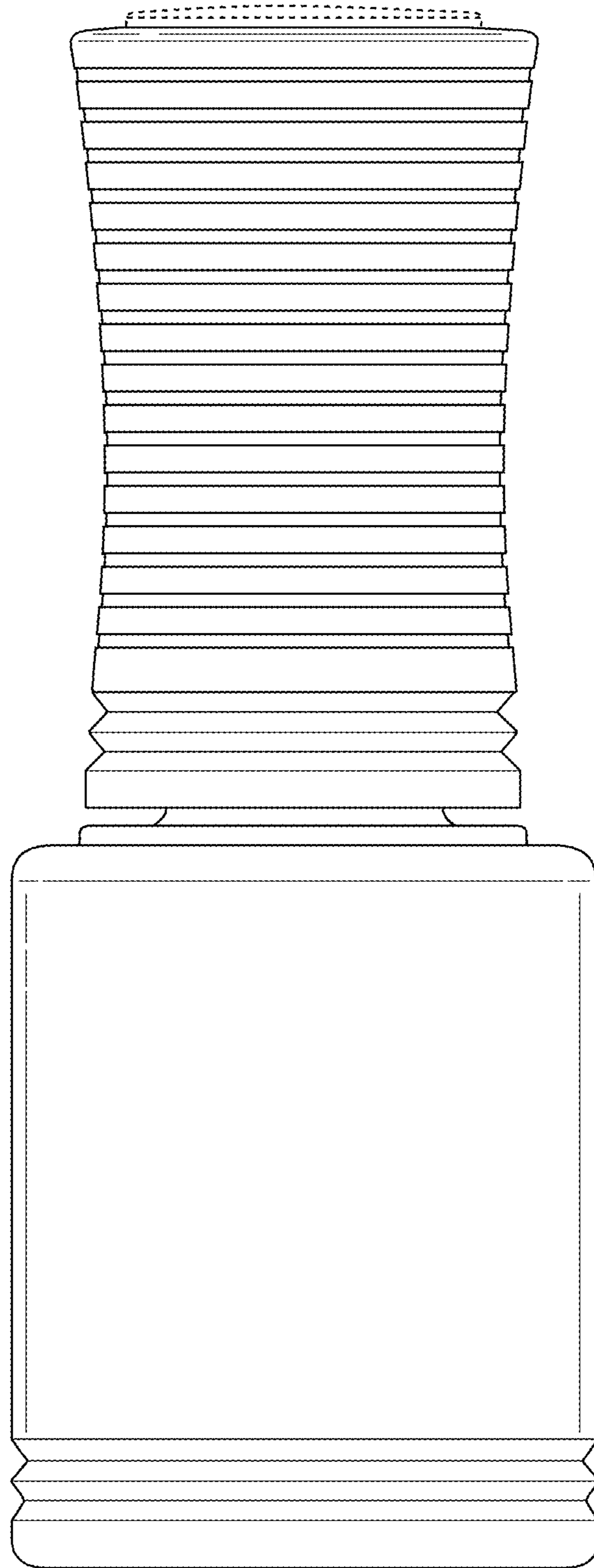


FIG. 2

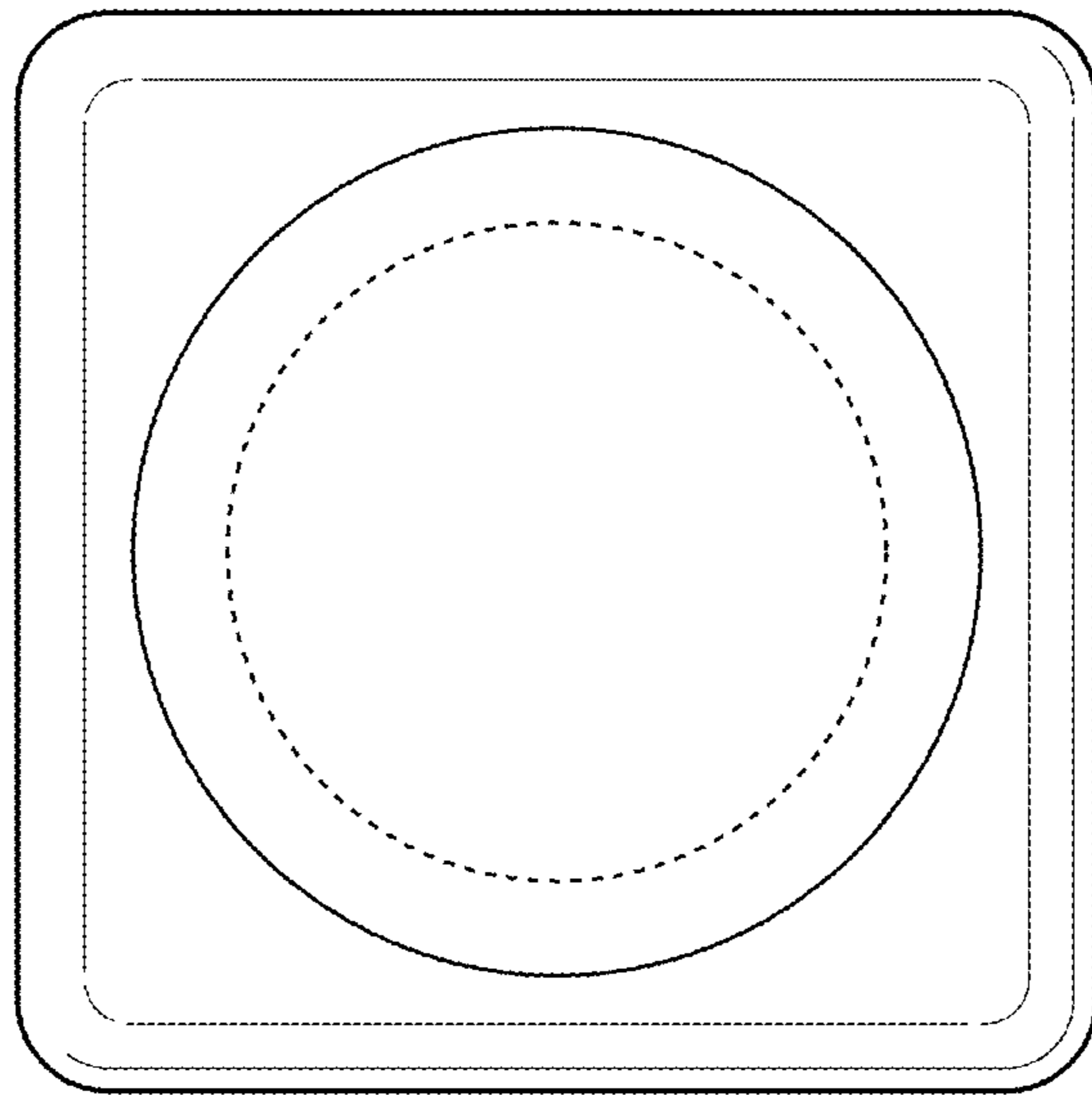


FIG. 3