



US00D770294S

(12) **United States Design Patent** (10) **Patent No.:** **US D770,294 S**
Santoro et al. (45) **Date of Patent:** **** Nov. 1, 2016**

(54) **BOTTLE**

(71) Applicant: **Vi-Jon, Inc.**, St. Louis, MO (US)

(72) Inventors: **Donna M. Santoro**, St. Charles, MO (US); **Stephen John Kocis**, Suwanee, GA (US); **Lesley S. Corker**, Atlanta, GA (US); **Stephen Joel Zwonitzer**, Hoschton, GA (US)

(**) Term: **14 Years**

(21) Appl. No.: **29/523,437**

(22) Filed: **Apr. 9, 2015**

(51) **LOC (10) Cl.** **09-01**

(52) **U.S. Cl.**
USPC **D9/551**; D9/520; D9/558

(58) **Field of Classification Search**
USPC D9/516, 520, 530, 544, 545, 549, 551, D9/558, 574, 715, 719; D24/108, 115, 121
CPC .. B65D 1/0223; B65D 1/32; B65D 2203/00; B65D 85/72; B65D 2517/0056
See application file for complete search history.

(56) **References Cited**

U.S. PATENT DOCUMENTS

D45,295 S *	2/1914	Haig	D9/542
D78,949 S *	7/1929	Swindell	D9/562
D94,783 S *	3/1935	Smith	D9/562
D94,824 S *	3/1935	Fuerst	D9/562
D95,260 S *	4/1935	Keys	D9/562
D95,547 S *	5/1935	Robinson	D9/544
D103,065 S *	2/1937	Fuerst	D9/562
D370,636 S *	6/1996	Crawford	D9/562
D383,982 S *	9/1997	Tippitt	D9/545
D414,261 S *	9/1999	Ritsche	D24/110
D426,775 S *	6/2000	Zimmer	D9/542
D471,973 S *	3/2003	Gillissen	D24/110
D528,654 S *	9/2006	Nishibayashi	D24/110
D540,690 S *	4/2007	Adler	D9/563

D544,956 S *	6/2007	Collins	D24/110
D552,231 S *	10/2007	Collins	D24/110
D621,712 S *	8/2010	Vilarrasa	D9/522
D632,181 S *	2/2011	Kuzma	D9/542
D642,477 S *	8/2011	Lec Tre	D9/544
D691,053 S *	10/2013	Garcia	D9/543
D734,055 S *	7/2015	Davis	D6/542
D749,425 S *	2/2016	Wable	D9/435
9,314,808 B2 *	4/2016	Allsop	B05B 11/3059

* cited by examiner

Primary Examiner — Ian Simmons

Assistant Examiner — Keith Frank

(74) *Attorney, Agent, or Firm* — Armstrong Teasdale LLP

(57) **CLAIM**

We claim the ornamental design for a bottle, as shown and described.

DESCRIPTION

FIG. 1 is a front perspective view of a bottle showing our new design;

FIG. 2 is a front view of the bottle design shown in FIG. 1;

FIG. 3 is a rear view of the bottle design shown in FIG. 1;

FIG. 4 is a right view of the bottle design shown in FIG. 1;

FIG. 5 is a left view of the bottle design shown in FIG. 1;

FIG. 6 is a top view of the bottle design shown in FIG. 1;

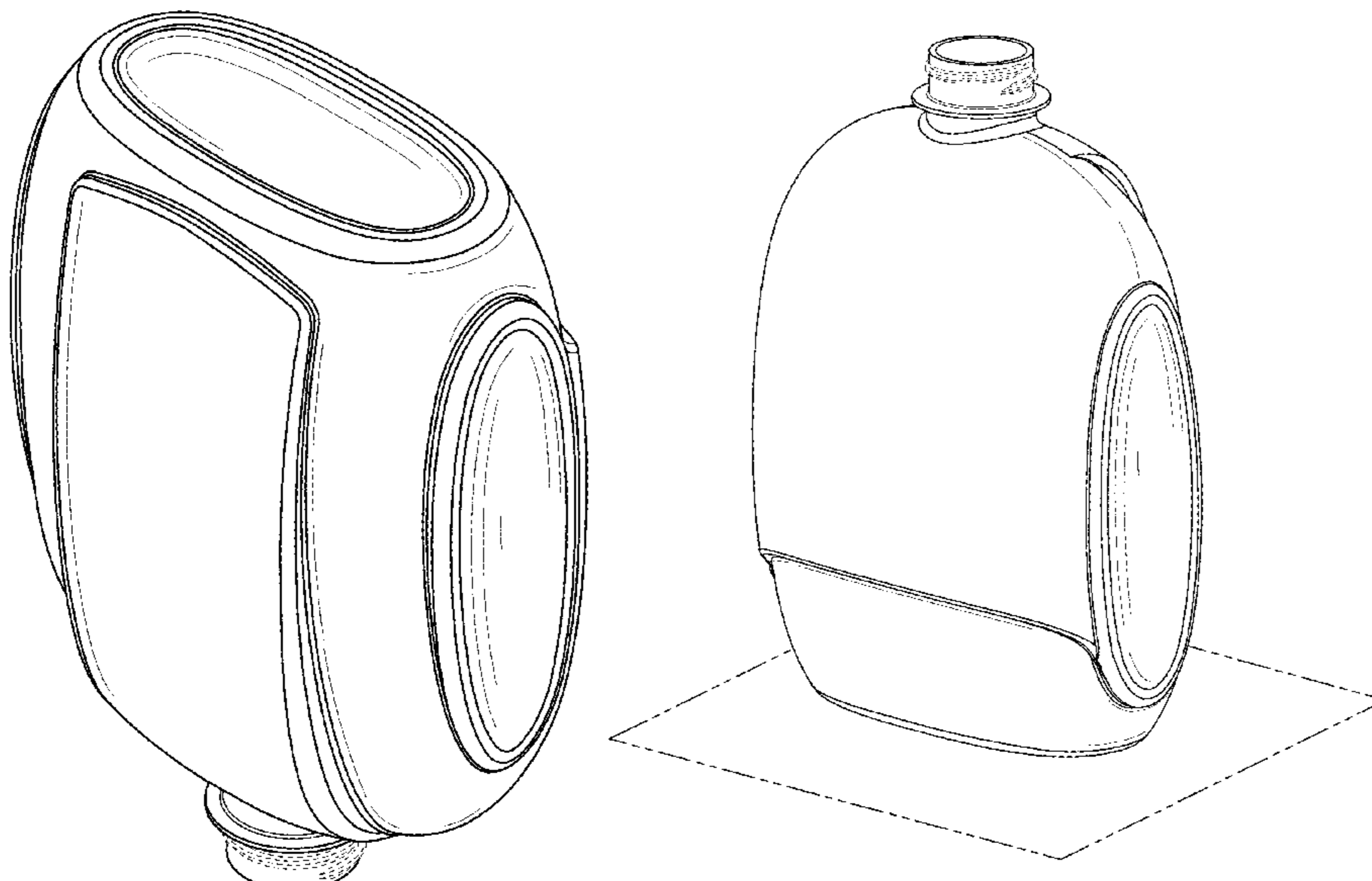
FIG. 7 is a bottom view of the bottle design shown in FIG. 1;

FIG. 8 is a rear perspective view of the bottle design shown in FIG. 1; and,

FIG. 9 is a rear perspective view of the bottle design shown in FIG. 1.

The evenly-dashed broken lines of the threading illustrate the portions of the bottle that form no part of the claimed design. The long dash, short dash-dash broken line showing in FIG. 9 is included for the purpose of illustrating an environment and forms no part of the claimed design.

1 Claim, 9 Drawing Sheets



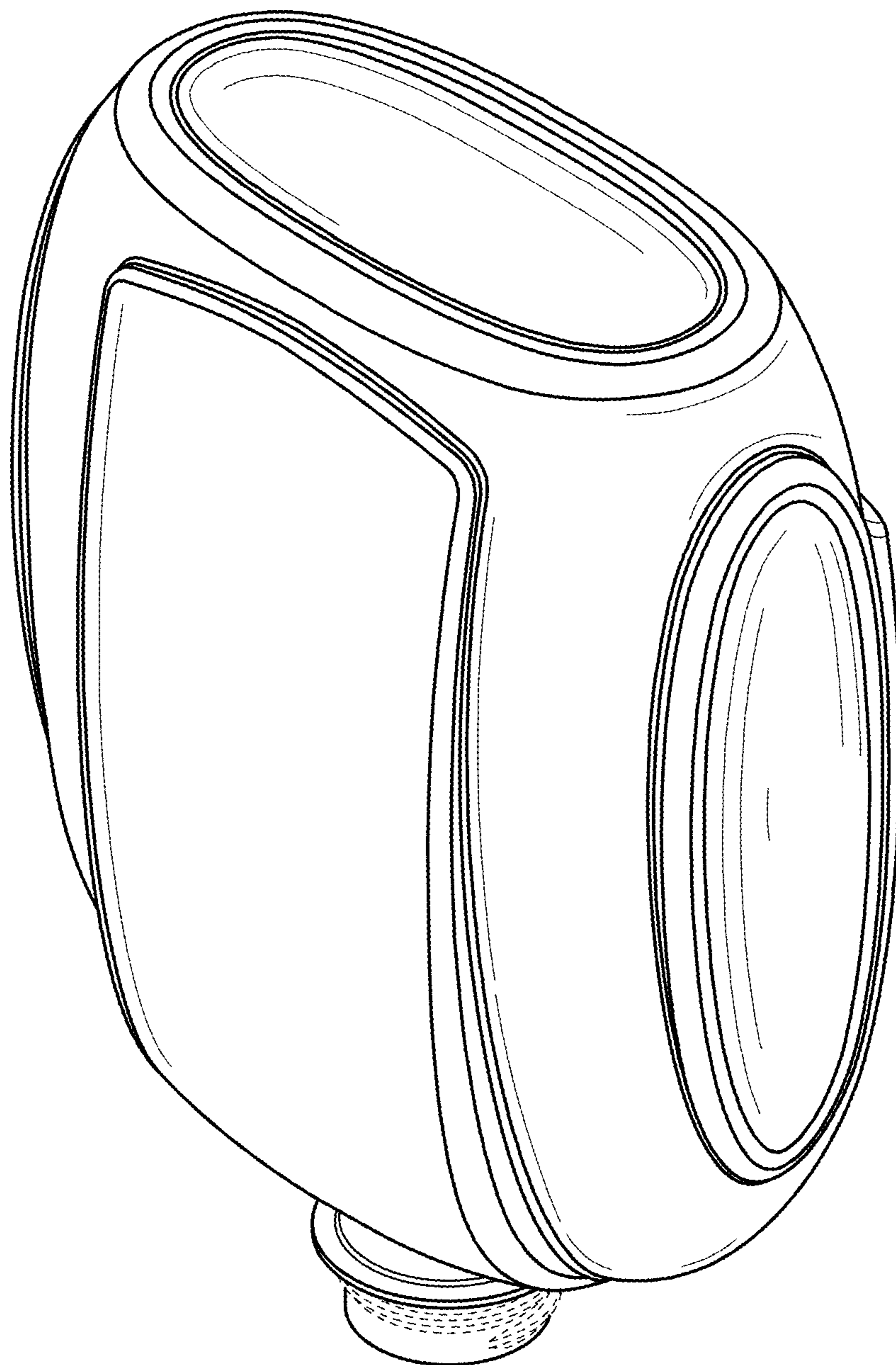


FIG. 1

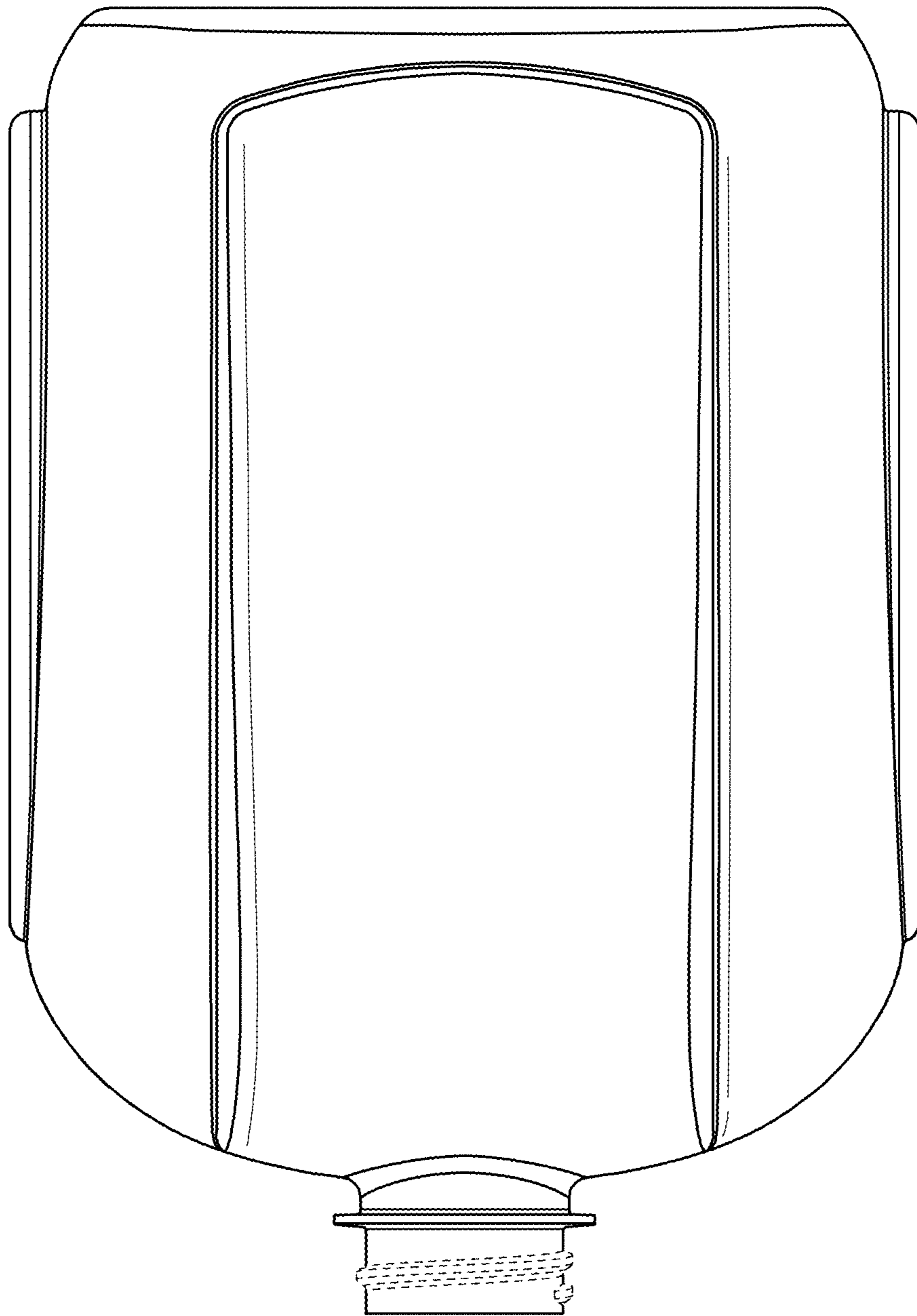


FIG. 2

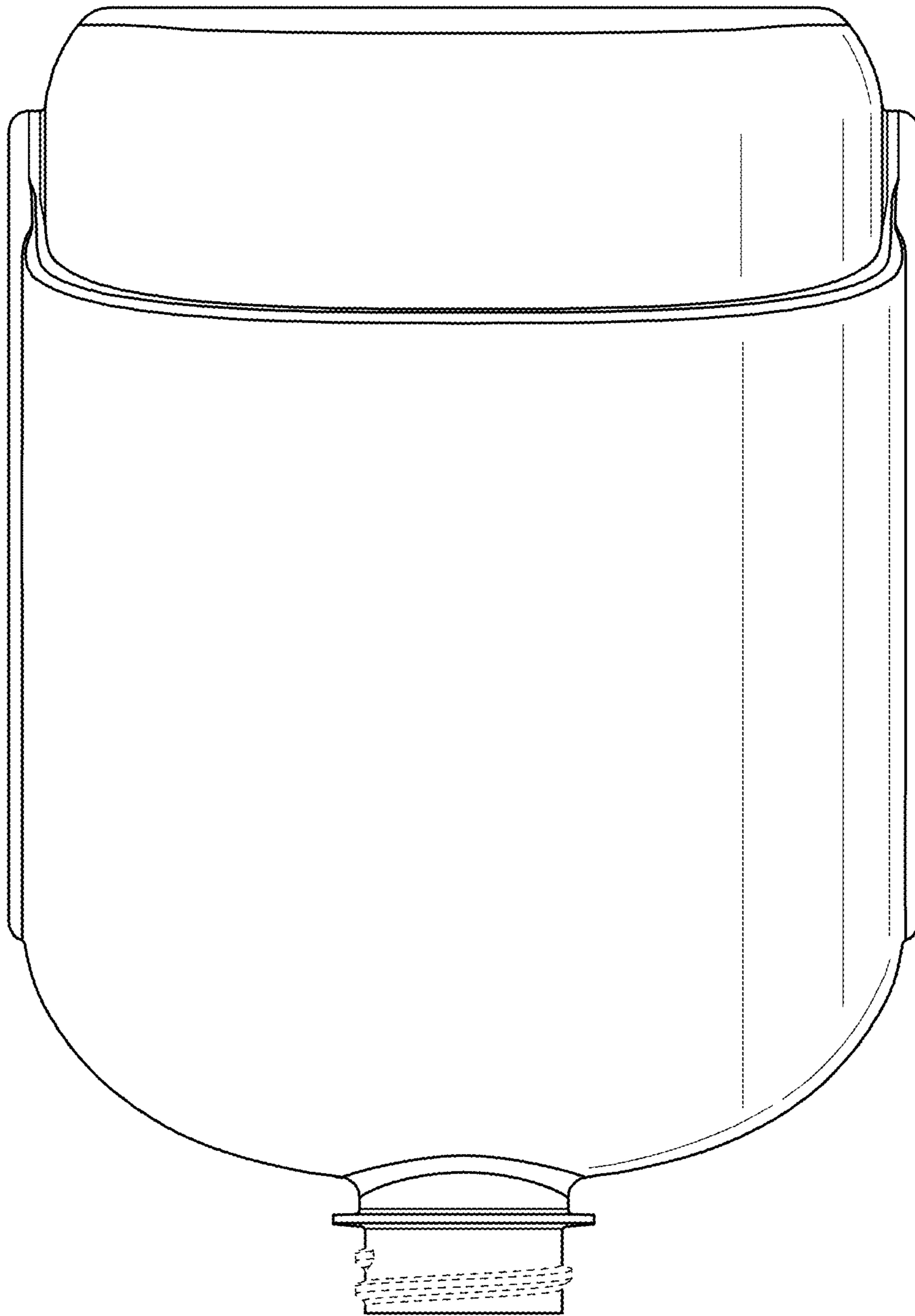


FIG. 3



FIG. 4

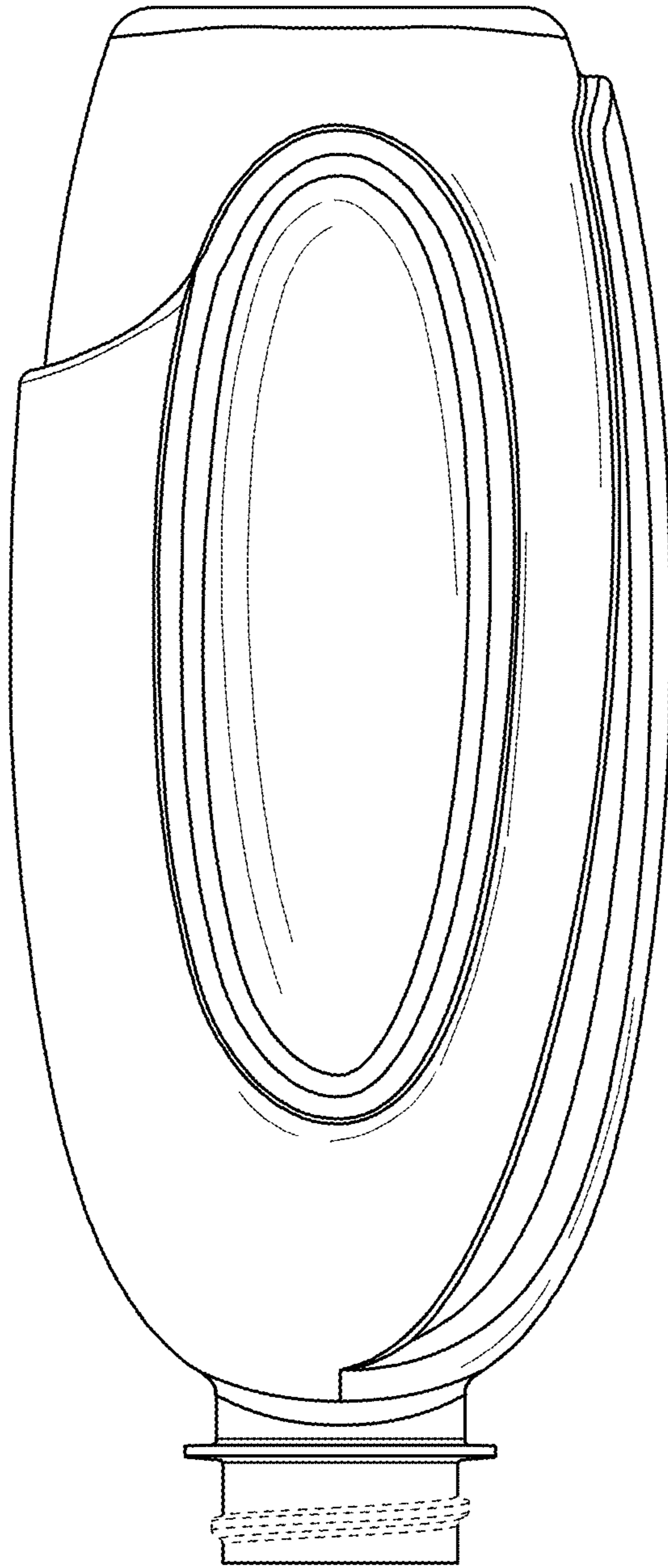


FIG. 5

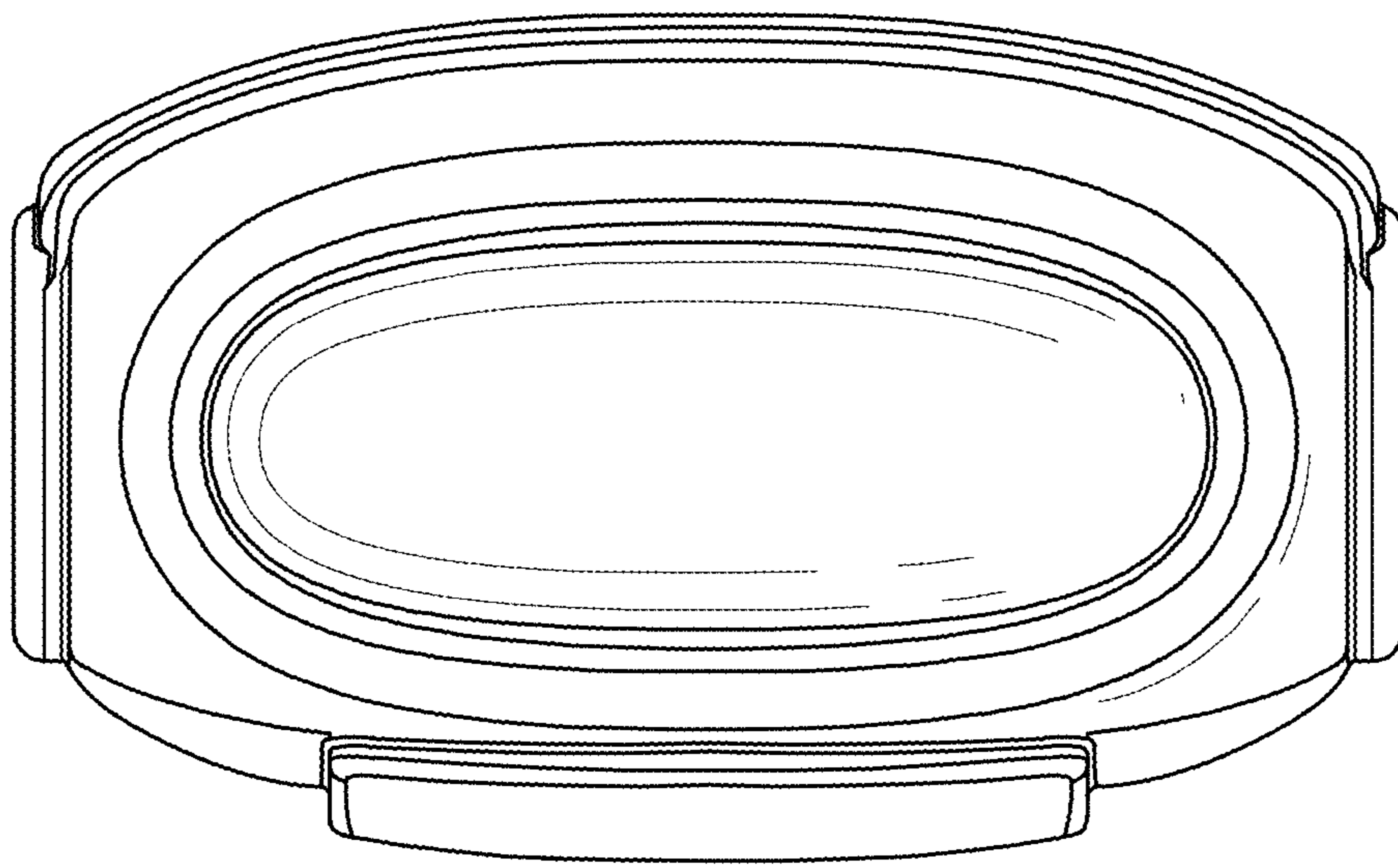


FIG. 6

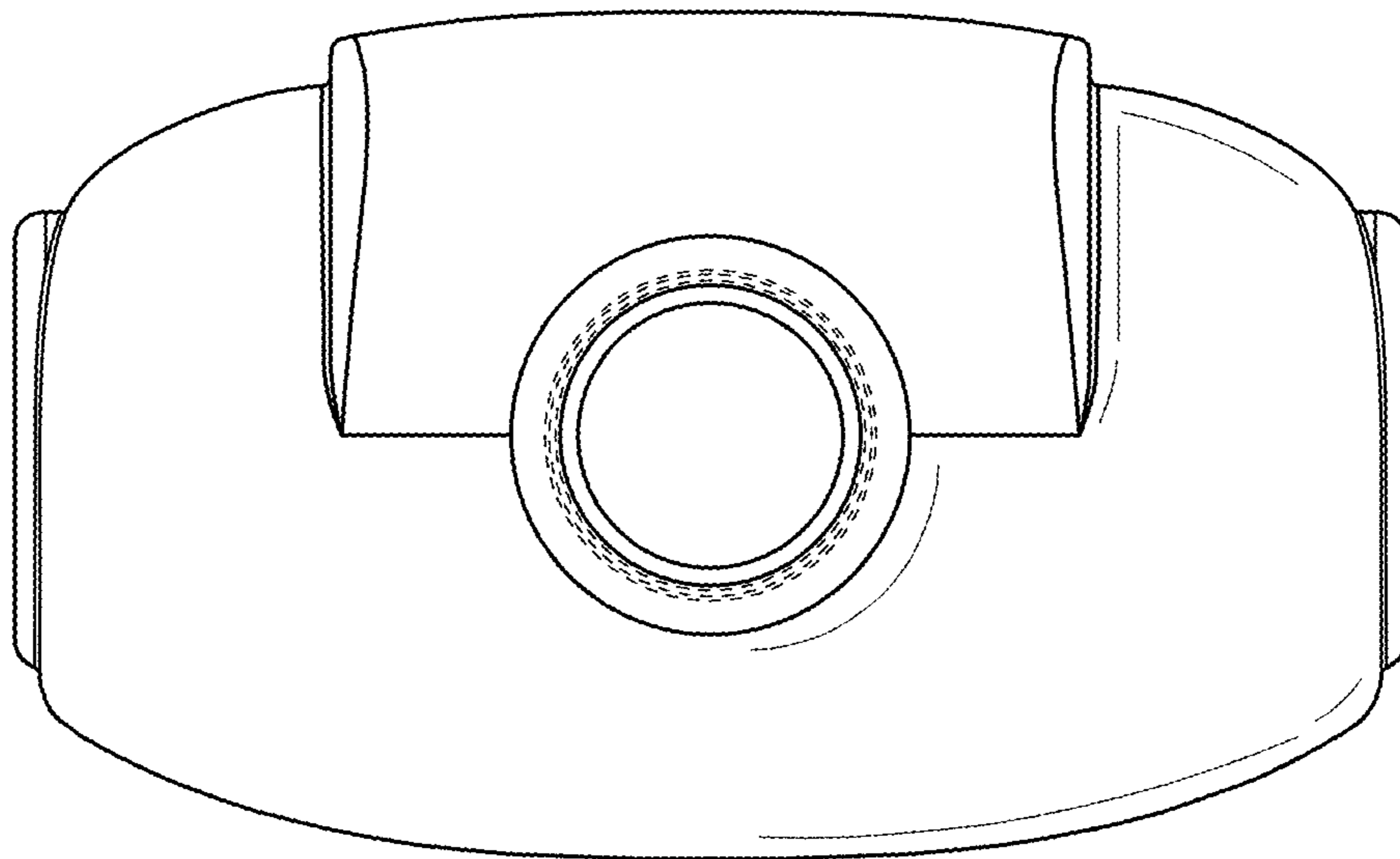


FIG. 7

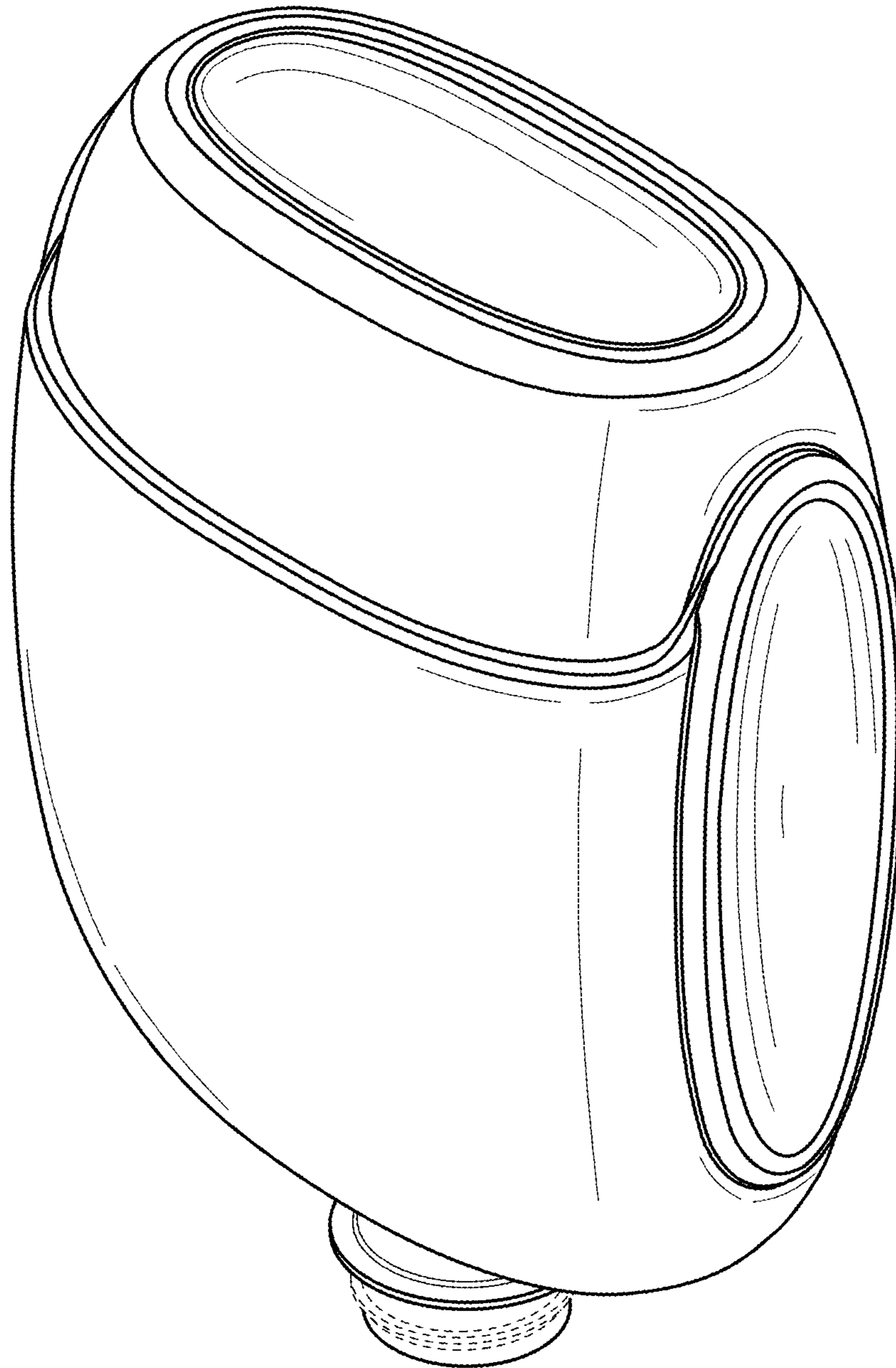


FIG. 8

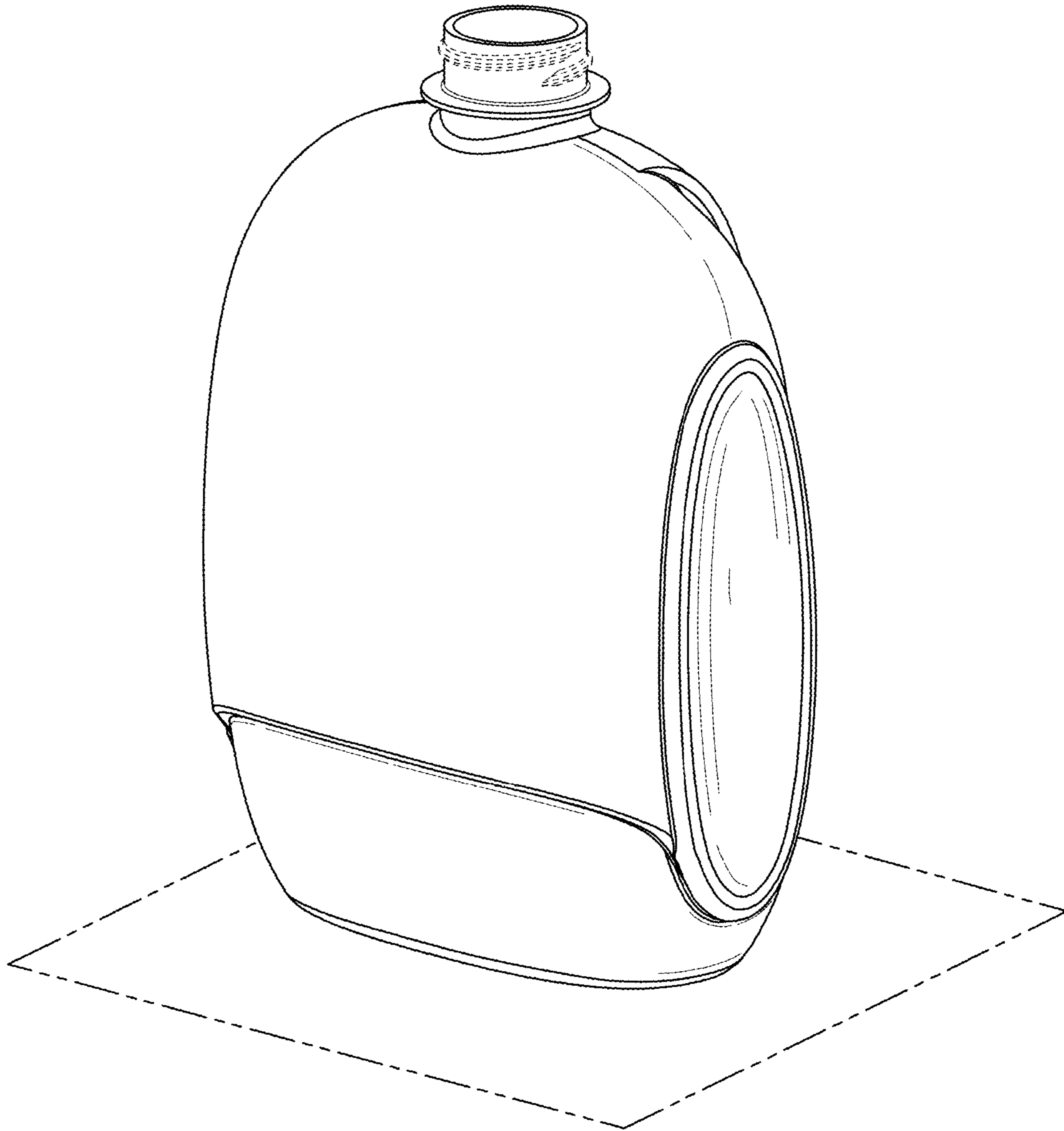


FIG. 9